



US00D928269S

(12) **United States Design Patent**
Cheng et al.

(10) **Patent No.:** **US D928,269 S**

(45) **Date of Patent:** **** Aug. 17, 2021**

(54) **TARGET**

(71) Applicants: **Qilin Cheng**, Yangchun (CN); **Chao Qiu**, Shantou (CN)

(72) Inventors: **Qilin Cheng**, Yangchun (CN); **Chao Qiu**, Shantou (CN)

(**) Term: **15 Years**

(21) Appl. No.: **29/762,116**

(22) Filed: **Dec. 15, 2020**

(51) **LOC (13) Cl.** **22-04**

(52) **U.S. Cl.**
USPC **D22/113**

(58) **Field of Classification Search**
USPC D22/113; D21/302, 790
CPC F41J 1/10; F41J 5/14; F41J 1/00; F41J 3/0004

See application file for complete search history.

(56) **References Cited**

U.S. PATENT DOCUMENTS

2,538,118	A *	1/1951	Miller	F41J 1/10 273/407
2,958,500	A *	11/1960	Saunders	F41J 3/0004 248/351
3,164,384	A *	1/1965	Stewart	F41J 3/0004 273/403
3,367,660	A *	2/1968	Di Maggio	F41J 3/0004 273/404
D453,038	S	1/2002	Scott		
7,401,785	B1 *	7/2008	Waite	A63B 63/00 273/400

D655,756	S	3/2012	Robertson		
D712,003	S	8/2014	Bailey		
D746,938	S	1/2016	Thomson et al.		
D841,759	S	2/2019	Thompson		
D856,462	S	8/2019	Wilson		
D860,376	S	9/2019	Boso		
D867,457	S *	11/2019	Sweeney	D21/303
D872,181	S *	1/2020	Engler	D21/302
D872,182	S *	1/2020	Engler	D21/302
2002/0125645	A1 *	9/2002	Baker	F41J 1/10 273/407
2015/0184984	A1	7/2015	Johnson et al.		

* cited by examiner

Primary Examiner — Michael A. Pratt

(74) *Attorney, Agent, or Firm* — Xiaofang Zhong; Law Office of Xiaofang Zhong, PLLC

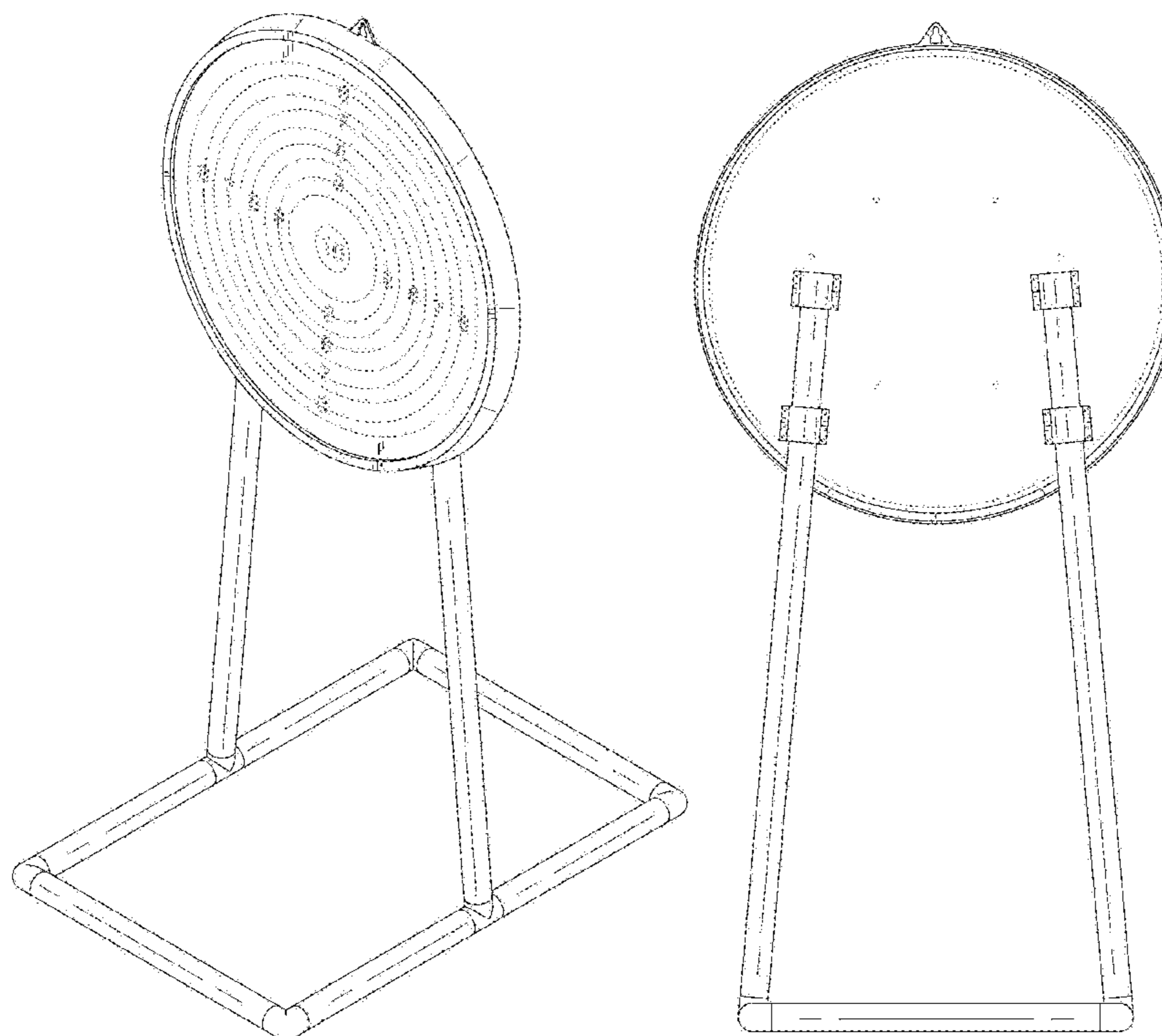
(57) **CLAIM**

The ornamental design for a target, as shown and described.

DESCRIPTION

FIG. 1 is a top perspective view seen from top and front of a target showing my new design;
FIG. 2 is a front elevational view thereof;
FIG. 3 is a back elevational view thereof;
FIG. 4 is a left-side elevational view thereof;
FIG. 5 is a right-side elevational view thereof;
FIG. 6 is a top plan view thereof; and,
FIG. 7 is a bottom plan view thereof.
The broken lines in the drawings depict part of the target that form no part of the claimed design.

1 Claim, 7 Drawing Sheets



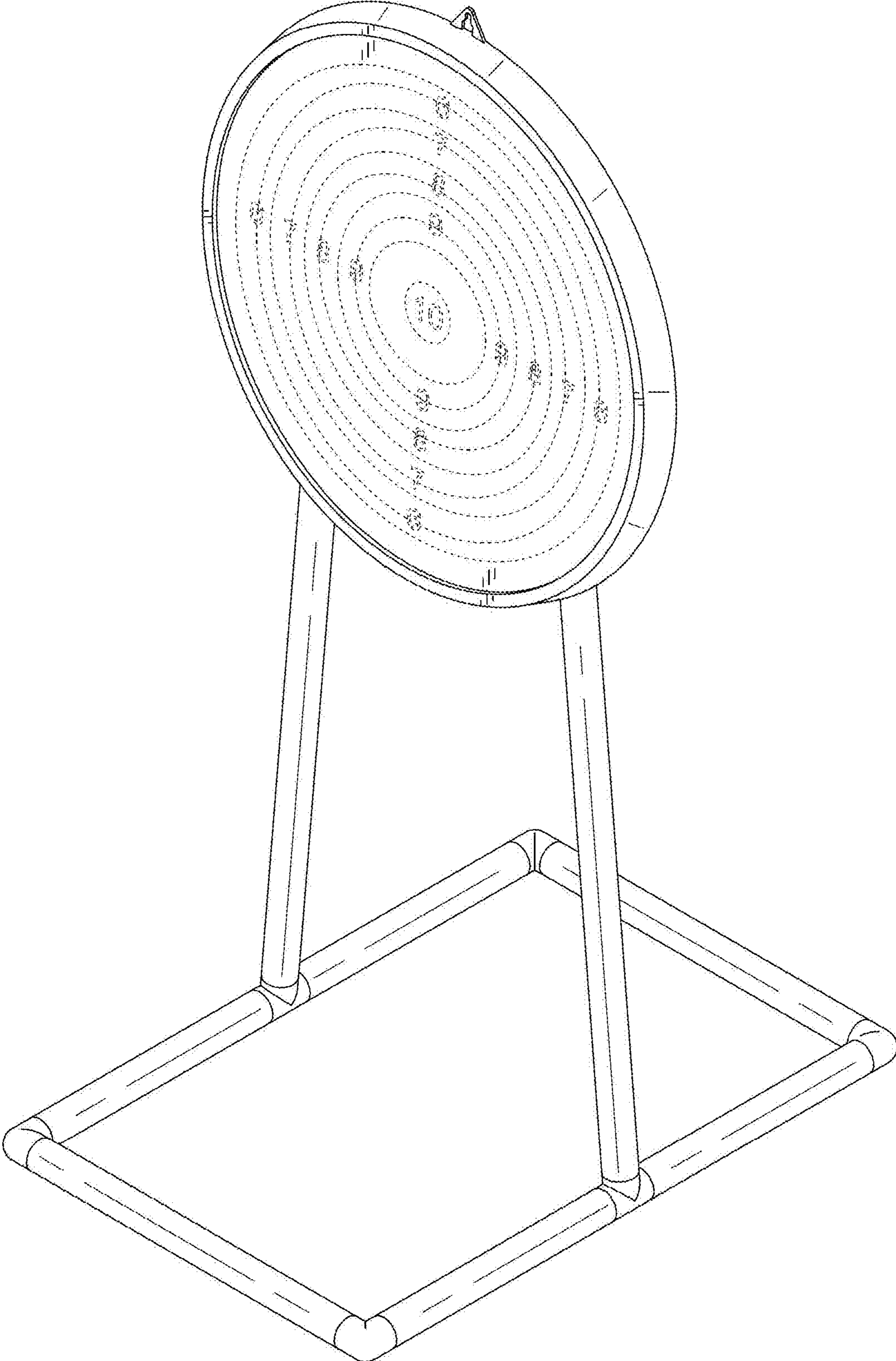


FIG. 1

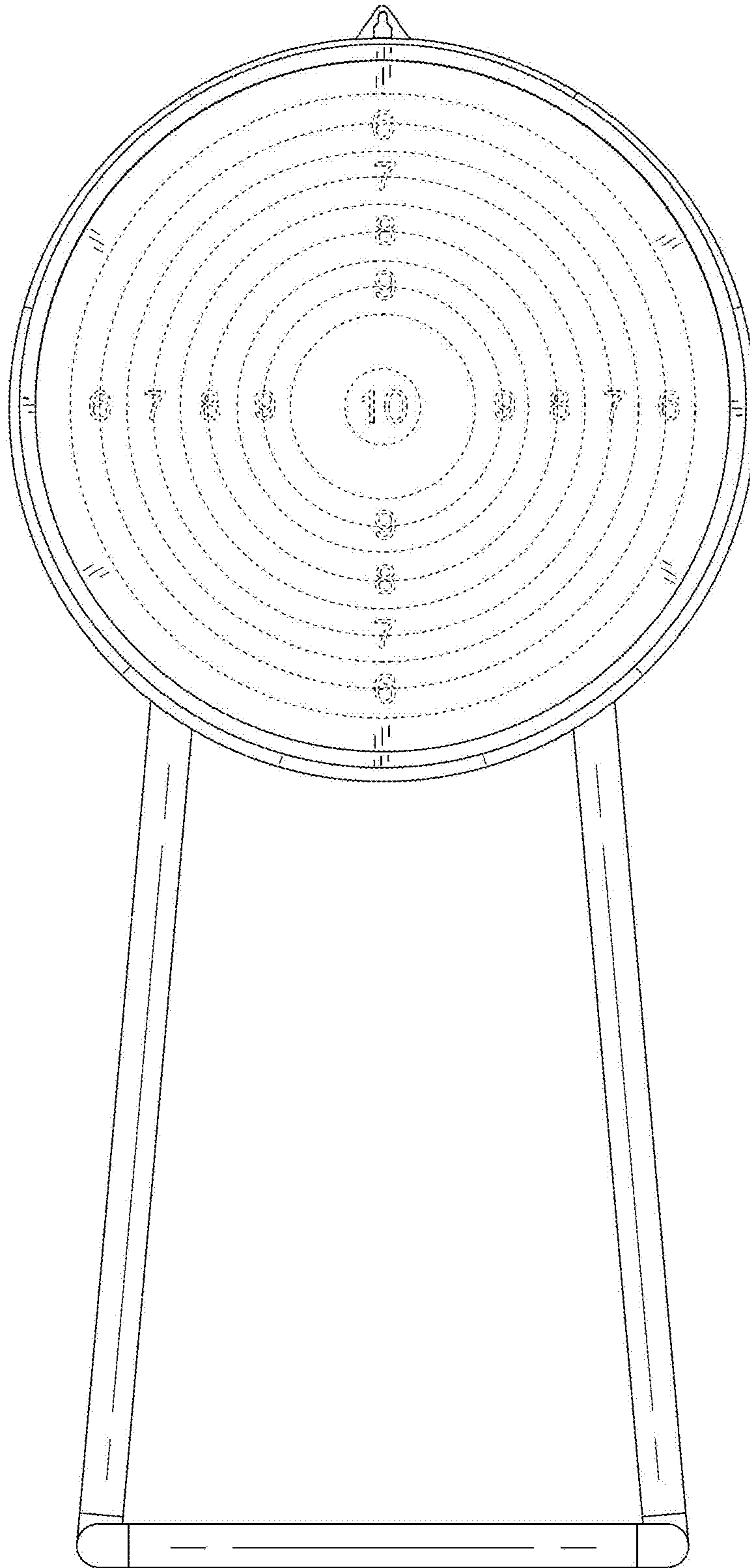


FIG. 2

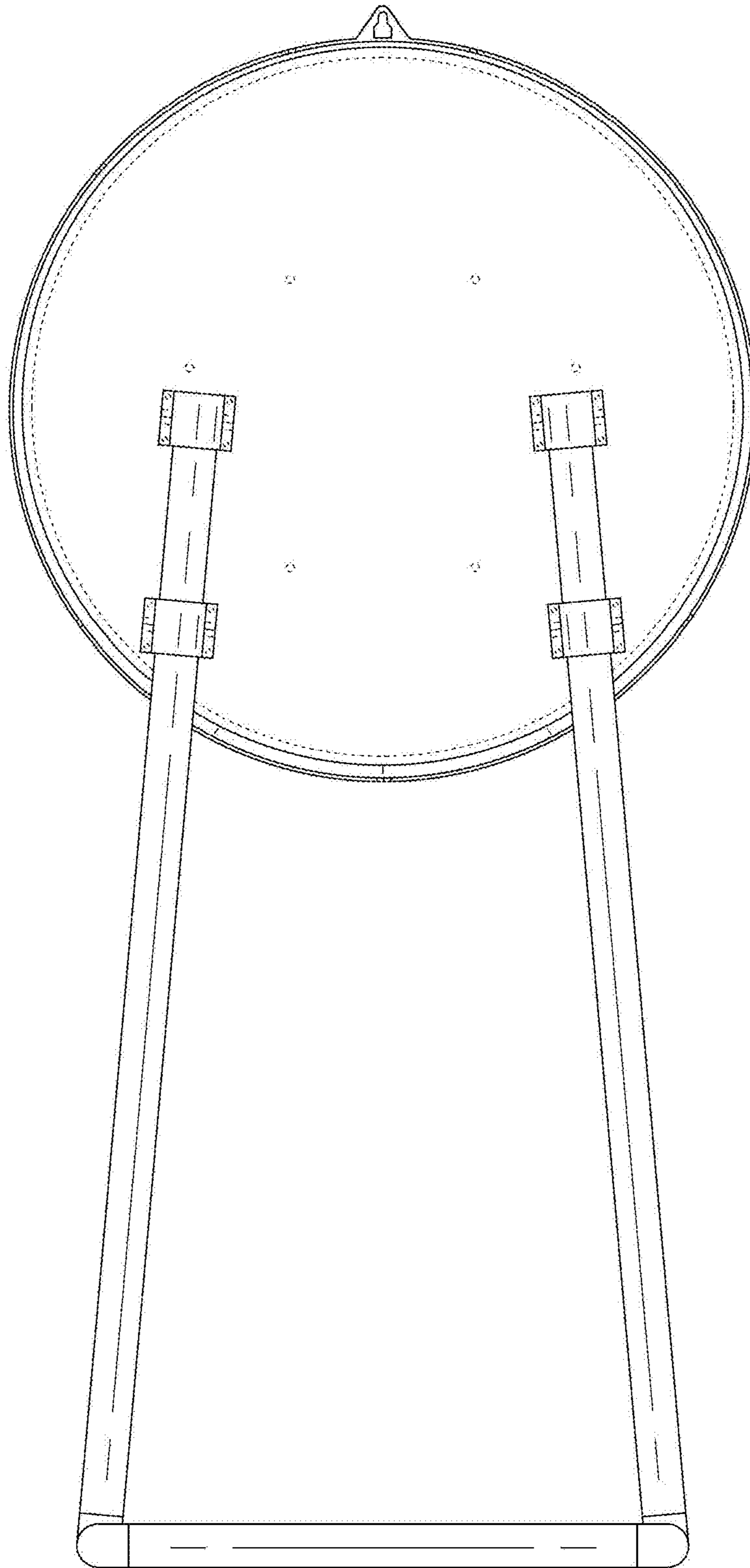


FIG. 3

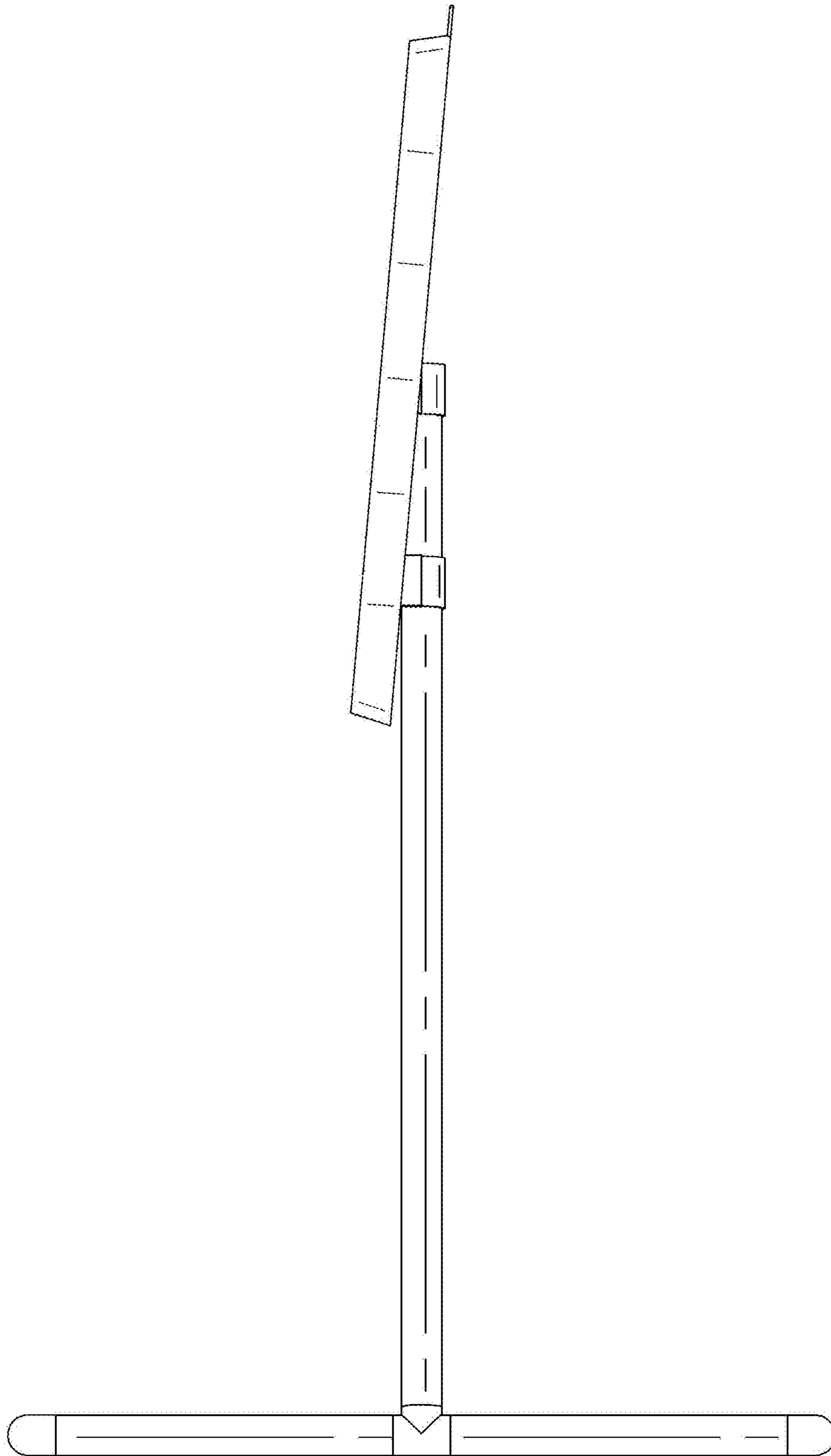


FIG. 4

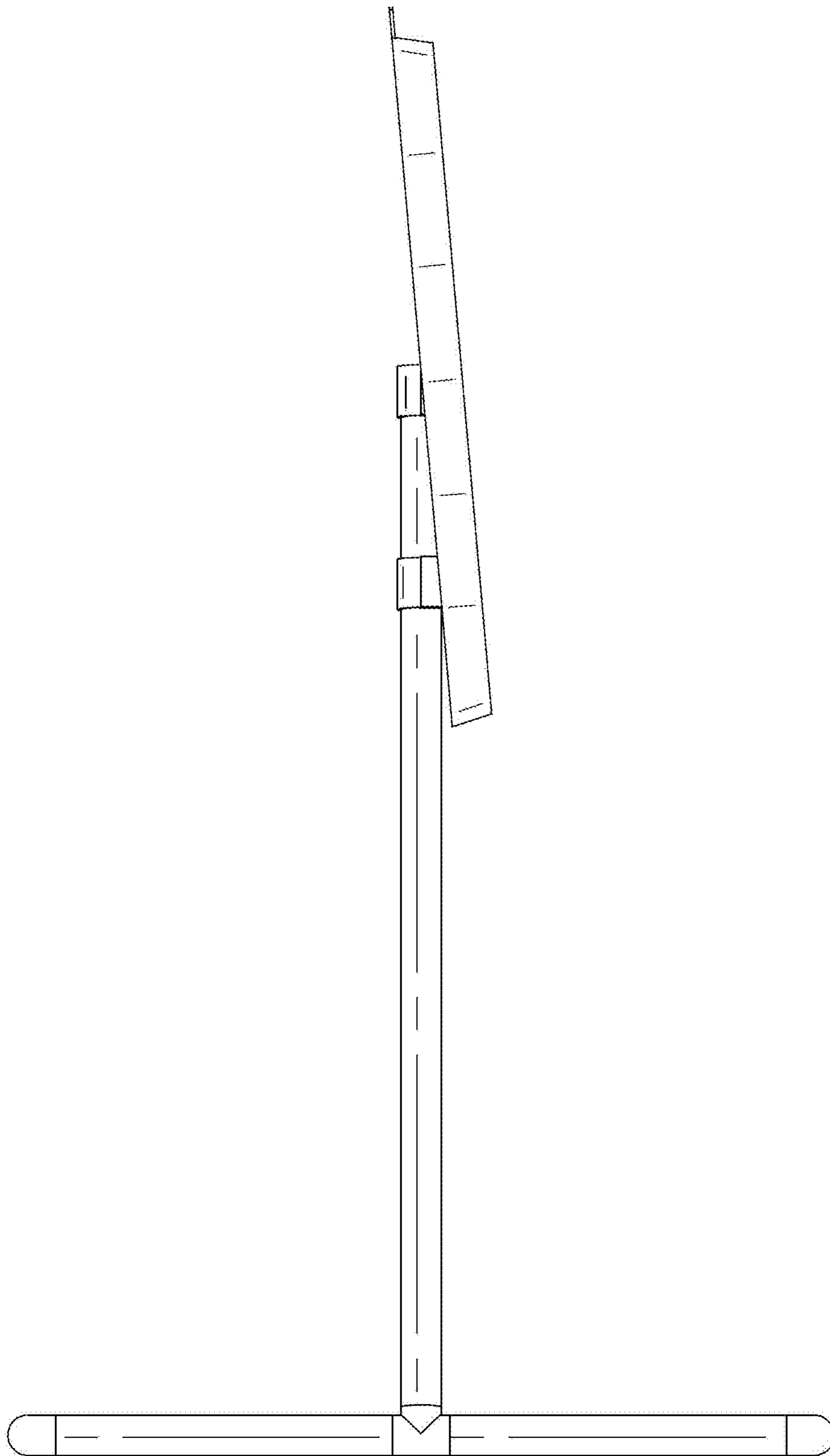


FIG. 5

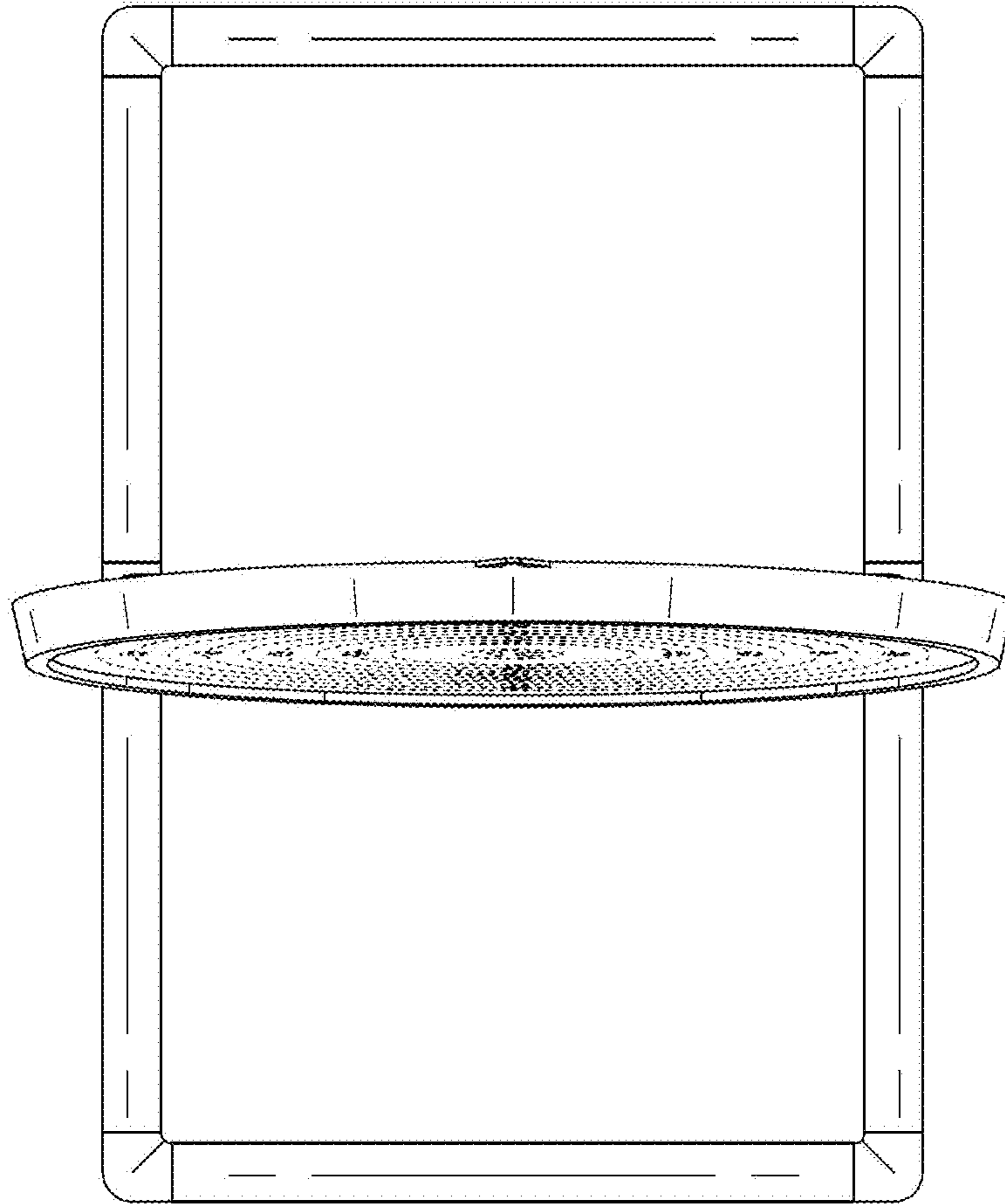


FIG. 6

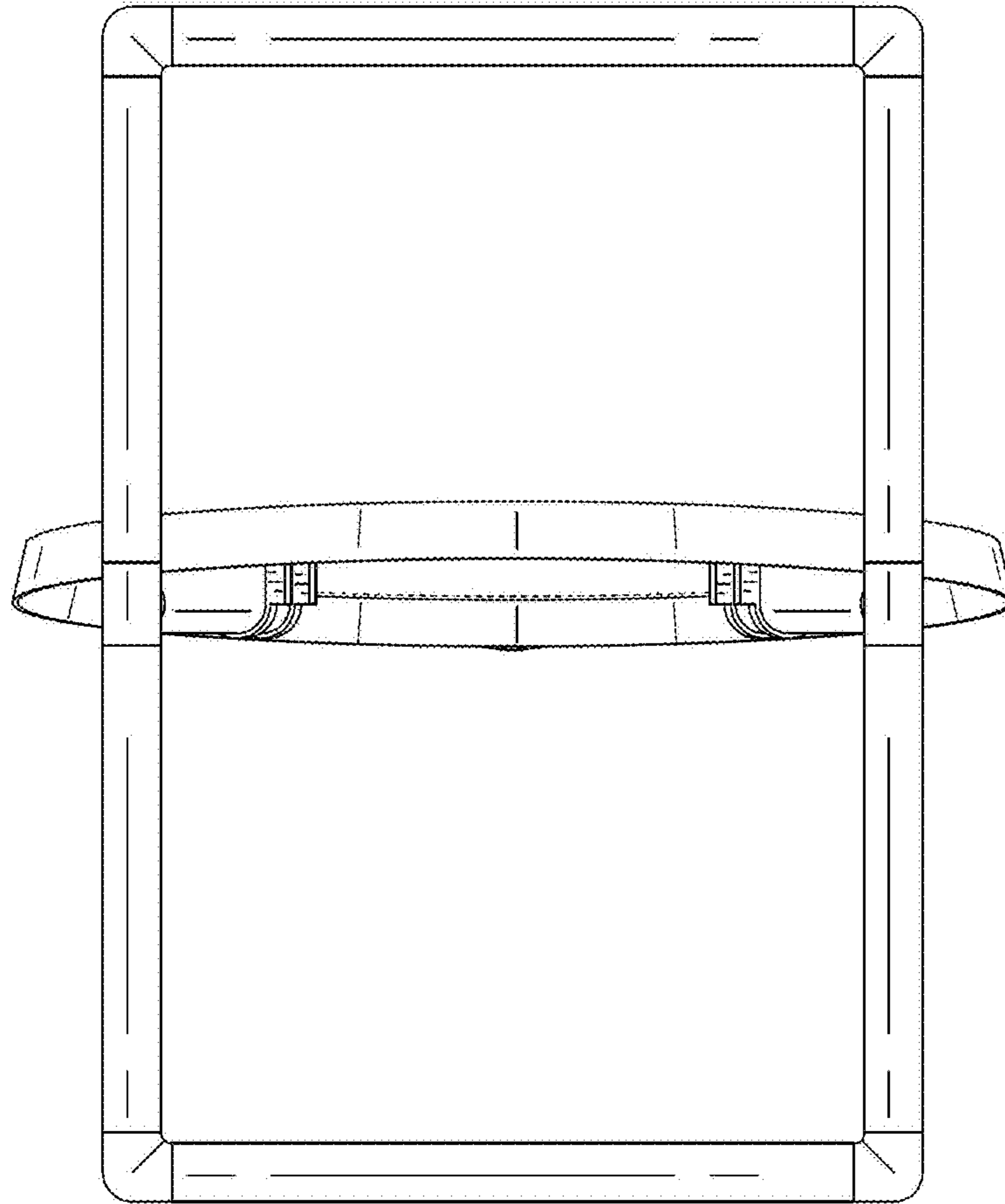


FIG. 7