



US00D928267S

(12) **United States Design Patent**
Zhang et al.

(10) **Patent No.:** **US D928,267 S**

(45) **Date of Patent:** **** Aug. 17, 2021**

(54) **SWIMMING ASSISTANCE DEVICE**

(71) Applicant: **Shenzhen Hoverstar Flight Technology Co., LTD.,** Shenzhen (CN)

(72) Inventors: **Yiming Zhang,** Shenzhen (CN); **Yihua Liu,** Shenzhen (CN)

(73) Assignee: **SHENZHEN HOVERSTAR FLIGHT TECHNOLOGY CO., LTD.,** Shenzhen (CN)

(**) Term: **15 Years**

(21) Appl. No.: **29/717,876**

(22) Filed: **Dec. 19, 2019**

(51) **LOC (13) Cl.** **21-02**

(52) **U.S. Cl.**
USPC **D21/803; D29/124**

(58) **Field of Classification Search**
USPC D6/392, 595–596, 601, 604–605;
D12/5–6, 300, 308, 316–317;
D21/769–770, 801, 803, 809; D29/124
CPC B63B 35/58; B63B 35/73; B63B 35/76;
B63B 35/79
See application file for complete search history.

(56) **References Cited**

U.S. PATENT DOCUMENTS

4,439,165	A	*	3/1984	Rothstein	B63B 32/50 441/74
D377,072	S	*	12/1996	Ilejay	D21/769
D447,529	S	*	9/2001	Fireman	D12/11
D466,175	S	*	11/2002	Katz	D21/769
D597,160	S	*	7/2009	Nakamura	D21/769
D628,667	S	*	12/2010	McCarthy	D21/769
D635,213	S	*	3/2011	Hunter	D21/769
D638,897	S	*	5/2011	Parsia	D21/769
D686,683	S	*	7/2013	Sanchez	D21/769

D697,568	S	*	1/2014	Svendsen	D21/769
D711,995	S	*	8/2014	Hudson	D21/769
D718,400	S	*	11/2014	Swift	D21/769
D731,016	S	*	6/2015	Scott	D21/769

OTHER PUBLICATIONS

“Sharki Motorized Swimming Kickboard for Children” Oct. 31, 2020 , site visited Mar. 27, 2021: <https://web.archive.org/web/20201031092830/https://store.havospark.com/collections/frontpage/products/sharki> (Year: 2020).*

* cited by examiner

Primary Examiner — Michael C Stout

Assistant Examiner — Melvin L Davis

(74) *Attorney, Agent, or Firm* — Shimokaji IP

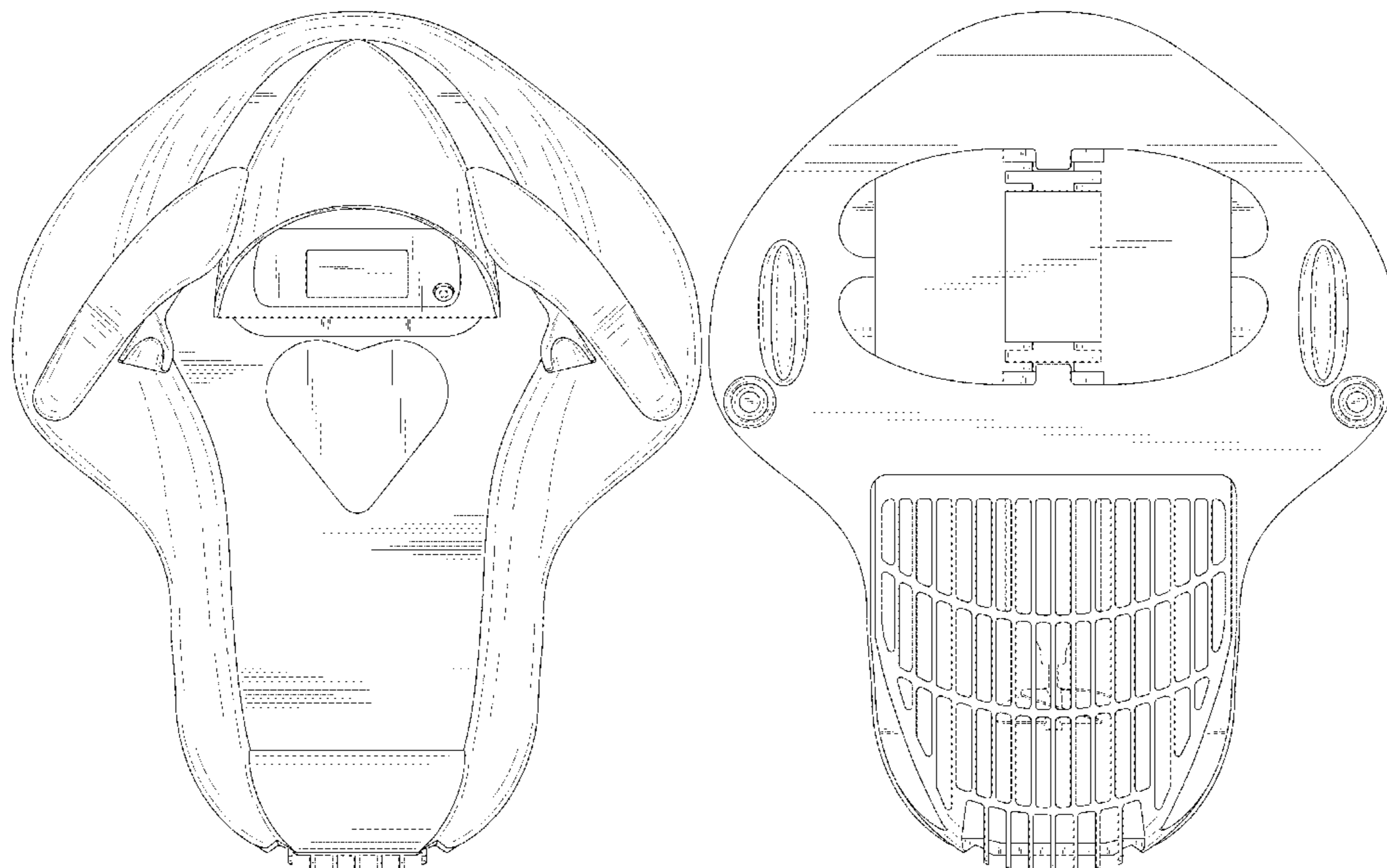
(57) **CLAIM**

The ornamental design for a swimming assistance device, as shown and described.

DESCRIPTION

FIG. 1 is a front elevation view of a swimming assistance device according to a first embodiment; FIG. 2 is a rear elevation view thereof; FIG. 3 is a left side elevation view thereof; FIG. 4 is a right side elevation view thereof; FIG. 5 is a top plan view thereof; FIG. 6 is a bottom plan view thereof; FIG. 7 is a first perspective view thereof; and, FIG. 8 is a second perspective view thereof. The broken lines showing of the swimming assistance device is for the purpose of illustrating portions of the article that forms no part of the claimed design.

1 Claim, 7 Drawing Sheets



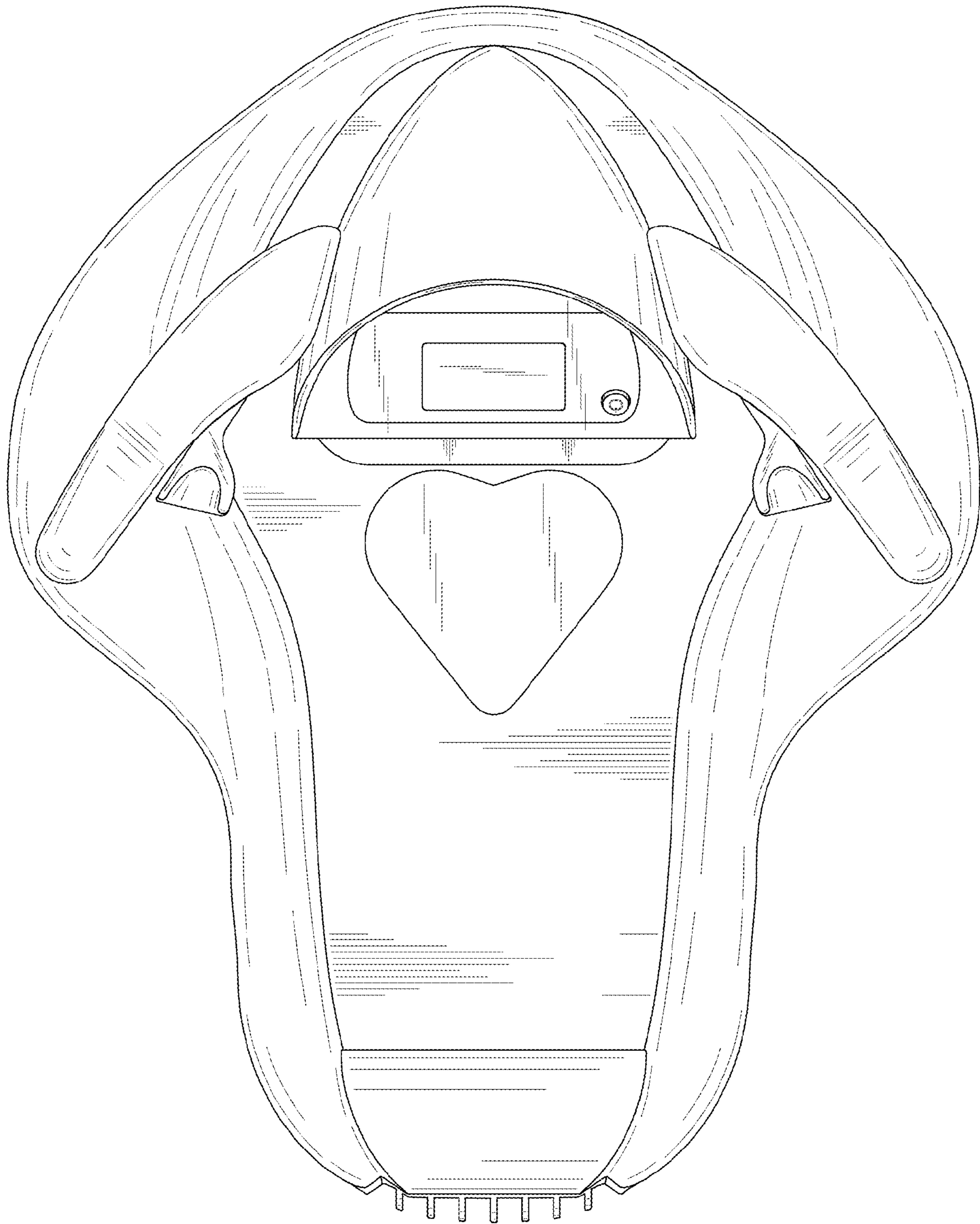


FIG.1

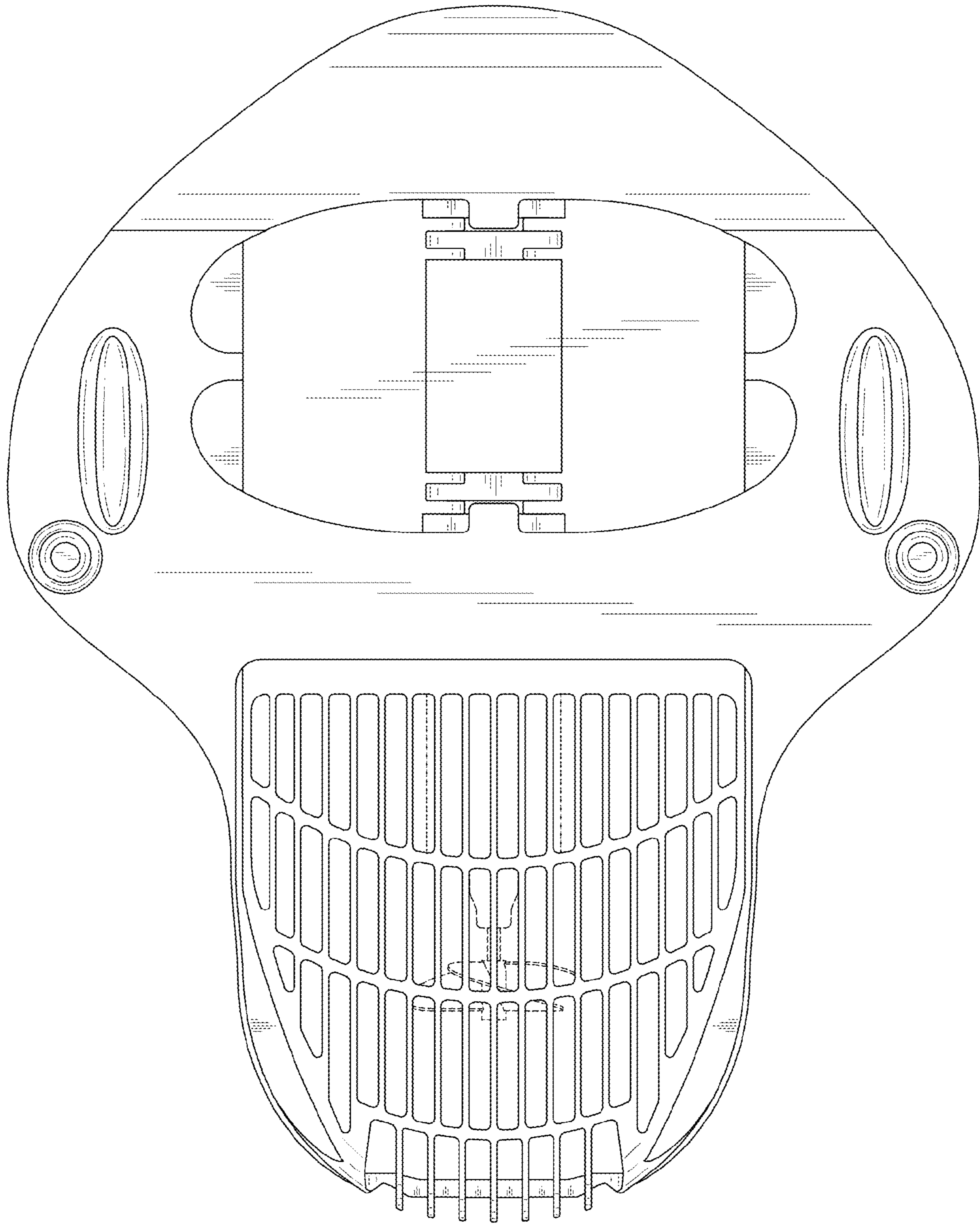


FIG.2

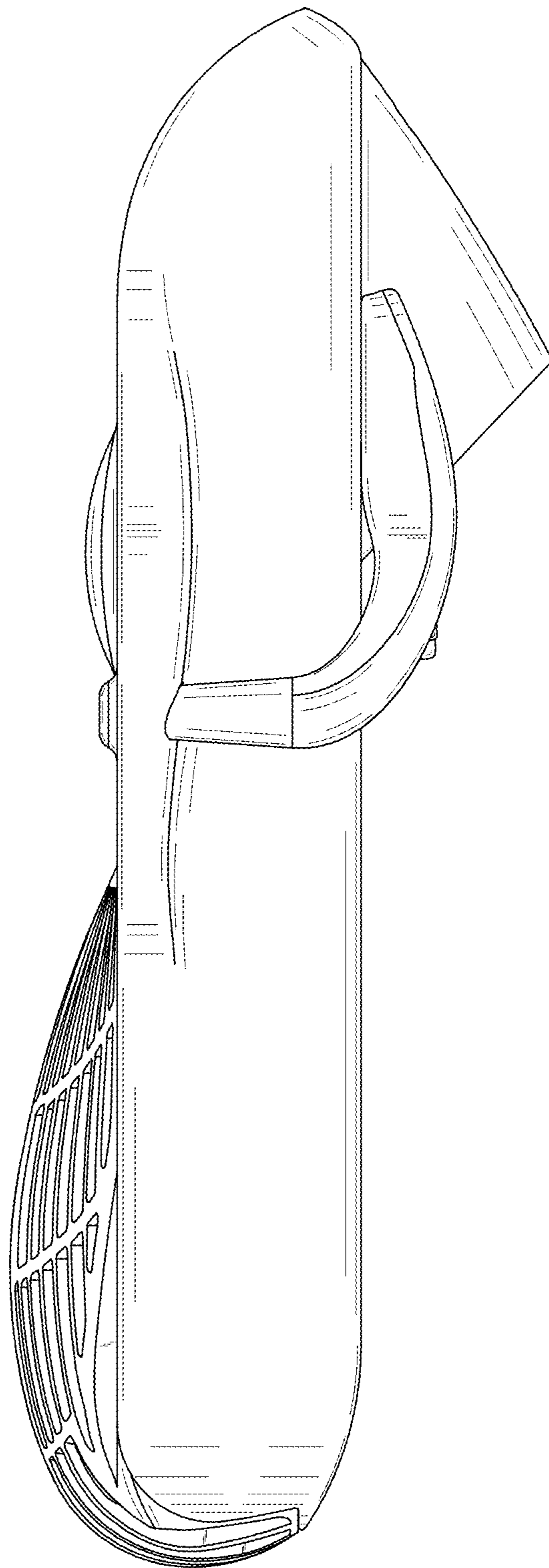


FIG.3

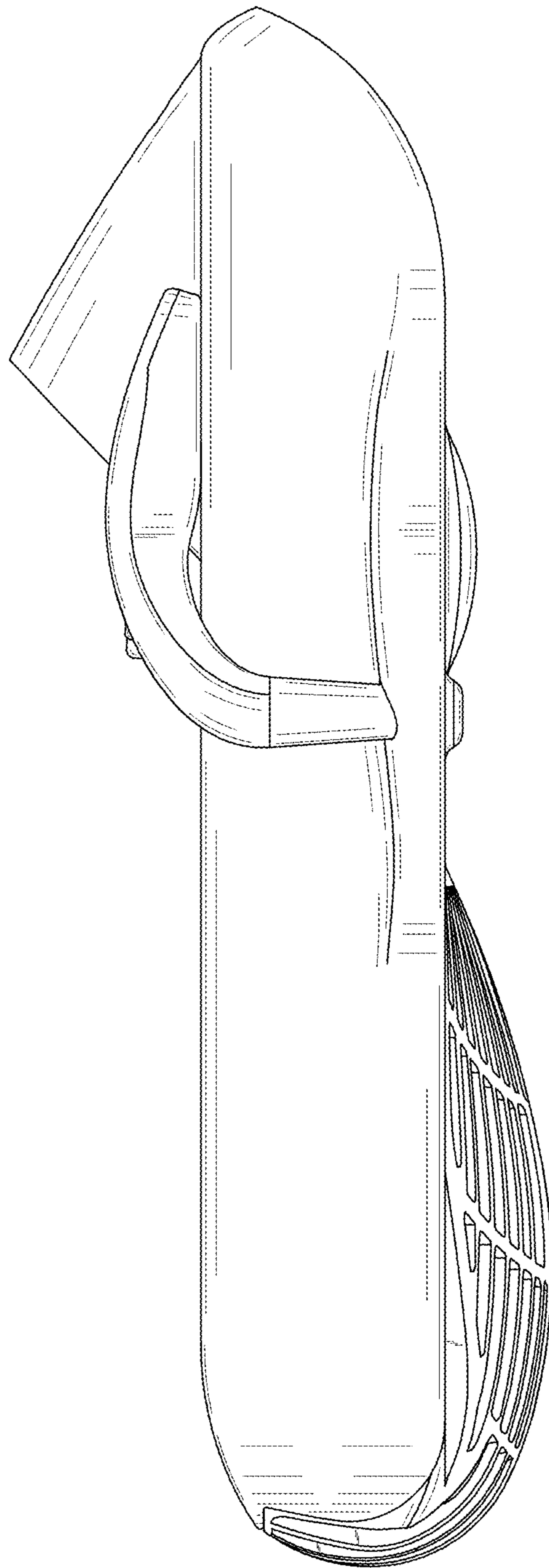


FIG.4

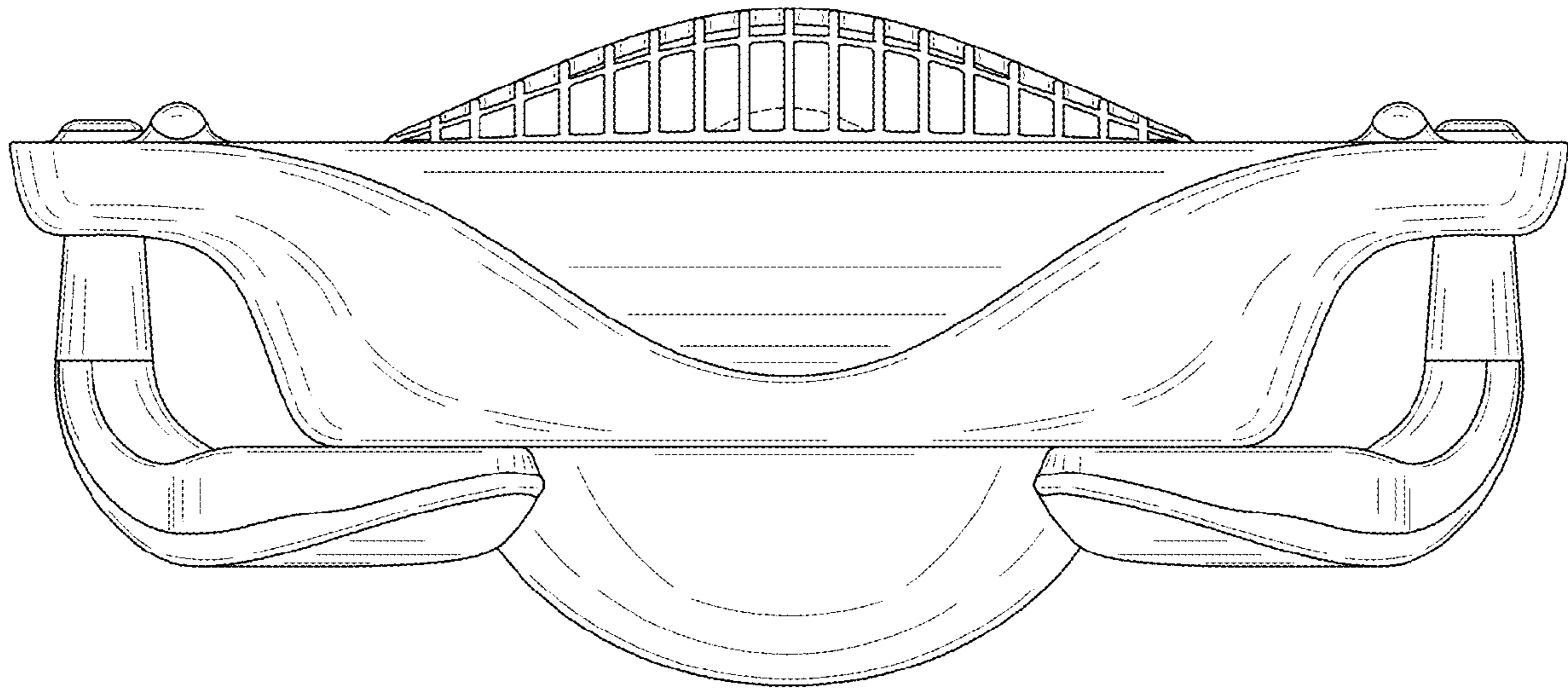


FIG.5

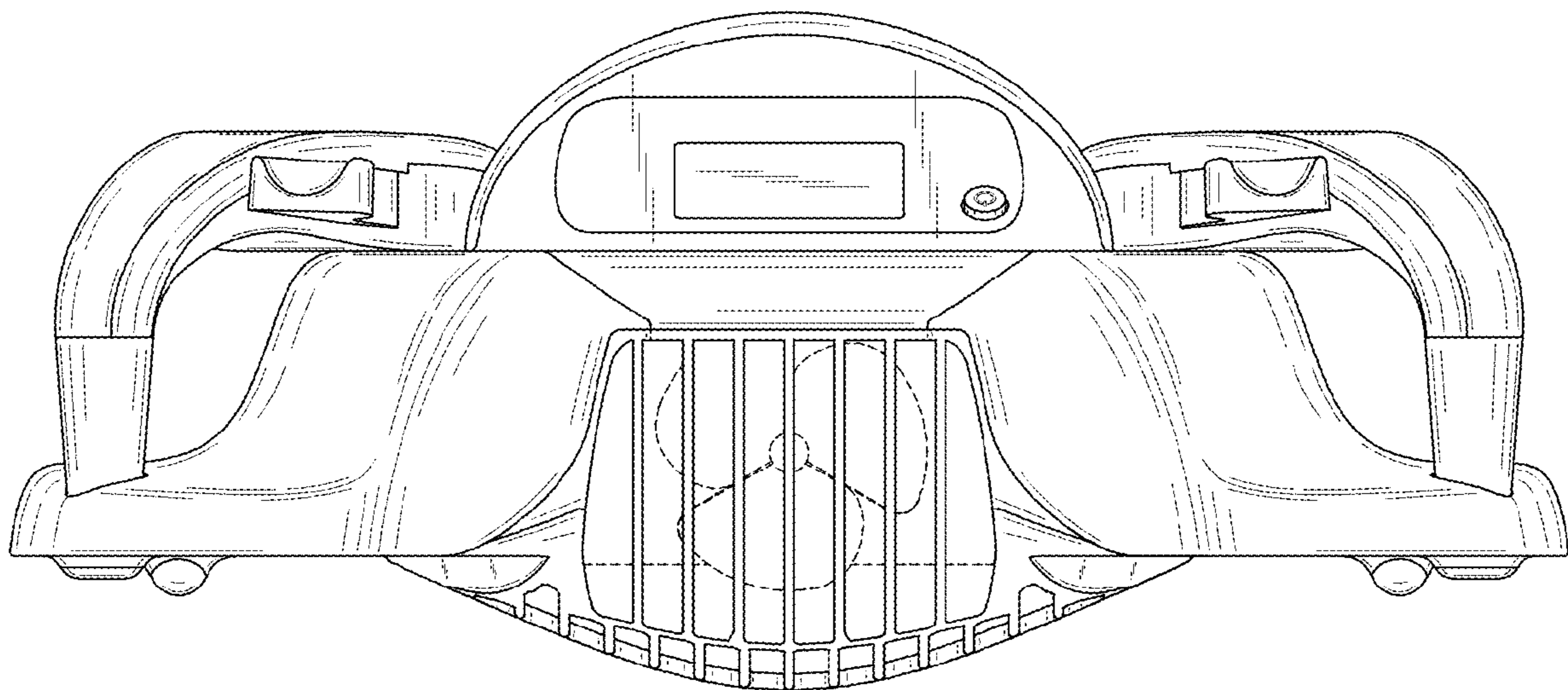


FIG.6

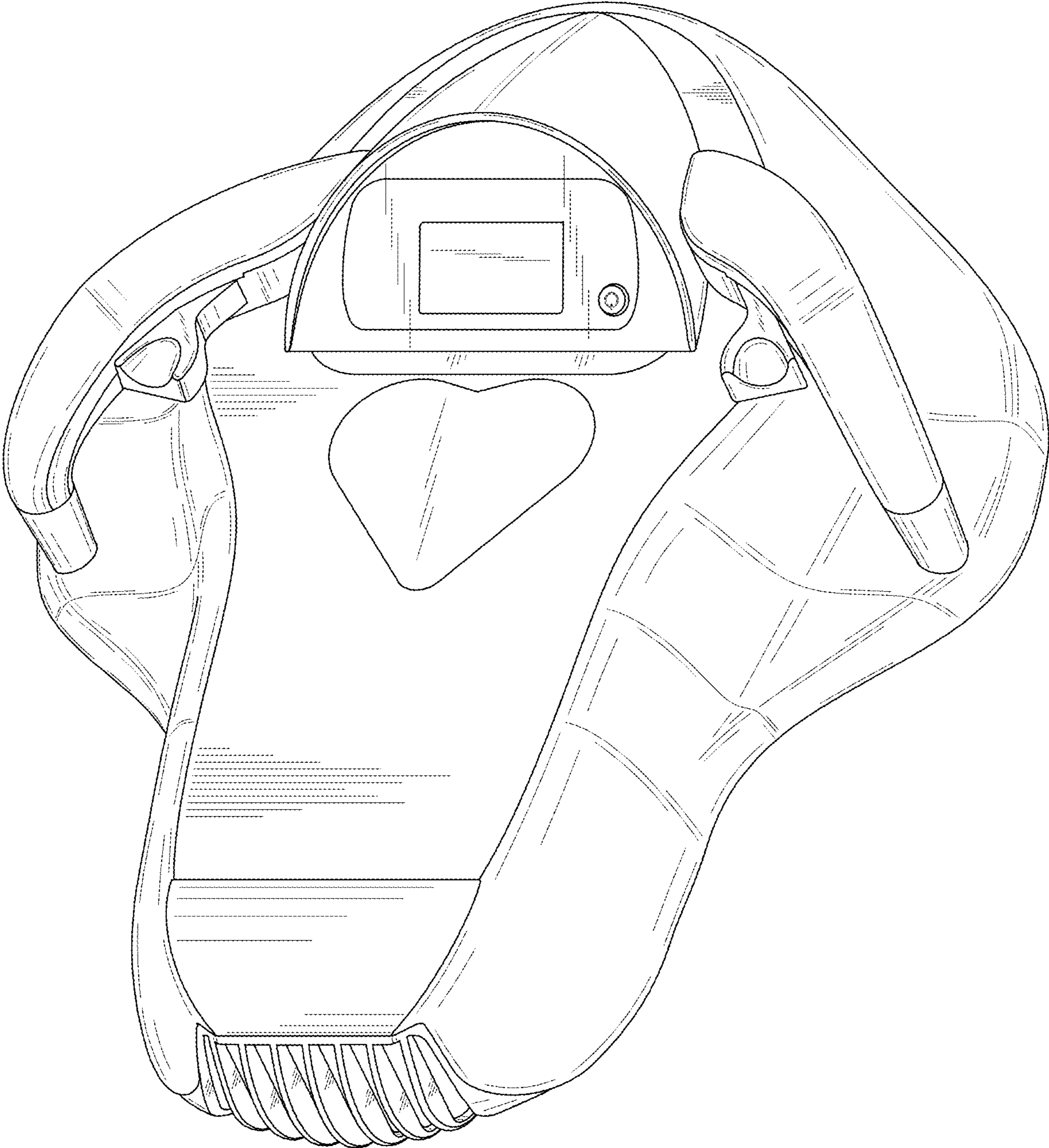


FIG.7

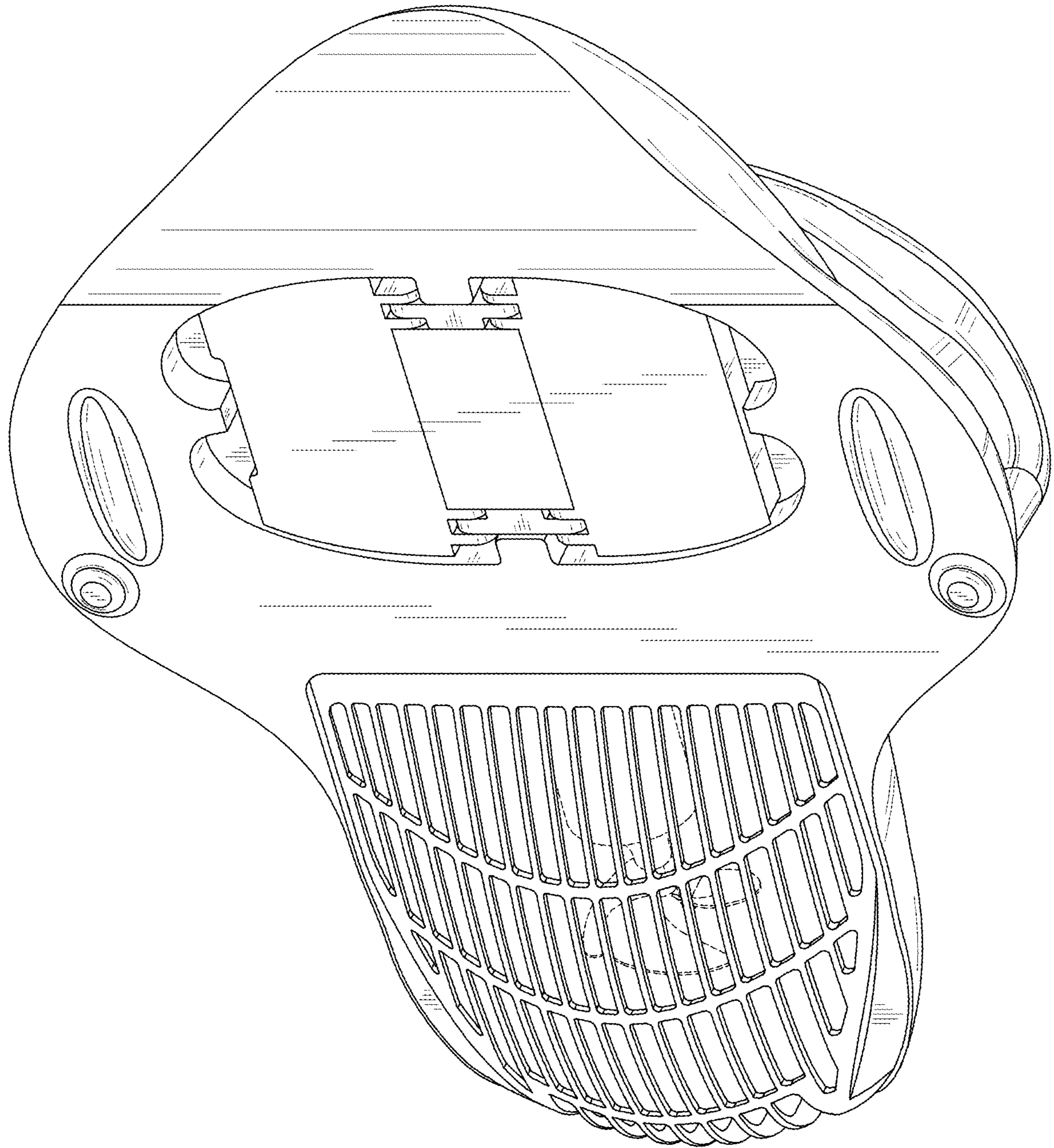


FIG.8