



US00D928265S

(12) **United States Design Patent**
Gilkison

(10) **Patent No.:** **US D928,265 S**

(45) **Date of Patent:** **** Aug. 17, 2021**

- (54) **GOLF BALL MARKER**
- (71) Applicant: **Andrew David Gilkison**, Encinitas, CA (US)
- (72) Inventor: **Andrew David Gilkison**, Encinitas, CA (US)
- (73) Assignee: **Andrew David Gilkison**, Encinitas, CA (US)
- (**) Term: **15 Years**
- (21) Appl. No.: **29/694,747**
- (22) Filed: **Jun. 13, 2019**
- (51) **LOC (13) Cl.** **21-02**
- (52) **U.S. Cl.**
USPC **D21/794**
- (58) **Field of Classification Search**
USPC D21/789, 793, 794, 386
CPC A63B 57/353; A63B 57/207; A63B 57/00;
A63B 57/30; A63B 57/35; A63B 57/50
See application file for complete search history.

(56) **References Cited**

U.S. PATENT DOCUMENTS

- 1,315,411 A * 9/1919 Ray H04R 7/20
181/172
- 1,454,913 A * 5/1923 Tigerstedt H04R 7/00
181/171
- D286,399 S * 10/1986 Willy D14/222

- D319,862 S * 9/1991 Lahger D21/794
- 5,624,121 A * 4/1997 Stern A63F 9/0252
273/290
- D619,505 S * 7/2010 Thoma D12/108
- D762,799 S * 8/2016 Polete D21/794
- D802,589 S * 11/2017 Fisher D14/358
- D876,552 S * 2/2020 Aranda D21/443
- D908,181 S * 1/2021 Szots D21/794

* cited by examiner

Primary Examiner — Mitchell I. Siegel

(57) **CLAIM**

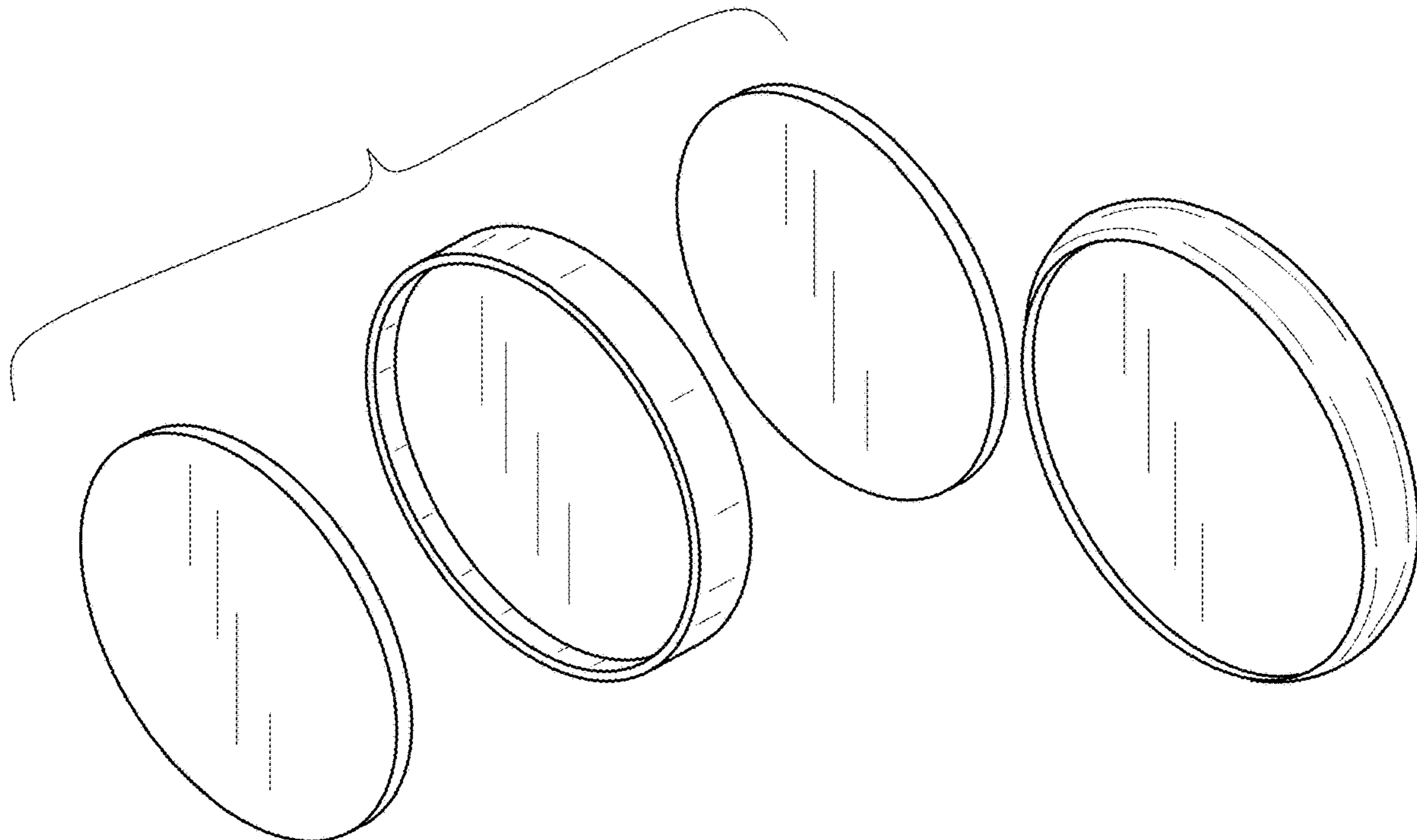
The ornamental design for a golf ball marker, as shown and described.

DESCRIPTION

FIG. 1 is an exploded perspective view of the golf ball marker of the present invention;
 FIG. 2 is a top plan view thereof;
 FIG. 3 is a bottom plan view thereof;
 FIG. 4 is an end elevational view thereof;
 FIG. 5 is an enlarged sectional view of the assembled ball marker taken along line 5-5 of FIG. 2;
 FIG. 6 is a front perspective view of the assembled ball marker of FIG. 1; and,
 FIG. 7 is a rear perspective view of the assembled ball marker shown in FIG. 6.

A golf ball marker for use by a golfer in designating the location where his golf ball is to be placed on a green when the ball is removed from that location so as not interfere with the play of others.

1 Claim, 2 Drawing Sheets



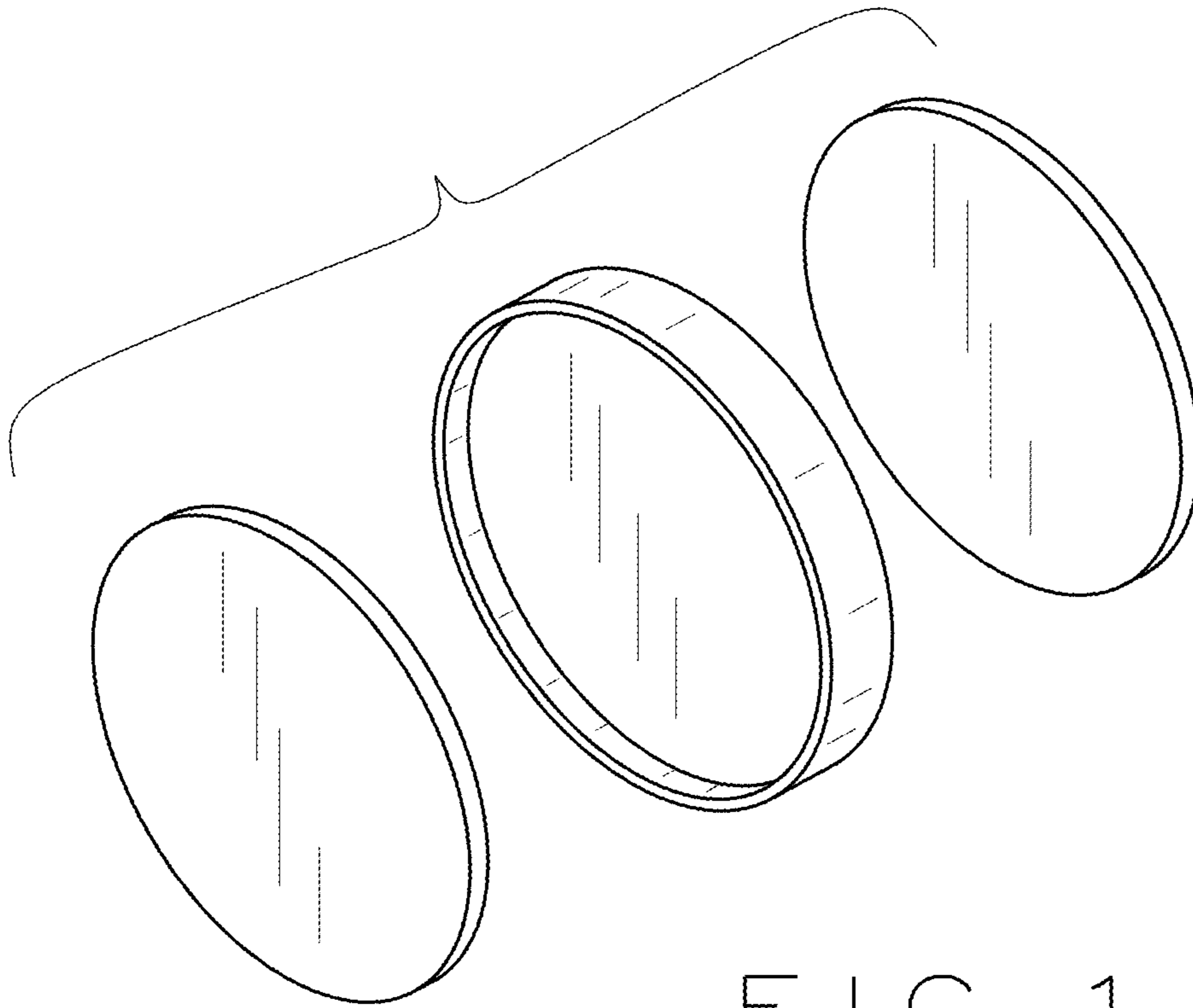


FIG. 1

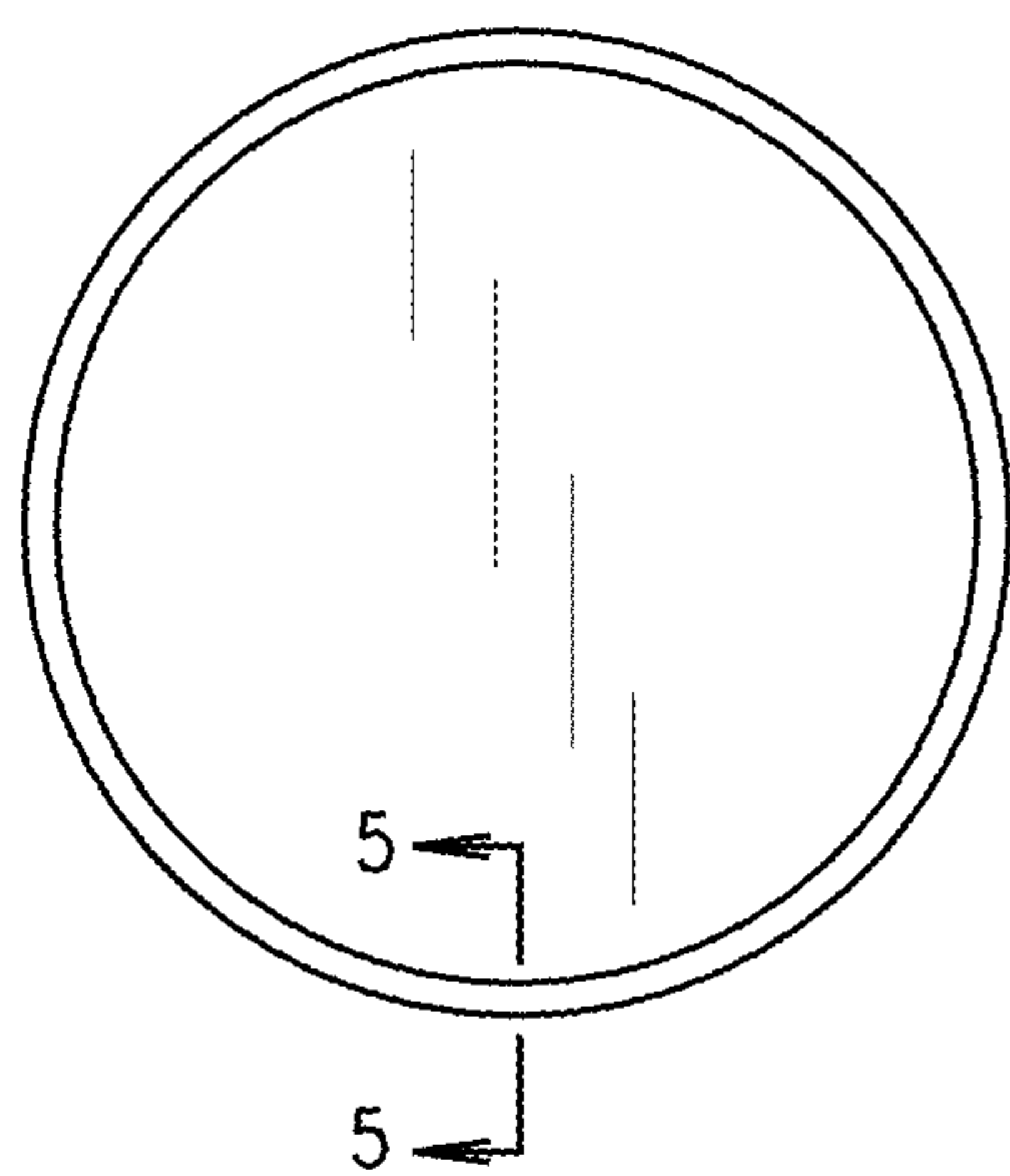


FIG. 2

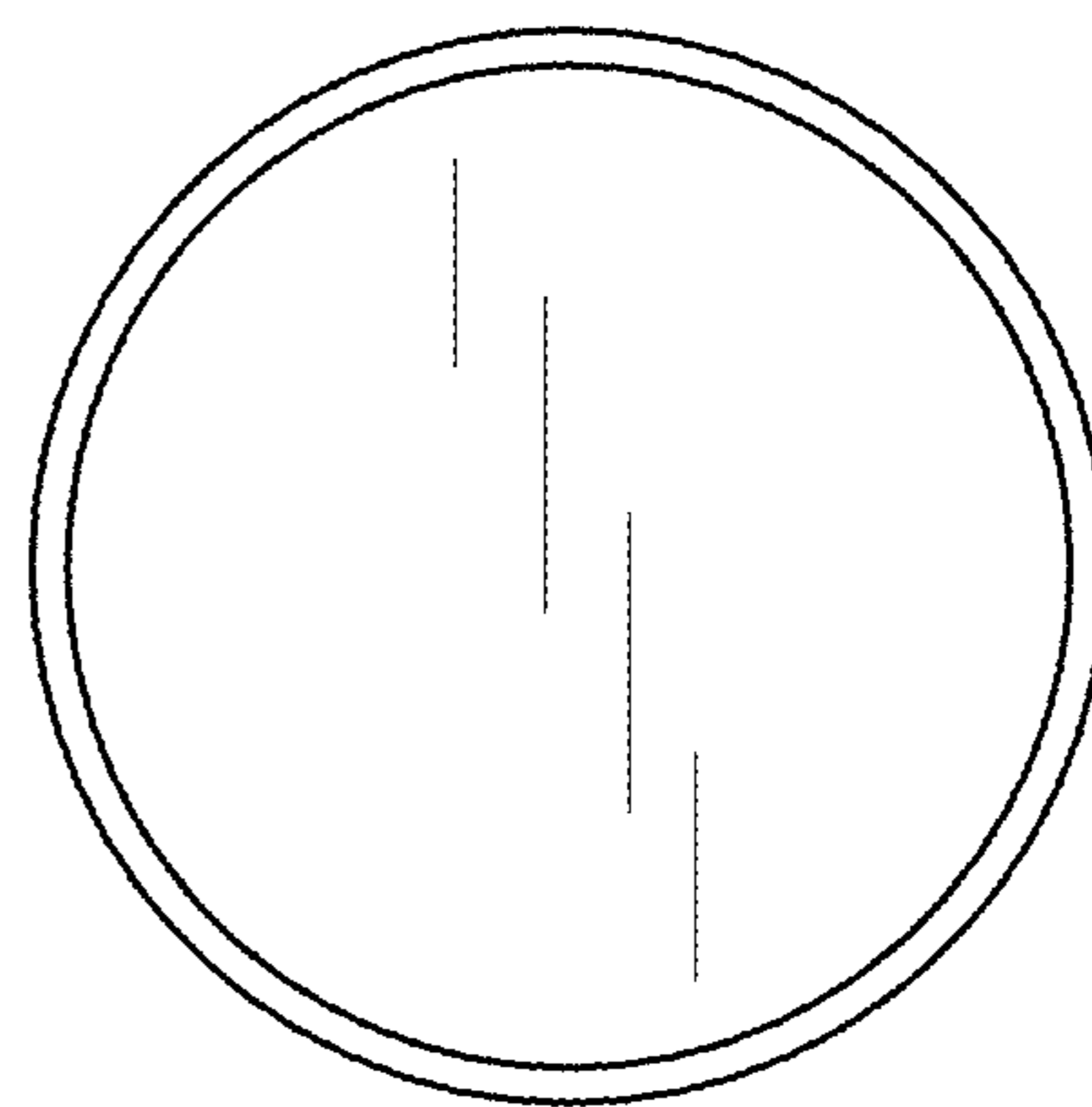


FIG. 3

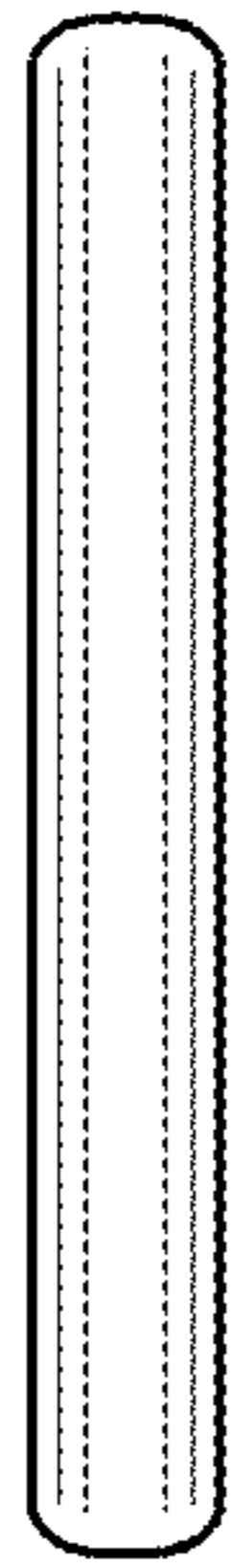


FIG. 4

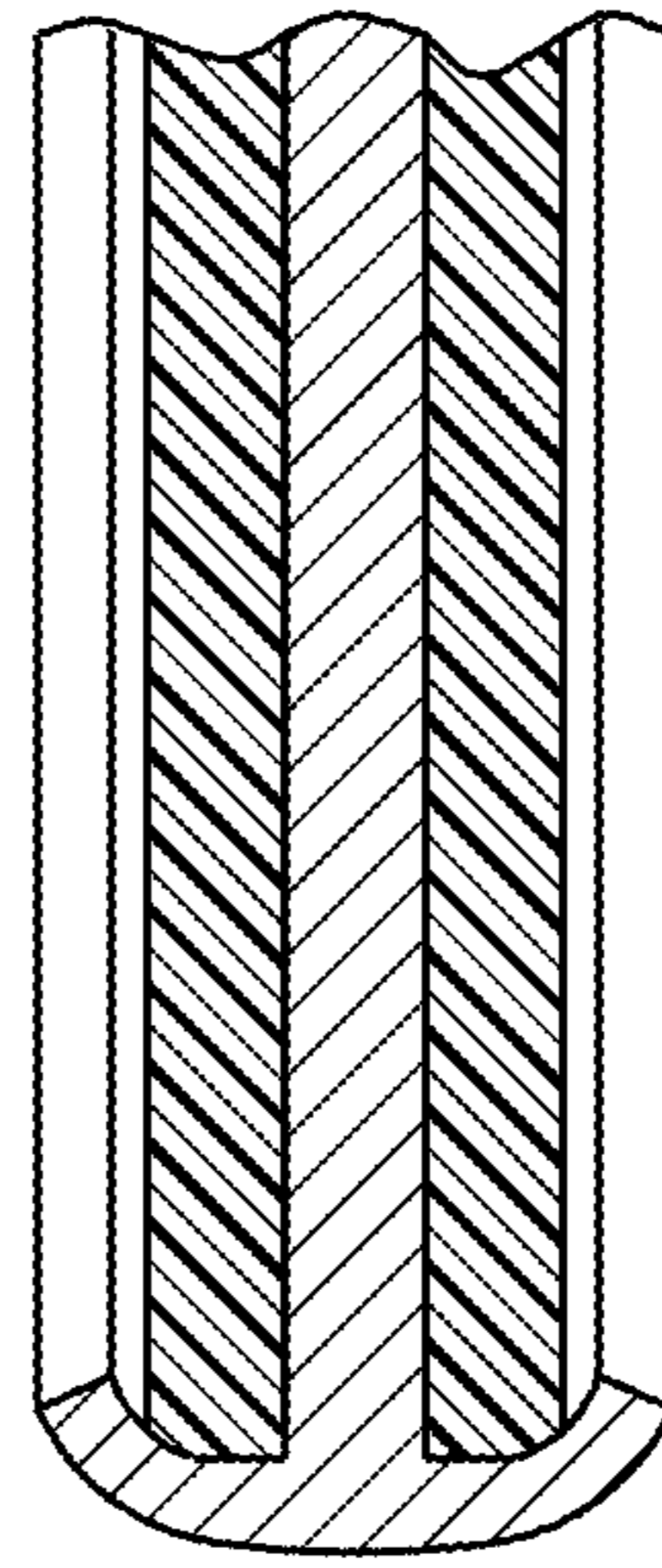


FIG. 5

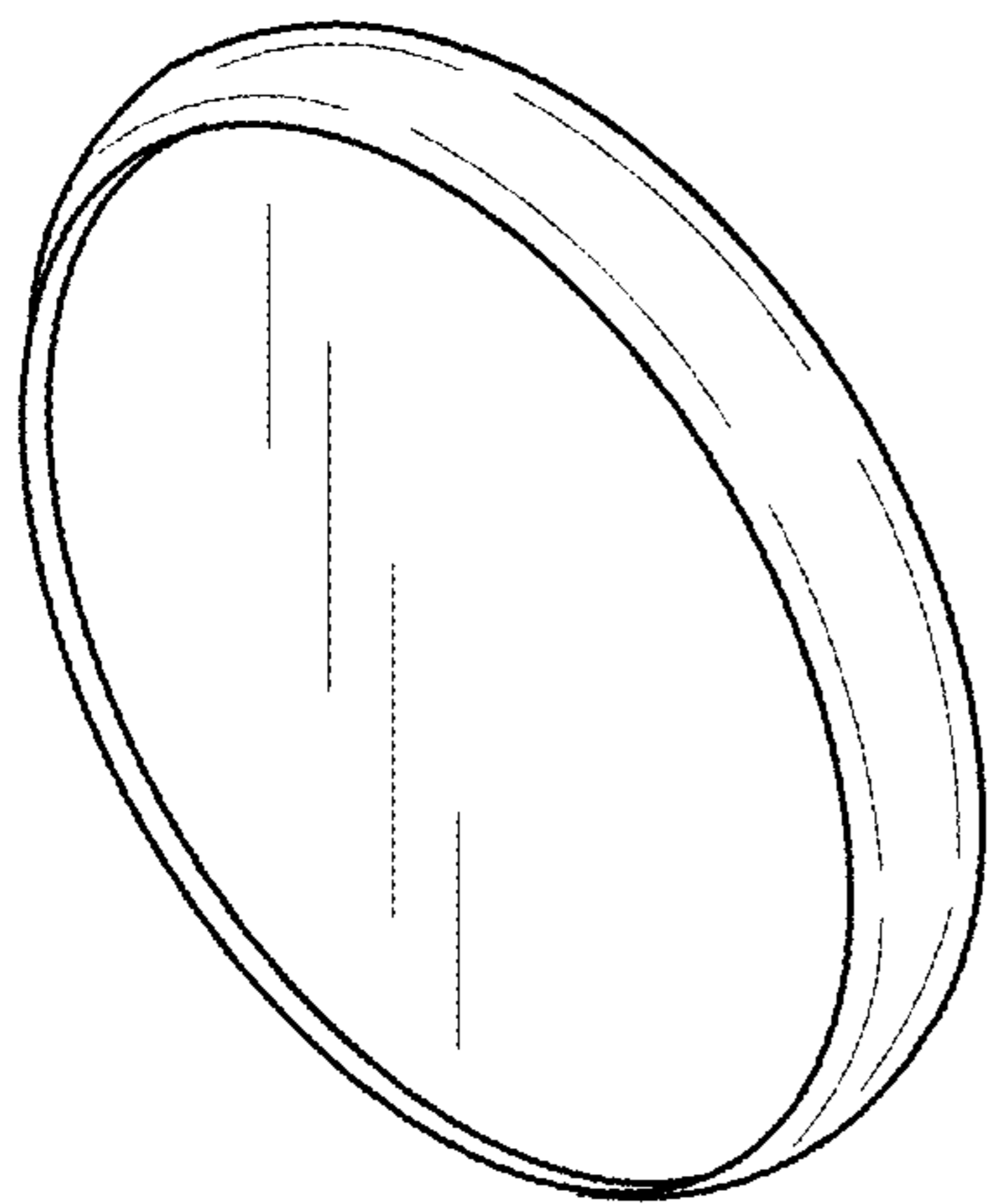


FIG. 6

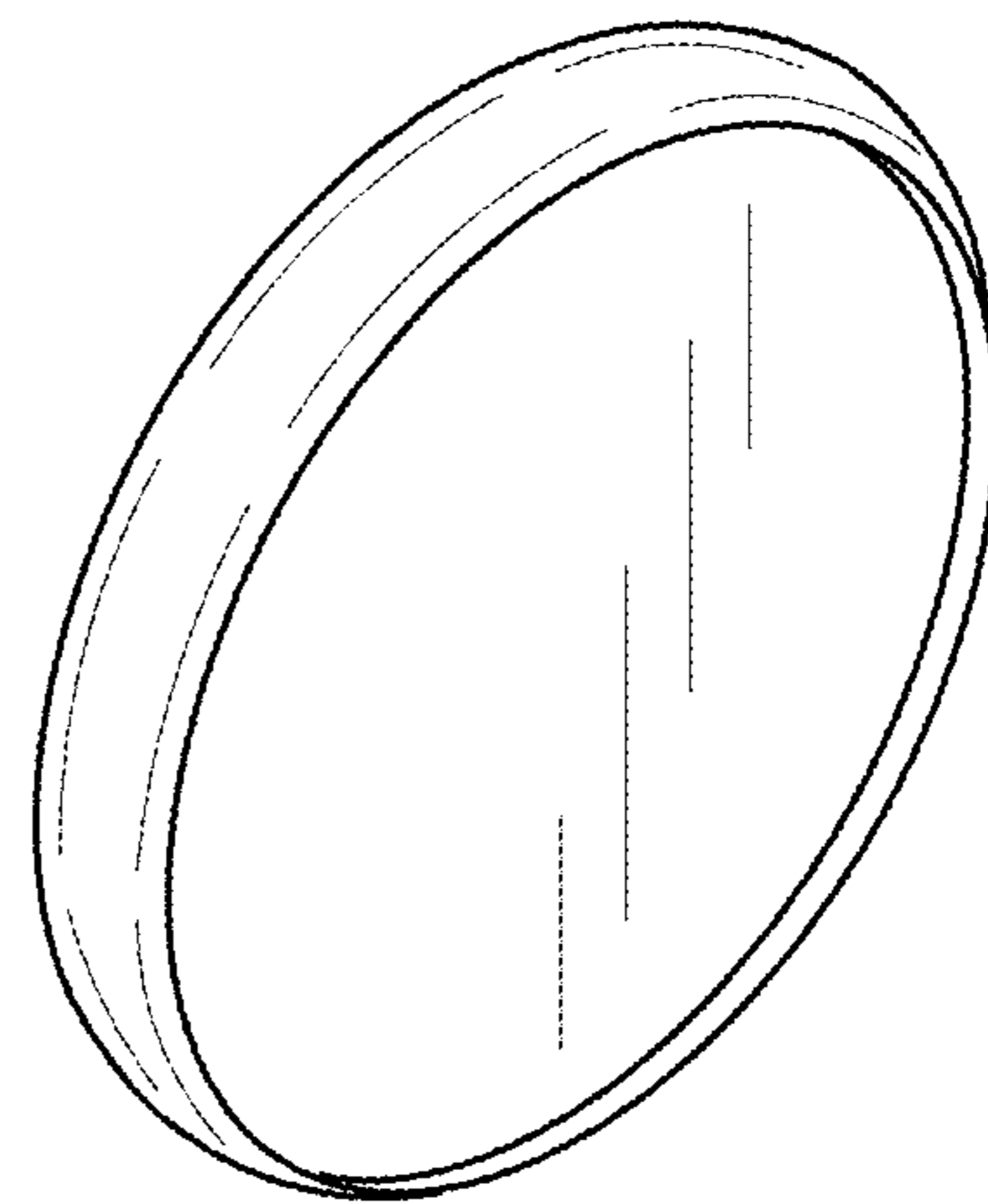


FIG. 7