



US00D928264S

(12) **United States Design Patent**
Ke et al.

(10) **Patent No.:** **US D928,264 S**

(45) **Date of Patent:** **** Aug. 17, 2021**

(54) **HOVERBOARD**

(71) Applicant: **Golabs Inc.**, Carrollton, TX (US)

(72) Inventors: **Qin Ke**, Lishui (CN); **Qiusheng Zhang**, Lishui (CN); **Matao Cao**, Lishui (CN)

(73) Assignee: **Golabs Inc.**, Carrollton, TX (US)

(**) Term: **15 Years**

(21) Appl. No.: **29/711,107**

(22) Filed: **Oct. 29, 2019**

(30) **Foreign Application Priority Data**

May 6, 2019 (CN) 201930215946.3

(51) **LOC (13) Cl.** **21-02**

(52) **U.S. Cl.**
USPC **D21/763**

(58) **Field of Classification Search**

USPC D21/419, 421, 423, 426, 760, 765, 766,
D21/769, 771, 776, 803; D12/1

CPC A63C 17/01; A63C 17/12; A63C 2203/00;
A63C 2203/011; A63C 2203/012; A63C
2203/013; A63C 2203/40; A63C 2203/52;
B62D 51/02; B62K 2202/00; B62K
2207/00; B62K 2207/02; B62K 2207/04

See application file for complete search history.

(56) **References Cited**

U.S. PATENT DOCUMENTS

D785,112 S * 4/2017 Ying D21/760
D786,130 S * 5/2017 Huang D12/1

D808,857 S * 1/2018 Zhang D12/1
D865,890 S * 11/2019 Desberg D21/760
D888,857 S * 6/2020 Yao D21/763
D889,576 S * 7/2020 Li D21/763
D897,236 S * 9/2020 Xu D12/1
D899,540 S * 10/2020 Desberg B62K 11/007
D21/763
D899,541 S * 10/2020 Desberg B62K 11/007
D21/763

* cited by examiner

Primary Examiner — Cynthia M. Chin

(74) *Attorney, Agent, or Firm* — Muncy, Geissler, Olds & Lowe, P.C.

(57) **CLAIM**

The ornamental design for a hoverboard, as shown and described.

DESCRIPTION

FIG. 1 is a first perspective view of a hoverboard according to my new design;

FIG. 2 is a second perspective view thereof;

FIG. 3 is a front elevation view thereof;

FIG. 4 is a rear elevation view thereof;

FIG. 5 is a right side elevation view thereof;

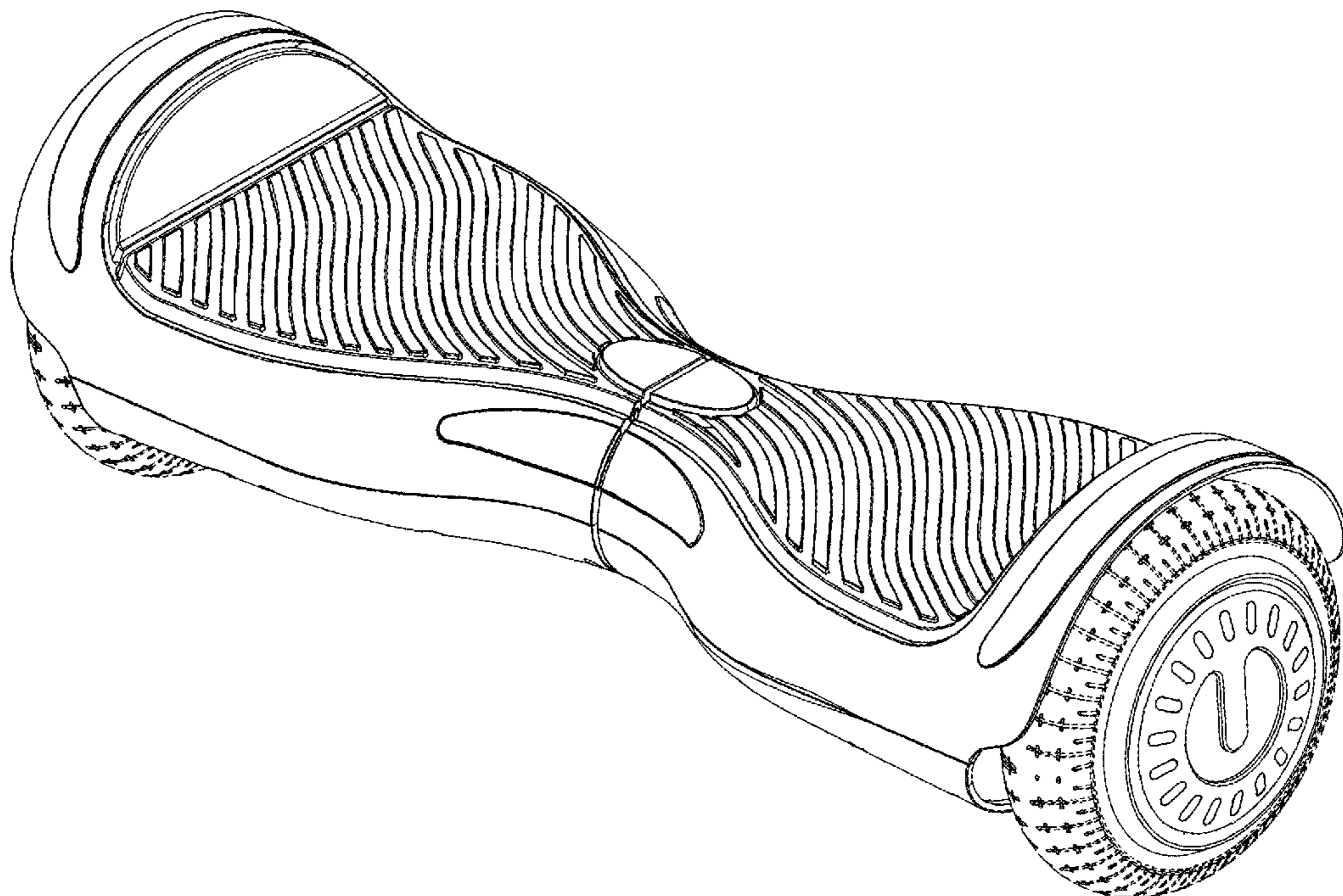
FIG. 6 is a left side elevation view thereof;

FIG. 7 is a top plan view thereof; and,

FIG. 8 is a bottom plan view thereof.

The broken lines in FIGS. 1-8 illustrating certain portions of the hoverboard form no part of the claimed design.

1 Claim, 8 Drawing Sheets



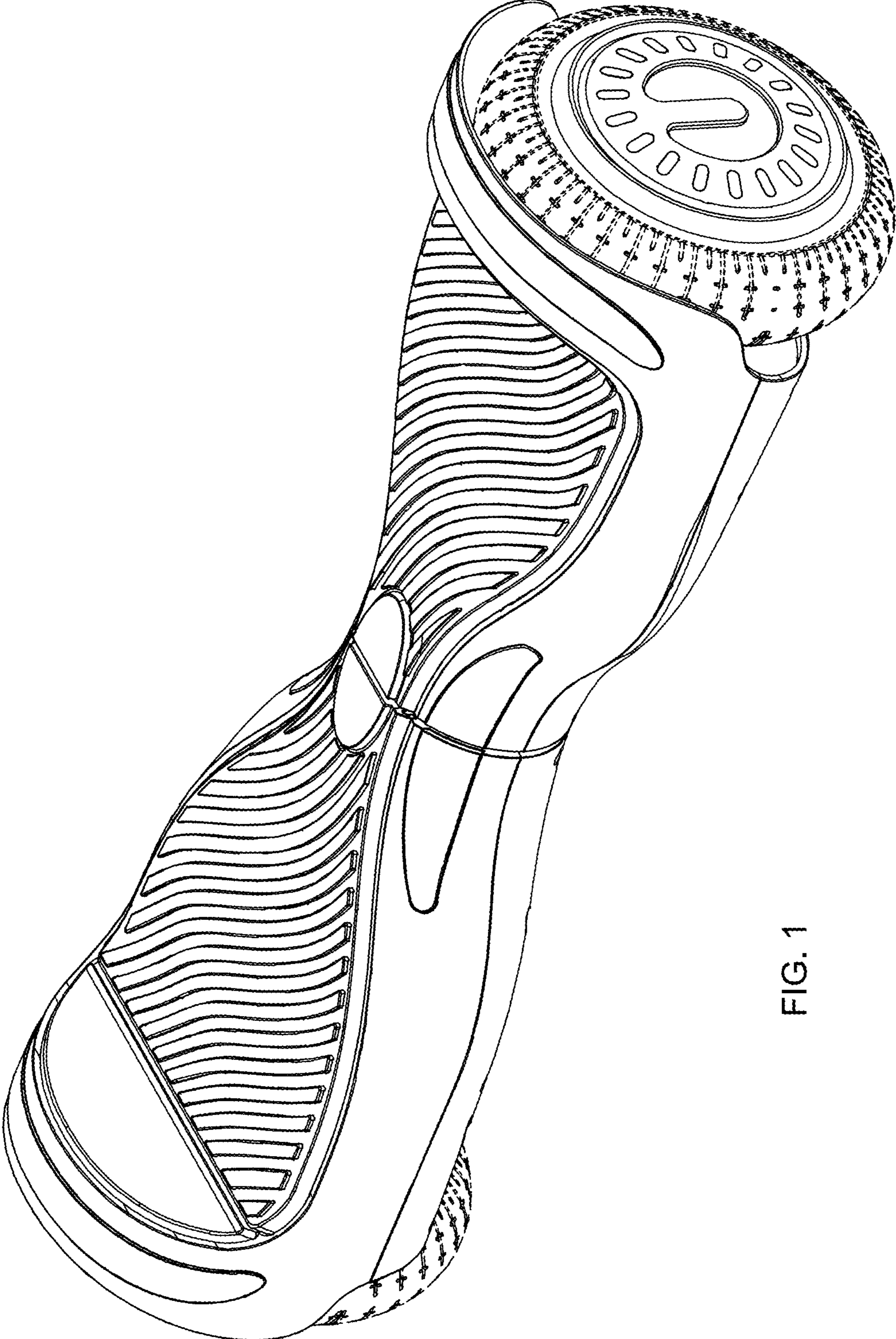


FIG. 1

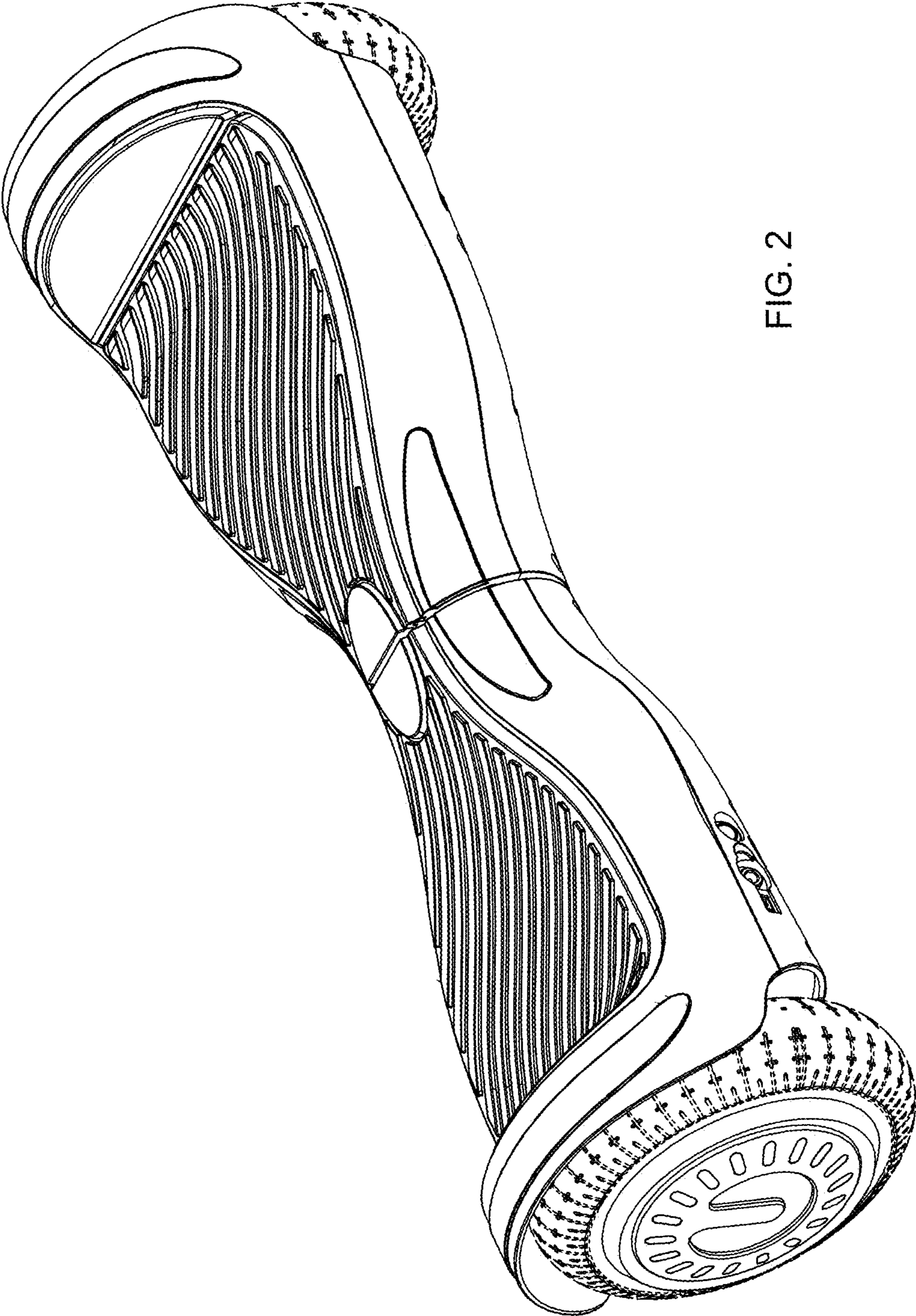


FIG. 2

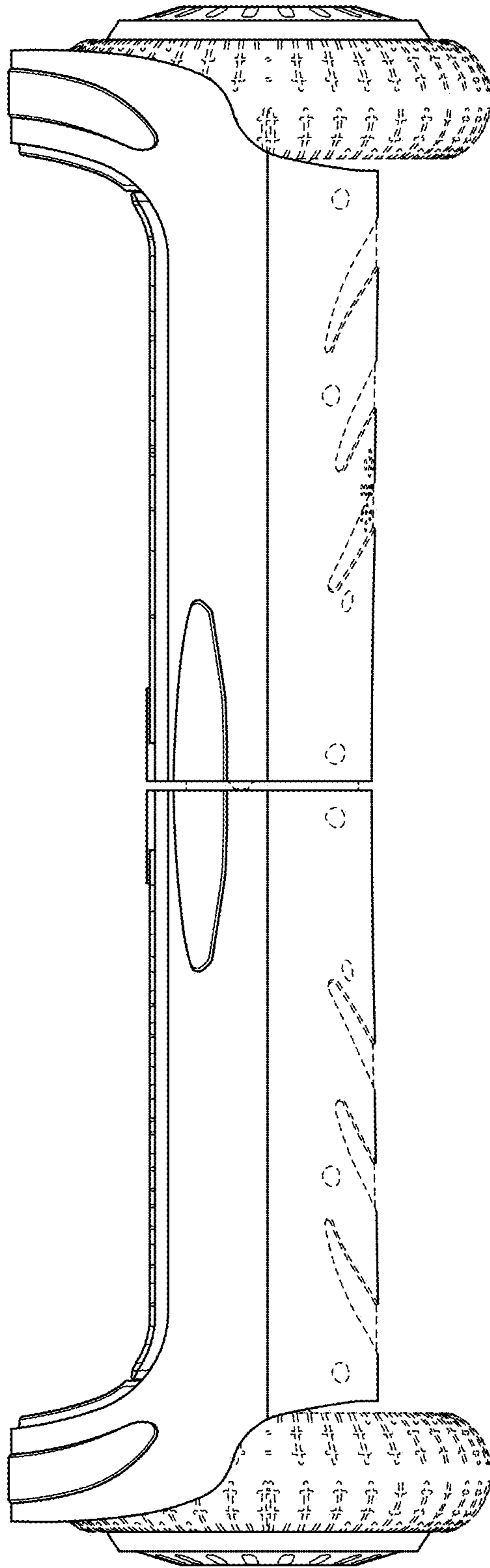


FIG. 3

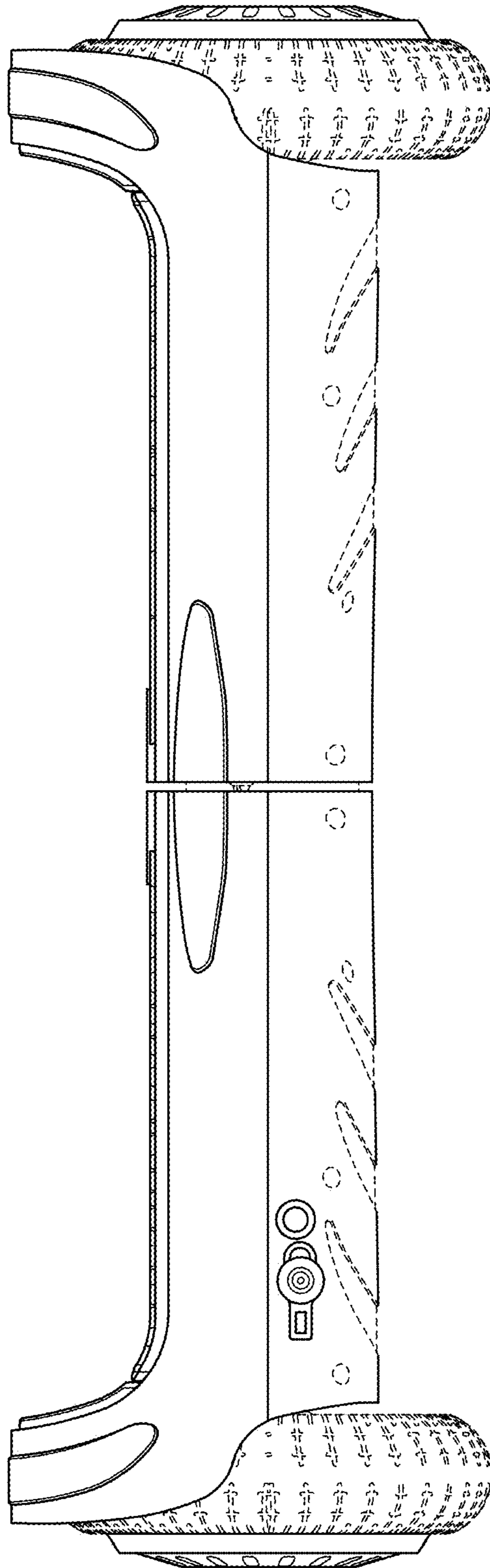


FIG. 4

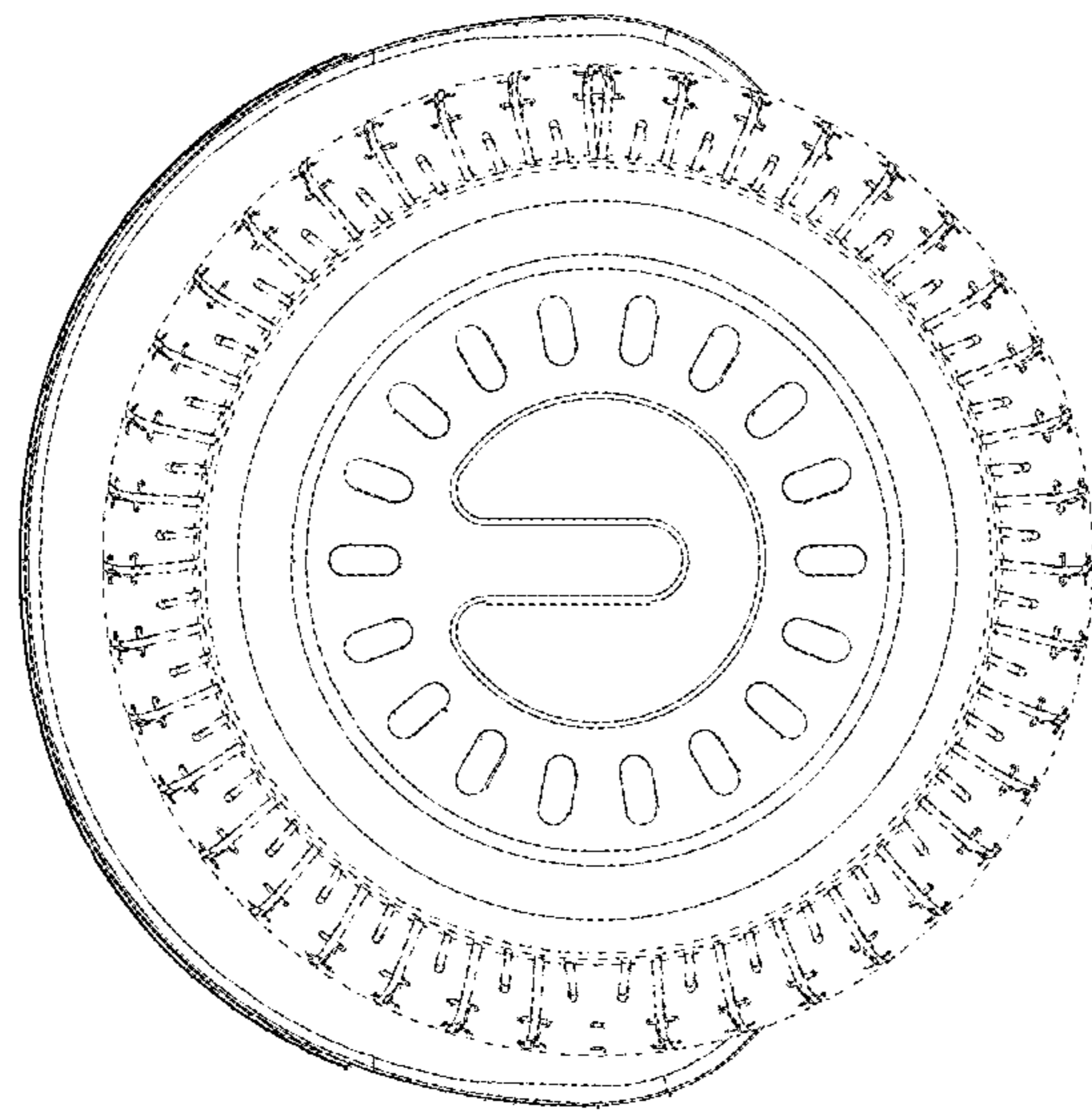


FIG. 5

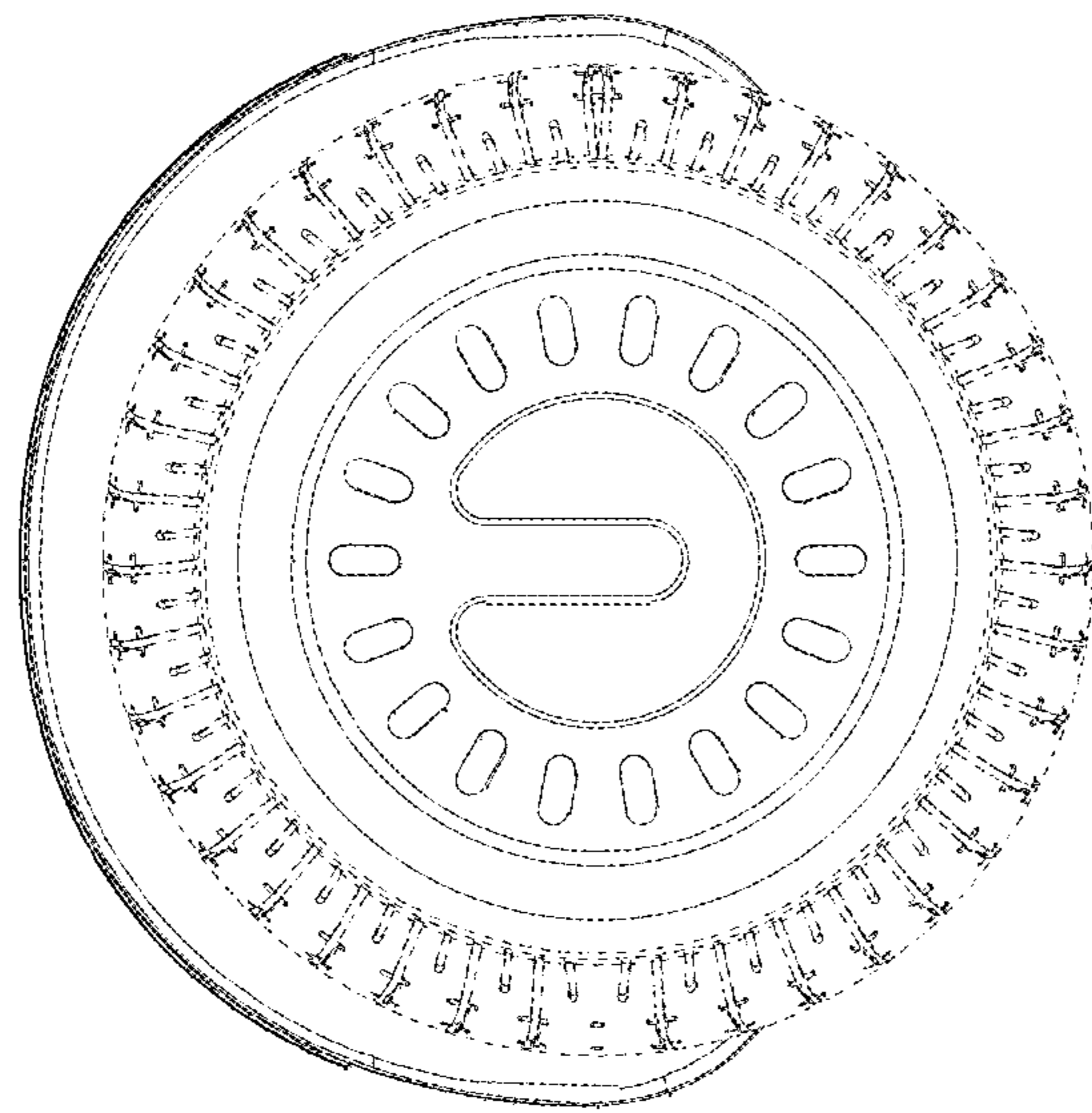


FIG. 6

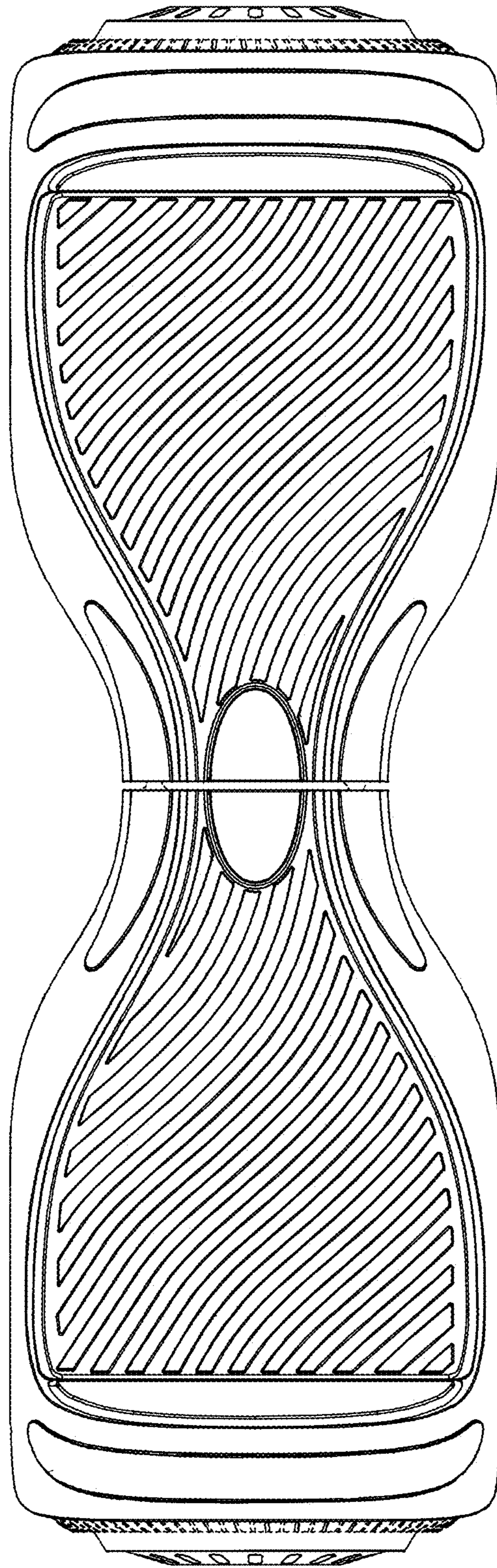


FIG. 7

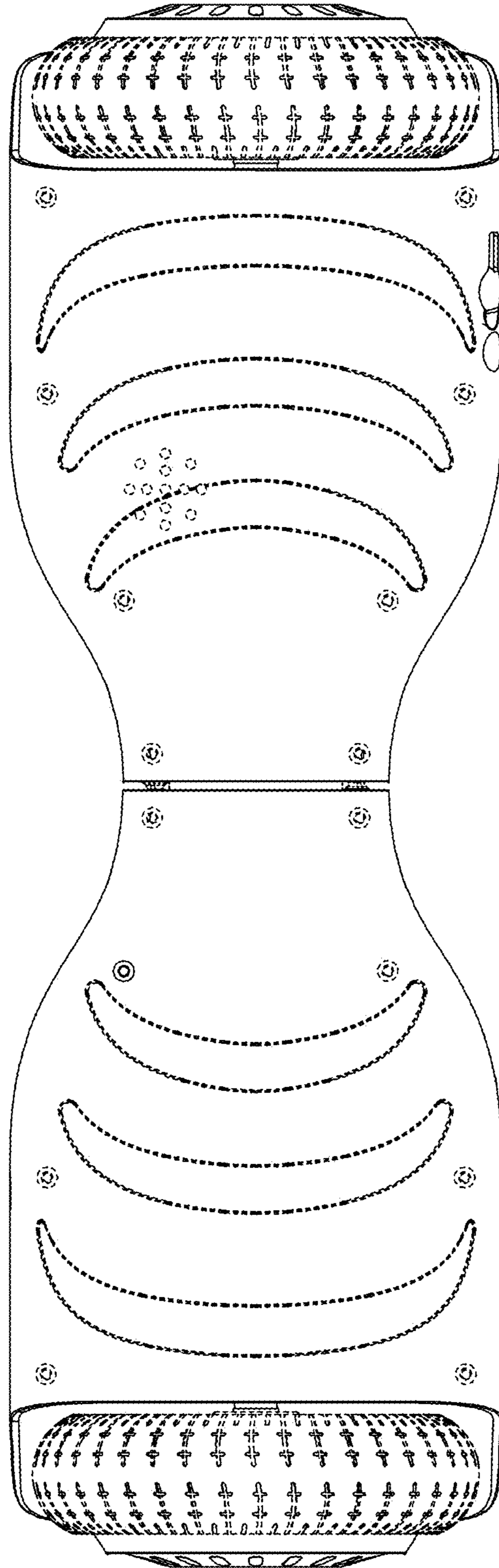


FIG. 8