

US00D928260S

(12) **United States Design Patent** (10) **Patent No.:** **US D928,260 S**
Serrano (45) **Date of Patent:** **** Aug. 17, 2021**

(54) **GOLF CLUB HEAD**

D449,085 S 10/2001 Breier
6,379,259 B1 4/2002 Opie
D485,320 S 1/2004 Breier

(71) Applicant: **KARSTEN MANUFACTURING CORPORATION**, Phoenix, AZ (US)

(Continued)

(72) Inventor: **Anthony D. Serrano**, Anthem, AZ (US)

FOREIGN PATENT DOCUMENTS

(73) Assignee: **KARSTEN MANUFACTURING CORPORATION**, Phoenix, AZ (US)

CN 2920325 Y 7/2007
CN 103252065 A 8/2013

(Continued)

(**) Term: **15 Years**

Primary Examiner — Mitchell I. Siegel

(21) Appl. No.: **29/711,885**

(57) **CLAIM**

The ornamental design for a golf club head, as shown and described.

(22) Filed: **Nov. 4, 2019**

DESCRIPTION

(51) **LOC (13) Cl.** **21-02**

(52) **U.S. Cl.**

USPC **D21/743**

(58) **Field of Classification Search**

USPC D21/736-746, 759

CPC A63B 53/00; A63B 53/04; A63B 53/007;

A63B 53/065; A63B 53/0487; A63B

60/00; A63B 60/46

See application file for complete search history.

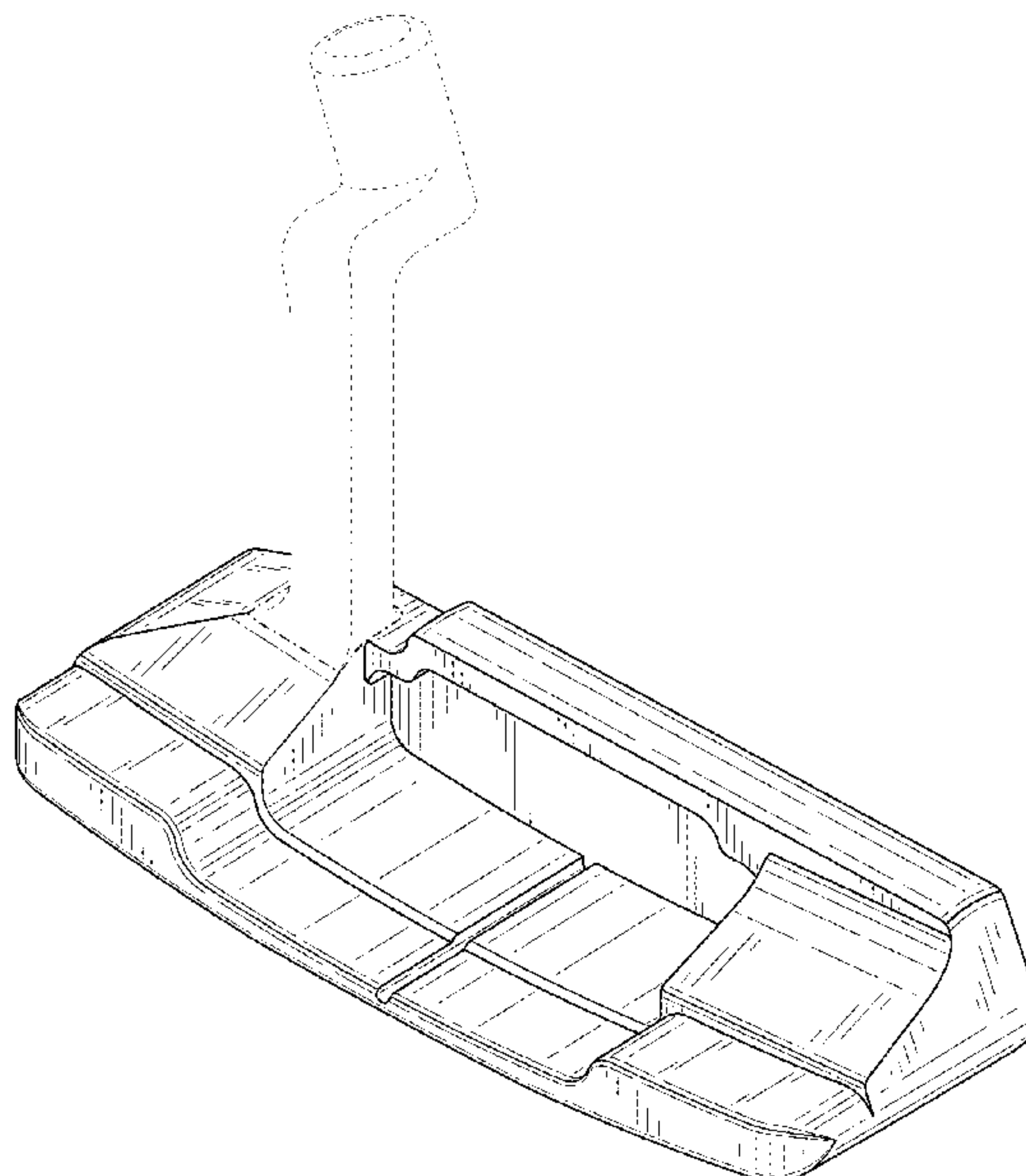
FIG. 1 is a top perspective view of a golf club head;
FIG. 2 is a bottom perspective view of the golf club head of FIG. 1;
FIG. 3 is a top view of the golf club head of FIG. 1;
FIG. 4 is a bottom view of the golf club head of FIG. 1;
FIG. 5 is a front view of the golf club head of FIG. 1;
FIG. 6 is a rear view of the golf club head of FIG. 1;
FIG. 7 is a heel side view of the golf club head of FIG. 1;
FIG. 8 is a toe side view of the golf club head of FIG. 1;
FIG. 9 is a top perspective view of a second embodiment of a golf club head;
FIG. 10 is a bottom perspective view of the golf club head of FIG. 9;
FIG. 11 is a top view of the golf club head of FIG. 9;
FIG. 12 is a bottom view of the golf club head of FIG. 9;
FIG. 13 is a front view of the golf club head of FIG. 9;
FIG. 14 is a rear view of the golf club head of FIG. 9;
FIG. 15 is a heel side view of the golf club head of FIG. 9;
and,
FIG. 16 is a toe side view of the golf club head of FIG. 9.
The broken lines showing the hosel on FIGS. 1-8 form no part of the claimed design.

(56) **References Cited**

U.S. PATENT DOCUMENTS

D207,227 S * 3/1967 Solheim D21/739
D239,951 S * 5/1976 Carrier D21/742
4,030,766 A 6/1977 Derr
D316,129 S 4/1991 Bryson
5,275,412 A 1/1994 Innes
5,685,784 A 11/1997 Butler
D389,207 S 1/1998 Cameron
5,746,664 A 5/1998 Reynolds, Jr.
6,048,275 A 4/2000 Gedeon
D426,599 S 6/2000 Morgan
D426,600 S 6/2000 Valentine
D443,906 S 6/2001 Hettinger

1 Claim, 12 Drawing Sheets



(56)

References Cited

U.S. PATENT DOCUMENTS

D488,526 S 4/2004 Souza
 D498,276 S * 11/2004 Schweigert D21/743
 D500,109 S 12/2004 Solheim
 D500,110 S 12/2004 Solheim
 6,837,801 B1 1/2005 Souza
 6,878,071 B1 4/2005 Schweiger
 6,893,355 B2 5/2005 Souza
 6,902,496 B2 6/2005 Solheim
 D507,612 S 7/2005 Souza
 6,926,615 B1 8/2005 Souza
 6,960,140 B2 11/2005 Solheim
 6,966,845 B2 11/2005 Solheim
 D520,584 S 5/2006 Karlsen
 D521,580 S 5/2006 Burrows
 D521,582 S 5/2006 Souza
 7,052,411 B2 5/2006 Solheim
 D522,598 S 6/2006 Solheim
 7,077,758 B2 7/2006 Rohrer
 7,086,957 B2 8/2006 Solheim
 D527,777 S 9/2006 Solheim
 D529,108 S 9/2006 Stites
 D532,847 S 11/2006 Rollinson
 D533,243 S 12/2006 Fife
 D535,712 S * 1/2007 Toroussian D21/749
 7,235,021 B2 6/2007 Solheim
 D548,294 S 8/2007 Nguyen
 D548,295 S 8/2007 Jertson
 7,255,650 B2 8/2007 Bryant
 D552,196 S 10/2007 Hueber
 D552,197 S 10/2007 Wells
 D562,921 S 2/2008 Nguyen
 D565,137 S 3/2008 Oldknow
 D569,462 S 5/2008 Rollinson
 7,371,185 B1 5/2008 Rohrer
 D581,473 S 11/2008 Thomas
 D583,003 S 12/2008 Solheim
 D583,887 S 12/2008 Cameron
 D590,462 S 4/2009 Hettinger
 D595,372 S 6/2009 Rollinson
 D599,423 S 9/2009 Serrano
 D600,760 S 9/2009 Serrano
 D600,761 S 9/2009 Solheim
 D600,762 S 9/2009 Serrano
 7,601,076 B2 10/2009 Rollinson
 D607,950 S 1/2010 Souza
 D621,458 S 8/2010 Serrano
 D621,460 S 8/2010 Serrano
 D621,461 S 8/2010 Serrano
 D621,462 S 8/2010 Serrano
 D621,891 S 8/2010 Serrano
 7,803,066 B2 9/2010 Solheim
 7,815,515 B1 10/2010 Hunt
 D629,856 S 12/2010 Parkinson
 7,927,226 B1 * 4/2011 Twitty A63B 53/0487
 473/251
 D638,891 S 5/2011 Nicolette
 D638,892 S * 5/2011 Hettinger D21/743
 D640,341 S 6/2011 Foster et al.

D643,080 S 8/2011 Serrano
 D643,486 S 8/2011 Nicolette
 D643,487 S 8/2011 Serrano
 D643,893 S * 8/2011 Rollinson D21/742
 D648,407 S 11/2011 Teramoto
 D650,453 S 12/2011 Rollinson
 D650,456 S * 12/2011 Tang D21/743
 8,100,779 B2 1/2012 Solheim
 D653,718 S 2/2012 Stokke
 8,109,838 B2 2/2012 Solheim
 8,128,505 B2 3/2012 Tryner et al.
 D664,617 S 7/2012 Serrano
 D688,339 S * 8/2013 Hilton D21/736
 D689,574 S * 9/2013 Rollinson D21/743
 D691,225 S 10/2013 Hilton
 D702,782 S 4/2014 Wempe
 9,033,812 B2 * 5/2015 Solheim A63B 53/0487
 473/238
 D733,817 S 7/2015 Jorgensen
 D769,383 S 10/2016 Abbott
 9,649,543 B2 5/2017 Solheim
 D796,597 S * 9/2017 Serrano D21/736
 9,925,434 B2 3/2018 Solheim
 D817,424 S 5/2018 Toulon
 D817,425 S * 5/2018 Toulon D21/759
 D818,551 S * 5/2018 Toulon D21/759
 9,956,463 B2 * 5/2018 Franklin A63B 60/54
 D832,948 S 11/2018 Stokke
 D837,315 S * 1/2019 Rollinson D21/743
 10,173,105 B2 * 1/2019 Myers A63B 53/0487
 D860,351 S * 9/2019 Rollinson D21/743
 D865,090 S * 10/2019 Rollinson D21/743
 D869,581 S * 12/2019 Aguilar D21/743
 D898,845 S * 10/2020 Clarke D21/743
 D907,147 S * 1/2021 Agrella D21/743
 2003/0083149 A1 5/2003 Scarpa et al.
 2005/0170904 A1 8/2005 Smeeth
 2006/0089206 A1 4/2006 Lo
 2006/0094533 A1 5/2006 Warren
 2006/0166755 A1 7/2006 Brown
 2007/0010348 A1 1/2007 Jung
 2007/0191135 A1 8/2007 Nilsson
 2008/0045353 A1 2/2008 Lo et al.
 2008/0096686 A1 4/2008 Bikhu
 2009/0270198 A1 10/2009 Solheim et al.
 2009/0305806 A1 12/2009 Campadore et al.
 2009/0305807 A1 12/2009 Solheim et al.
 2010/0048321 A1 2/2010 Beach et al.
 2010/0222155 A1 * 9/2010 Jones A63B 53/0487
 473/338
 2010/0227704 A1 9/2010 Souza
 2012/0115628 A1 5/2012 Woods
 2014/0179459 A1 6/2014 Schartiger et al.
 2015/0360099 A1 12/2015 Ban et al.

FOREIGN PATENT DOCUMENTS

GB 2133295 A 7/1984
 JP 2001137400 A 5/2001

* cited by examiner

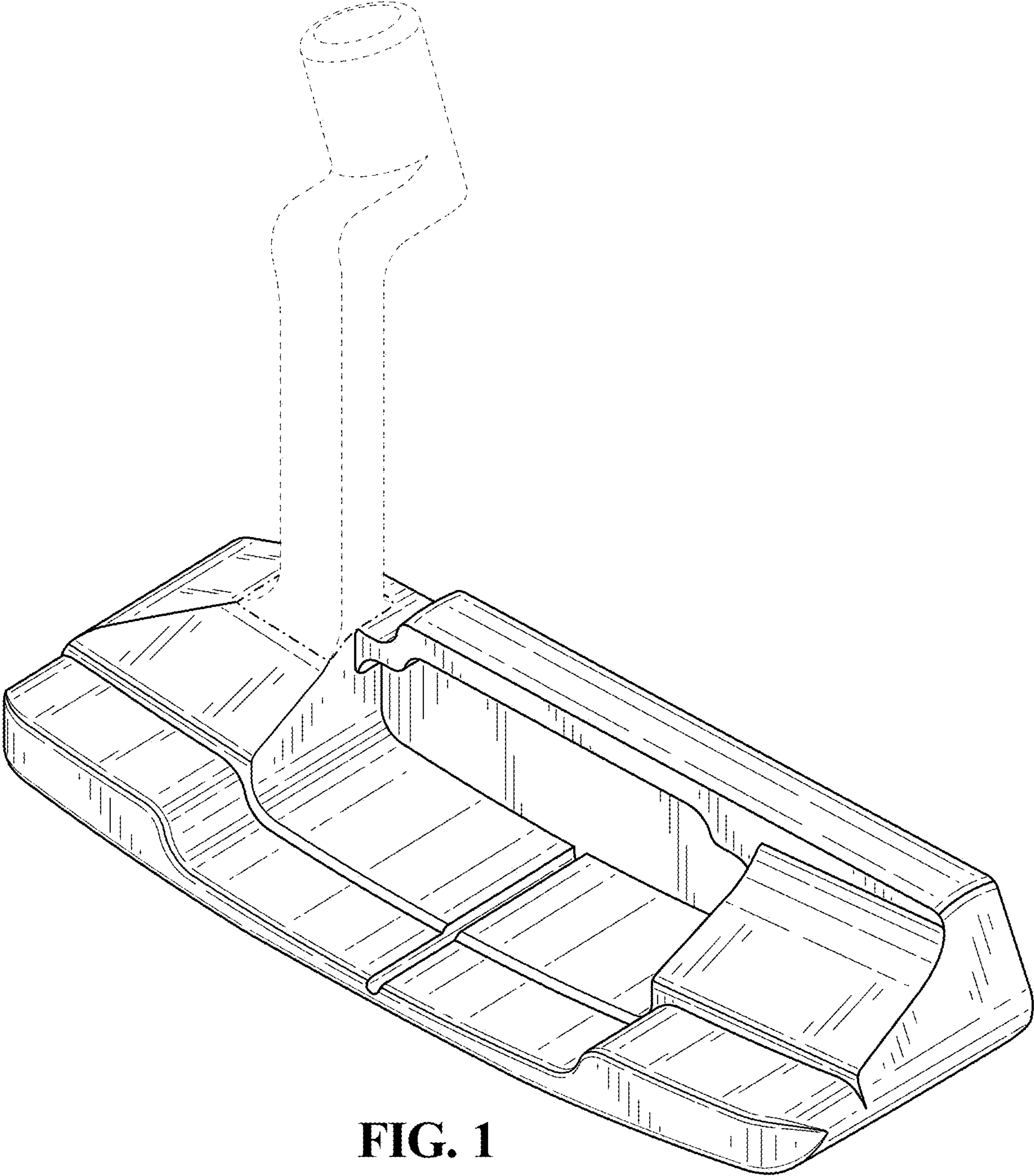


FIG. 1

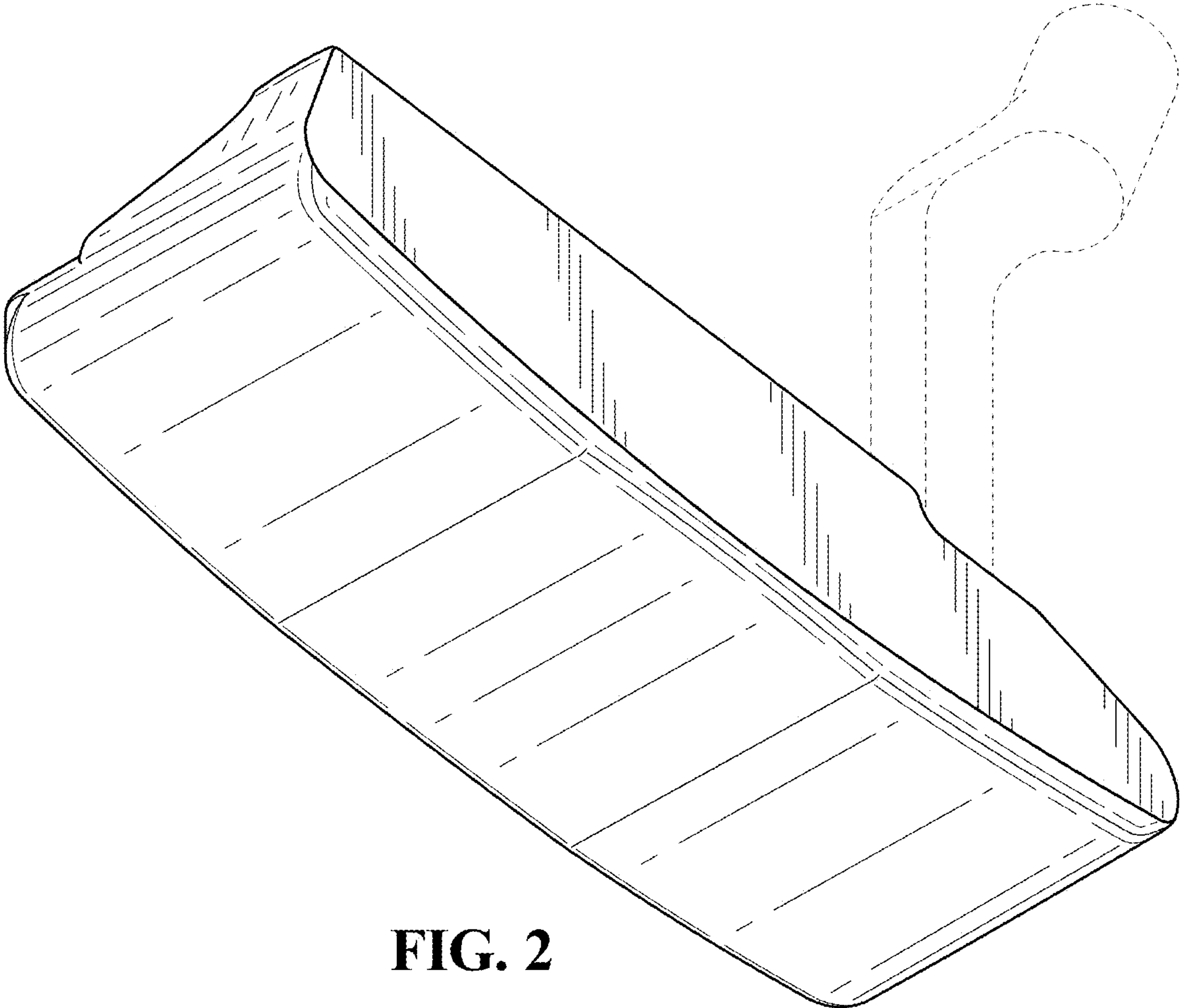


FIG. 2

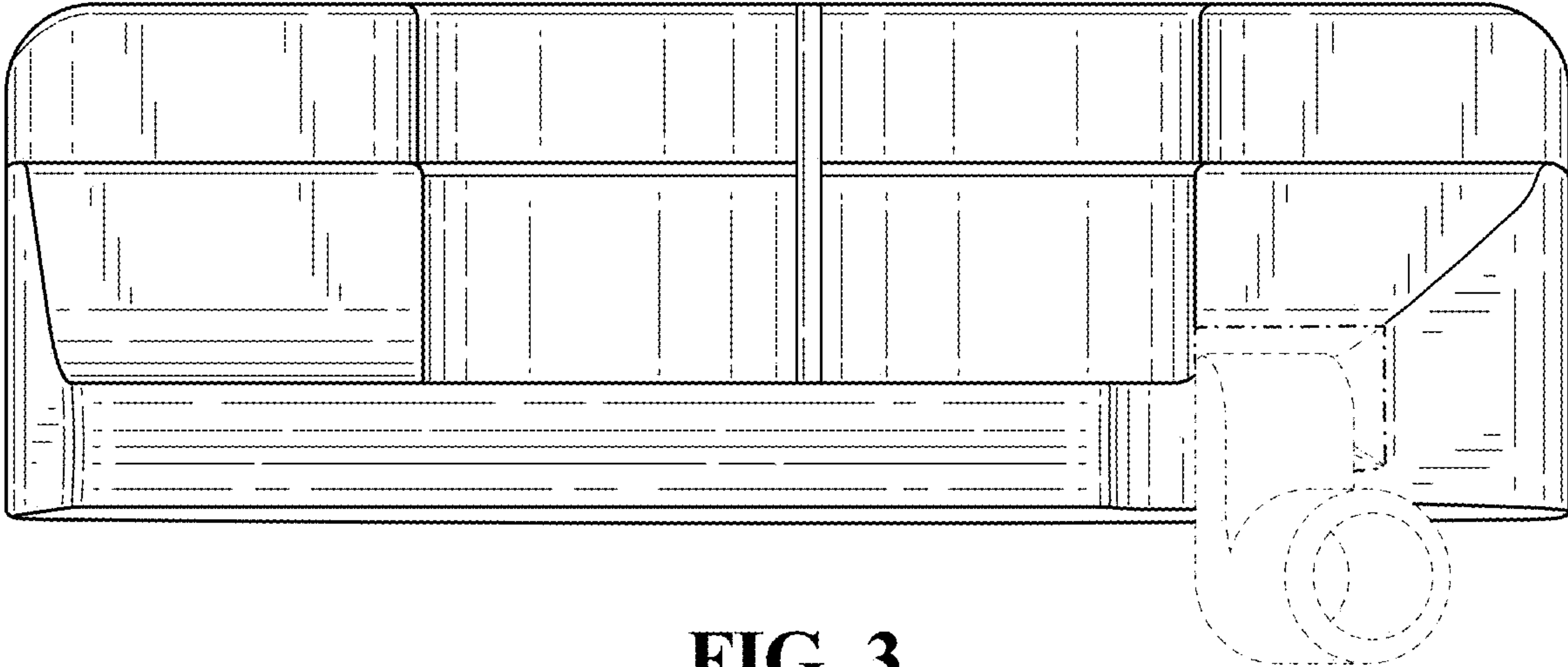


FIG. 3

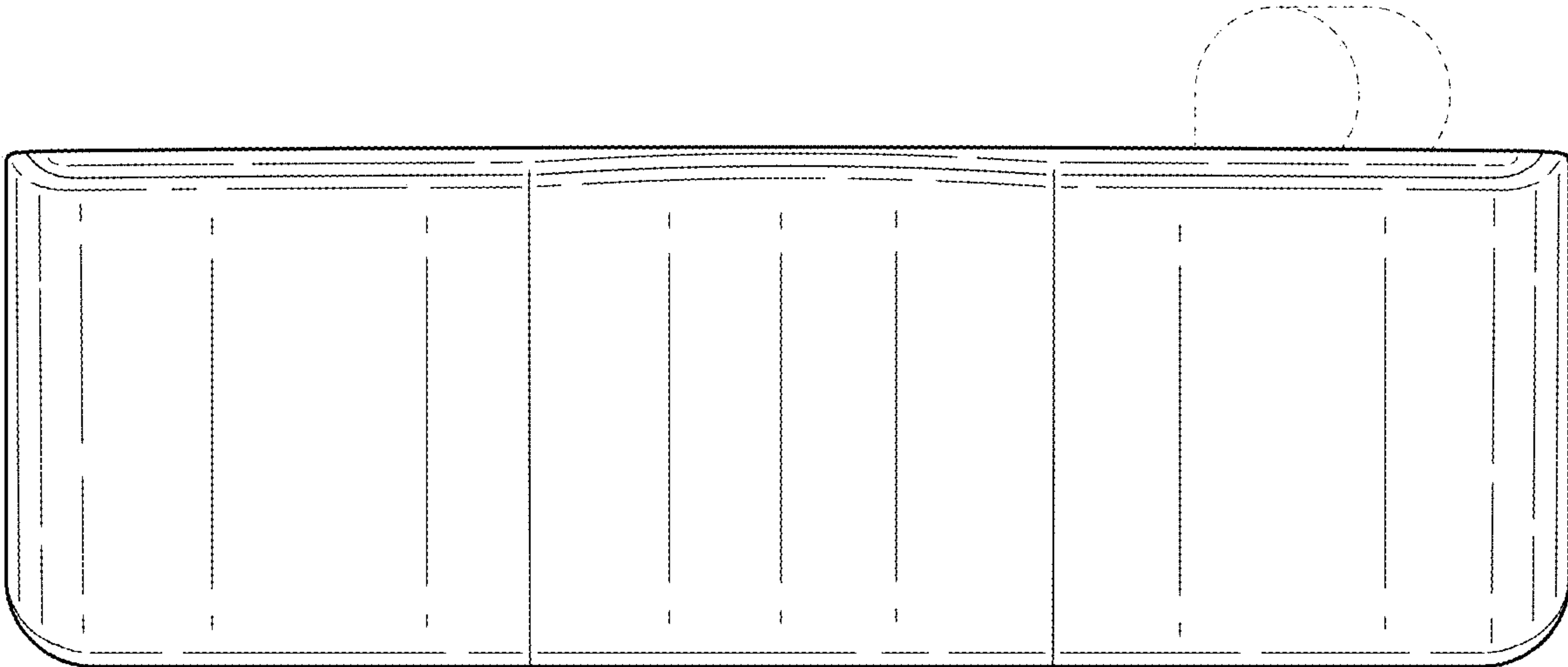


FIG. 4

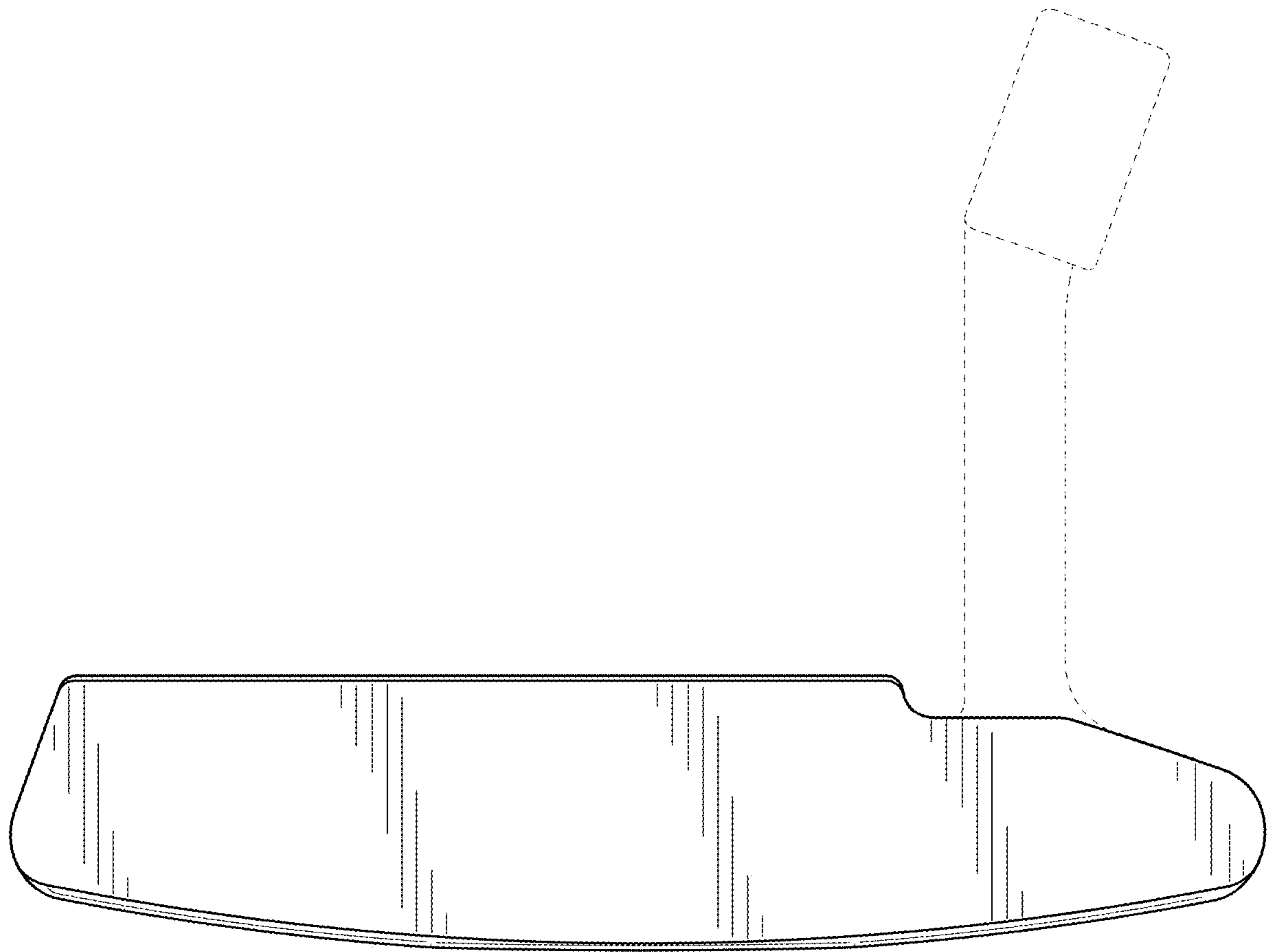


FIG. 5

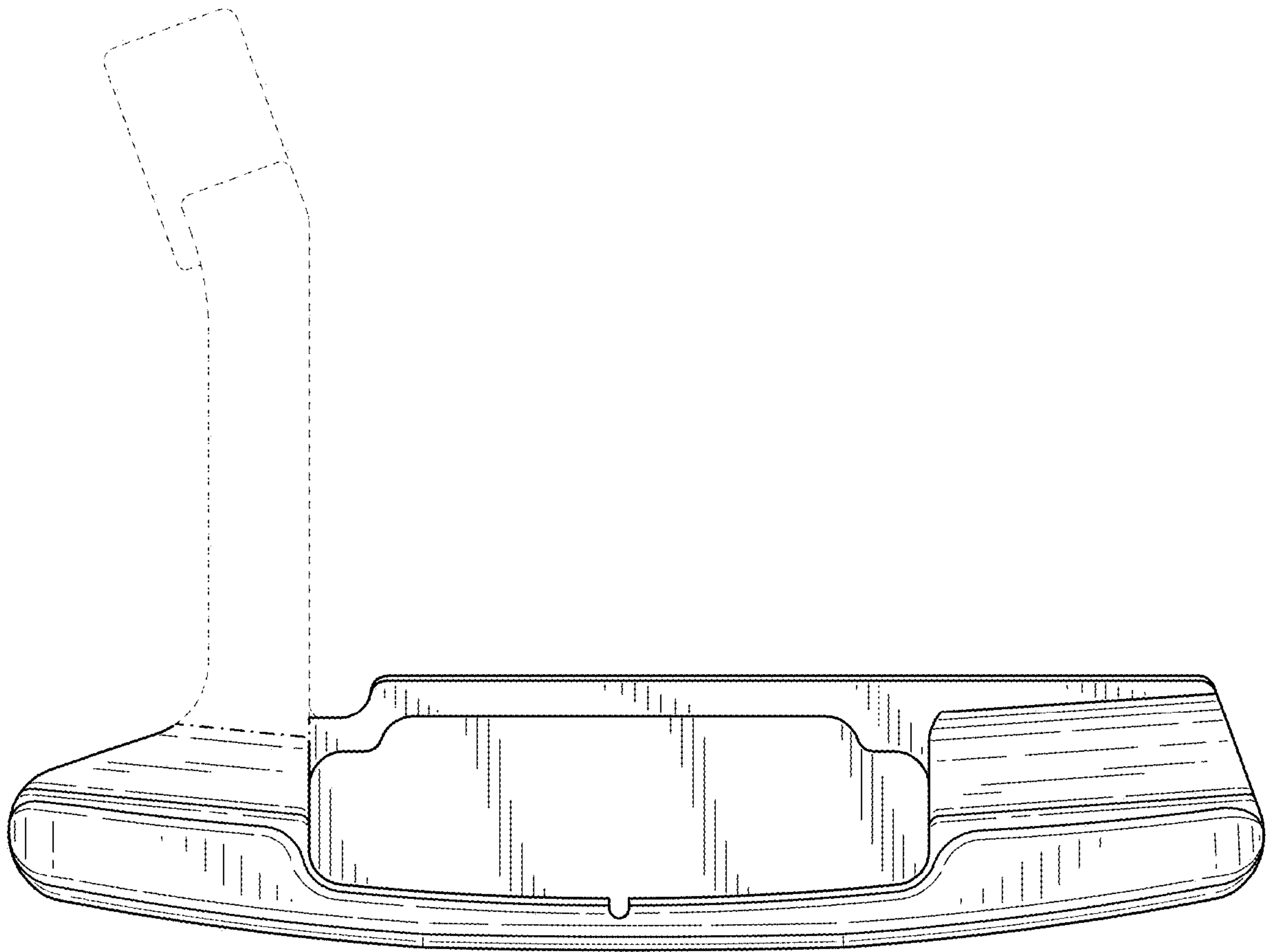


FIG. 6

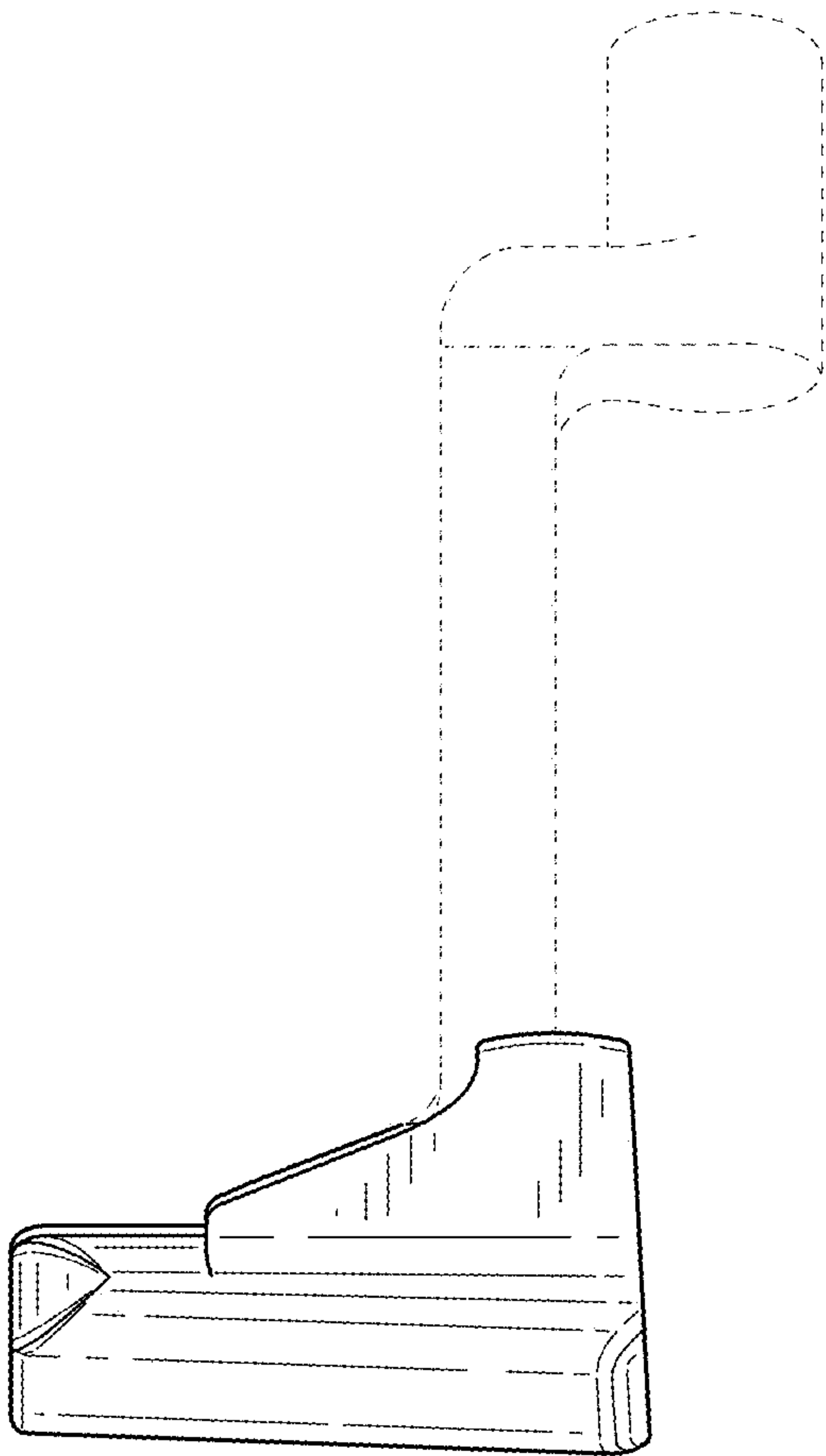


FIG. 8

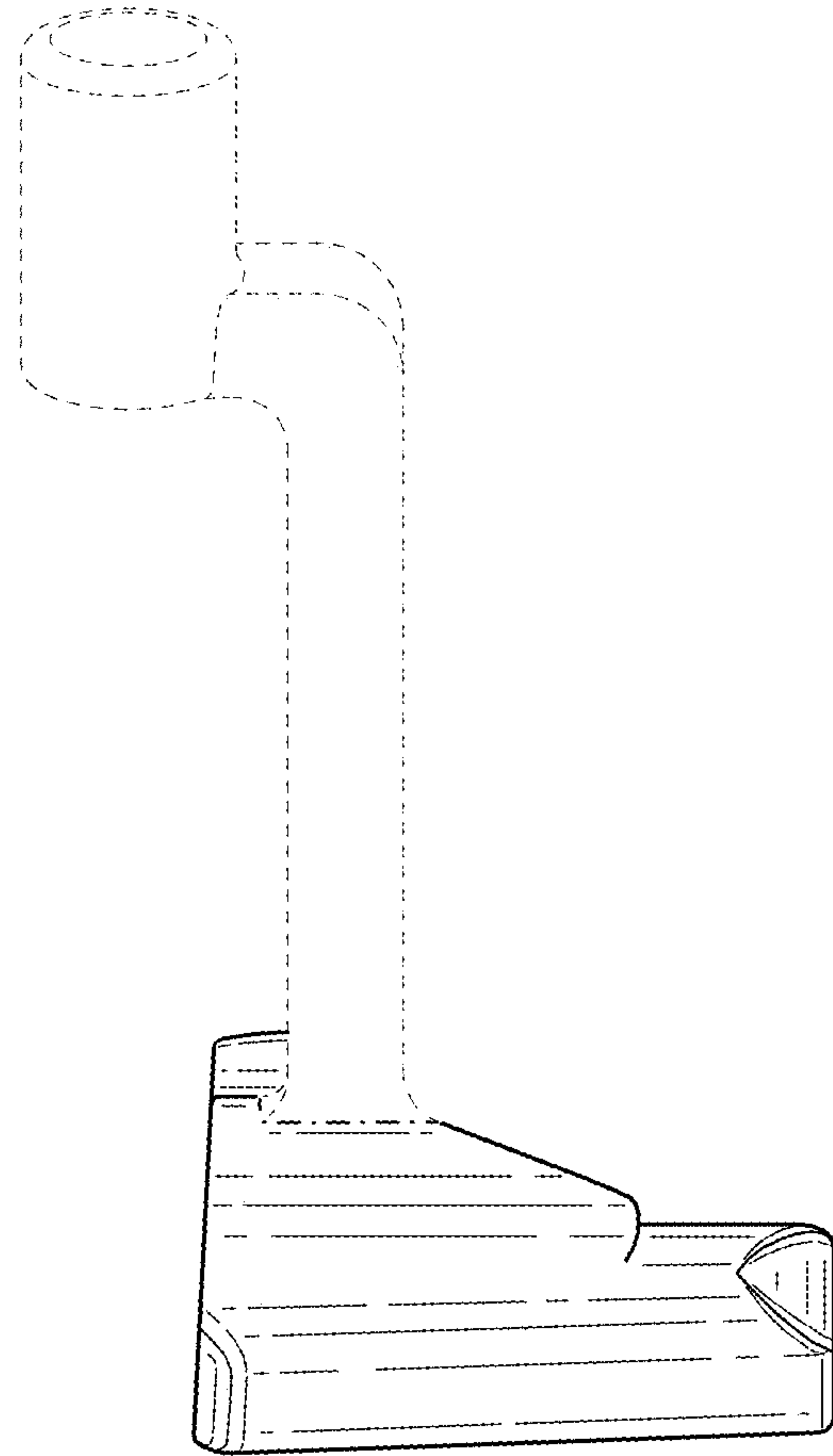


FIG. 7

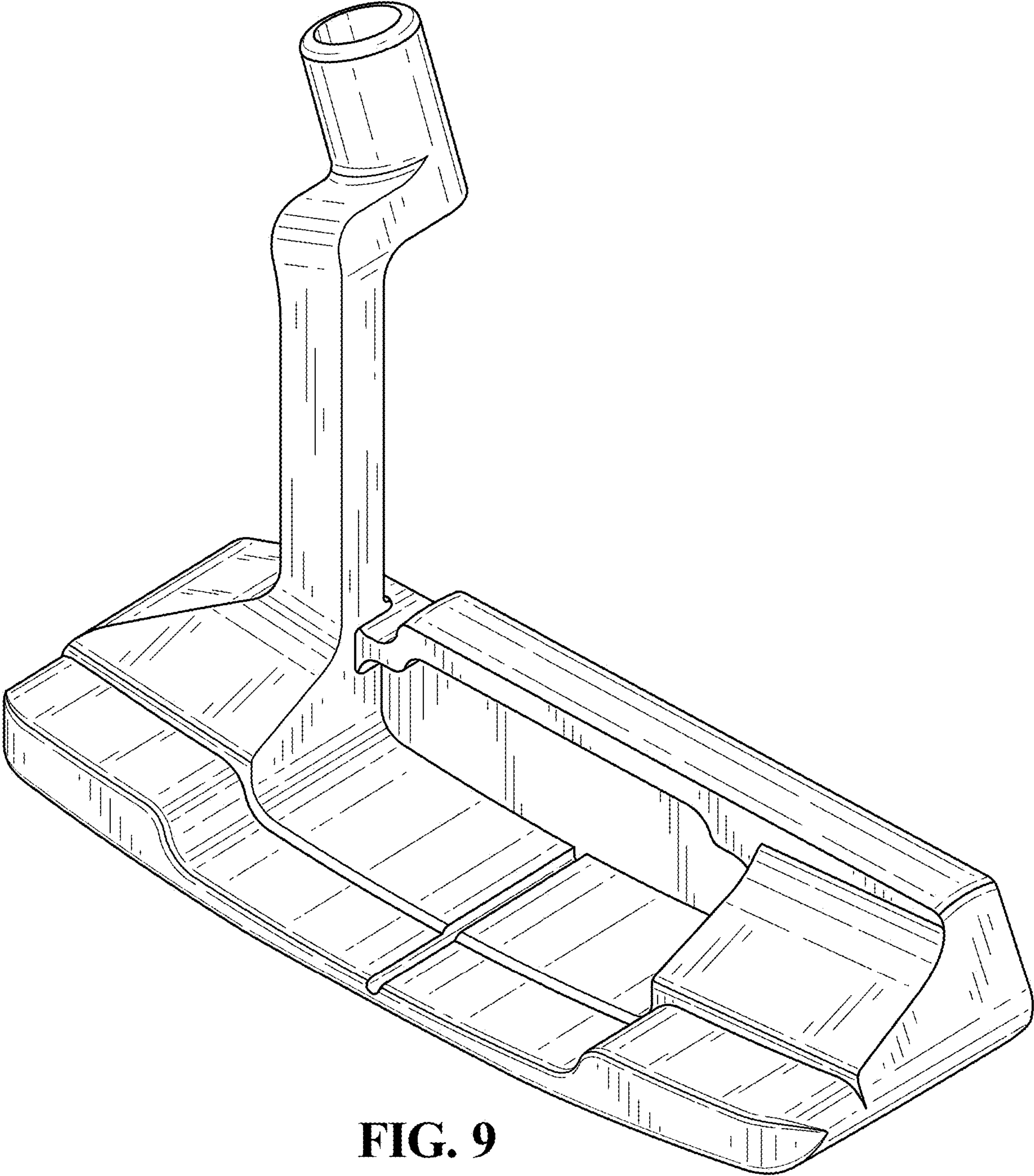


FIG. 9

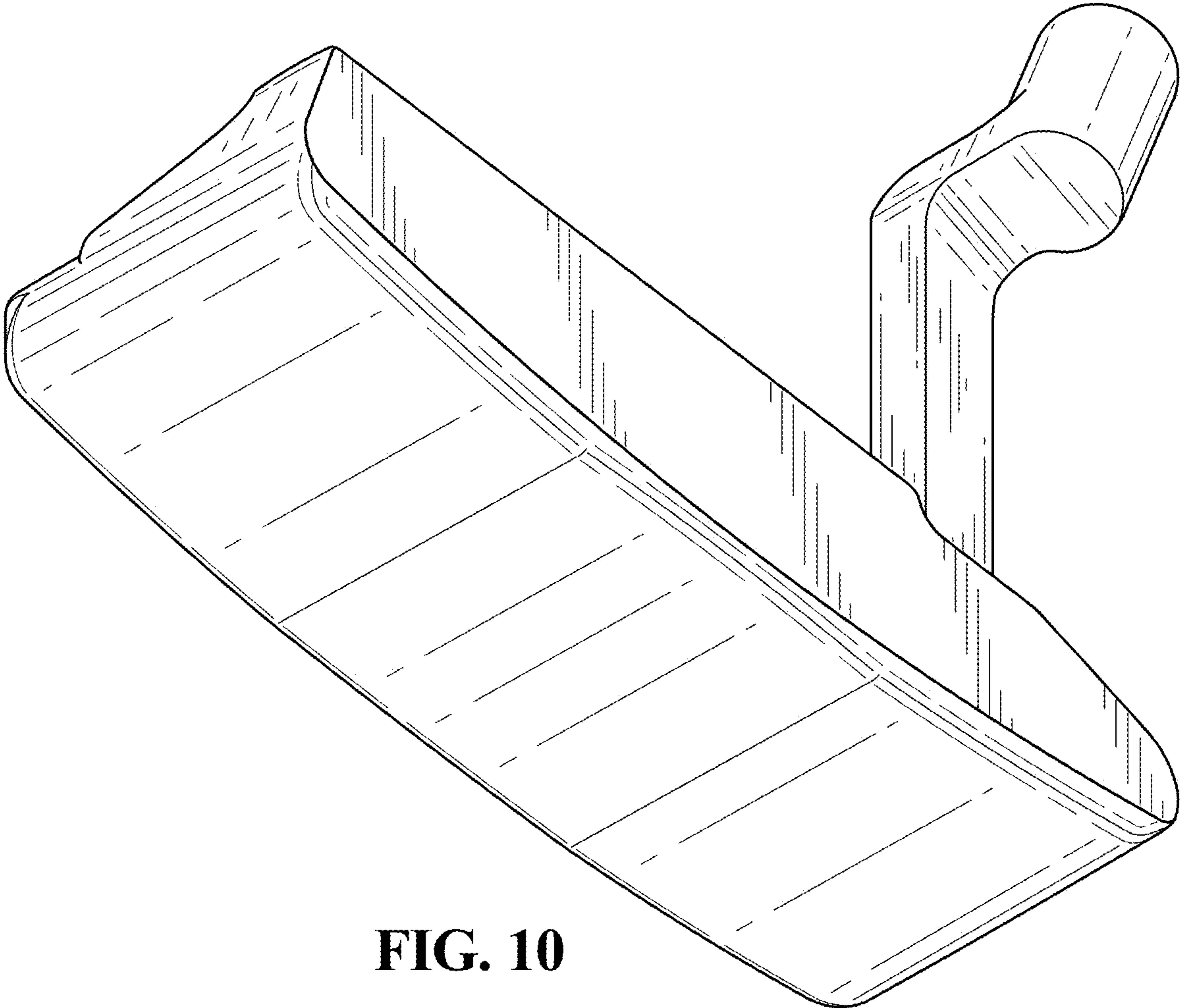


FIG. 10

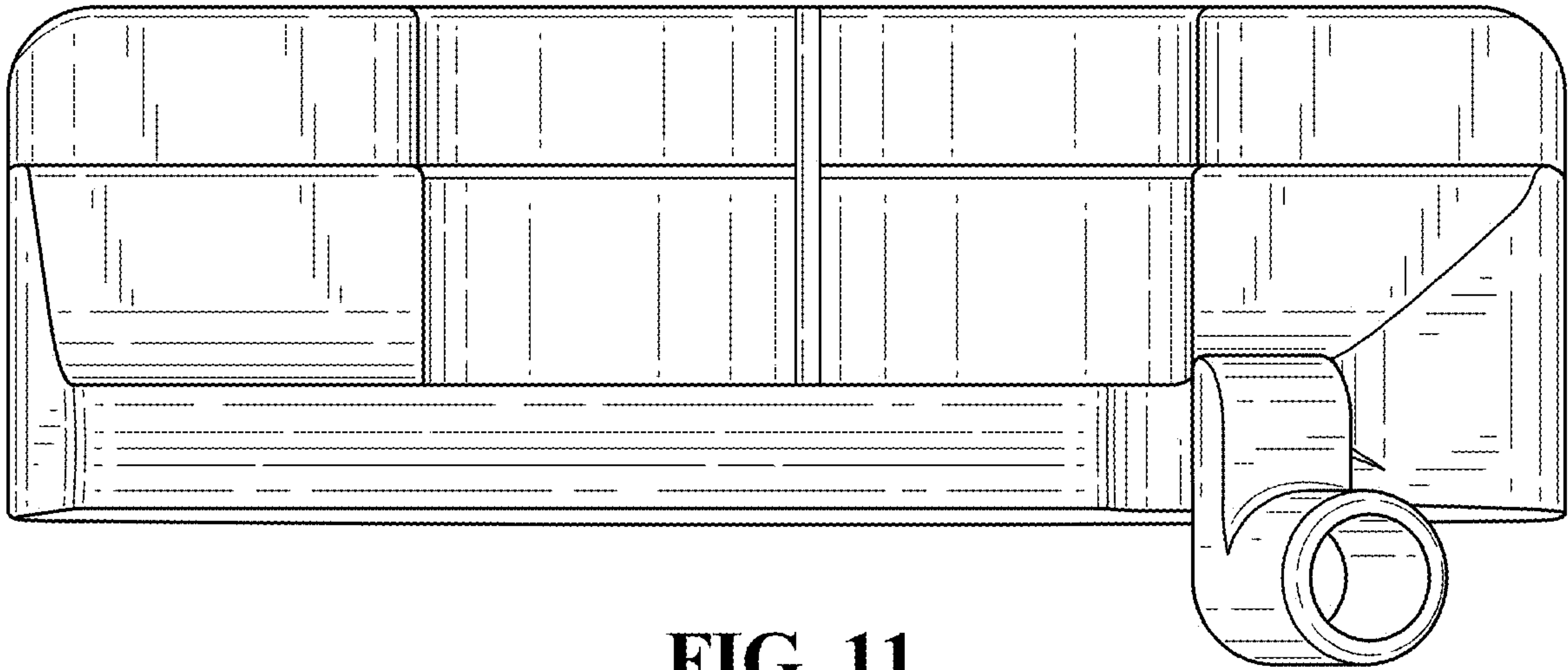


FIG. 11

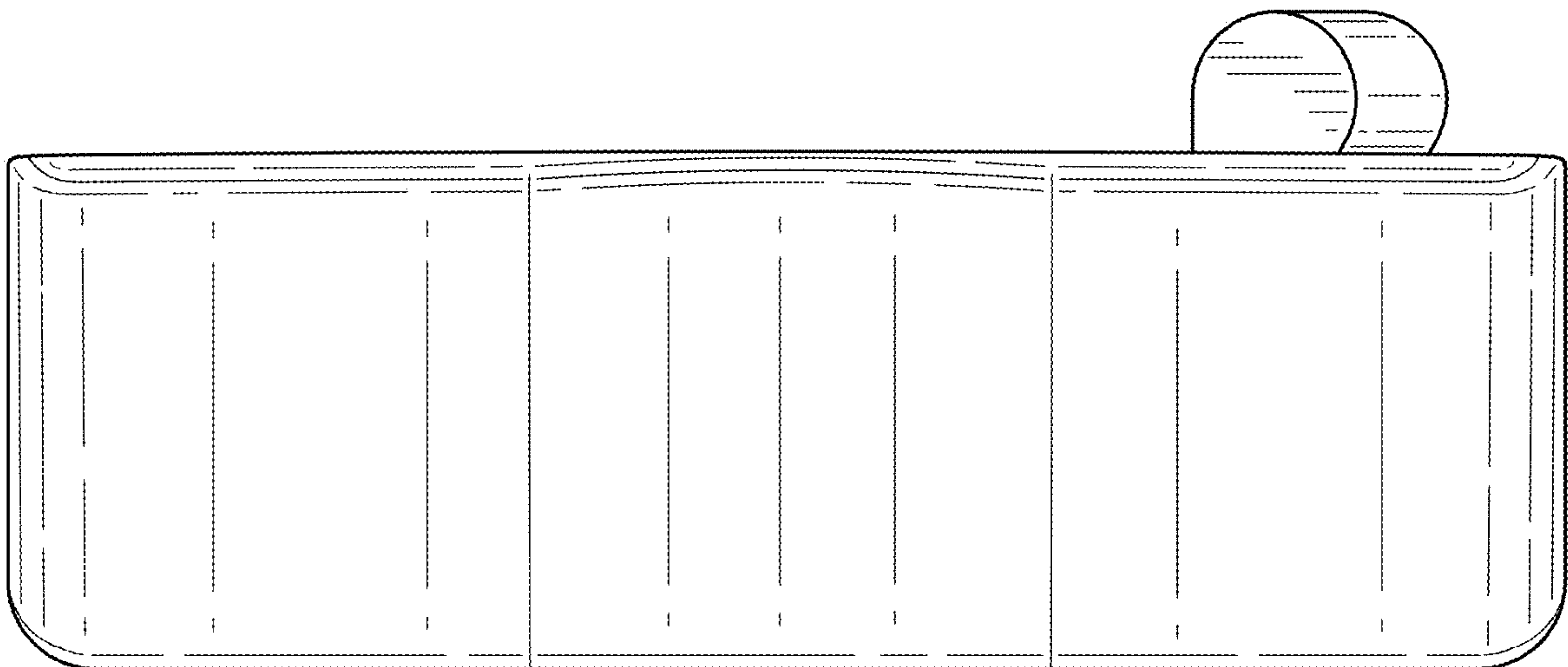


FIG. 12

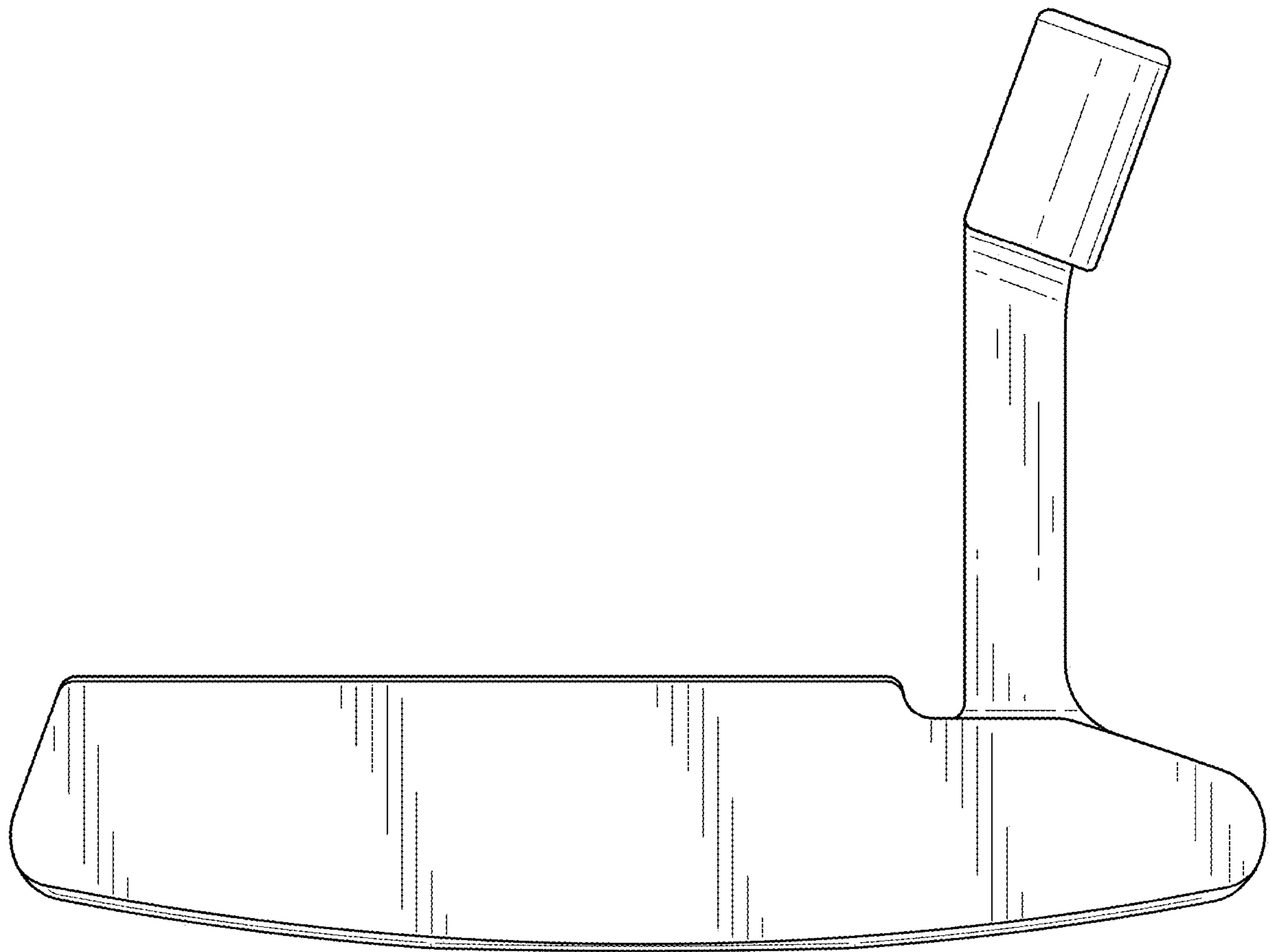


FIG. 13

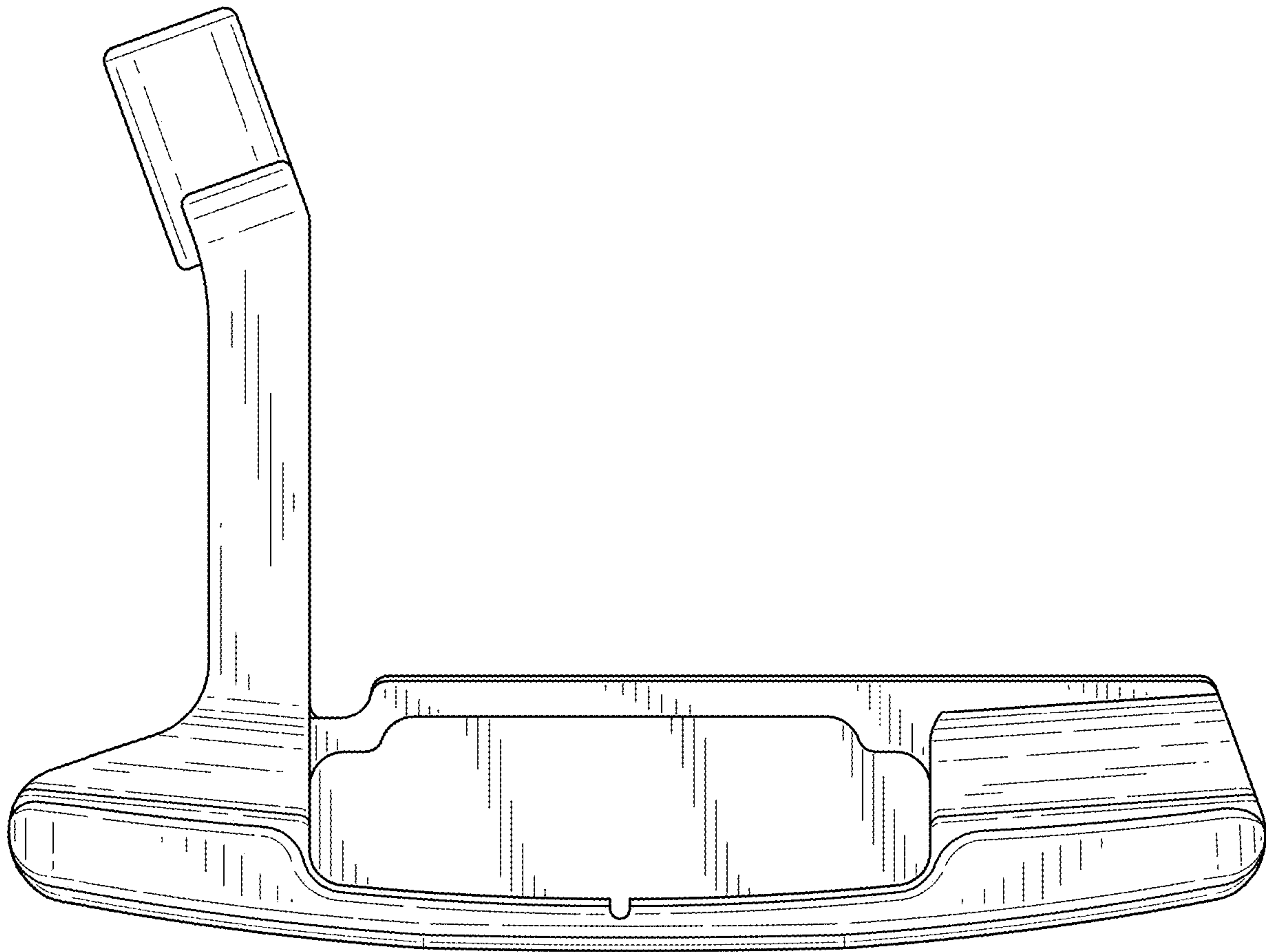


FIG. 14

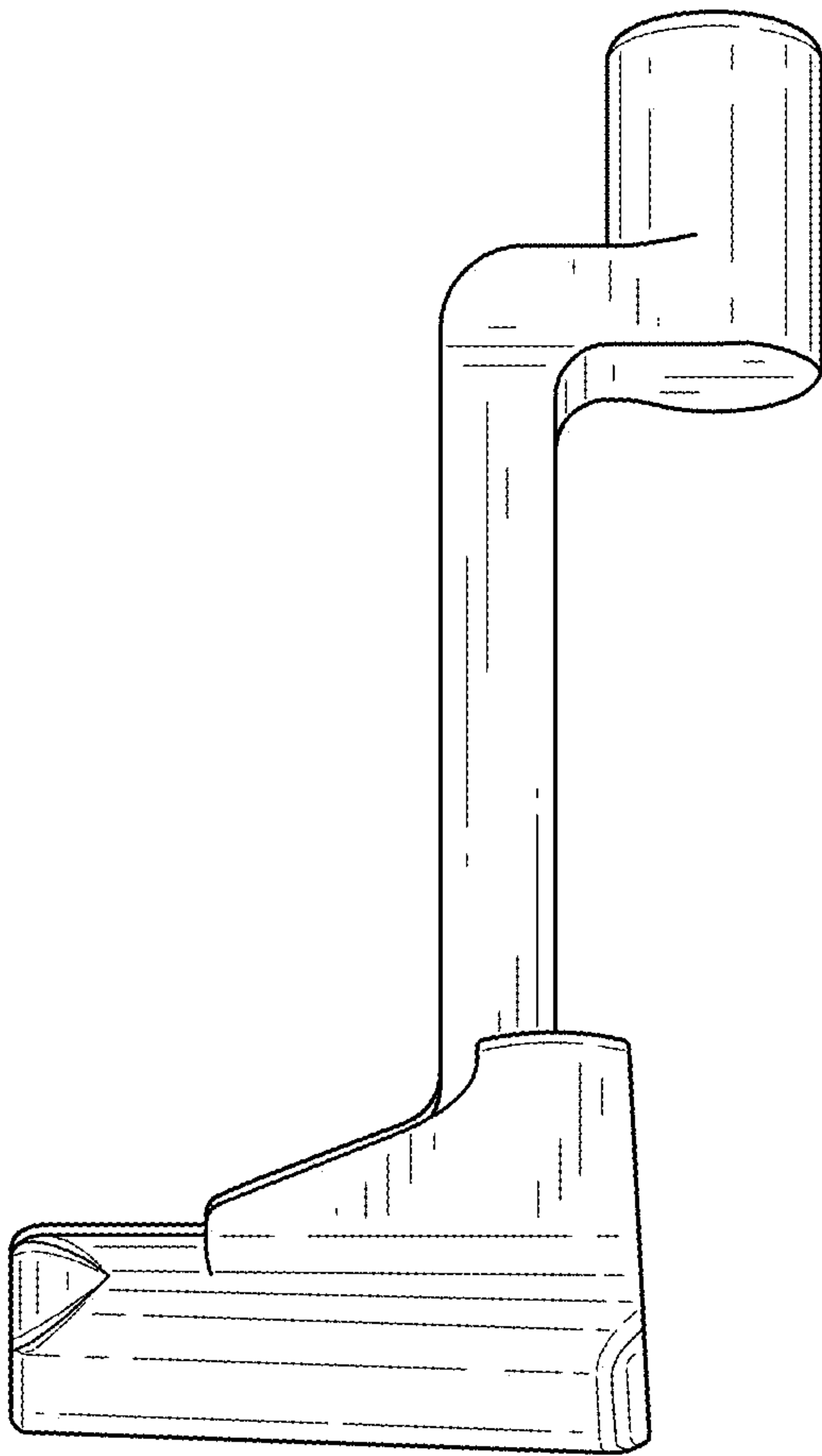


FIG. 16

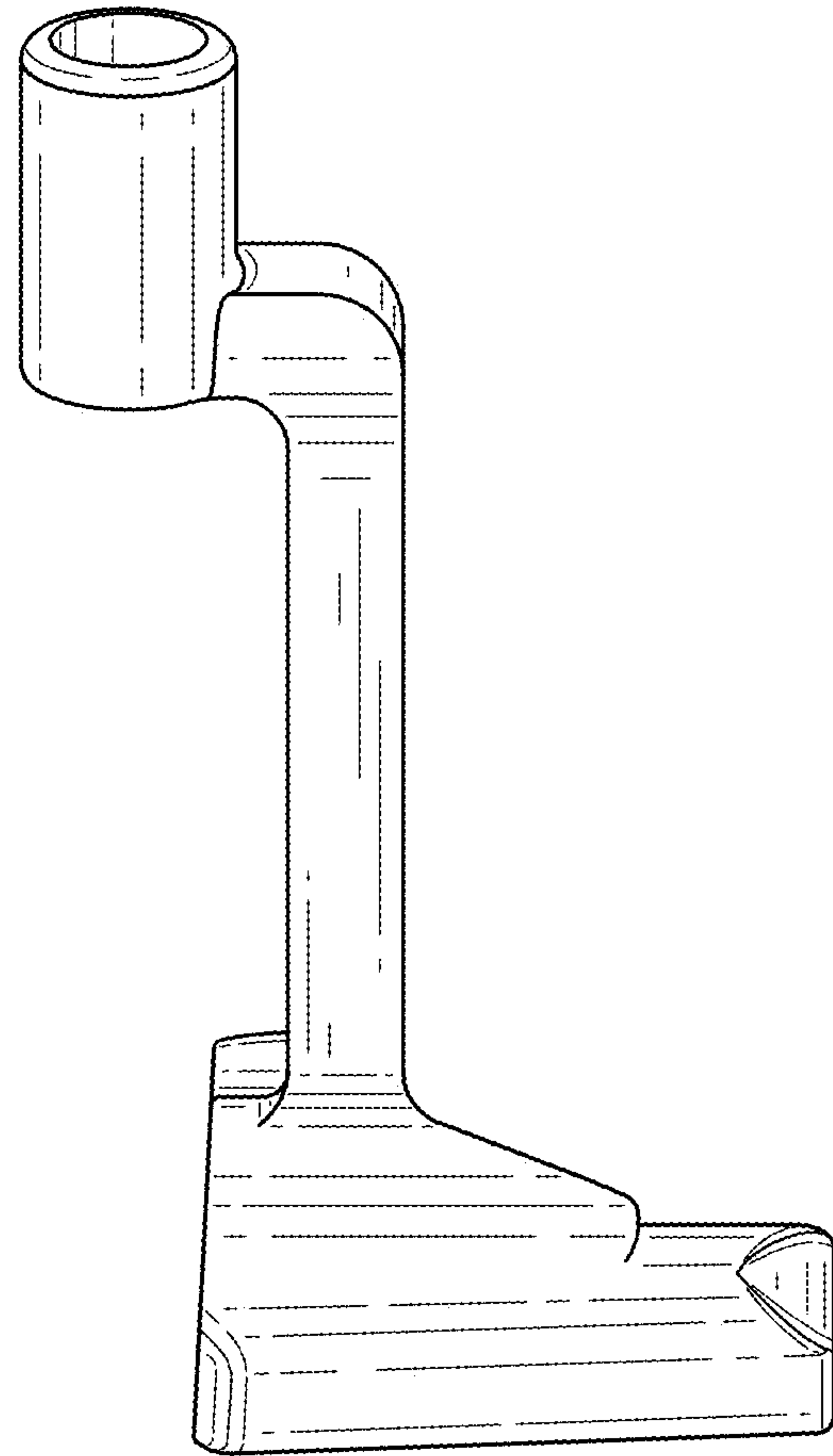


FIG. 15