



US00D928257S

(12) **United States Design Patent**
Horita et al.

(10) **Patent No.:** **US D928,257 S**

(45) **Date of Patent:** **** *Aug. 17, 2021**

(54) **FITNESS DEVICE DISPLAY PANEL**

(71) Applicant: **Peloton Interactice Inc.**, New York, NY (US)

(72) Inventors: **Sean K. Horita**, Woodinville, WA (US); **Elijah E. Hooper**, Seattle, WA (US)

(73) Assignee: **Peloton Interactive, Inc.**, New York, NY (US)

(*) Notice: This patent is subject to a terminal disclaimer.

(**) Term: **15 Years**

(21) Appl. No.: **29/701,910**

(22) Filed: **Aug. 15, 2019**

(51) **LOC (13) Cl.** **21-01**

(52) **U.S. Cl.**
USPC **D21/696**

(58) **Field of Classification Search**
USPC D21/324–325, 662–663, 666–668, 670, D21/696

See application file for complete search history.

(56) **References Cited**

U.S. PATENT DOCUMENTS

D408,477 S	4/1999	Arnold et al.	
D410,978 S	6/1999	Littrell et al.	
D412,192 S	7/1999	Birrell et al.	
D427,156 S	6/2000	Arnold et al.	
D429,781 S	8/2000	Arnold et al.	
D438,579 S *	3/2001	Arnold	D21/696
D439,289 S	3/2001	Moran et al.	
D440,612 S	4/2001	Arnold et al.	
6,388,877 B1 *	5/2002	Canova, Jr.	G06F 1/1626 312/223.2
D464,689 S	10/2002	May et al.	

(Continued)

OTHER PUBLICATIONS

“P62 860 Line Cardio Console” Nov. 15, 2016, site visited Sep. 2, 2020: <https://web.archive.org/web/20161115032941/https://www.precor.com/en-us/commercial/cardio/consoles/p62> (Year: 2016).*

(Continued)

Primary Examiner — Michael C Stout

Assistant Examiner — Melvin L Davis

(74) *Attorney, Agent, or Firm* — Haynes and Boone, LLP

(57) **CLAIM**

We claim the ornamental design for a fitness device display panel, as shown and described.

DESCRIPTION

FIG. 1 is a front, side perspective view of a fitness device display panel;

FIG. 2 is a rear, side perspective view of the fitness device display panel of FIG. 1;

FIG. 3 is a front view of the fitness device display panel of FIG. 1;

FIG. 4 is a rear view of the fitness device display panel of FIG. 1;

FIG. 5 is a first side view of the fitness device display panel of FIG. 1;

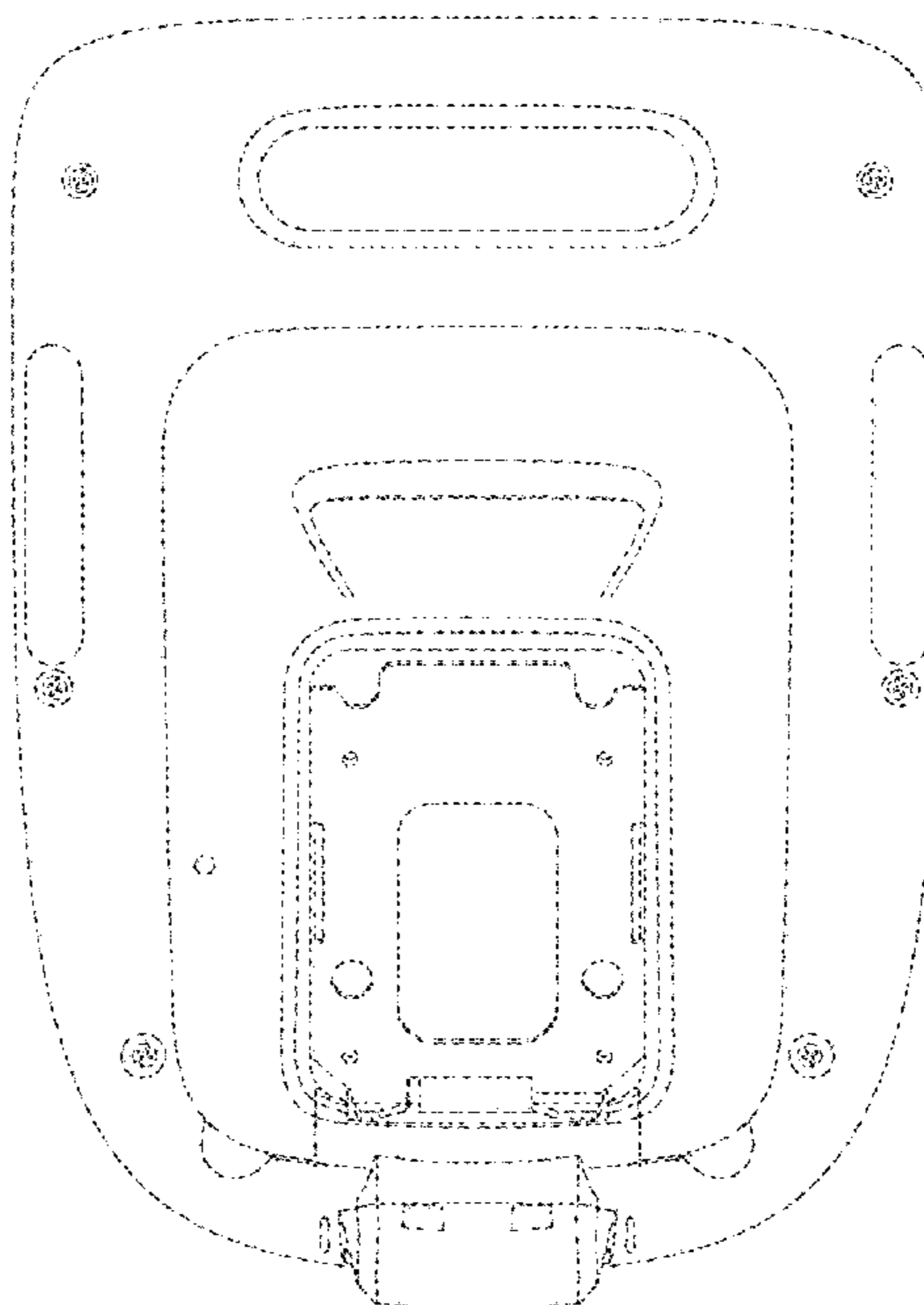
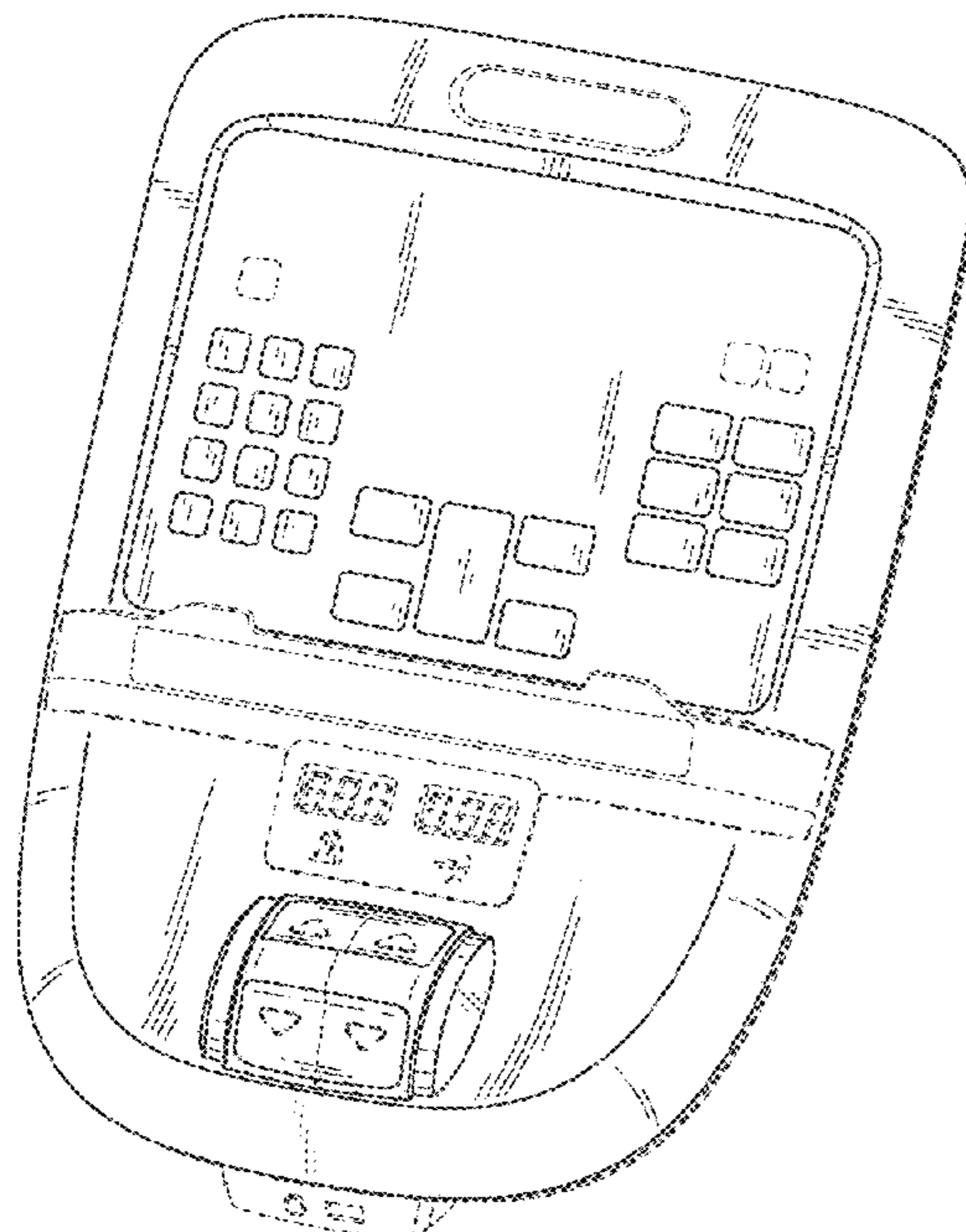
FIG. 6 is a second side view of the fitness device display panel of FIG. 1;

FIG. 7 is a top view of the fitness device display panel of FIG. 1; and,

FIG. 8 is a bottom view of the fitness device display panel of FIG. 1.

The ornamental design that is claimed is shown in solid lines in the drawings. The dashed lines shown in FIGS. 1 through 8 are included for the purpose of illustrating environmental elements only and form no part of the claimed design.

1 Claim, 7 Drawing Sheets



(56)

References Cited

U.S. PATENT DOCUMENTS

D465,000 S 10/2002 Arnold et al.
 D495,418 S * 8/2004 Rounds D24/169
 D496,461 S * 9/2004 Neel D24/169
 D504,953 S * 5/2005 Ryan D24/200
 D522,657 S * 6/2006 Murphy D24/169
 D546,404 S * 7/2007 Chen D21/696
 D547,401 S 7/2007 Olason
 D555,021 S * 11/2007 Rounds D10/78
 D555,601 S 11/2007 Olason
 D557,359 S 12/2007 Olason et al.
 D557,360 S 12/2007 Olason et al.
 D559,801 S 1/2008 Olason
 D567,315 S 4/2008 Horita
 D585,135 S * 1/2009 Mori D24/169
 D589,098 S 3/2009 Horita
 D591,368 S 4/2009 Olason
 D597,301 S * 8/2009 Richardson D3/201

D612,274 S * 3/2010 Heidemann D10/78
 D612,279 S * 3/2010 Heidemann D10/103
 7,901,323 B2 3/2011 Olason et al.
 D643,077 S 8/2011 Olason et al.
 D643,484 S 8/2011 Olason et al.
 D650,079 S * 12/2011 Presta D24/169
 D651,264 S 12/2011 Olason et al.
 D663,367 S 7/2012 Olason et al.
 D696,404 S * 12/2013 Golnik D24/169
 D700,702 S * 3/2014 Kolb D24/169
 D712,431 S 9/2014 Stroupe et al.
 D734,360 S * 7/2015 Stroupe D14/489

OTHER PUBLICATIONS

“Precor P82 Service Manual” Aug. 2016, site visited Oct. 16, 2020:
<https://precor.mcoutput.com/114113/Content/PDF/P82ConsoleServiceManual-20039-181.pdf> (Year: 2016).*

* cited by examiner

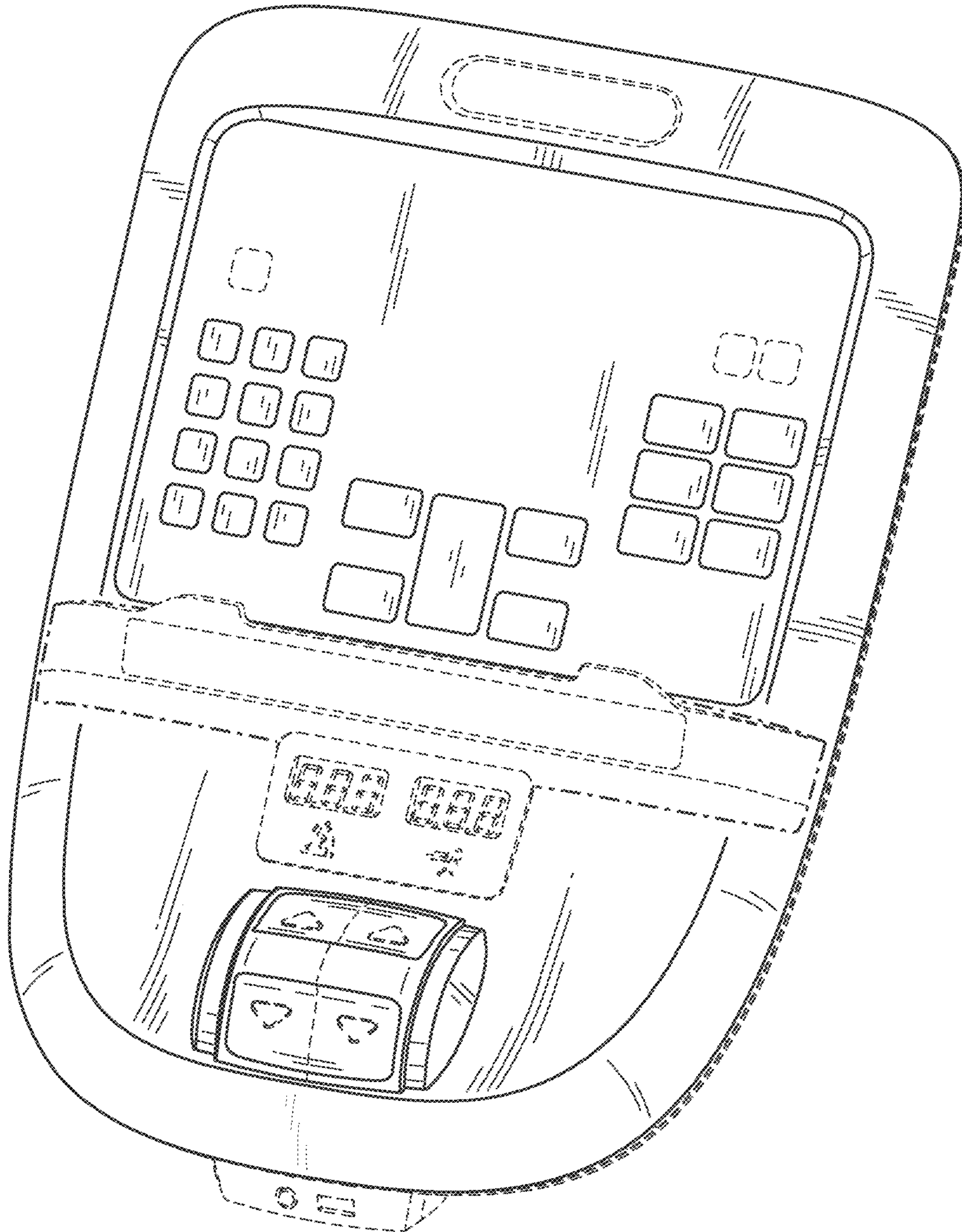


FIG. 1

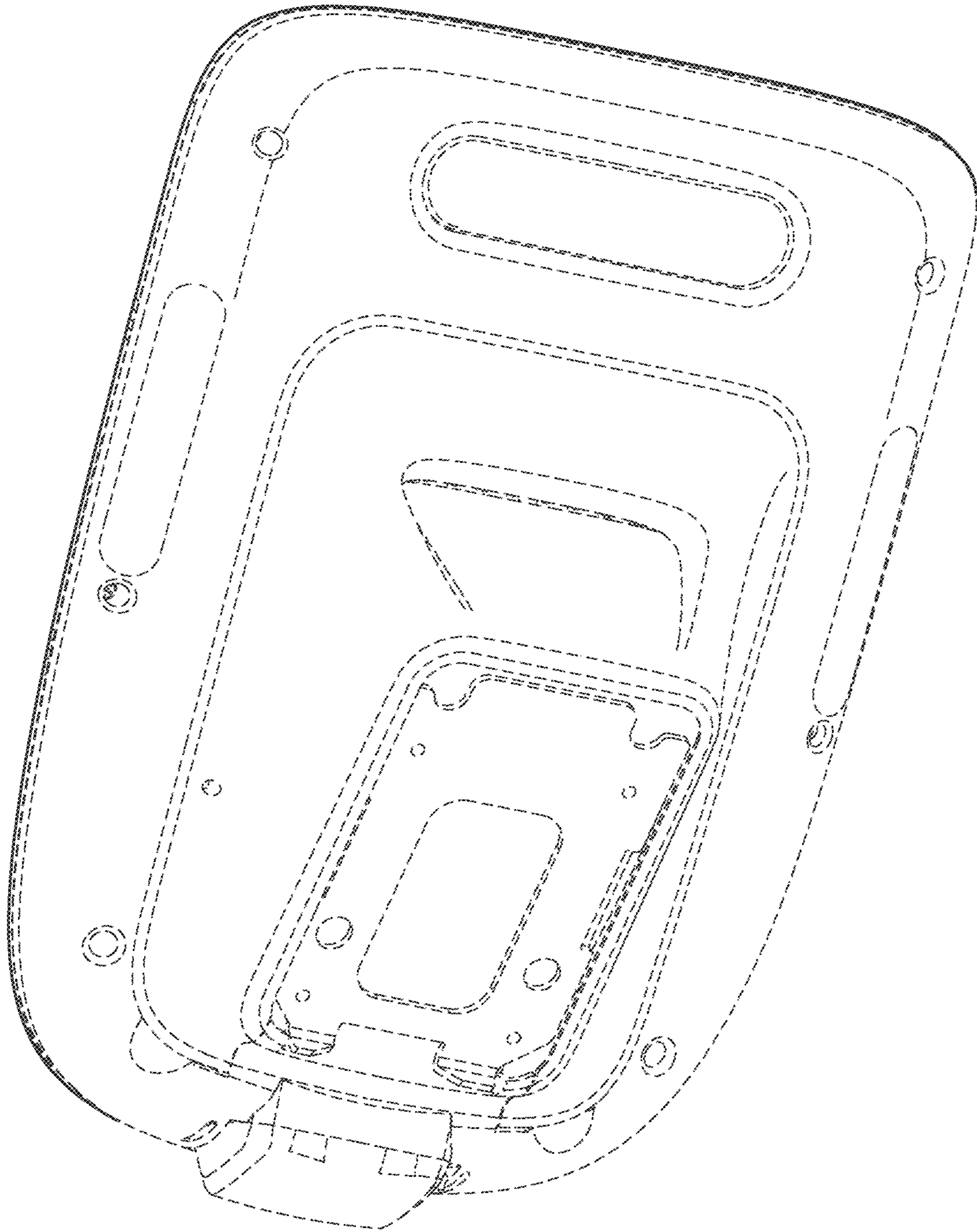


FIG. 2

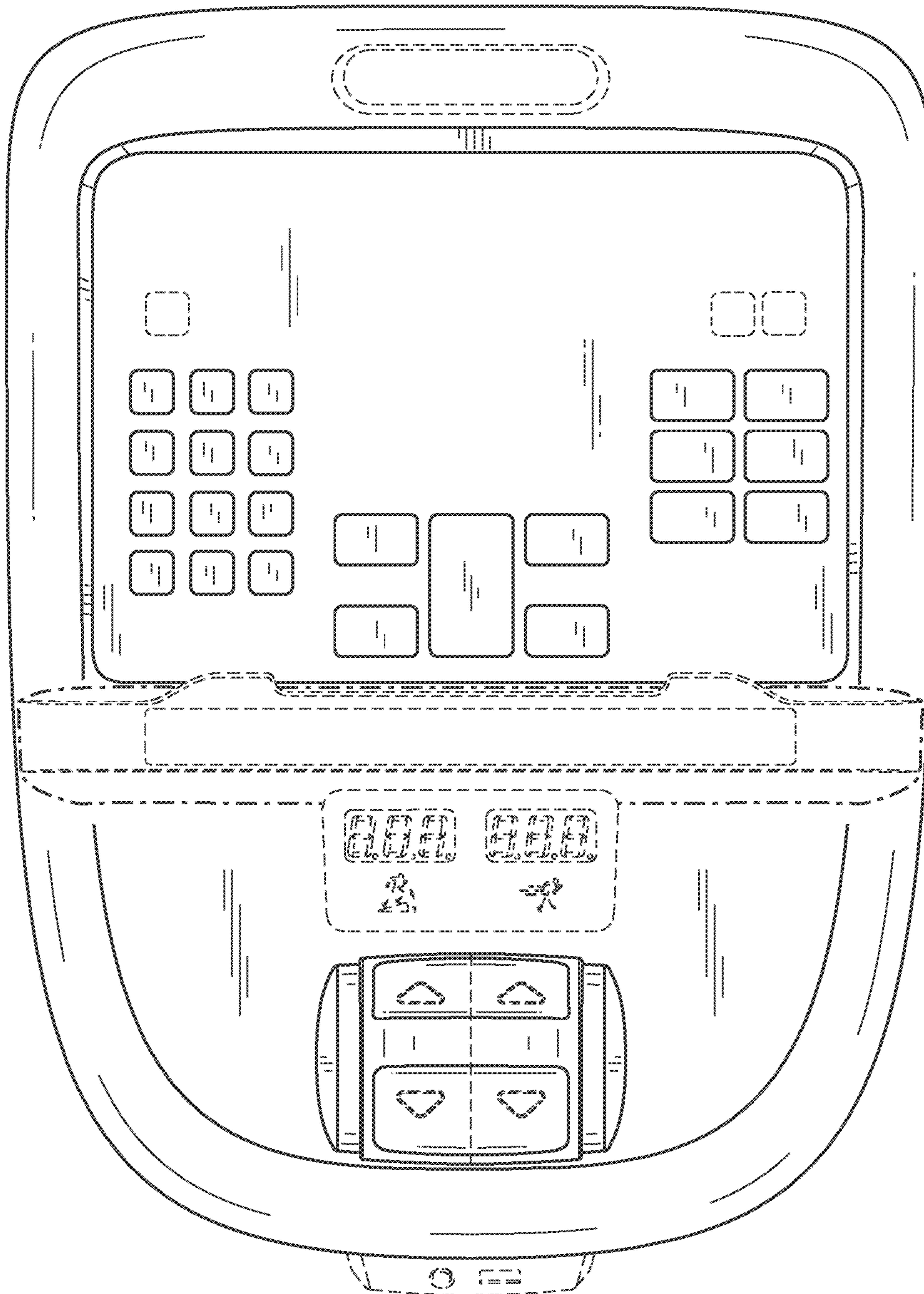


FIG. 3

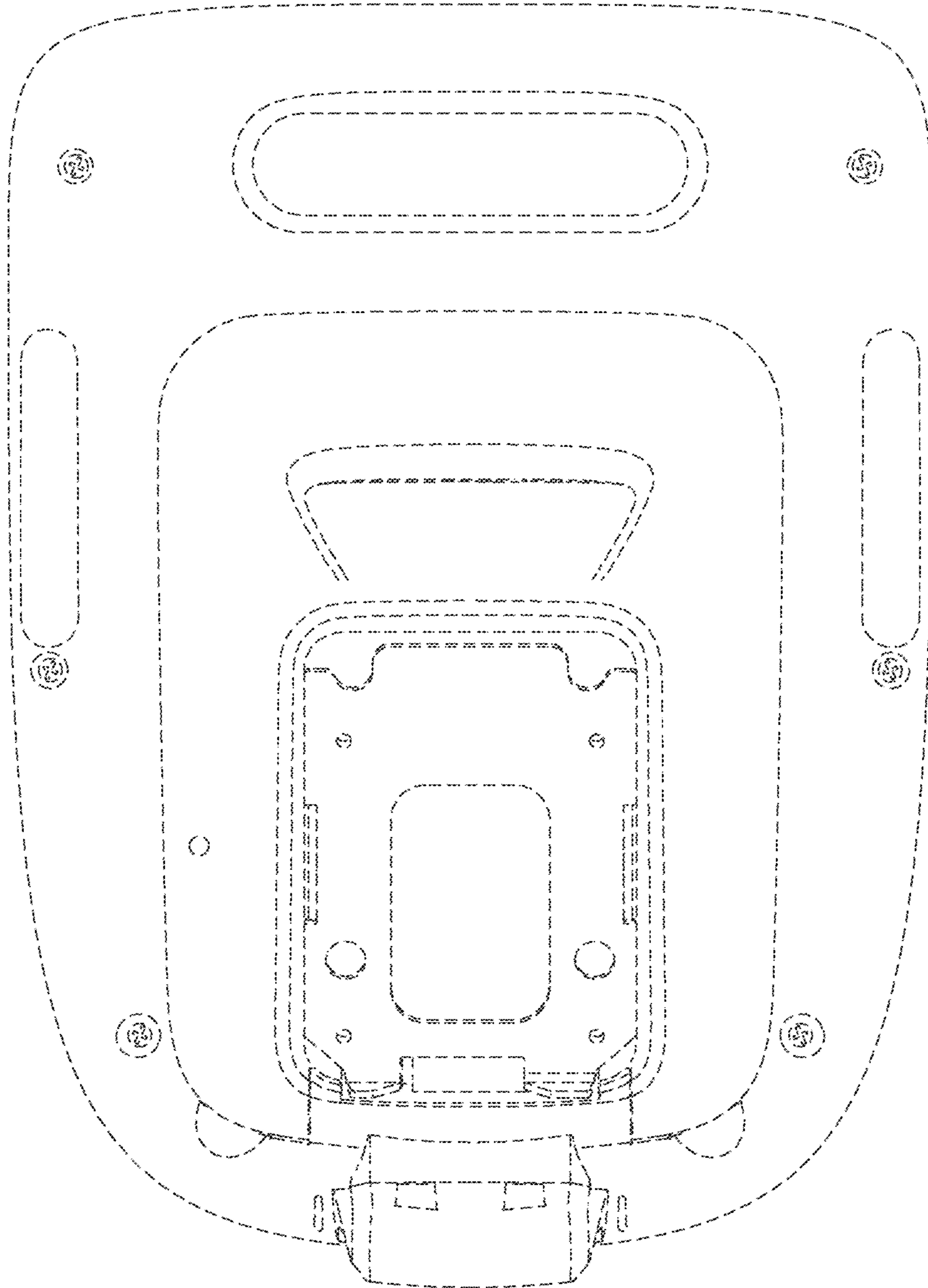


FIG. 4

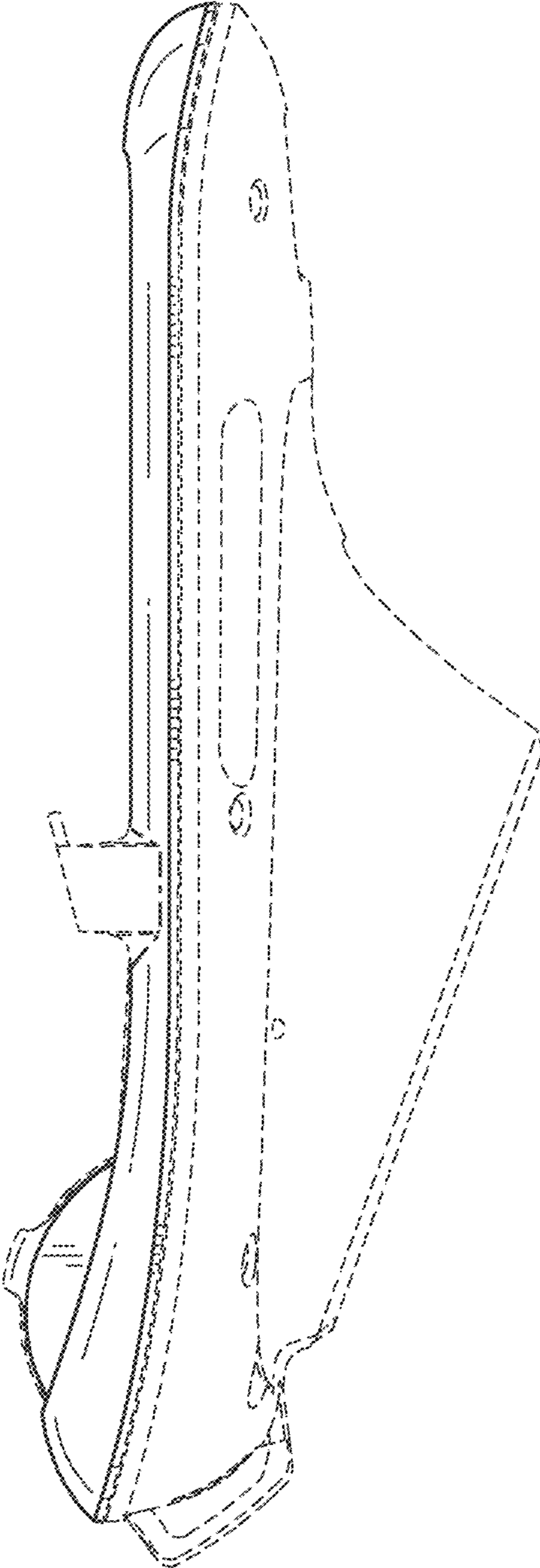


FIG. 5

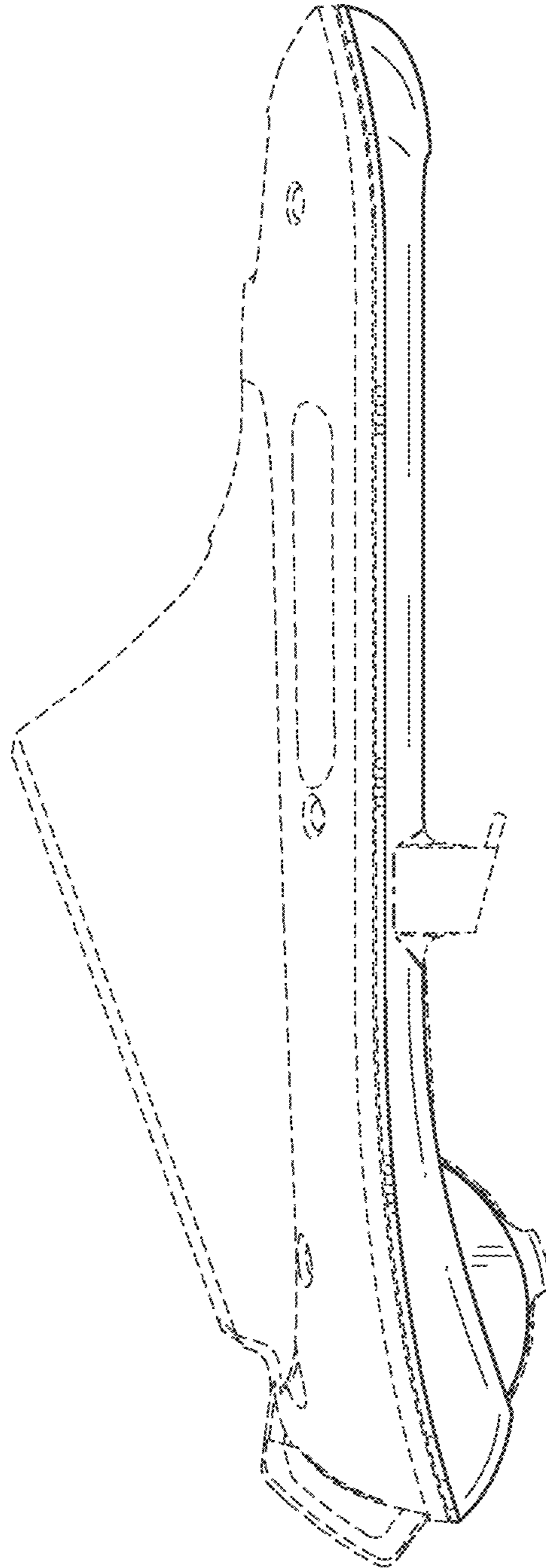


FIG. 6

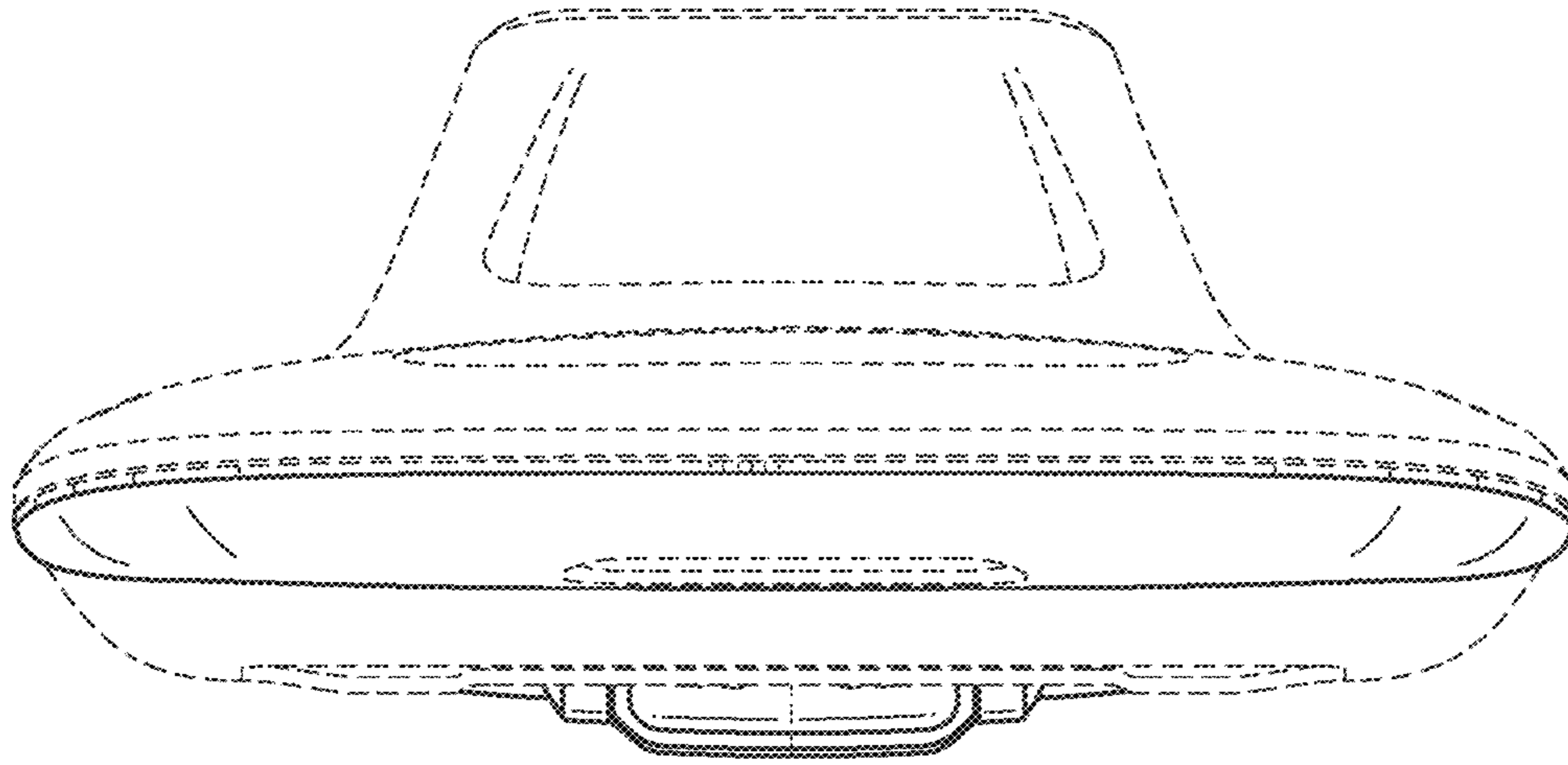


FIG. 7

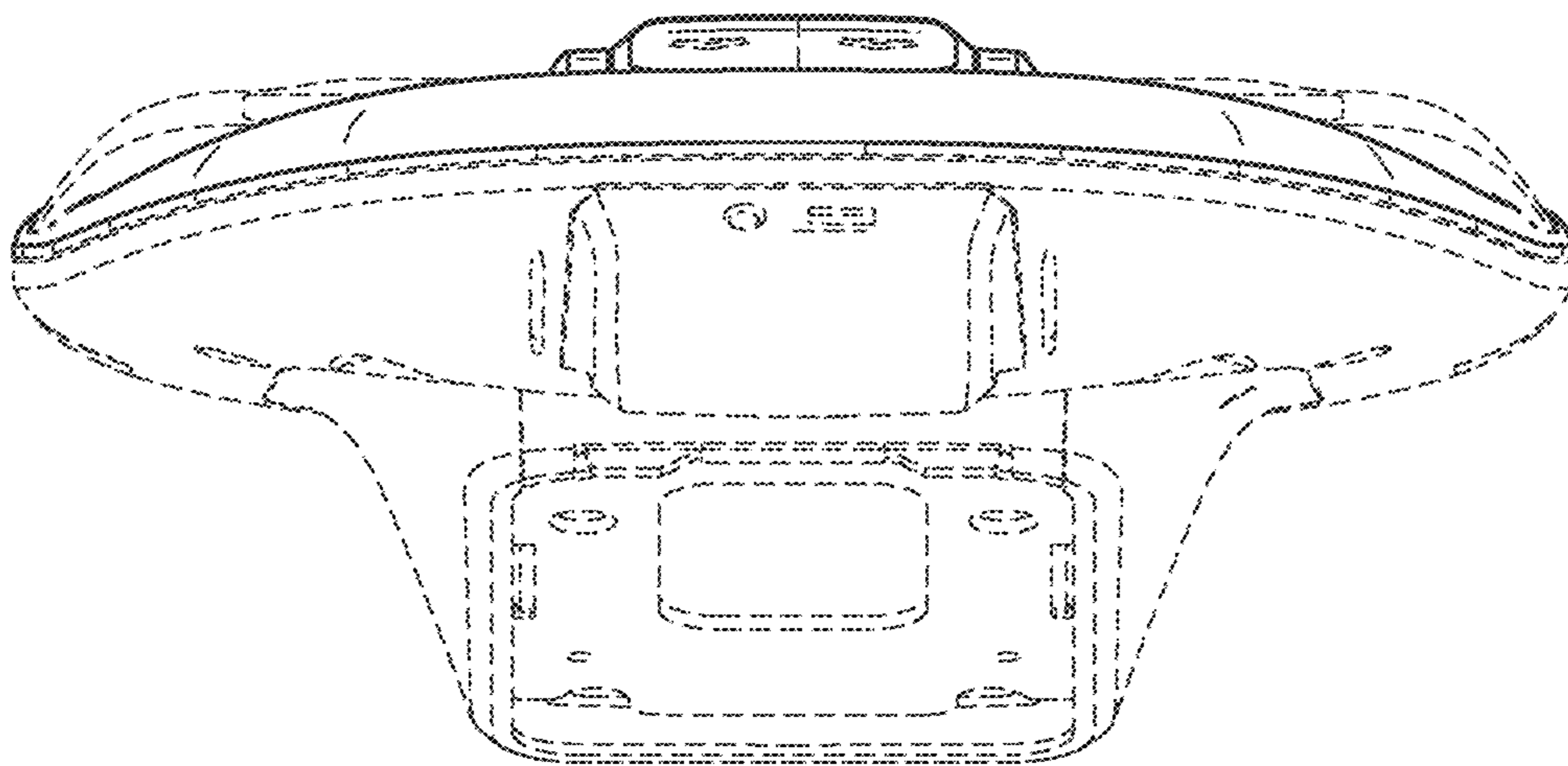


FIG. 8