



US00D928256S

(12) **United States Design Patent** (10) **Patent No.:** **US D928,256 S**
Sergakis (45) **Date of Patent:** **** *Aug. 17, 2021**

(54) **ARTICULATING HOLDER**
(71) Applicant: **Coulter Ventures, LLC.**, Columbus, OH (US)
(72) Inventor: **Emmanuel Sergakis**, Plain City, OH (US)
(73) Assignee: **Coulter Ventures, LLC.**, Columbus, OH (US)
(*) Notice: This patent is subject to a terminal disclaimer.
(**) Term: **15 Years**
(21) Appl. No.: **29/661,660**
(22) Filed: **Aug. 29, 2018**
(51) **LOC (13) Cl.** **21-02**
(52) **U.S. Cl.**
USPC **D21/694**
(58) **Field of Classification Search**
USPC D21/694, 673, 679; D14/447-452, 336, D14/341, 371, 373, 374, 375, 376, 377, D14/126, 127, 128, 129
CPC F16M 11/105; F16M 11/10; F16M 11/048; F16M 11/12; F16M 13/022; A63B 21/0628; A63B 21/4035; A63B 21/078; A63B 21/075; A63B 21/063; A63B 21/0728; A63B 21/072; A63B 23/1218; A63B 23/1209; A63B 23/12; A63B 21/0783; A63B 21/4017
See application file for complete search history.

5,720,695 A * 2/1998 Eckmann A63B 21/068 248/227.3
D395,892 S * 7/1998 Solomon D14/224
D433,468 S * 11/2000 Rojas D21/680
D456,865 S * 5/2002 Caporali 482/98
6,500,106 B1 12/2002 Fulks
(Continued)

FOREIGN PATENT DOCUMENTS

CA 2748768 A1 * 2/2012 F16M 11/048
FR 1123300 A * 9/1956 F16M 11/2014

OTHER PUBLICATIONS

Product listing for Rogue Landmines from <https://web.archive.org/web/20170529135307/https://www.roguefitness.com/landmines>, dated May 29, 2017.

(Continued)

Primary Examiner — Lauren D McVey
(74) *Attorney, Agent, or Firm* — Banner & Witcoff, Ltd.

(57) **CLAIM**

The ornamental design for an articulating holder, as shown and described.

DESCRIPTION

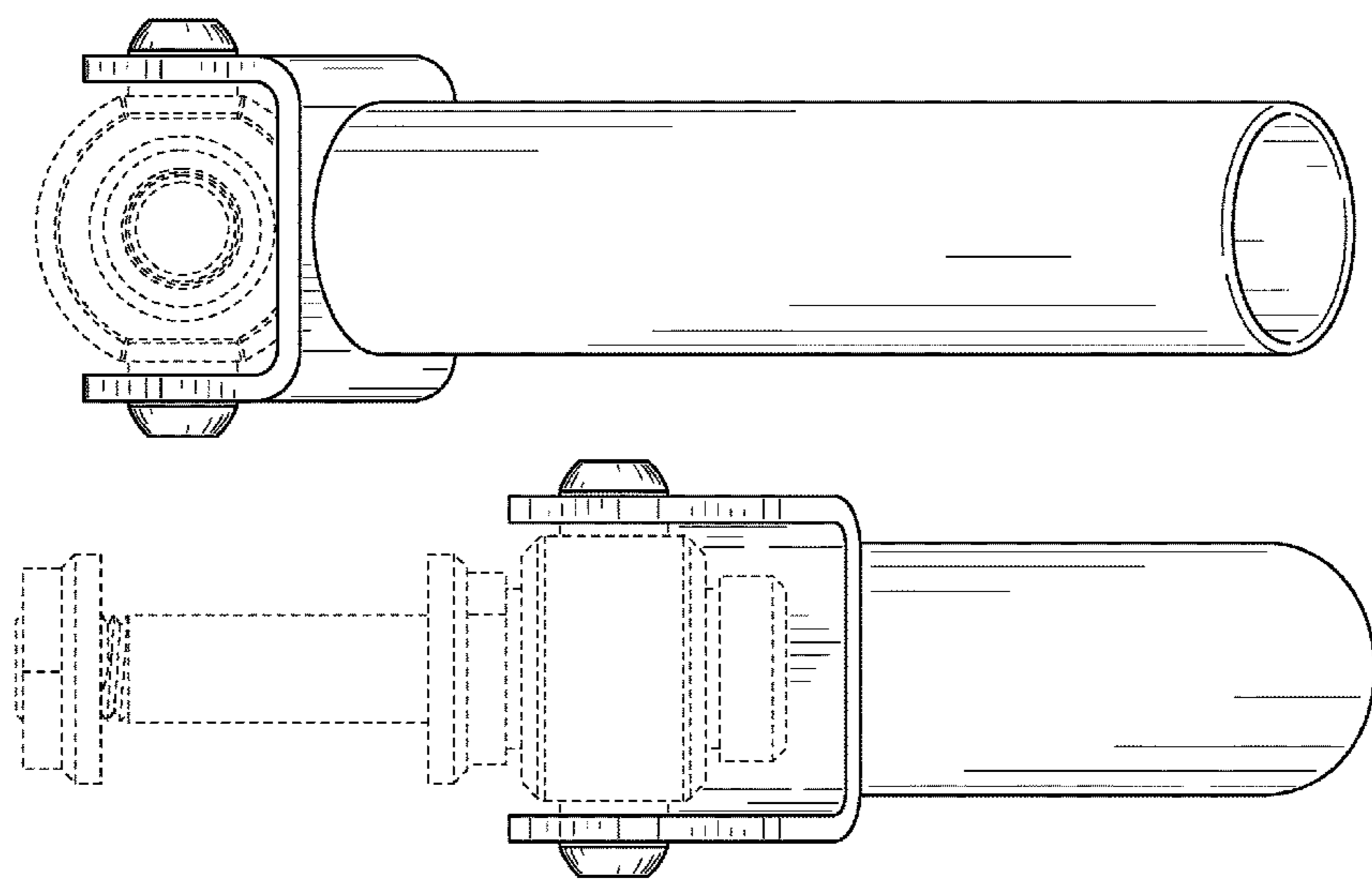
FIG. 1 is a top, front, left perspective view of an articulating holder showing our new design; FIG. 2 is a front view thereof; FIG. 3 is a rear view thereof; FIG. 4 is a left side view thereof; FIG. 5 is a right side view thereof; FIG. 6 is a top view thereof; and, FIG. 7 is a bottom view thereof.
The broken lines immediately adjacent to the claim depict the bounds of the claimed design, and form no part of the claimed design. The broken lines depicting the remainder of the articulating holder show features that form no part of the claimed design.

1 Claim, 5 Drawing Sheets

(56) **References Cited**

U.S. PATENT DOCUMENTS

D236,584 S 9/1975 Svahn et al.
D384,710 S * 10/1997 Pahel D21/694
D385,258 S 10/1997 Littrell
5,713,549 A * 2/1998 Shieh F16M 11/18 248/284.1



(56)

References Cited

U.S. PATENT DOCUMENTS

7,267,314 B1 * 9/2007 Erickson F16M 11/10
108/144.11

7,341,545 B2 3/2008 Cao

D568,324 S * 5/2008 Stenhouse D14/451

D688,674 S 8/2013 Lau et al.

D743,244 S * 11/2015 Anderson D8/394

D797,868 S * 9/2017 Thomas D21/683

D817,742 S 5/2018 Samowski

10,022,582 B2 * 7/2018 Gangemi A63B 23/1245

10,118,437 B1 * 11/2018 Weaver F16M 11/10
D851,186 S 6/2019 Kuka

D873,935 S * 1/2020 Van Den Berg D21/691

D884,097 S 5/2020 Ameri et al.

D890,274 S * 7/2020 Sergakis D21/694

D892,240 S * 8/2020 Sergakis D21/694

D906,448 S * 12/2020 Garcia D21/694

D906,449 S * 12/2020 Garcia D21/694

D912,743 S * 3/2021 Sergakis D21/694

D912,744 S * 3/2021 Sergakis D21/694

2005/0035253 A1 * 2/2005 Rixom F16M 11/041
248/284.1

2005/0266968 A1 12/2005 Cao

2006/0016047 A1 1/2006 Blackman et al.

2011/0079692 A1 * 4/2011 Li F16M 11/105
248/220.21

2016/0199688 A1 7/2016 Briley

2016/0331203 A1 11/2016 Tait et al.

2017/0007872 A1 1/2017 Ho et al.

OTHER PUBLICATIONS

Product listing for Rogue Post Landmine from <https://web.archive.org/web/20170424011516/https://www.roguefitness.com/post-landmine>, dated Apr. 24, 2017.

Product listing for Rogue Monster Landmine from <https://web.archive.org/web/20170717115336/http://www.roguefitness.com/rogue-monster-landmine>, dated Jul. 17, 2017.

* cited by examiner

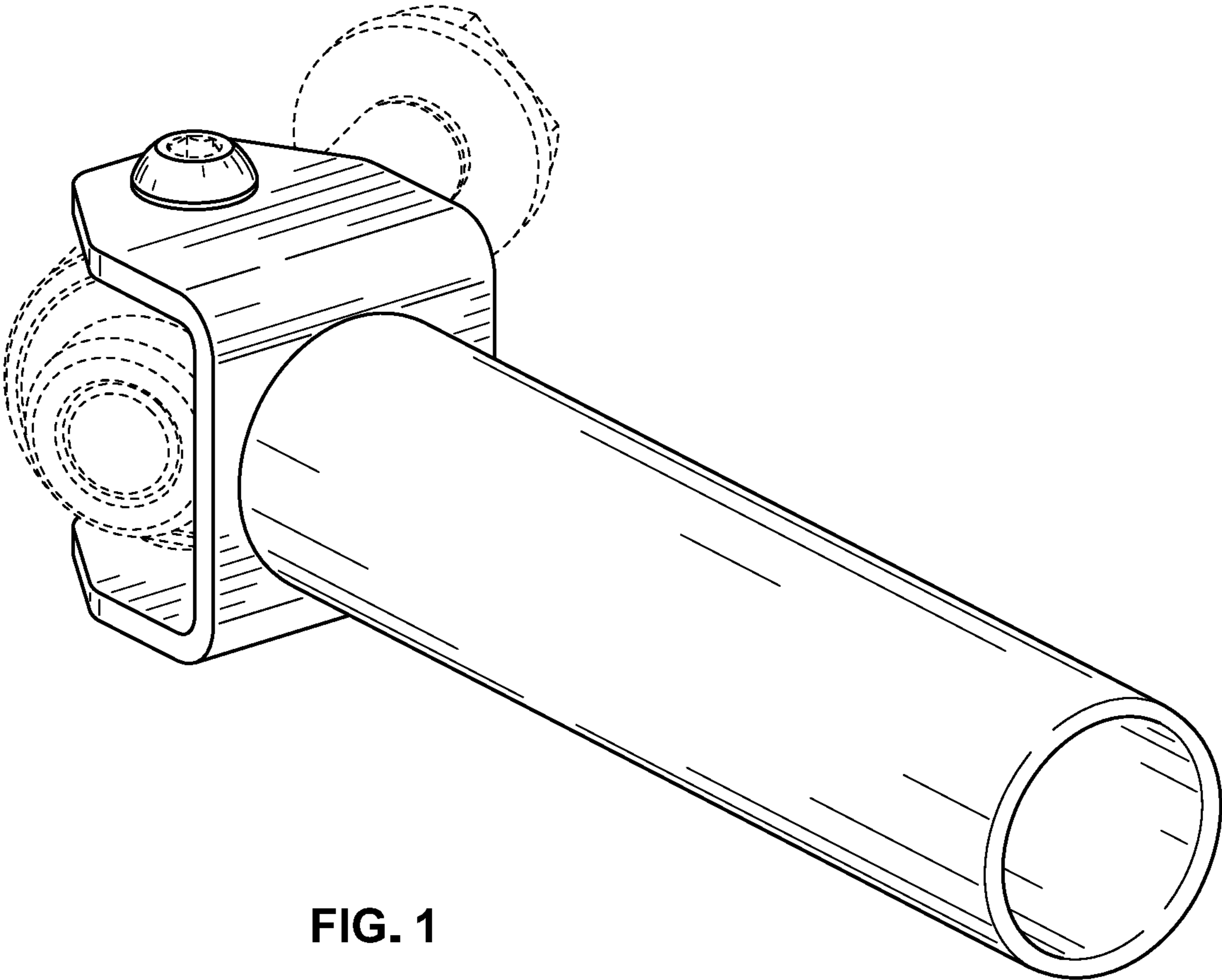


FIG. 1

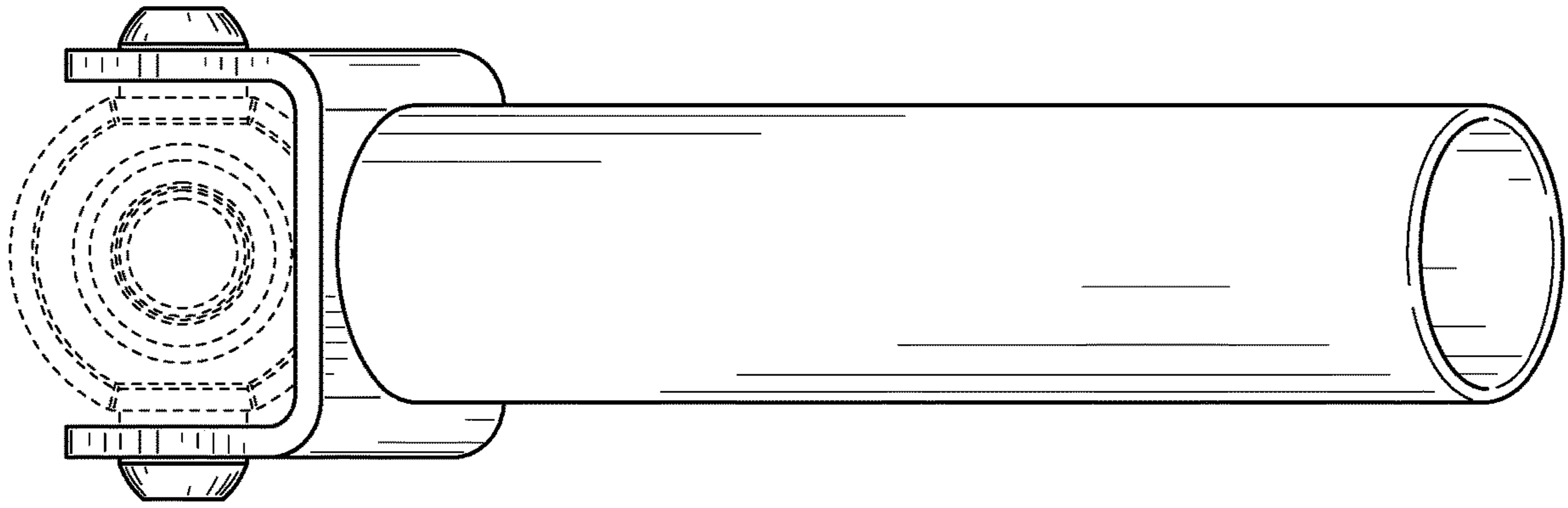


FIG. 2

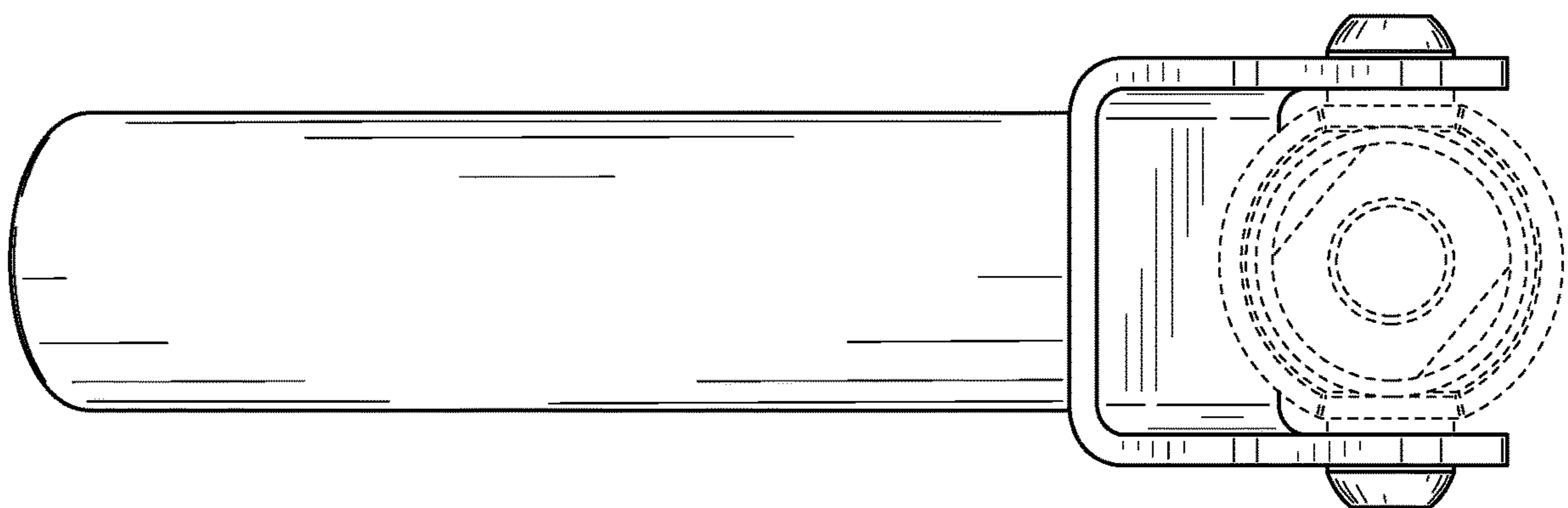


FIG. 3

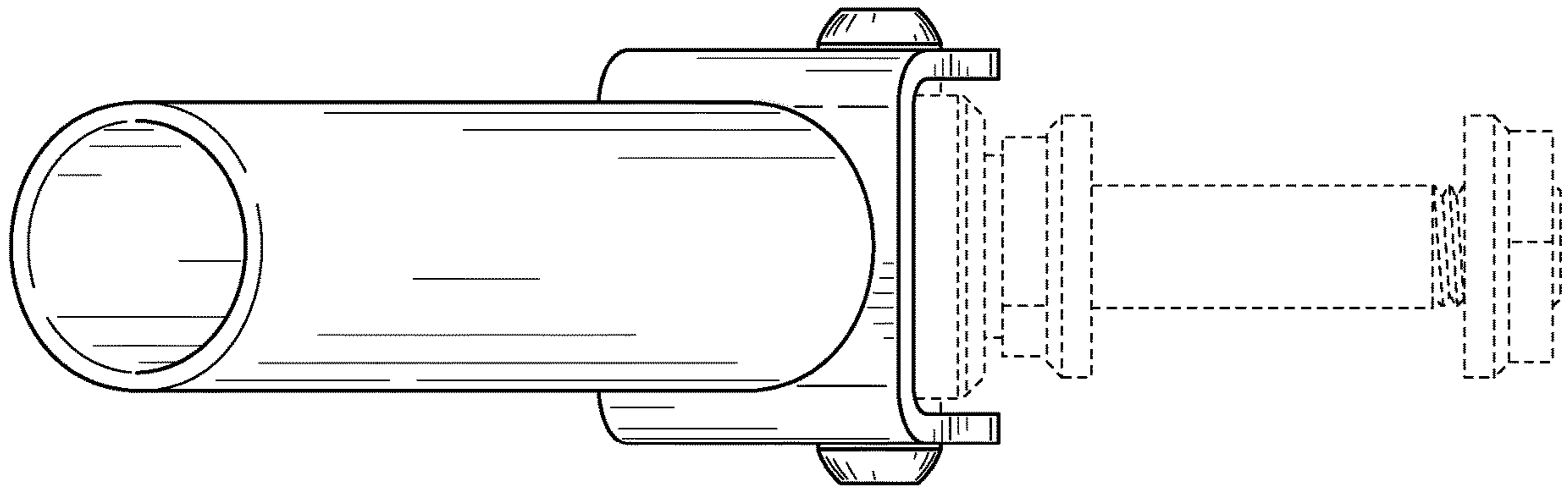


FIG. 4

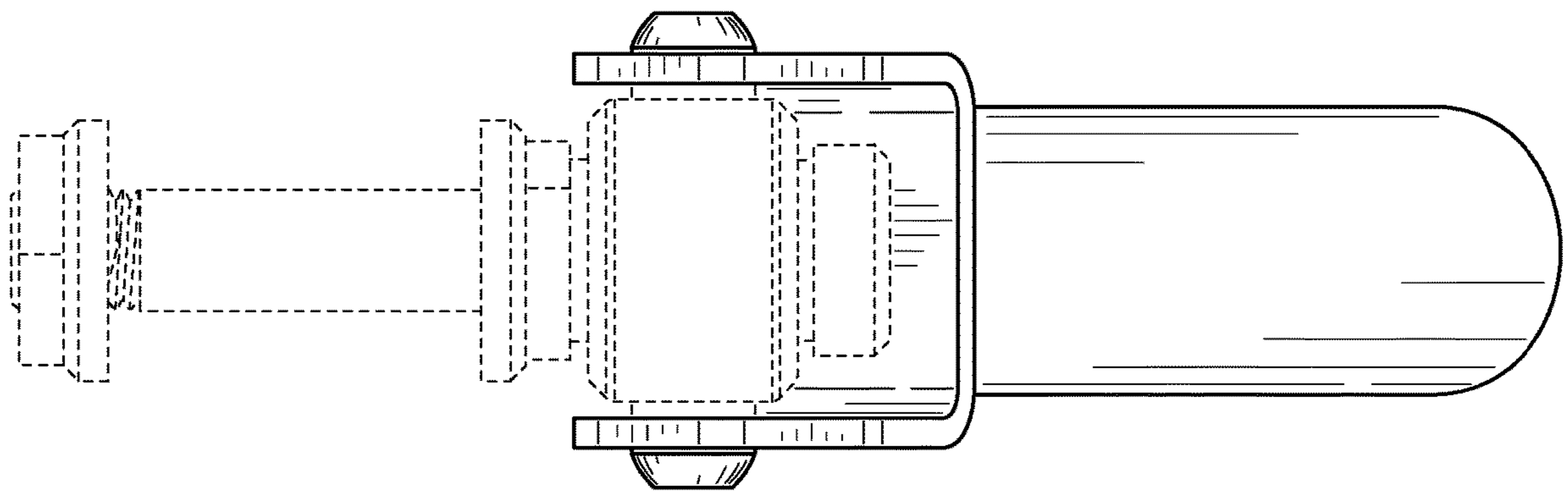


FIG. 5

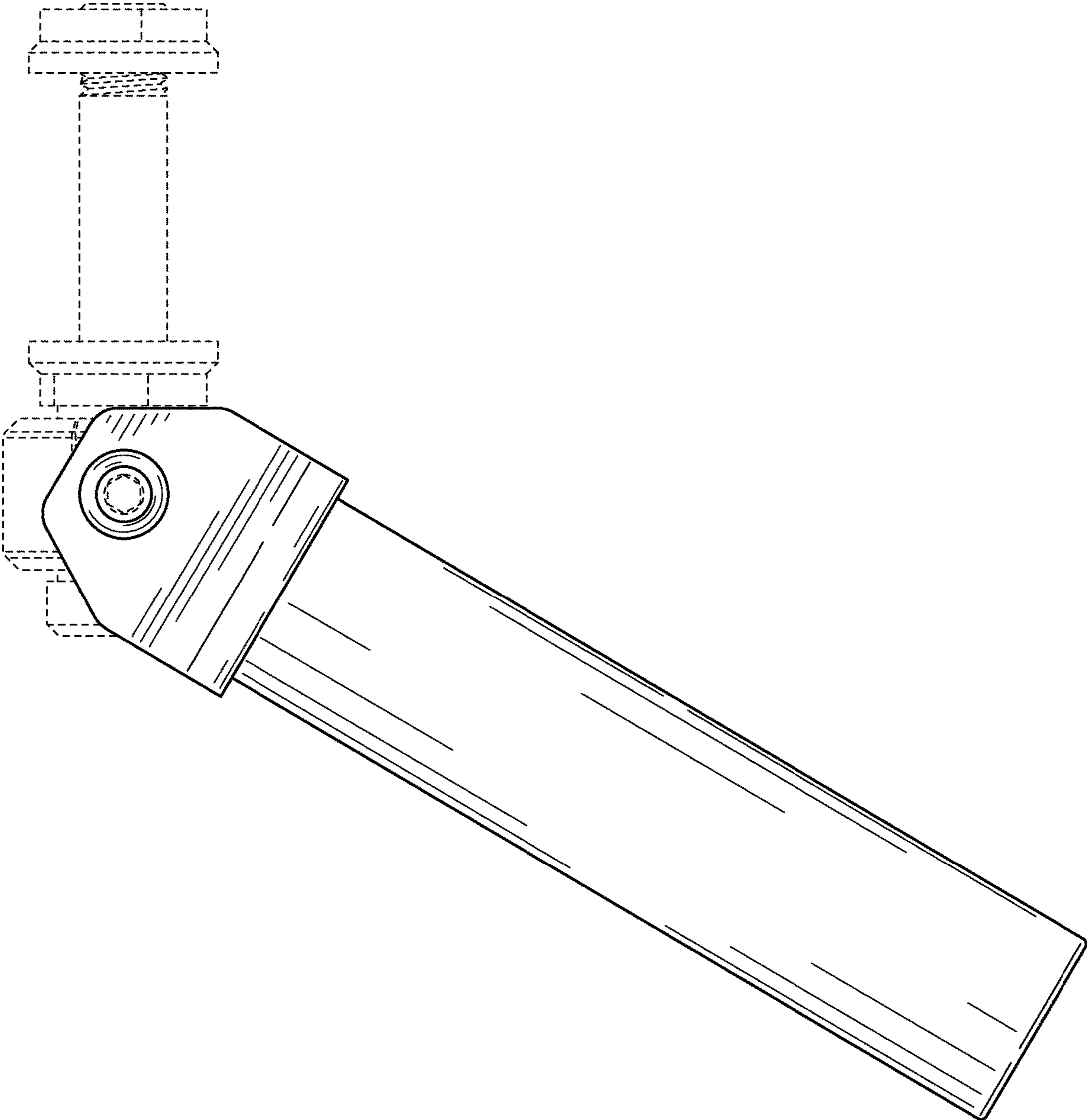


FIG. 6

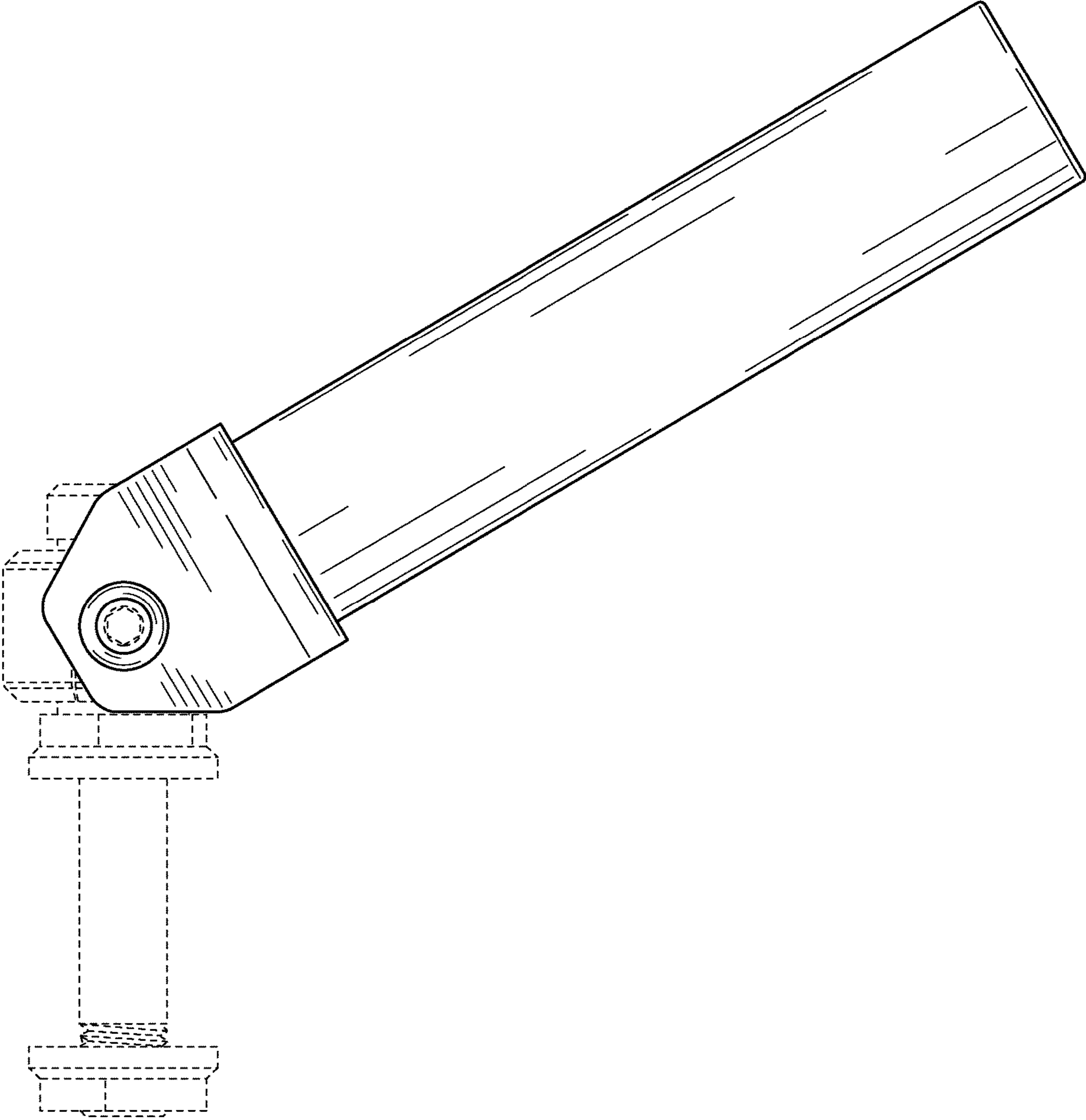


FIG. 7