



US00D928255S

(12) **United States Design Patent** (10) **Patent No.:** **US D928,255 S**
Wang (45) **Date of Patent:** **** Aug. 17, 2021**

- (54) **DUMBBELL HOLDER**
- (71) Applicant: **BETO ENGINEERING AND MARKETING CO., LTD.**, Taichung (TW)
- (72) Inventor: **Lopin Wang**, Taichung (TW)
- (73) Assignee: **BETO ENGINEERING AND MARKETING CO., LTD.**, Taichung (TW)
- (**) Term: **15 Years**
- (21) Appl. No.: **29/725,441**
- (22) Filed: **Feb. 25, 2020**
- (51) **LOC (13) Cl.** **21-02**
- (52) **U.S. Cl.**
USPC **D21/686**
- (58) **Field of Classification Search**
USPC D21/677, 678, 683, 684, 685, 692, 686, D21/682, 694, 662, 665, 673, 690, 691, D21/798, 826, 676, 681, 680, 688, 663, D21/679, 674; D6/552
See application file for complete search history.

- (56) **References Cited**
U.S. PATENT DOCUMENTS
D508,628 S * 8/2005 Crawford D6/552
7,261,678 B2 * 8/2007 Crawford A63B 21/0607
482/107
D743,713 S * 11/2015 Flick D6/552

- D766,463 S * 9/2016 Moss D25/68
- D813,416 S * 3/2018 Moss D25/68
- 10,022,583 B2 * 7/2018 Wang A63B 71/0036
- 2007/0225132 A1 * 9/2007 Liu A63B 21/0783
482/106
- 2008/0026921 A1 * 1/2008 Liu A63B 21/063
482/107
- 2009/0042700 A1 * 2/2009 Liu A63B 21/075
482/107
- 2014/0349820 A1 * 11/2014 Wang A63B 21/0726
482/108
- 2018/0353794 A1 * 12/2018 Wang A63B 21/075
- 2020/0398100 A1 * 12/2020 Wang A63B 21/075

* cited by examiner

Primary Examiner — Khawaja Anwar
Assistant Examiner — Julice Seung Eun Oum

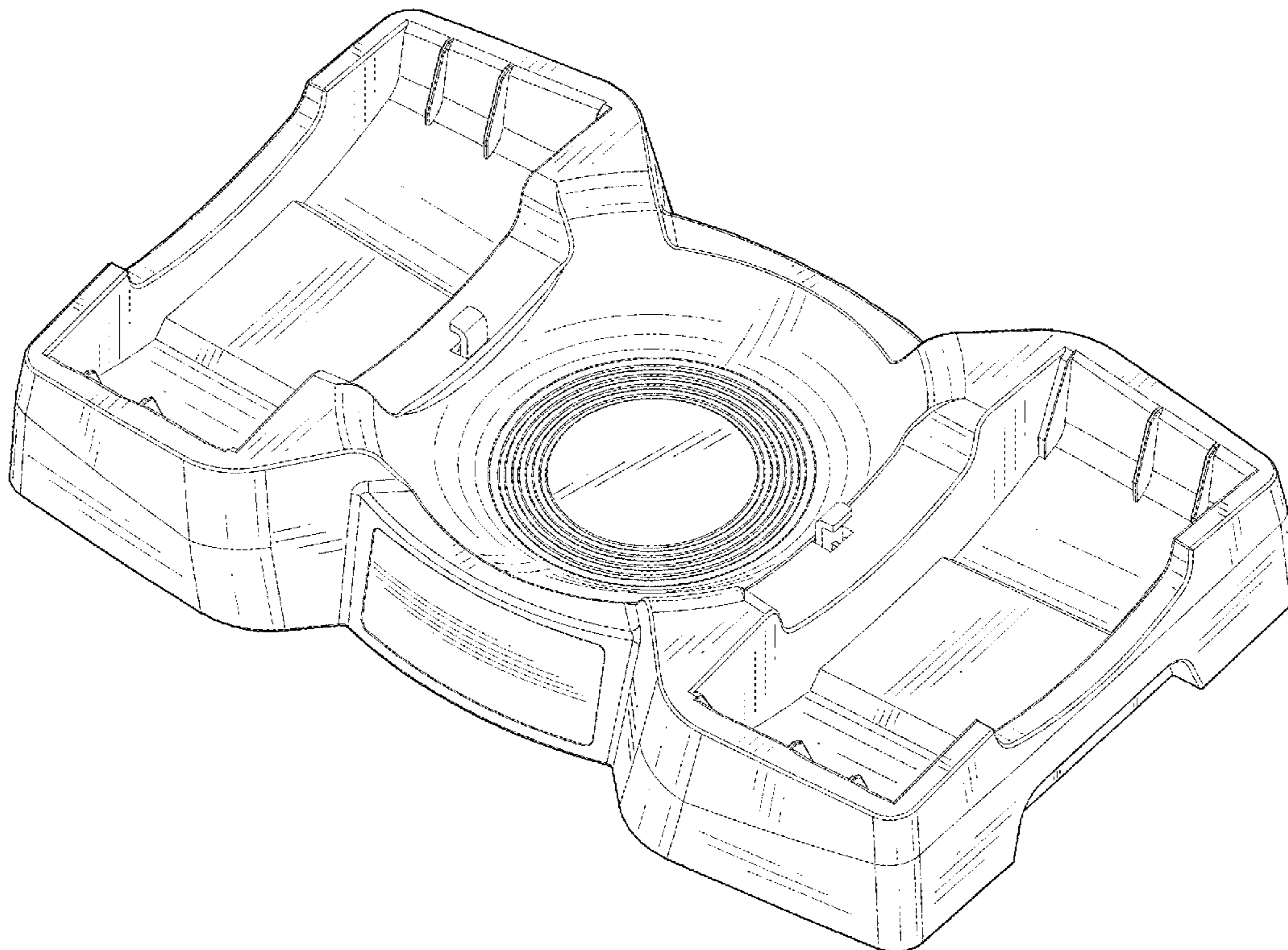
(57) **CLAIM**

The ornamental design for a dumbbell holder, as shown and described.

DESCRIPTION

FIG. 1 is a perspective view of a dumbbell holder showing my new design;
FIG. 2 is a front/rear elevational view thereof;
FIG. 3 is a left/right side elevational view thereof; and,
FIG. 4 is a top plan view thereof.
The bottom of the dumbbell holder form no part of the claimed design.
Left and right portions of the dumbbell holder are symmetrical, and front and rear portions of the dumbbell holder are symmetrical.

1 Claim, 4 Drawing Sheets



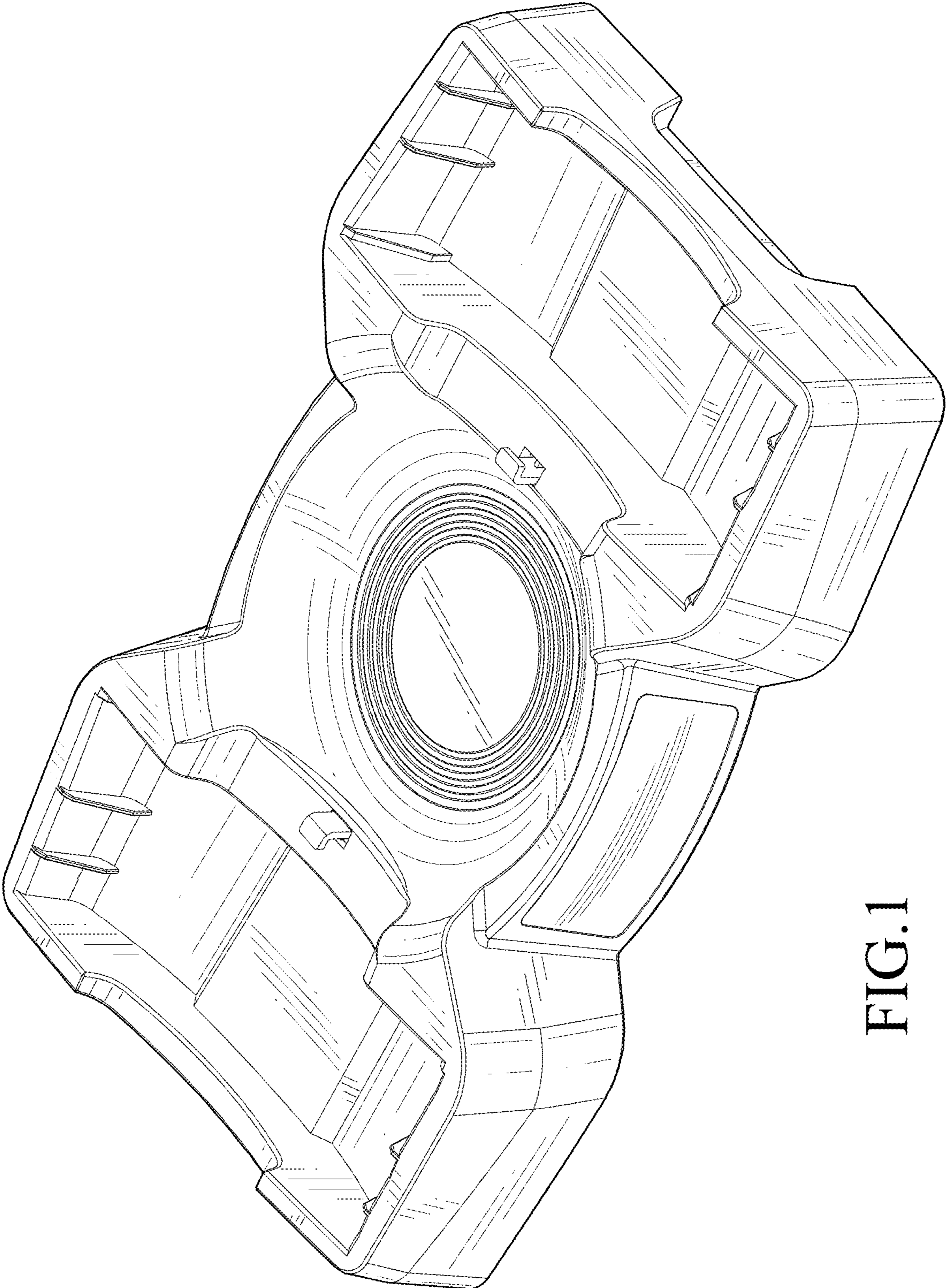


FIG. 1

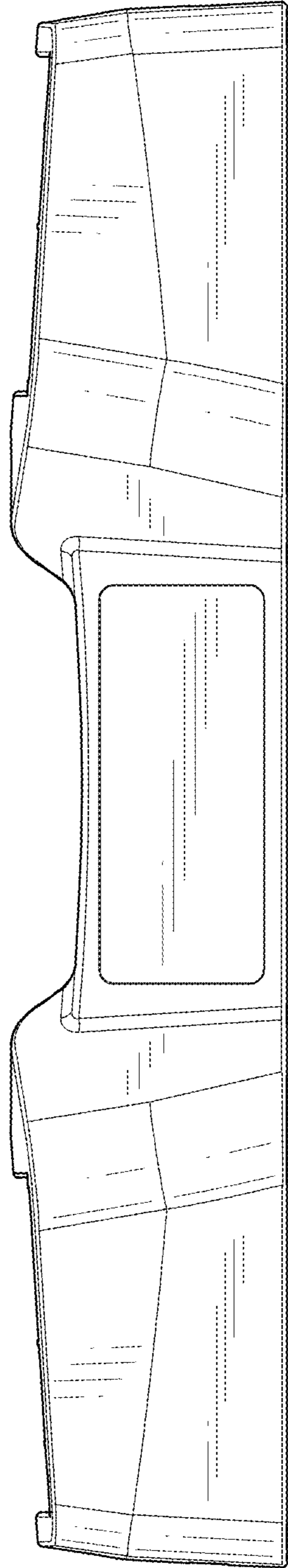


FIG.2

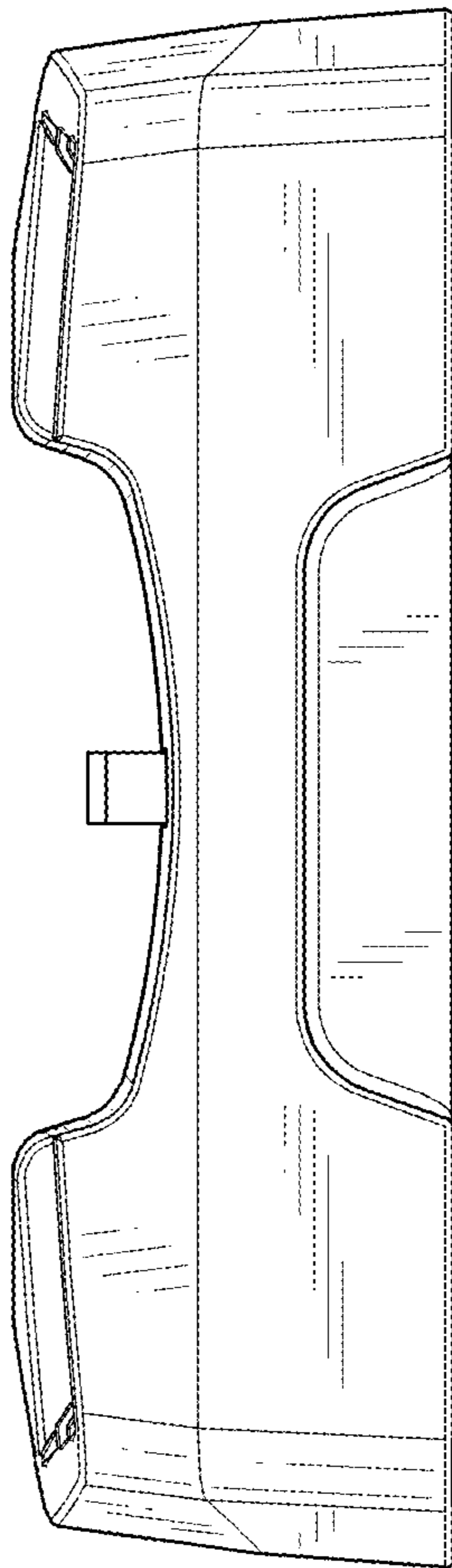


FIG.3

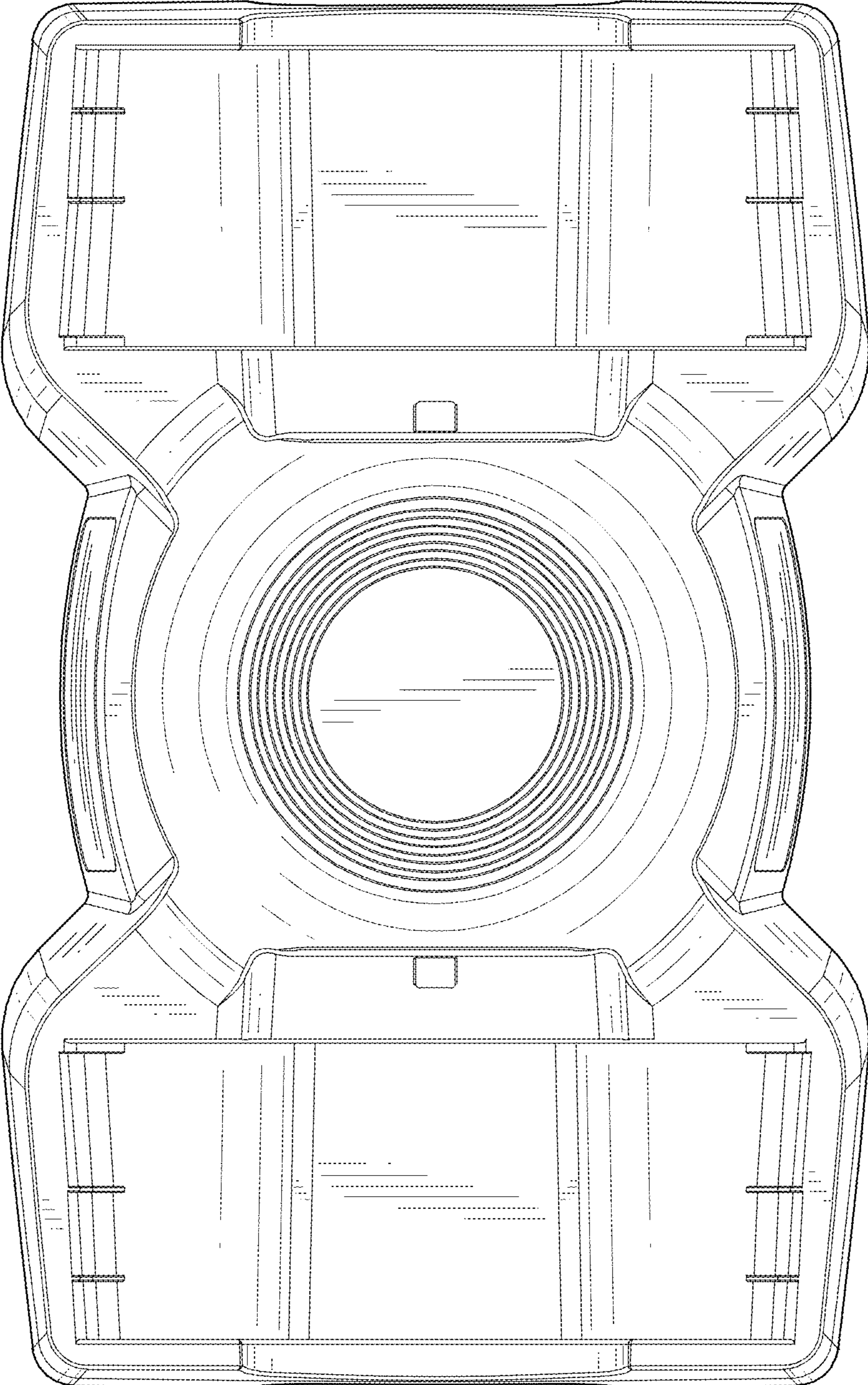


FIG.4