



US00D928254S

(12) **United States Design Patent** (10) **Patent No.:** **US D928,254 S**
Dunahay et al. (45) **Date of Patent:** **** Aug. 17, 2021**

(54) **WEIGHT SUPPORT**

(71) Applicant: **Coulter Ventures, LLC.**, Columbus, OH (US)

(72) Inventors: **Nash Dunahay**, Gahanna, OH (US); **William Henniger**, Columbus, OH (US)

(73) Assignee: **Coulter Ventures, LLC.**, Columbus, OH (US)

(**) Term: **15 Years**

(21) Appl. No.: **29/702,849**

(22) Filed: **Aug. 22, 2019**

(51) **LOC (13) Cl.** **21-02**

(52) **U.S. Cl.**
USPC **D21/686**; D8/381

(58) **Field of Classification Search**
USPC D21/662, 665, 673, 676, 679, 686, 687, D21/694; D8/354, 366, 374, 380-385, D8/394, 398
CPC A63B 21/4035; A63B 21/4047; A63B 21/0628; A63B 21/0211
See application file for complete search history.

(56) **References Cited**

U.S. PATENT DOCUMENTS

2,067,403 A	1/1937	Lea
3,716,231 A	2/1973	Martin
4,286,782 A	9/1981	Fuhrhop
4,339,125 A	7/1982	Uyeda et al.
4,492,375 A	1/1985	Connelly
4,582,320 A	4/1986	Shaw
4,634,127 A	1/1987	Rockwell
4,635,934 A	1/1987	Roethke
4,856,775 A	8/1989	Colledge et al.

(Continued)

FOREIGN PATENT DOCUMENTS

EP 2345459 A1 7/2011
EP 3295998 A1 3/2018

(Continued)

OTHER PUBLICATIONS

Photo from <<https://web.archive.org/web/20170112075250/https://mydynamicfitness.com>>, dated Jan. 12, 2017.

(Continued)

Primary Examiner — Michael C Stout

Assistant Examiner — Melvin L Davis

(74) *Attorney, Agent, or Firm* — Banner & Witcoff, Ltd.

(57) **CLAIM**

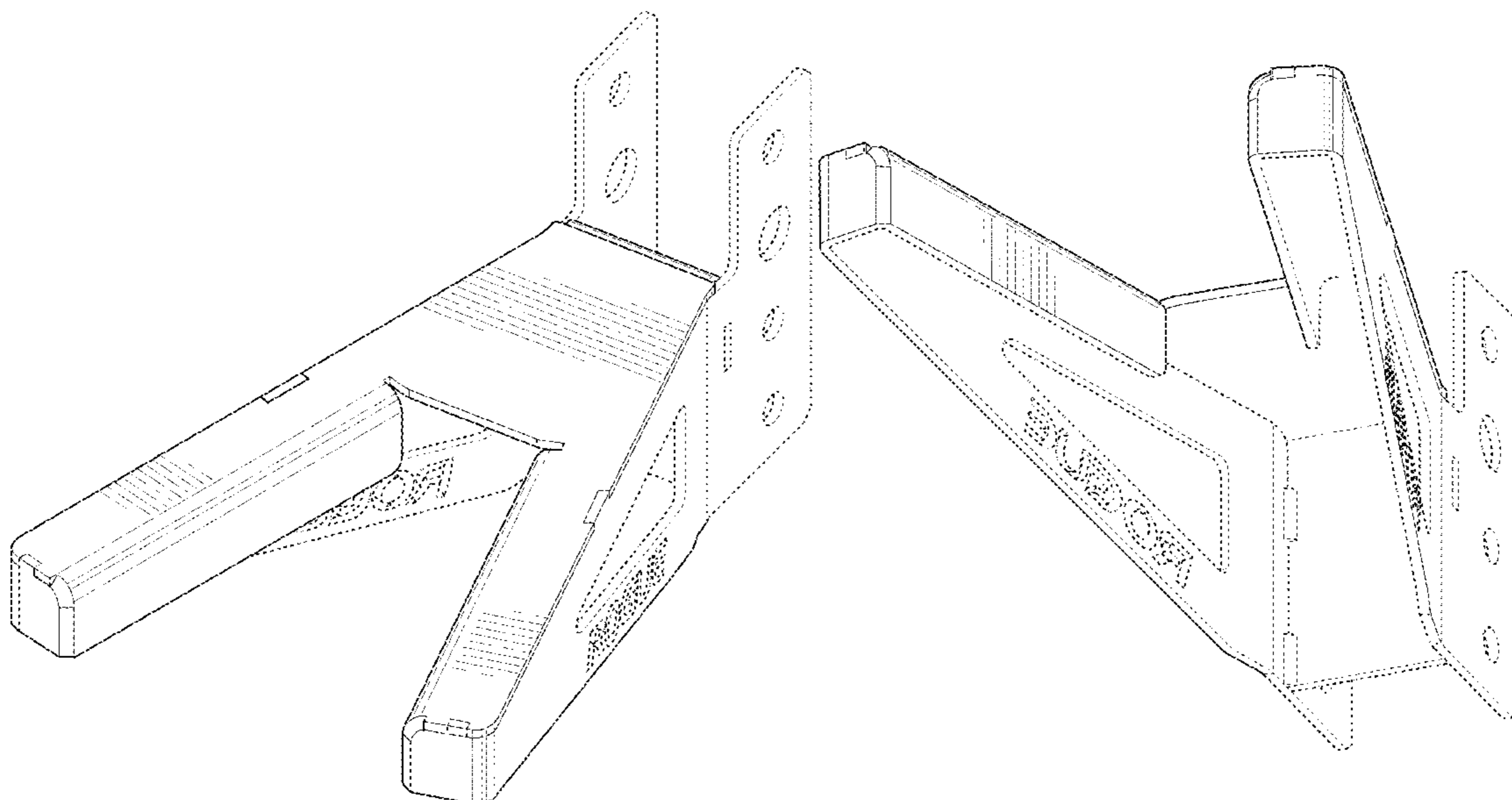
The ornamental design for a weight support, as shown and described.

DESCRIPTION

FIG. 1 is a top, front, left perspective view of a weight support showing my new design;
FIG. 2 is a bottom, front, left perspective view thereof;
FIG. 3 is a front view thereof;
FIG. 4 is a rear view thereof;
FIG. 5 is a right side view thereof;
FIG. 6 is a left side view thereof;
FIG. 7 is a top view thereof;
FIG. 8 is a bottom view thereof; and,
FIG. 9 is a top, front, left perspective view of a weight support showing my new design of FIGS. 1-8 in its exemplary environment.

The broken lines immediately adjacent to the shaded areas define the bounds of the claimed design and form no part thereof. The broken lines depicting the remainder of the weight support show portions that form no part of the claimed design. The broken lines depicting example environment in FIG. 9 form no part of the claimed design.

1 Claim, 9 Drawing Sheets



(56)

References Cited

U.S. PATENT DOCUMENTS

4,955,604 A 9/1990 Pogue
 5,050,868 A 9/1991 Pearson
 5,116,297 A 5/1992 Stonecipher
 5,135,453 A 8/1992 Sollenberger
 5,184,992 A 2/1993 Banks
 D358,623 S 5/1995 Macasieb
 5,529,558 A 6/1996 Koenig
 5,569,133 A 10/1996 Vittone
 5,688,216 A 11/1997 Mauriello
 5,722,922 A 3/1998 Watterson et al.
 5,971,897 A 10/1999 Olson et al.
 D439,292 S 3/2001 Webber et al.
 6,217,483 B1 4/2001 Kallassy
 6,238,323 B1 5/2001 Simonson
 6,261,205 B1 7/2001 Elefson
 6,394,935 B1 5/2002 Lake
 6,447,430 B1 9/2002 Webb et al.
 6,482,139 B1 11/2002 Haag
 6,508,743 B1 1/2003 Fortin
 D489,601 S 5/2004 Meeker
 D550,790 S 9/2007 Staten
 D550,791 S 9/2007 Rogers et al.
 D550,792 S 9/2007 Rogers et al.
 D551,306 S 9/2007 Rogers et al.
 7,488,277 B1 2/2009 Knapp
 7,549,950 B1 6/2009 Lundquist et al.
 7,727,129 B1 6/2010 Goddard
 D629,343 S 12/2010 Carlini
 D634,378 S 3/2011 Iverson et al.
 7,981,010 B1 7/2011 Webber et al.
 7,998,040 B2 8/2011 Kram et al.
 8,057,368 B1 11/2011 Lyszczarz
 8,096,926 B1 1/2012 Batca
 8,172,733 B1 5/2012 Batca
 8,337,370 B2 12/2012 Rogers et al.
 D687,753 S 8/2013 Carlini
 D709,358 S * 7/2014 Fugett D8/380
 8,827,875 B2 9/2014 Schiano
 D723,904 S * 3/2015 Cave D8/380
 D726,607 S 4/2015 Rickard
 9,011,301 B2 4/2015 Balandis et al.
 9,028,381 B2 5/2015 Mestemaker
 D731,298 S * 6/2015 Therrien D8/382
 D734,658 S * 7/2015 Prezner D8/380
 D737,124 S * 8/2015 Sasanecki D8/366
 D744,323 S * 12/2015 Mize D8/381
 D749,399 S * 2/2016 Jenkins D8/354
 9,289,638 B2 3/2016 Towley, III et al.
 9,302,139 B2 4/2016 Habing et al.
 D755,608 S * 5/2016 Lawson D8/354
 9,421,413 B2 8/2016 Staten et al.
 D768,466 S * 10/2016 Simmons D8/354
 D769,991 S 10/2016 Thomas
 D772,356 S 11/2016 Gregory
 D781,452 S 3/2017 Bokros
 D806,808 S 1/2018 Gregory
 D808,475 S 1/2018 Meredith et al.
 D815,305 S 4/2018 Alvarado et al.
 D820,669 S * 6/2018 Weinschreider D8/374
 D831,850 S * 10/2018 Nguyen D25/61
 D831,853 S * 10/2018 Nguyen D25/61
 D836,421 S * 12/2018 Luscombe D8/354
 D848,827 S * 5/2019 White D8/381
 D849,160 S 5/2019 Lau
 D850,240 S * 6/2019 Breda H02G 3/32
 D851,482 S * 6/2019 Ferman D8/354
 D855,720 S 8/2019 Kuka D8/381
 D856,781 S * 8/2019 Hendry D8/354
 D857,480 S * 8/2019 Ryan D8/354
 D858,255 S * 9/2019 Fox D8/354
 10,525,301 B2 1/2020 Hsu
 D874,247 S * 2/2020 Stekr D8/354
 D874,248 S * 2/2020 Stekr D8/354
 D880,278 S * 4/2020 Jaramillo D8/354

D891,229 S * 7/2020 Hohmann, Jr. D8/354
 D896,623 S * 9/2020 Ercole Auffray D8/381
 D902,701 S * 11/2020 Smith D8/366
 D904,175 S * 12/2020 Williams D8/382
 2003/0100413 A1 5/2003 Huang
 2003/0115955 A1 6/2003 Keiser
 2003/0134723 A1 7/2003 Greenland
 2005/0054493 A1 3/2005 Skilken et al.
 2005/0202941 A1 9/2005 Vaes
 2006/0035765 A1 2/2006 Smith
 2006/0040799 A1 2/2006 Pompile
 2006/0183607 A1 8/2006 Collias
 2006/0247107 A1 11/2006 Carter
 2006/0252615 A1 11/2006 Melcer
 2007/0037674 A1 2/2007 Finn et al.
 2007/0054785 A1 3/2007 Drechsler
 2007/0093365 A1 4/2007 Batca
 2007/0155595 A1 7/2007 Rogers et al.
 2007/0155596 A1 7/2007 Rogers et al.
 2008/0113852 A1 5/2008 Caldwell
 2009/0143203 A1 6/2009 Knapp
 2010/0216610 A1 8/2010 Gedeon-Janvier
 2010/0292057 A1 11/2010 Dunn
 2012/0238418 A1 9/2012 Reyes
 2012/0289384 A1 11/2012 Staten et al.
 2012/0329613 A1 12/2012 Schiano
 2013/0035220 A1 2/2013 Adams
 2013/0296143 A1 11/2013 Staten et al.
 2013/0296146 A1 11/2013 Staten et al.
 2014/0087928 A1 3/2014 Luedeka
 2014/0256517 A1 9/2014 Poppinga
 2015/0016919 A1 1/2015 Tambornino et al.
 2015/0051054 A1 2/2015 Barnhill
 2015/0083681 A1 3/2015 Childs
 2015/0126335 A1 5/2015 Gilson et al.
 2015/0141221 A1 5/2015 Delgado
 2015/0182773 A1 7/2015 Olson et al.
 2015/0290488 A1 10/2015 Hopperstad et al.
 2015/0352395 A1 12/2015 Gregory
 2016/0023035 A1 1/2016 Meyer
 2016/0199691 A1 7/2016 Hockridge
 2016/0213967 A1 7/2016 Habing et al.
 2017/0007877 A1 1/2017 Leipheimer
 2017/0056705 A1 3/2017 Zha et al.
 2017/0157452 A1 6/2017 Lagree
 2017/0189736 A1 7/2017 Martin
 2017/0246496 A1 8/2017 Nelson et al.
 2017/0246504 A1 8/2017 Simmons
 2017/0274245 A1 9/2017 Cambridge, Sr.
 2018/0036573 A1 2/2018 Lennox et al.
 2018/0243597 A1 8/2018 Schlegel
 2019/0240521 A1 8/2019 Staten
 2019/0275363 A1 9/2019 Jones et al.

FOREIGN PATENT DOCUMENTS

FR 2630652 A1 11/1989
 GB 2346808 A 8/2000
 KR 200466889 Y1 5/2013
 KR 20140060130 A 5/2014
 WO 9842411 A1 10/1998
 WO 201893699 A1 5/2018
 WO 2018208772 A1 11/2018

OTHER PUBLICATIONS

Screenshots from <<https://www.youtube.com/watch?v=A4xv8OhVbzI>>, dated May 17, 2018.
 Product promotional materials for Dynamic Fitness Ultra Pro Rack Series from <<https://web.archive.org/web/20170112075250/https://mydynamicfitness.com>> dated Jan. 12, 2017.
 Product listing for Rogue Monster Lever Arms from <<https://web.archive.org/web/20160529110340/http://www.roguefitness.com/monster-lever-arms>>, dated May 29, 2016.
 Product listing for Rogue Monster Lever Arms from <<https://web.archive.org/web/20161111082206/http://www.roguefitness.com/monster-lever-arms>>, dated Nov. 11, 2016.

(56)

References Cited

OTHER PUBLICATIONS

Jul. 23, 2019—(WO) International Search Report & Written Opinion—
App PCT/US2019/021017.

Sorinex Exercise Equipment: “Base camp jammer arms adjustable
attachment point”, Feb. 27, 2018 (Feb. 27, 2018), pp. 1-3, Retrieved
from the Internet: URL:[https://www.facebook.com/sorinex.strength/
videos/base-camp-jammer-arms-adjustable-attachment-point/
10158262519208647/](https://www.facebook.com/sorinex.strength/videos/base-camp-jammer-arms-adjustable-attachment-point/10158262519208647/).

Mar. 31, 2020—(WO) ISR and WO—App PCT/US2019/056130.

* cited by examiner

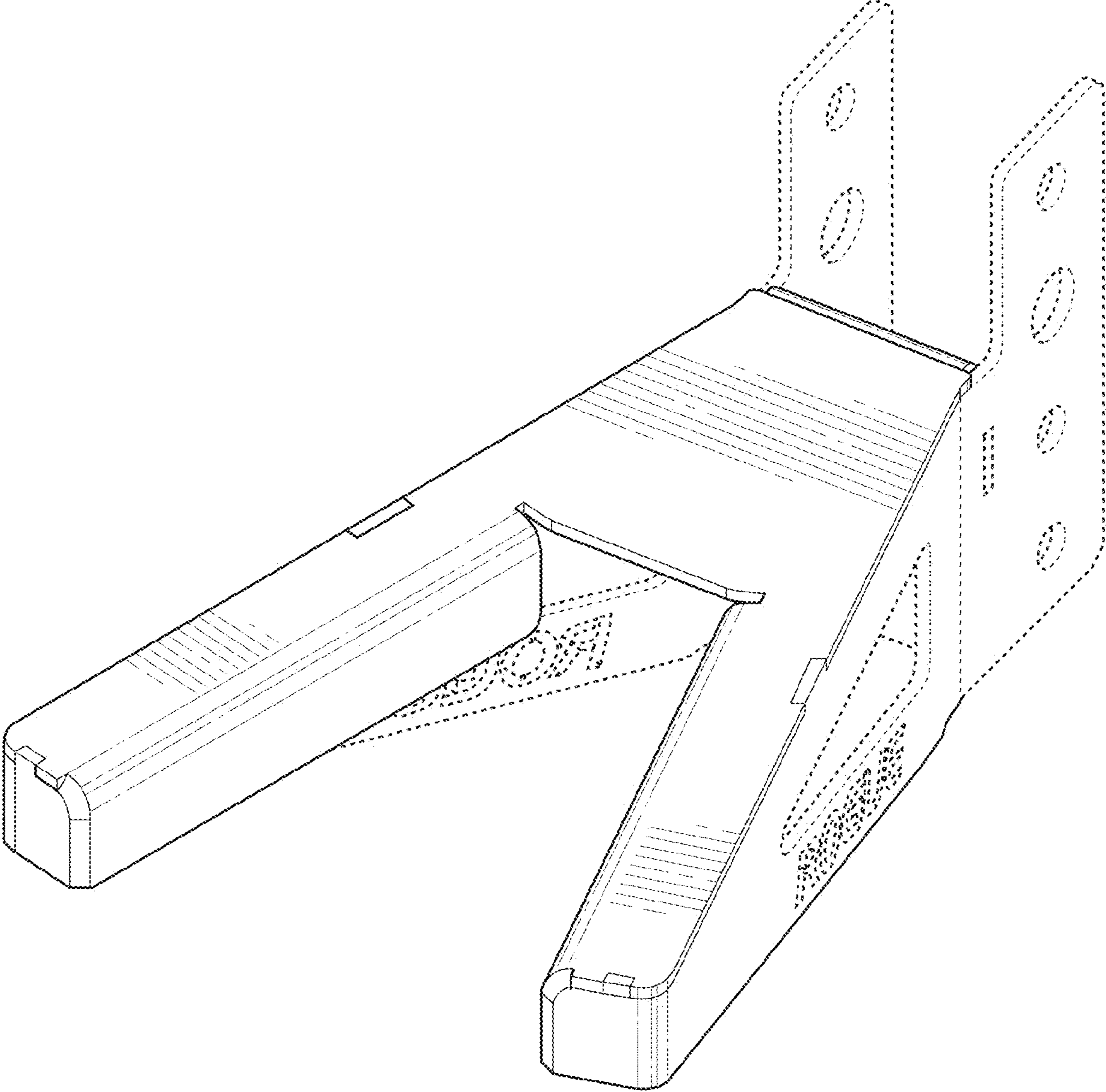


FIG. 1

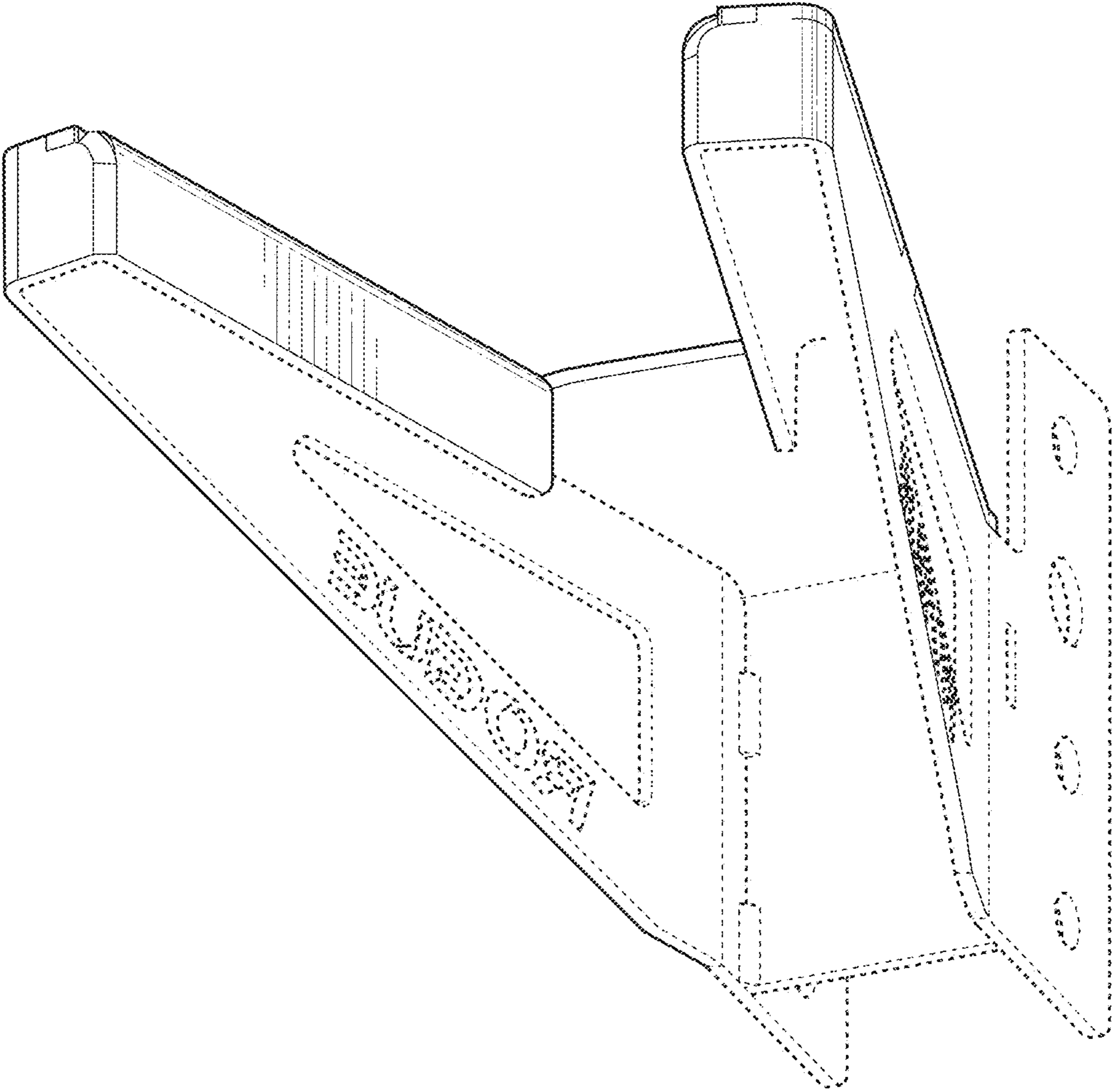


FIG. 2

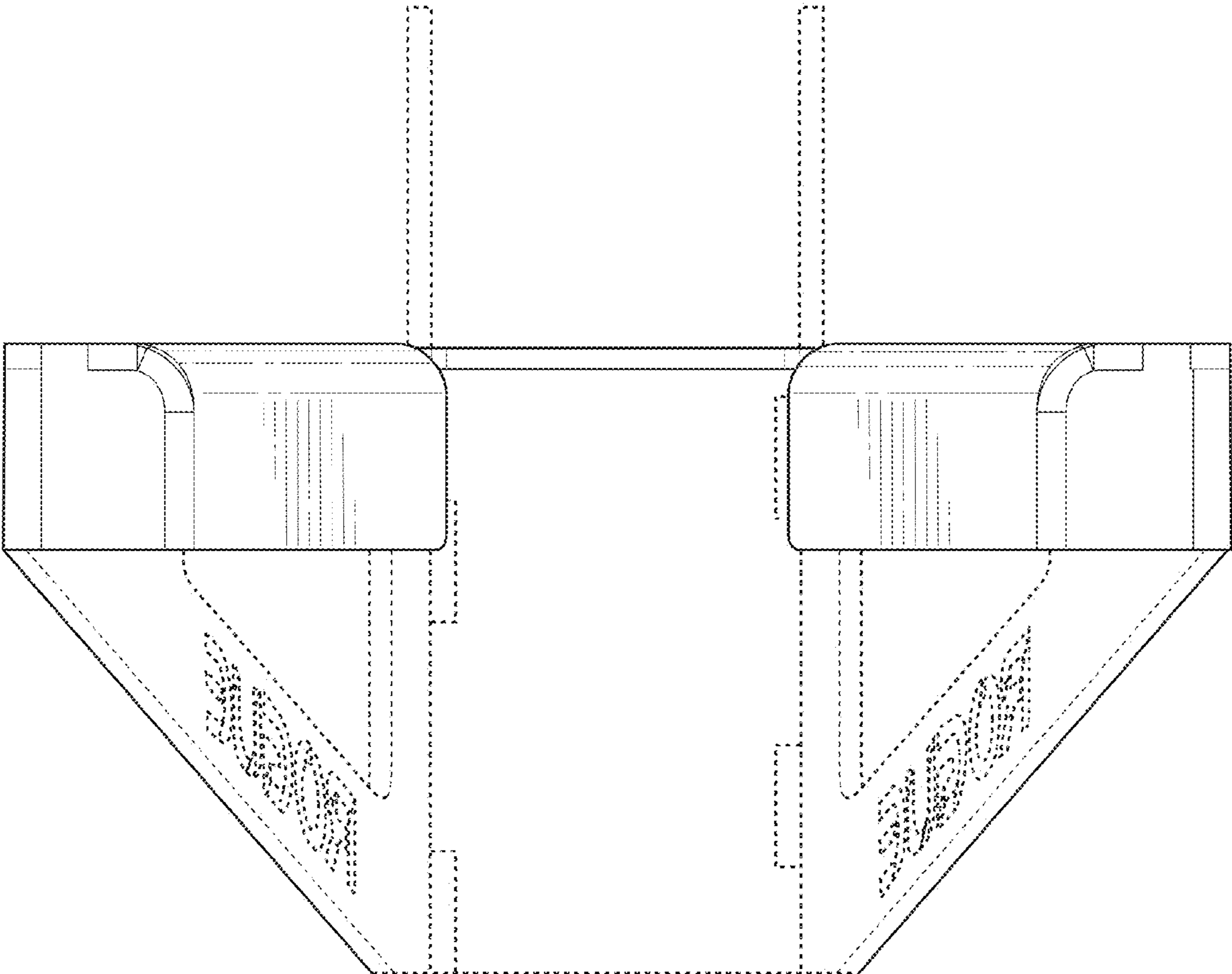


FIG. 3

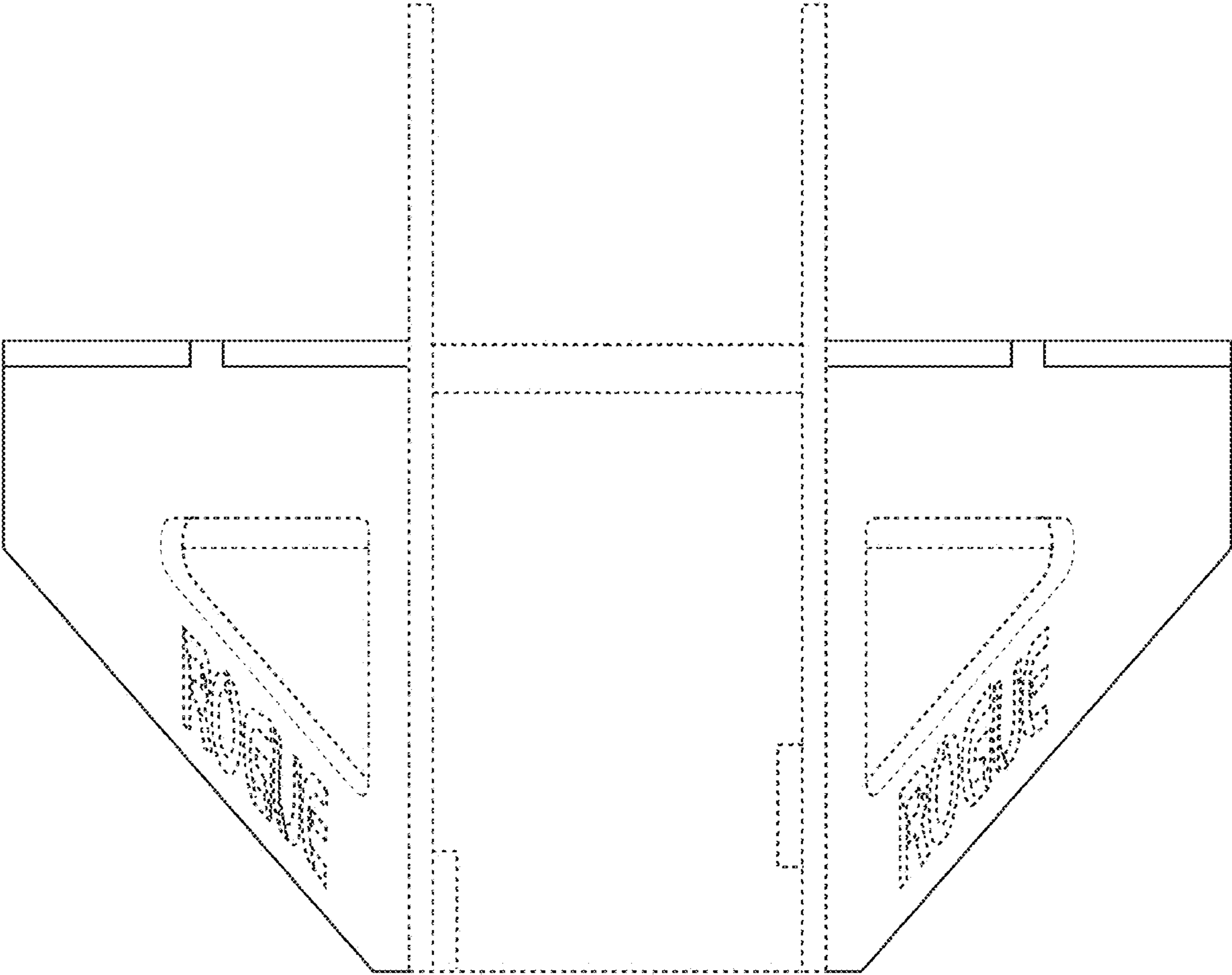


FIG. 4

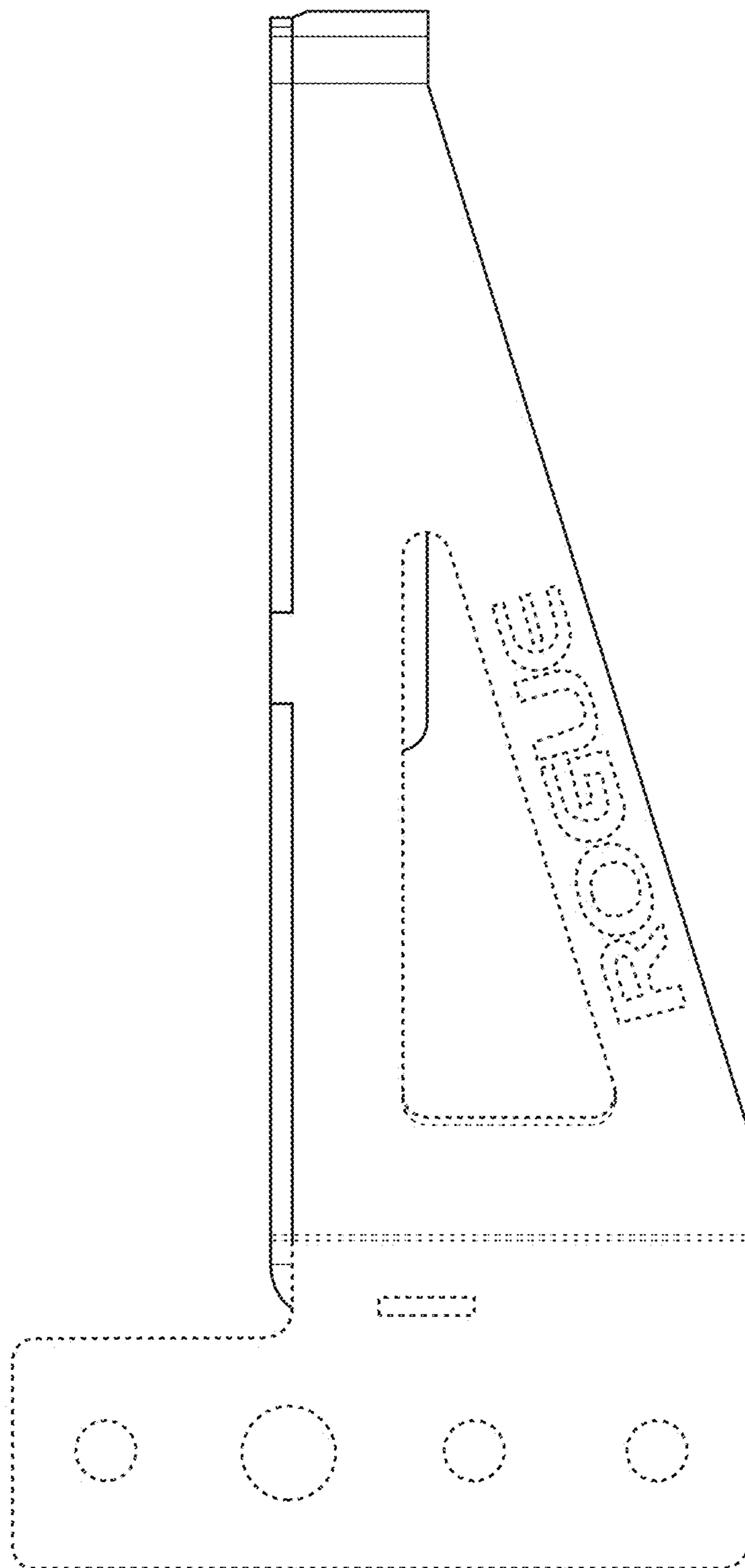


FIG. 5

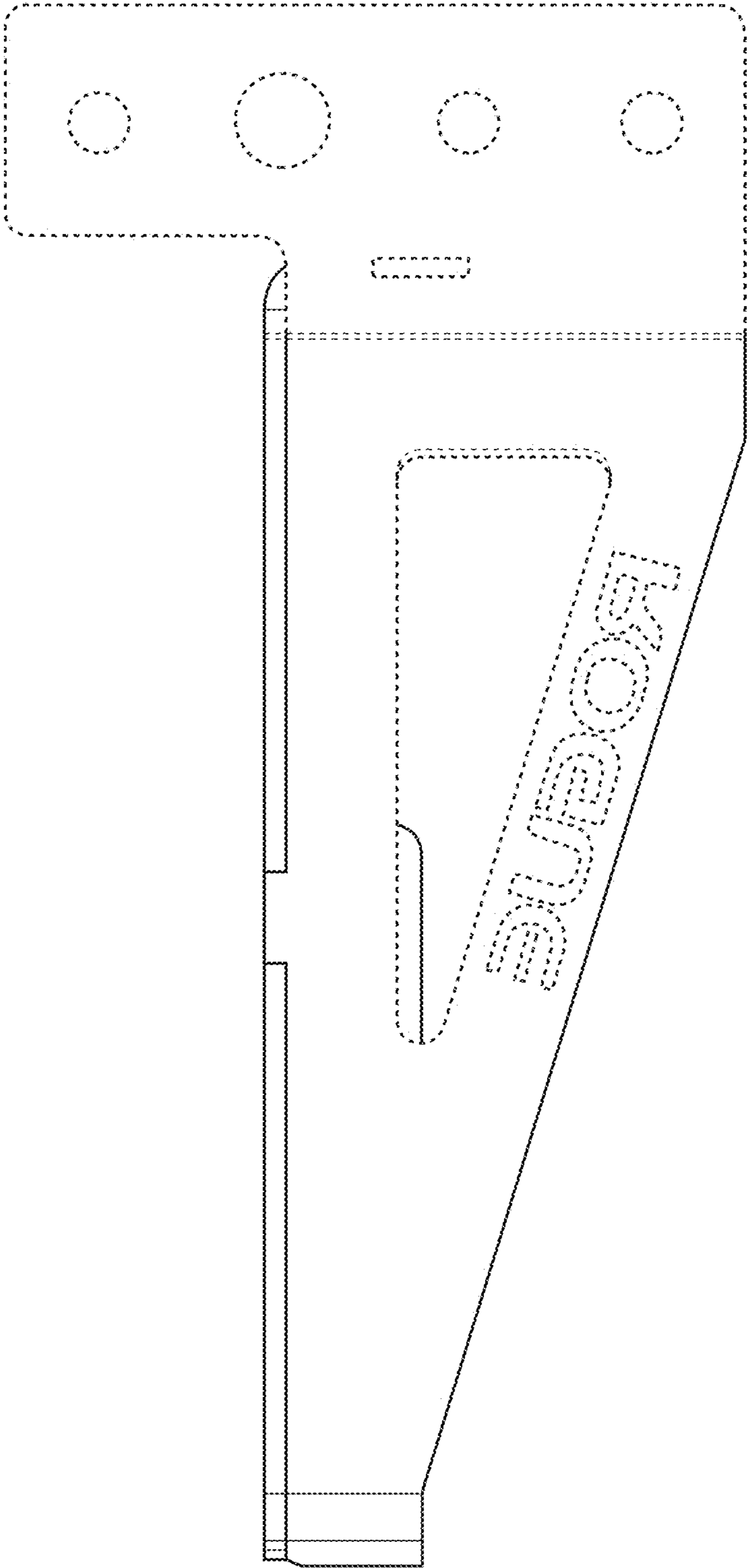


FIG. 6

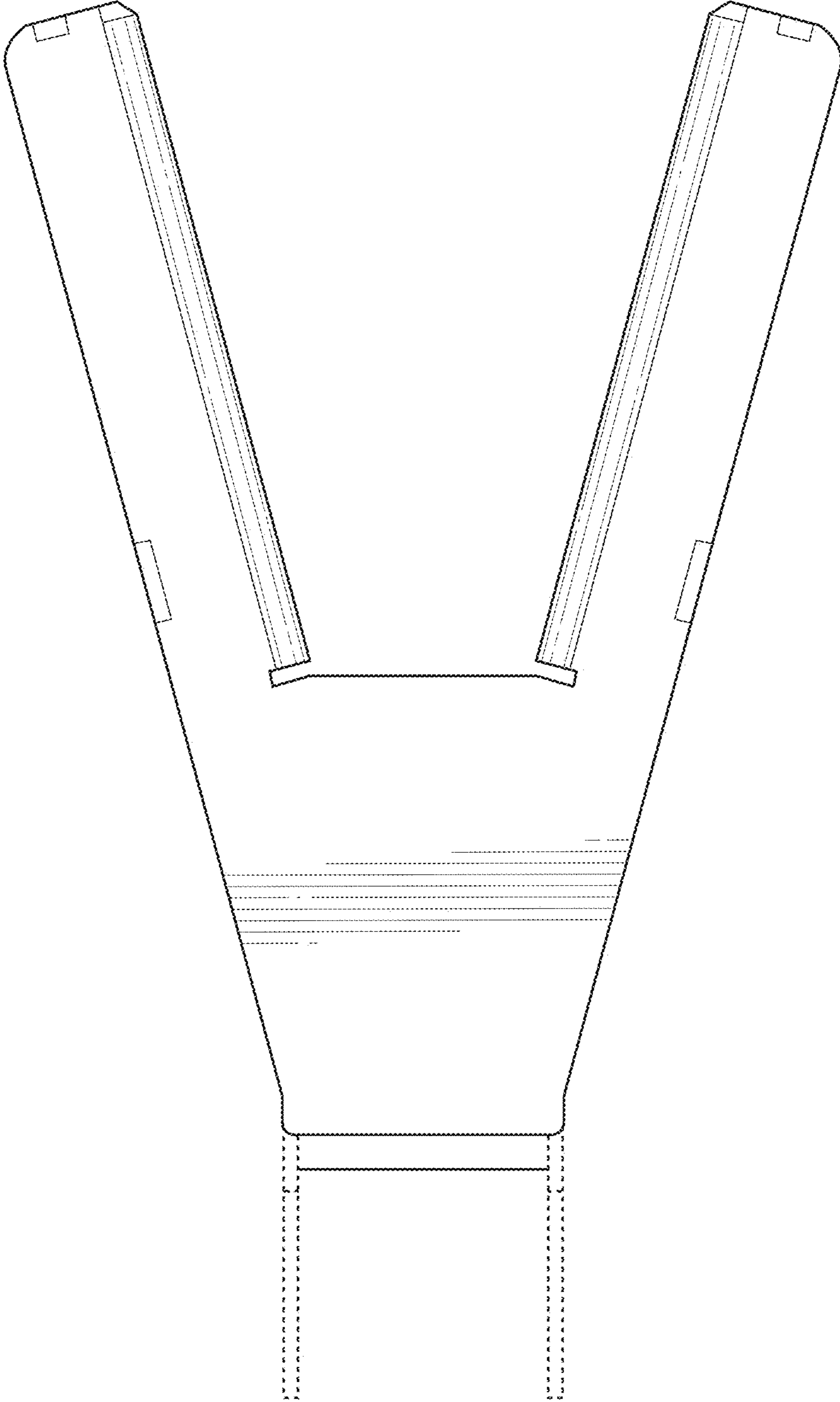


FIG. 7

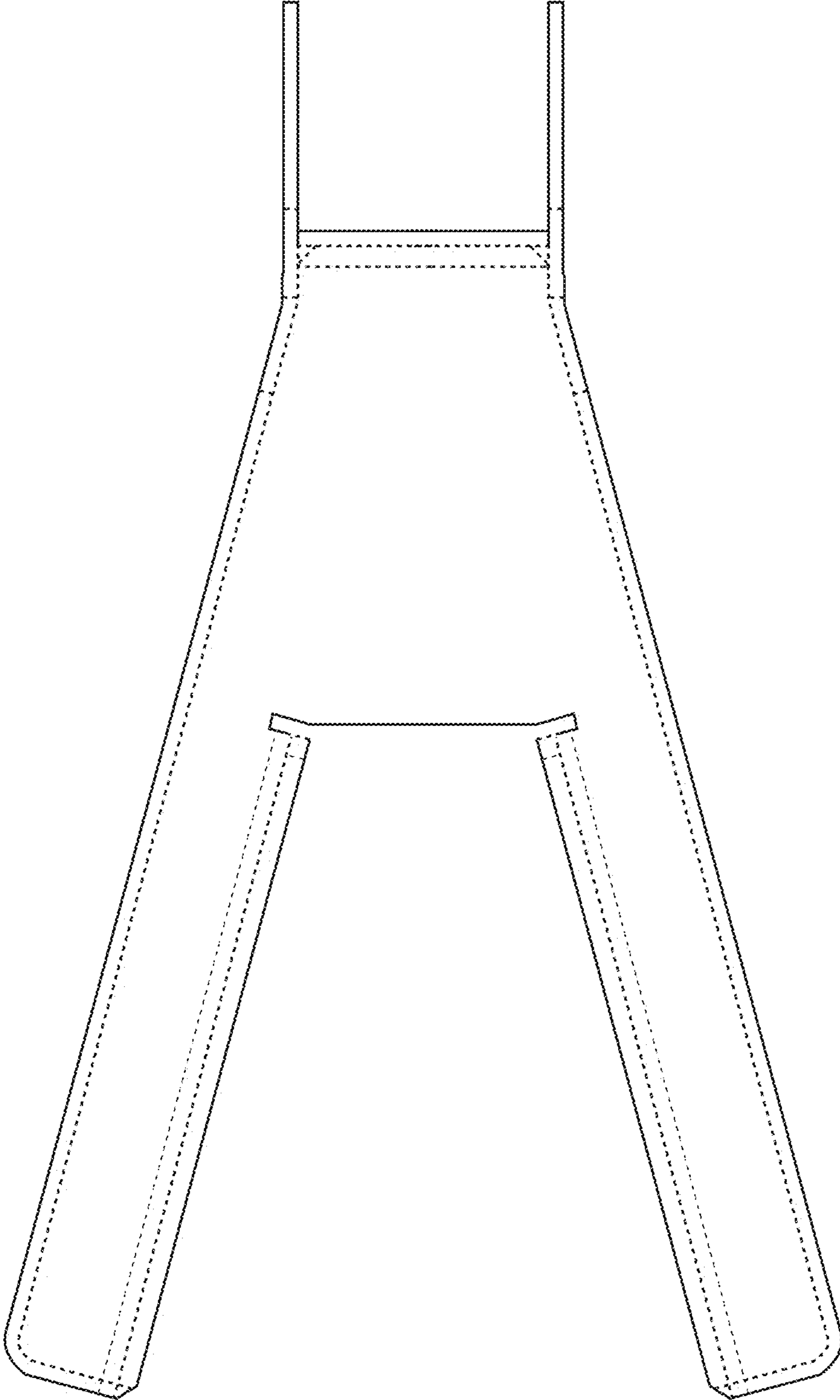


FIG. 8

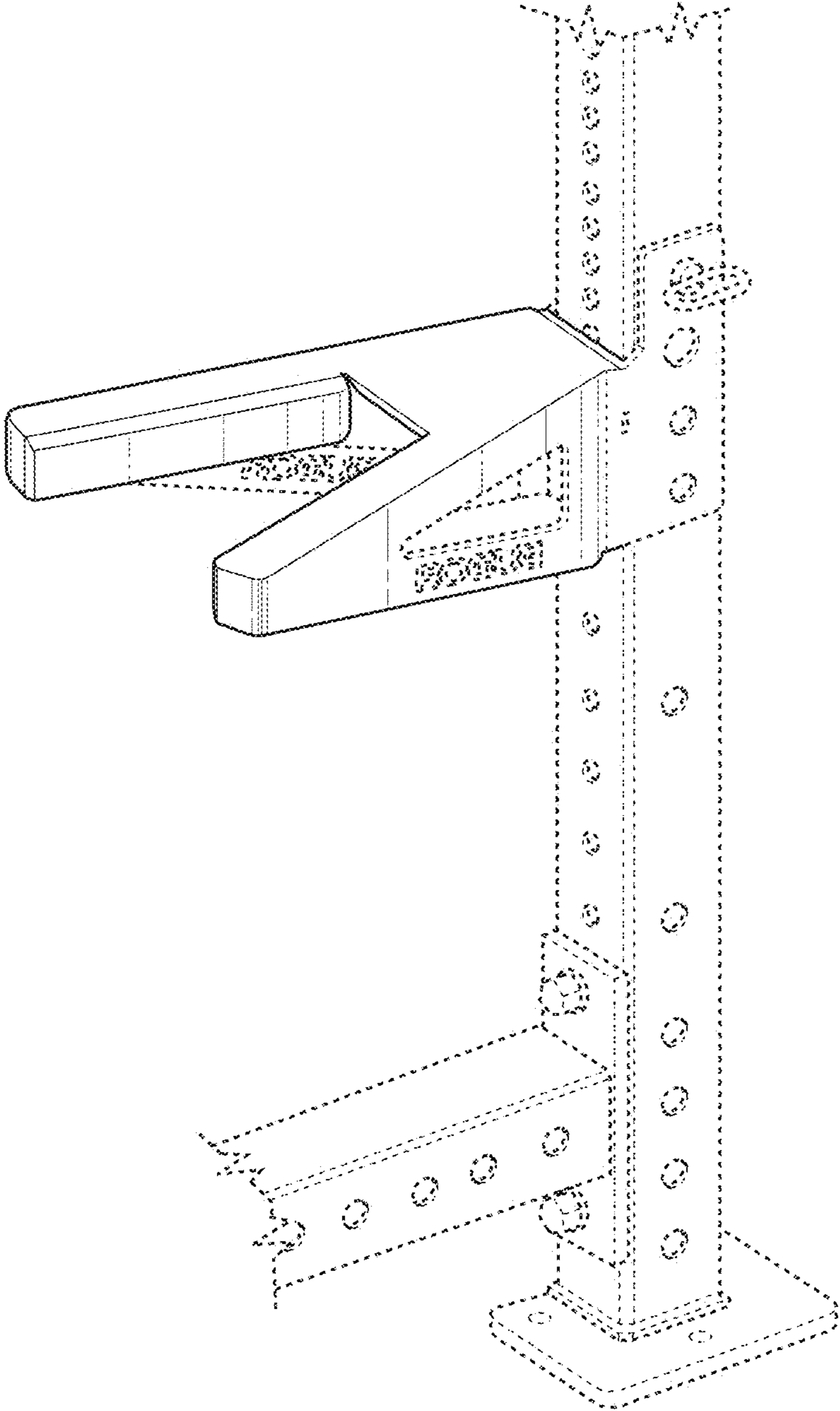


FIG. 9