



US00D928253S

(12) **United States Design Patent** (10) **Patent No.:** **US D928,253 S**
Dunahay (45) **Date of Patent:** **** Aug. 17, 2021**

(54) **FITNESS RIG**

(71) Applicant: **Coulter Ventures LLC**, Columbus, OH (US)

(72) Inventor: **Nash Dunahay**, Gahanna, OH (US)

(73) Assignee: **Coulter Ventures, LLC.**, Columbus, OH (US)

(**) Term: **15 Years**

(21) Appl. No.: **29/641,553**

(22) Filed: **Mar. 22, 2018**

(51) **LOC (13) Cl.** **21-02**

(52) **U.S. Cl.**
USPC **D21/686**

(58) **Field of Classification Search**
USPC D24/188, 190, 213; D21/662, 679, 685, D21/686, 691, 694, 777, 787, 796, 797, D21/837, 690; D25/41.1, 44; D7/701, D7/708; D6/552, 675.1; 482/142, 141, 482/38, 41, 130, 39; D12/115
CPC A63B 2244/22; A63B 2023/006; A63B 21/078; A63B 1/00; A63B 21/169; A63B 21/16; A63B 17/00; A63B 21/0557; A63B 3/00; A63B 22/0046; A63B 71/02; A63B 71/023; A63B 2210/05; A63B 2225/093; A63B 21/00047; A63B 2225/09; A63B 21/068; A63B 2208/0204; A47B 81/00; A47B 81/007; A47B 47/00; A47B 47/0058; H05K 7/1488; H05K 7/1489; H05K 7/1491; A61H 2201/1284
See application file for complete search history.

(56) **References Cited**

U.S. PATENT DOCUMENTS

2,067,403 A 1/1937 Lea
4,527,797 A 7/1985 Slade, Jr. et al.
4,666,154 A 5/1987 Lipscomb et al.

D291,338 S 8/1987 Ringel et al.
4,907,798 A 3/1990 Burchatz
5,203,752 A 4/1993 Frankel
5,273,506 A 12/1993 Dawson, Jr.
5,372,556 A 12/1994 Ropp
5,395,296 A 3/1995 Webster et al.
D358,623 S 5/1995 Macasieb
5,411,453 A 5/1995 Wilson
5,928,119 A 7/1999 Dinkel
6,220,988 B1 4/2001 Williams
6,685,601 B1 2/2004 Knapp

(Continued)

OTHER PUBLICATIONS

Product listing for Monster Lite Monkey Rig 2.0 from <https://web.archive.org/web/20161202195146/http://www.roguefitness.com/rogue-monster-lite-monkey-rig-2-0>, dated Dec. 2, 2016.

(Continued)

Primary Examiner — Ryan Harvey

(74) *Attorney, Agent, or Firm* — Banner & Witcoff, Ltd.

(57) **CLAIM**

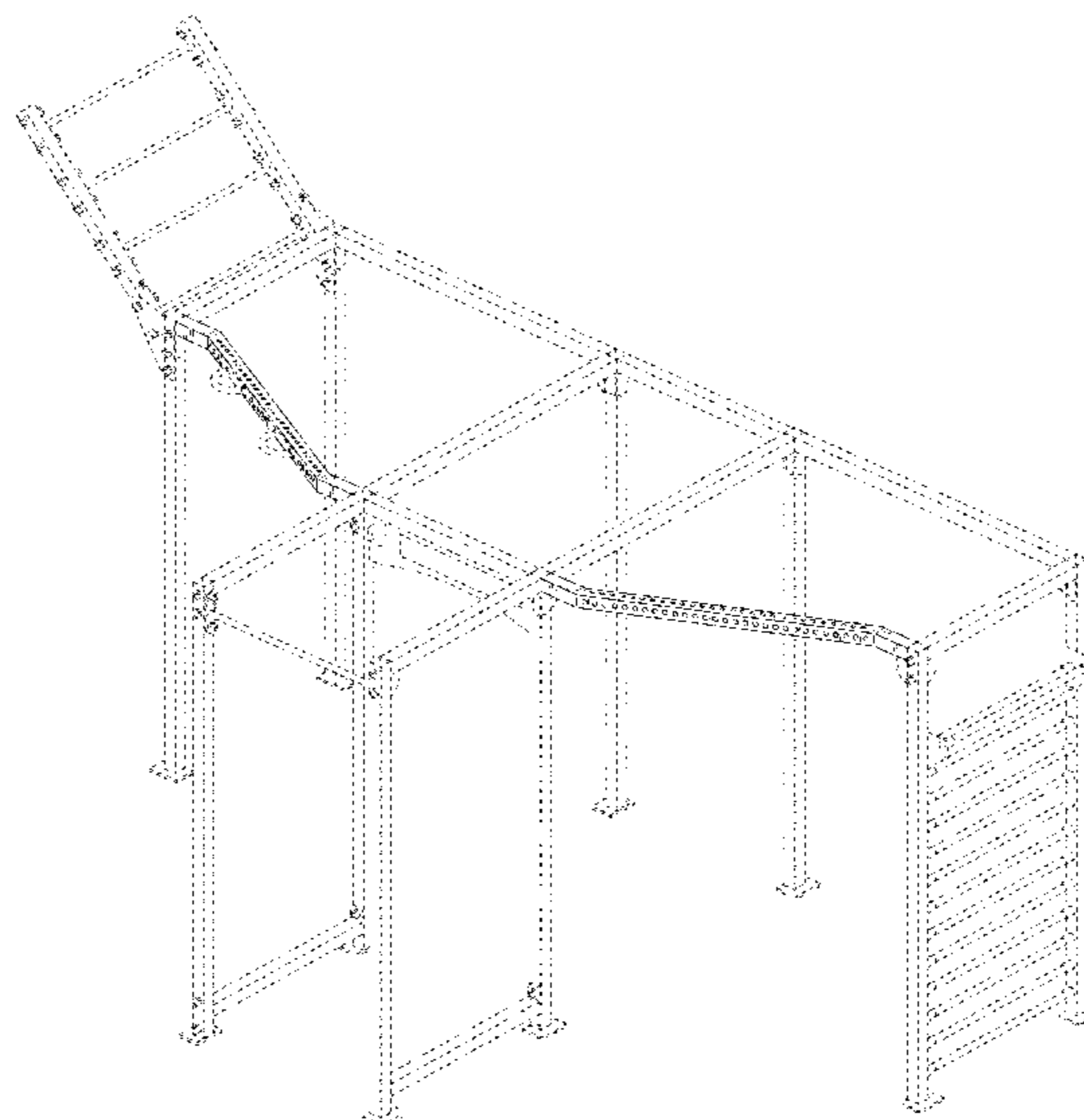
The ornamental design for a fitness rig, as shown and described.

DESCRIPTION

FIG. 1 is a top, front, right perspective view of a fitness rig showing my new design;
FIG. 2 is a front view thereof;
FIG. 3 is a rear view thereof;
FIG. 4 is a right side view thereof;
FIG. 5 is a left side view thereof;
FIG. 6 is a top view thereof; and,
FIG. 7 is a bottom view thereof.

The broken lines immediately adjacent to the shaded areas define the bounds of the claimed design and form no part thereof. The broken lines depicting the remainder of the fitness rig show features that form no part of the claimed design.

1 Claim, 7 Drawing Sheets



(56)

References Cited

U.S. PATENT DOCUMENTS

D495,381 S * 8/2004 Ceppo D21/686
 D496,248 S 9/2004 Liebendorfer
 D550,790 S 9/2007 Staten
 D550,791 S 9/2007 Rogers et al.
 D550,792 S 9/2007 Rogers et al.
 D550,793 S 9/2007 Rogers et al.
 D551,306 S 9/2007 Rogers et al.
 D629,472 S 12/2010 Rhodes
 D635,206 S 3/2011 Henniger
 D636,038 S 4/2011 Henniger
 D636,040 S 4/2011 Henniger
 8,016,686 B2 9/2011 Liggett et al.
 RE43,397 E 5/2012 Rogers et al.
 D664,622 S 7/2012 Orsulak et al.
 D664,624 S 7/2012 Orsulak et al.
 D672,419 S 12/2012 Stroitiz
 8,328,698 B1 * 12/2012 Webber A63B 21/0783
 482/104
 D697,988 S 1/2014 Januszek
 D698,402 S 1/2014 Saletta
 D699,805 S 2/2014 Green
 8,876,673 B2 11/2014 Inglut
 8,998,781 B1 4/2015 Nelson
 D734,410 S 7/2015 Childs et al.
 9,095,742 B2 8/2015 Henniger et al.
 D742,979 S 11/2015 Post
 9,192,799 B2 11/2015 Alenaddaf
 9,278,246 B2 3/2016 Tambomino et al.
 D762,789 S 8/2016 Gilchrist
 D767,692 S 9/2016 Kuka
 D767,693 S 9/2016 Kuka
 D768,791 S * 10/2016 Beaver D21/686
 D769,991 S * 10/2016 Thomas D21/686
 9,492,701 B1 11/2016 Bognatz
 D781,453 S 3/2017 Gomez
 9,610,490 B2 4/2017 Tambomino et al.
 9,662,537 B1 * 5/2017 Graves A63B 17/04
 D788,945 S 6/2017 Meyer
 D794,144 S 8/2017 Abelbeck et al.
 D806,808 S * 1/2018 Gregory D21/686
 D815,305 S 4/2018 Alvarado et al.
 D818,547 S 5/2018 Meredith et al.
 D836,172 S 12/2018 Kuka
 10,226,661 B2 3/2019 Henniger et al.
 D852,291 S 6/2019 Meredith et al.
 10,307,634 B2 6/2019 Young
 D852,907 S 7/2019 Sergakis
 D883,406 S 5/2020 Sergakis
 D888,850 S 6/2020 Smith, Jr.
 D888,851 S * 6/2020 Dunahay D21/686
 D898,137 S * 10/2020 Carmichael D21/686
 D898,844 S * 10/2020 Sergakis D21/686
 10,799,749 B2 * 10/2020 Sorin A63B 21/0617
 2007/0032357 A1 2/2007 Piane
 2007/0155594 A1 7/2007 Rogers et al.
 2007/0155595 A1 7/2007 Rogers et al.
 2007/0155596 A1 7/2007 Rogers et al.
 2012/0142506 A1 6/2012 Hetrick et al.
 2012/0329613 A1 12/2012 Schiano
 2013/0274080 A1 10/2013 Matsushita
 2013/0296143 A1 11/2013 Staten et al.
 2013/0296146 A1 11/2013 Staten et al.
 2013/0324382 A1 12/2013 Wilson
 2014/0014604 A1 1/2014 de Moraes Correia
 2014/0087928 A1 3/2014 Luedeka
 2014/0135182 A1 5/2014 Inglut
 2014/0135183 A1 5/2014 Inglut
 2014/0274563 A1 9/2014 Sheta
 2015/0011370 A1 1/2015 Henniger
 2015/0014212 A1 1/2015 Beaver et al.
 2015/0016919 A1 1/2015 Tambomino et al.
 2015/0059257 A1 3/2015 Beaver et al.
 2015/0065316 A1 3/2015 Towley, III et al.
 2015/0196119 A1 7/2015 Henniger
 2015/0290488 A1 10/2015 Hopperstad et al.

2016/0023035 A1 1/2016 Meyer
 2016/0059104 A1 * 3/2016 Monaco A63B 71/02
 280/30
 2017/0007877 A1 1/2017 Leipheimer
 2017/0056705 A1 3/2017 Zha et al.
 2017/0080276 A1 3/2017 Lopes Rodrigues
 2017/0120099 A1 5/2017 Biddix, Jr.
 2017/0189736 A1 7/2017 Martin
 2017/0246496 A1 8/2017 Nelson et al.
 2018/0028852 A1 * 2/2018 Beaver A63B 21/078
 2018/0036573 A1 2/2018 Lennox et al.
 2018/0056108 A1 * 3/2018 Kelly A63B 21/078
 2018/0117382 A1 5/2018 Johanson et al.
 2018/0142832 A1 * 5/2018 Inouye A61H 15/00
 2018/0178051 A1 6/2018 Shaw, Jr.
 2018/0243597 A1 8/2018 Schlegel
 2018/0326250 A1 11/2018 Henniger et al.
 2018/0353795 A1 12/2018 Ostmeyer et al.
 2019/0009157 A1 1/2019 Sudeith et al.
 2019/0126088 A1 * 5/2019 Henniger A63B 21/4035
 2019/0240521 A1 8/2019 Staten
 2019/0269992 A1 9/2019 Dunahay
 2019/0275363 A1 9/2019 Jones et al.
 2020/0179744 A1 6/2020 Arroyo

OTHER PUBLICATIONS

Product listing for Rogue Echo Rig from <https://web.archive.org/web/20160518084653/http://www.roguefitness.com/echo-rig>, dated May 18, 2016.
 Product listing for Rogue Monster Lite Rig 2.0 from <https://web.archive.org/web/20160511215330/http://www.roguefitness.com/monster-lite-rig-2-0>, dated May 11, 2016.
 Product listing for Rogue Monster Rig 2.0 from <https://web.archive.org/web/20160511213413/http://www.roguefitness.com/monster-rig-2-0>, dated May 11, 2016.
 Product listing for Rogue Infinity Rig from <https://web.archive.org/web/20160518082947/http://www.roguefitness.com/infinity-rig>, dated May 18, 2016.
 Product listing for Rogue Monster Rig from <https://web.archive.org/web/20160317072250/http://www.roguefitness.com/monster-rig>, dated Mar. 17, 2016.
 Photos of Rogue Regional Rig, known to be publicly disclosed prior to Apr. 25, 2017.
 Photos of Rogue Regional Rig from <https://twitter.com/roguefitness/status/865599795754180608>, dated May 19, 2017.
 Screenshots taken from https://www.youtube.com/watch?v=OWN6HYHR0_Y, dated Jul. 28, 2017.
 Roguefitness, "Rogue Monster Climbing Hold Crossmembers", Jan. 14, 2020. https://www.roguefitness.com/rogue-monster-climbing-hold-crossmember?prod_id=67426&gclid=CjwKCAiA6vXwBRBKEiwAYE7iS_Zy9bmf6yjAtCxxaQrVrJkdDypcRxqH6MGaAQf7xiwX6WZiCb0xoCGLAQAvD_BwE. Shown on p. 1. (Year: 2020).
 Product listing for Rogue Monster Crossmembers from <https://web.archive.org/web/20151005121212/http://www.roguefitness.com/rogue-monster-crossmembers>, dated Oct. 5, 2015.
 Product listing for Rogue Monster Lite Crossmembers from <https://web.archive.org/web/20150831043319/http://www.roguefitness.com/monster-lite-crossmembers>, dated Aug. 31, 2015.
 Product listing for Rogue RM-6 Monster Rack from <https://web.archive.org/web/20180725062357/https://www.roguefitness.com/rogue-rm-6-bolt-together-monster-rack-2-0>, dated Jul. 25, 2018.
 Product listing for Rogue Monster Lite Crossmembers from <https://web.archive.org/web/20180726214651/https://www.roguefitness.com/monster-lite-crossmembers>, dated Jul. 26, 2018.
 Product listing for Rogue Monster Lite Monkey Rig 2.0 from <https://web.archive.org/web/20170629153857/http://www.roguefitness.com/rogue-monster-lite-monkey-rig-2-0>, dated Jun. 29, 2017.
 Product listing for Rogue Monster Wingspan Rig from <https://www.roguefitness.com/rogue-monster-wingspan-rig>, dated Mar. 20, 2020, product available prior to Jul. 31, 2018.

(56)

References Cited

OTHER PUBLICATIONS

Product listing for Rogue Monster Crossmembers from <https://web.archive.org/web/20180831022022/https://www.roguefitness.com/rogue-monster-crossmembers>, dated Aug. 31, 2018.

Product listing for Rogue Monster Crossmembers from <https://web.archive.org/web/20151005121212/https://www.roguefitness.com/rogue-monster-crossmembers>, dated Oct. 5, 2015.

Product listing for Monster Lite Crossmembers from <https://web.archive.org/web/20180726214651/https://www.roguefitness.com/monster-lite-crossmembers>, dated Jul. 26, 2018.

Product listing for Rogue Infinity Crossmembers from <https://web.archive.org/web/20171106183221/http://www.roguefitness.com/rogue-infinity-crossmembers>, dated Nov. 6, 2017.

Product listing for Rogue Infinity Crossmembers from <https://web.archive.org/web/20151005114744/http://www.roguefitness.com/rogue-infinity-crossmembers>, dated Oct. 5, 2015.

Product listing for Rogue Echo Crossmembers from <https://web.archive.org/web/20151005124555/http://www.roguefitness.com/rogue-echo-crossmembers>, dated Oct. 5, 2015.

* cited by examiner

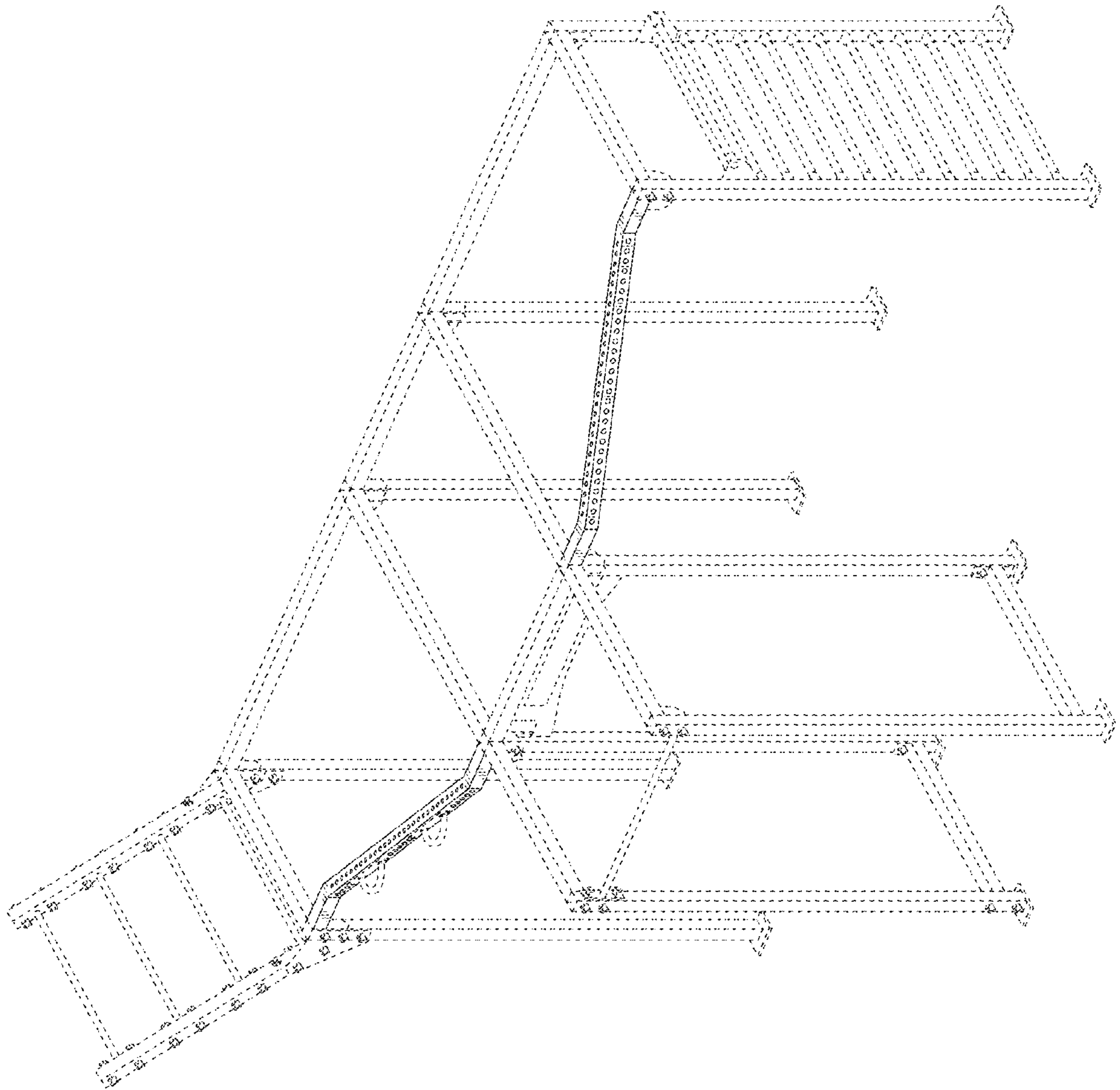


FIG. 1

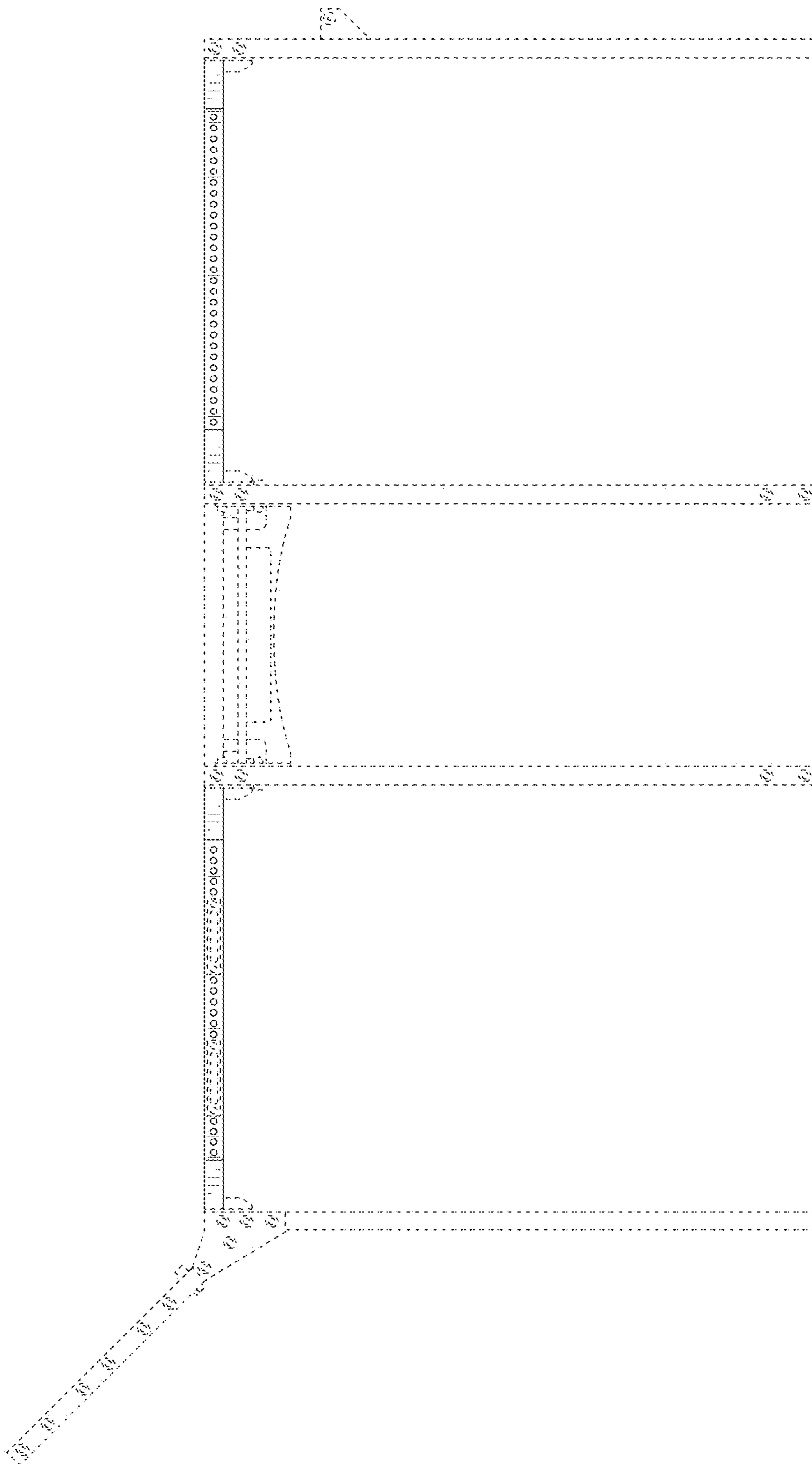


FIG. 2

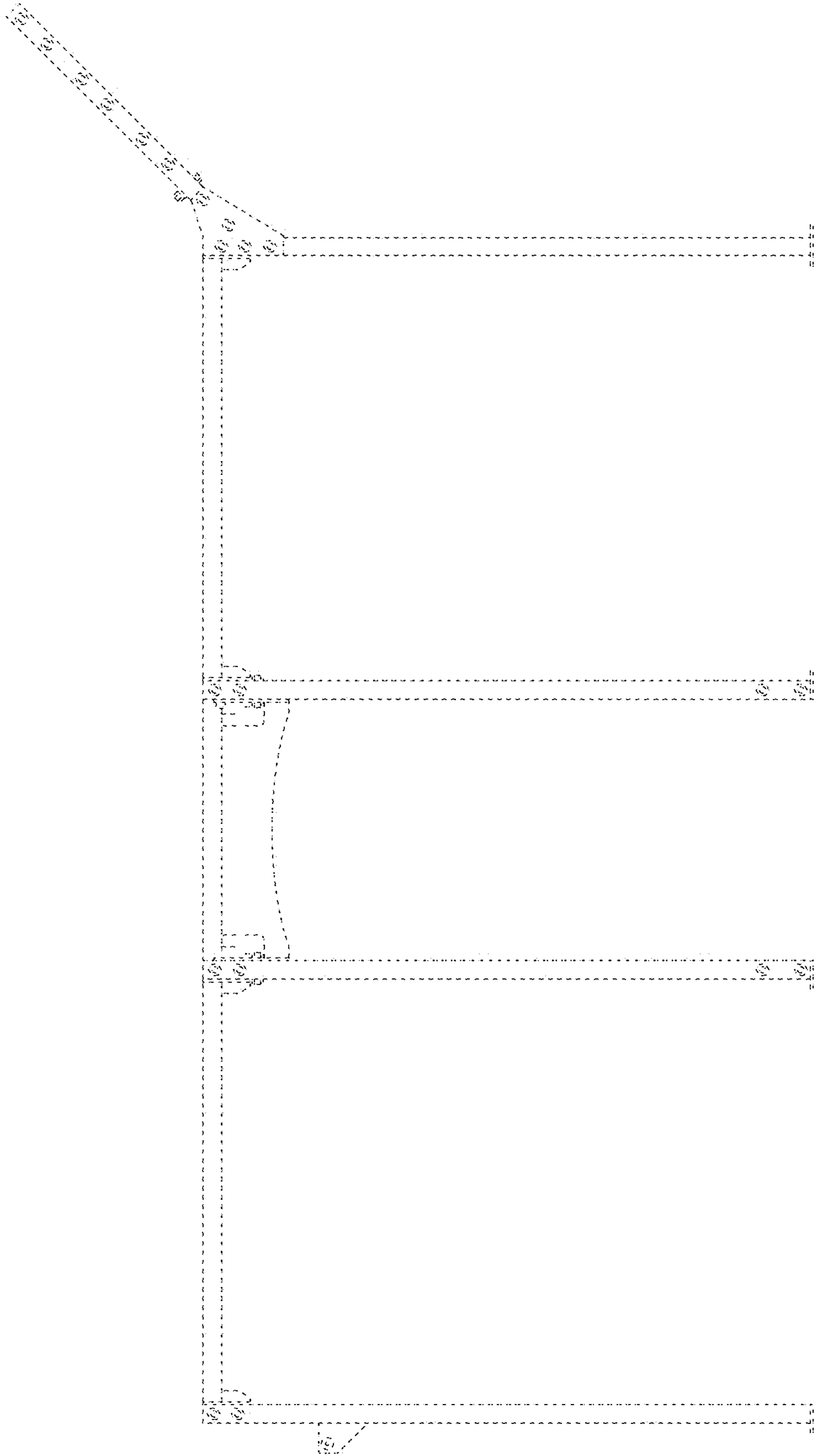


FIG. 3

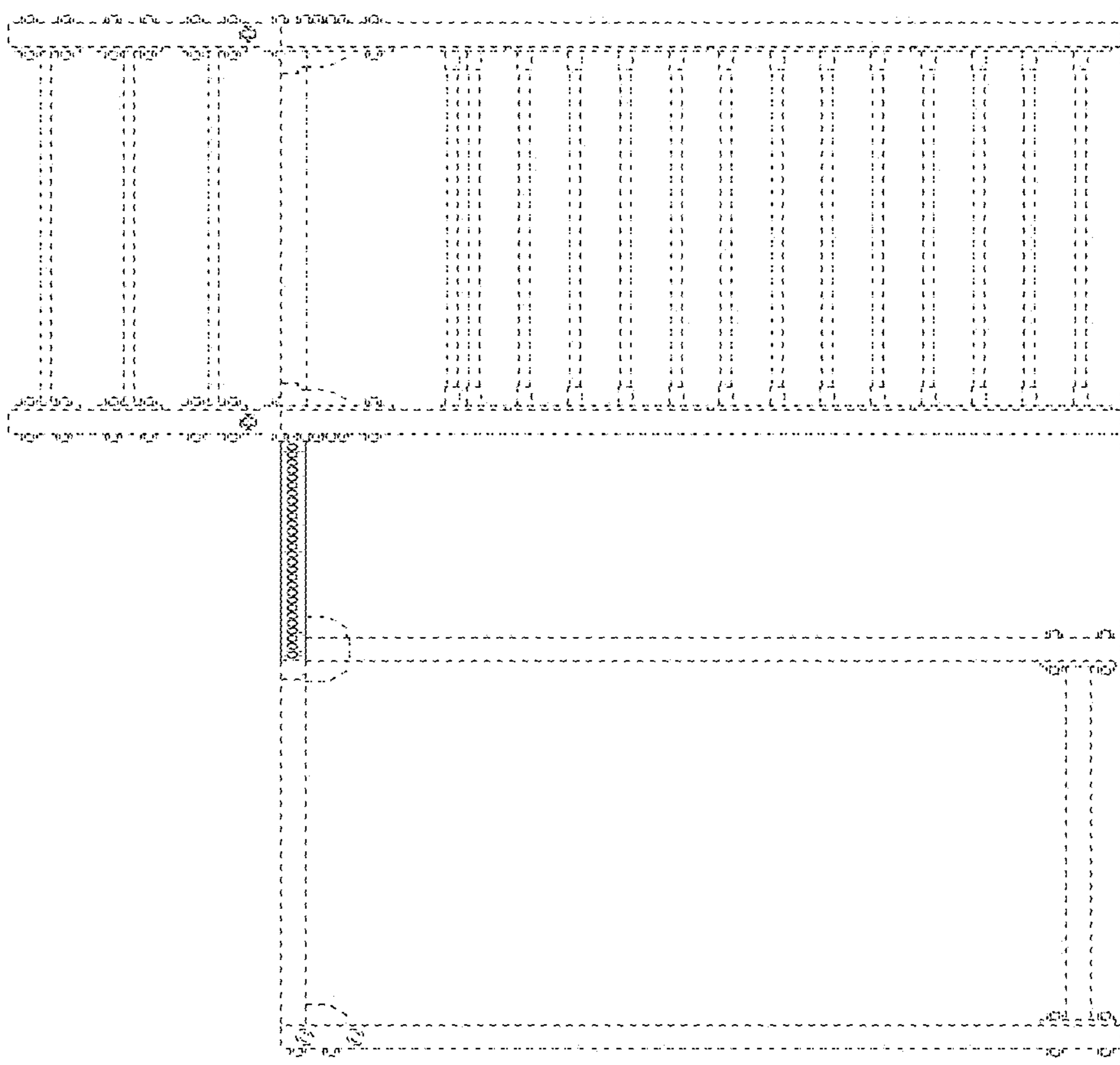


FIG. 4

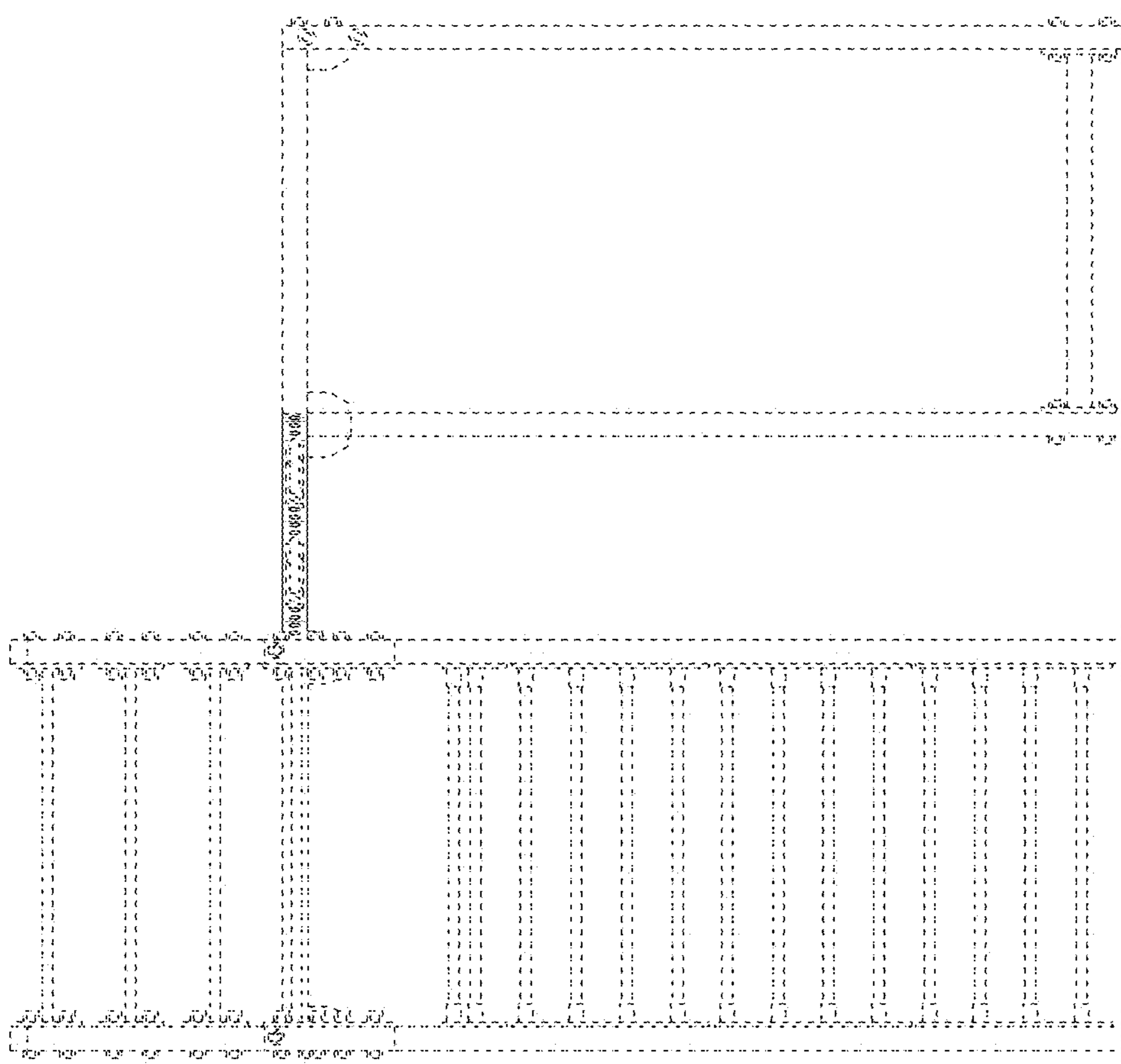


FIG. 5

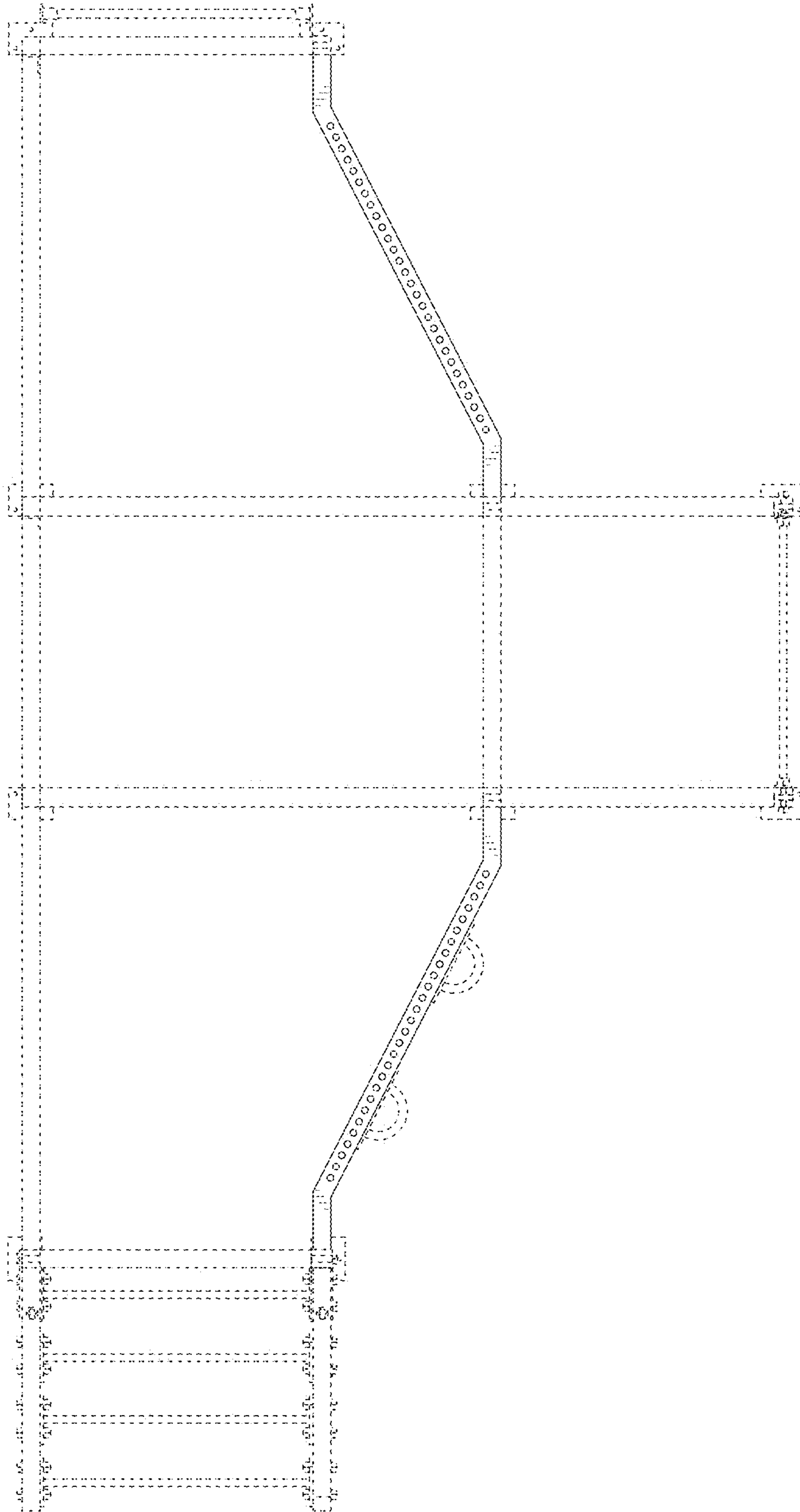


FIG. 6

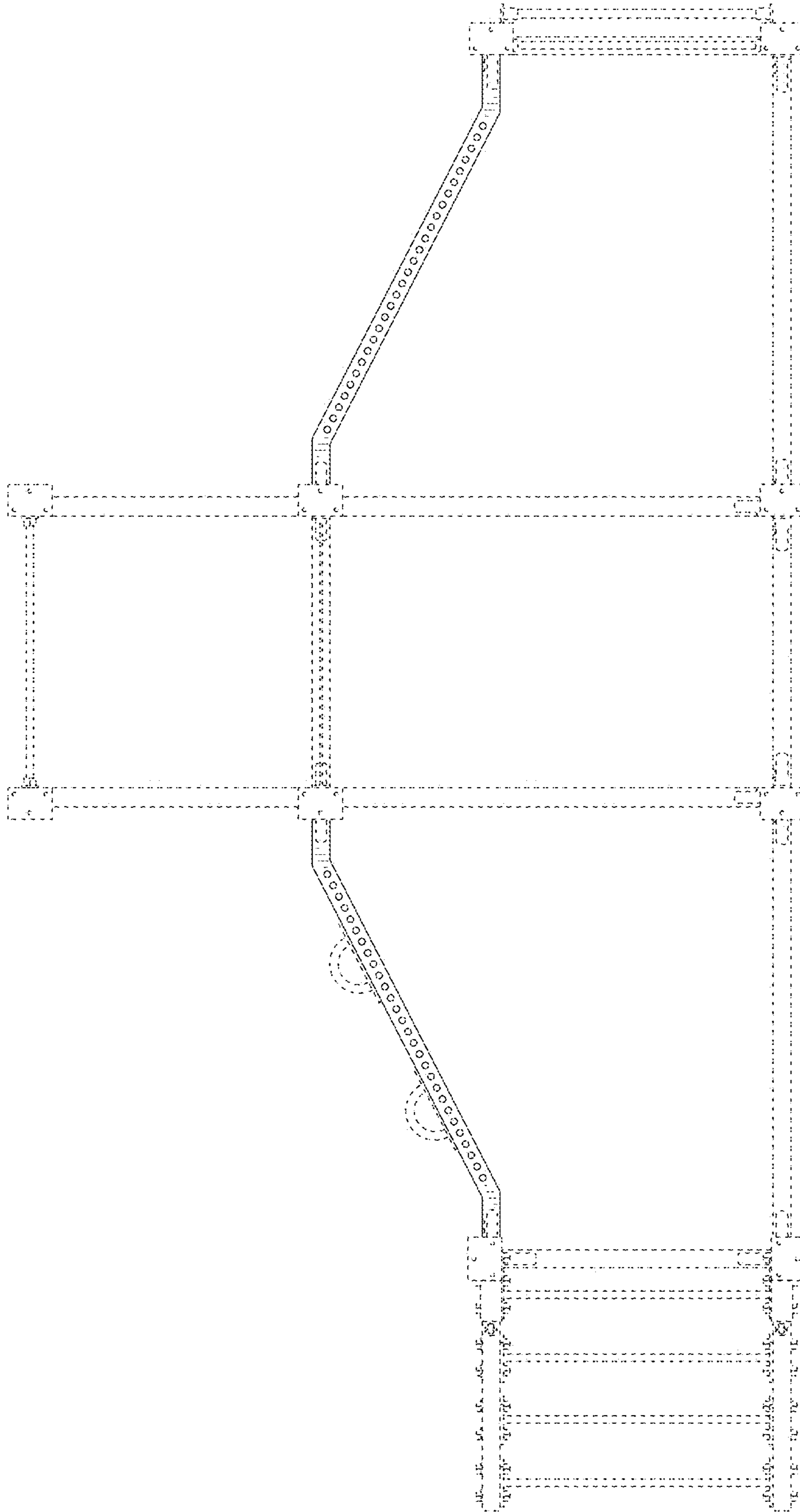


FIG. 7