



US00D928251S

(12) **United States Design Patent**
Jonz et al.

(10) **Patent No.:** **US D928,251 S**
(45) **Date of Patent:** **** Aug. 17, 2021**

- (54) **EXERCISE BICYCLE**
- (71) Applicants: **Juillei Jon Jonz**, Auburn, WA (US);
Jacqueline Foules Jonz, Auburn, WA (US)
- (72) Inventors: **Juillei Jon Jonz**, Auburn, WA (US);
Jacqueline Foules Jonz, Auburn, WA (US)
- (73) Assignee: **Juillei Jon Jonz**, Auburn, WA (US)
- (**) Term: **15 Years**
- (21) Appl. No.: **29/742,014**
- (22) Filed: **Sep. 10, 2019**
- (51) **LOC (13) Cl.** **21-02**
- (52) **U.S. Cl.**
USPC **D21/663**
- (58) **Field of Classification Search**
USPC D21/419, 432, 435, 667, 666, 668, 690,
D21/676, 691, 662, 675, 686, 694, 663,
D21/697; D6/552; D12/108, 109, 111,
D12/112, 113, 124, 178, 411, 345
See application file for complete search history.

- 2012/0071301 A1* 3/2012 Kaylor A63B 22/0605
482/57
- 2012/0238411 A1* 9/2012 McBride A63B 22/0007
482/57
- 2013/0015635 A1* 1/2013 Schwartz B62K 3/002
280/290
- 2015/0265873 A1* 9/2015 Wang A63B 21/225
482/63
- 2019/0336820 A1* 11/2019 Barry A63B 23/0238

OTHER PUBLICATIONS

KeiserM3i, announced 2014 [online], [site visited Nov. 10, 2020]. Available from internet, URL: https://www.amazon.com/Keiser-M3i-Indoor-Cycle-Bundle/dp/B00LSX8AA0/ref=sr_1_3?dchild=1&gclid=Cj0KCQiA-tj9BRCAARIsANB_4ABCp_so636utSS9ufP2uRRDZfBWRaOhZeFXej4ZZowQ7GmHJdRTIRcaAsBnEALw_wcB&hvadid=17 (Year: 2014).*

Carepeutic, announced 2014 [online], [site visited Nov. 10, 2020]. Available from internet, URL: <https://www.amazon.com/Carepeutic-Betaflex-Homephysio-Malibu-Exercise/dp/B00KVCCLLY6> (Year: 2014).*

* cited by examiner

Primary Examiner — Khawaja Anwar
Assistant Examiner — Julice Seung Eun Oum

(56) **References Cited**

U.S. PATENT DOCUMENTS

- 6,918,860 B1* 7/2005 Nusbaum A63B 24/0087
463/37
- D583,426 S * 12/2008 Webber D21/691
- D606,135 S * 12/2009 Grider D21/673
- D626,609 S * 11/2010 Grider D21/694
- 8,128,536 B2* 3/2012 Ditolla A63B 22/0605
482/62
- D837,909 S * 1/2019 Noback D21/686
- 2005/0272567 A1* 12/2005 Ditolla A63B 22/0605
482/62
- 2006/0025289 A1* 2/2006 Wallach A63B 21/4035
482/121

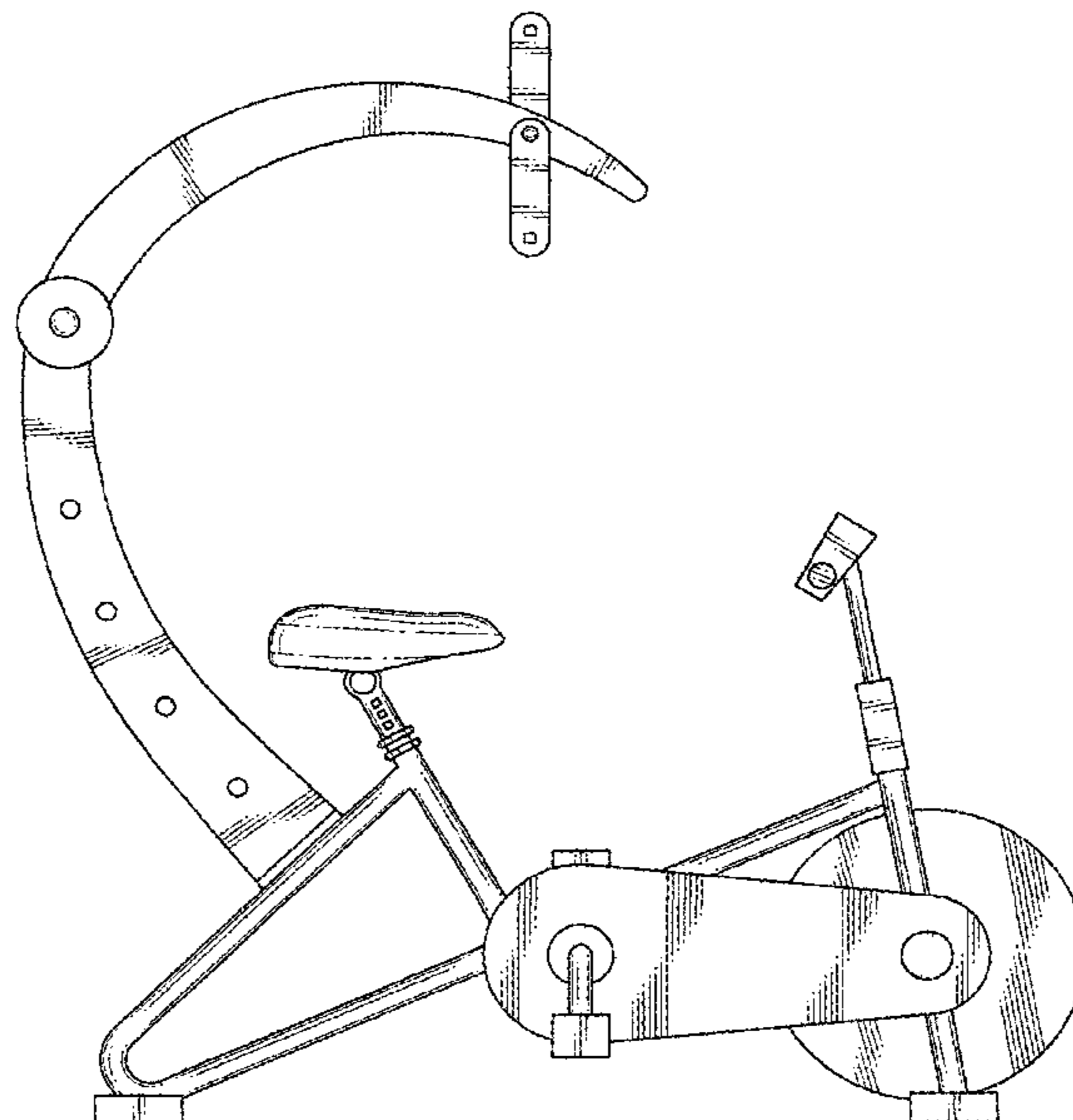
(57) **CLAIM**

The ornamental design for an exercise bicycle, as shown and described.

DESCRIPTION

FIG. 1 is a right side view of an exercise bicycle showing my new design;
FIG. 2 is a left side view thereof;
FIG. 3 is a rear view thereof; and,
FIG. 4 is a front view thereof.

1 Claim, 4 Drawing Sheets



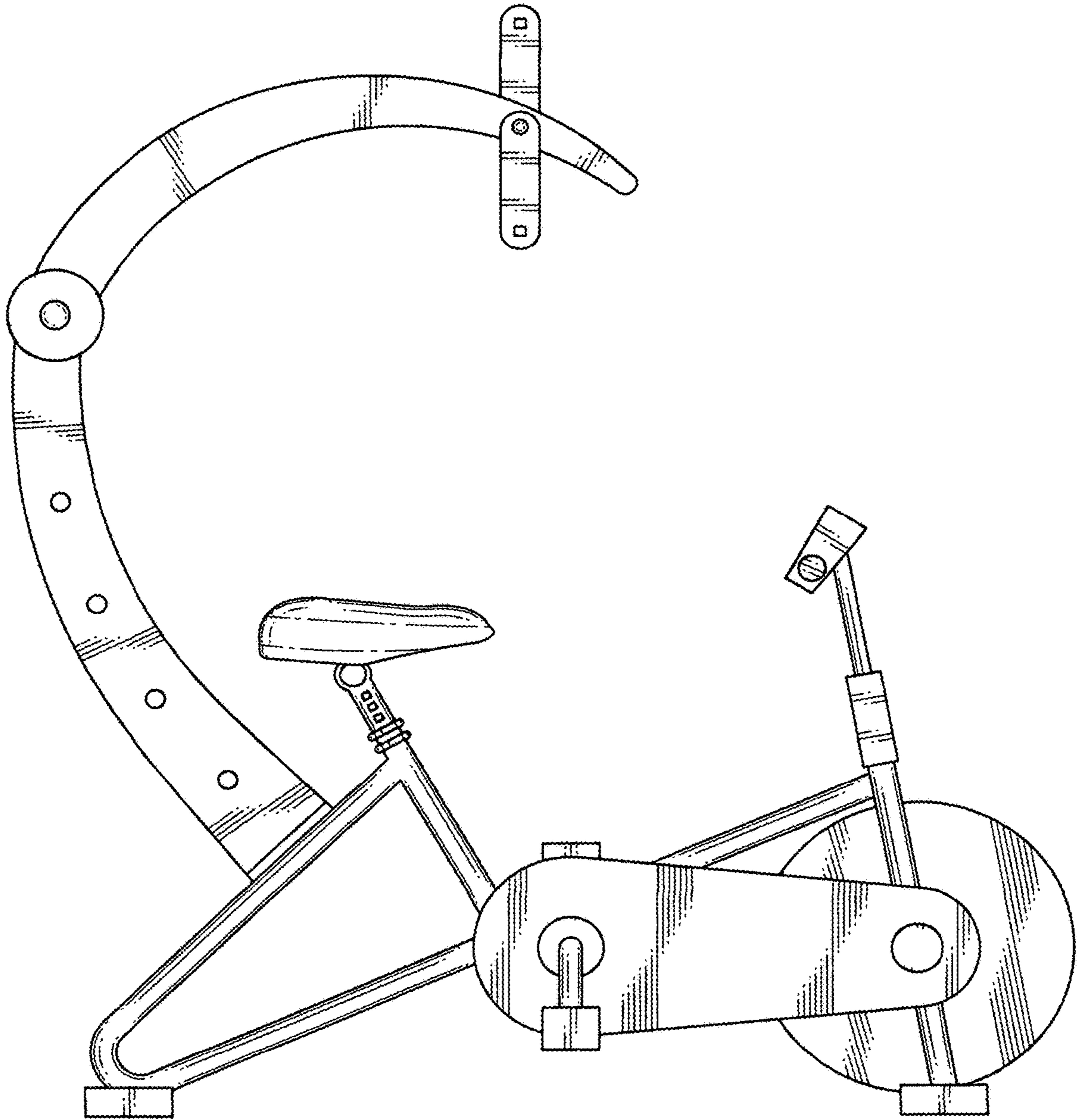


FIG. 1

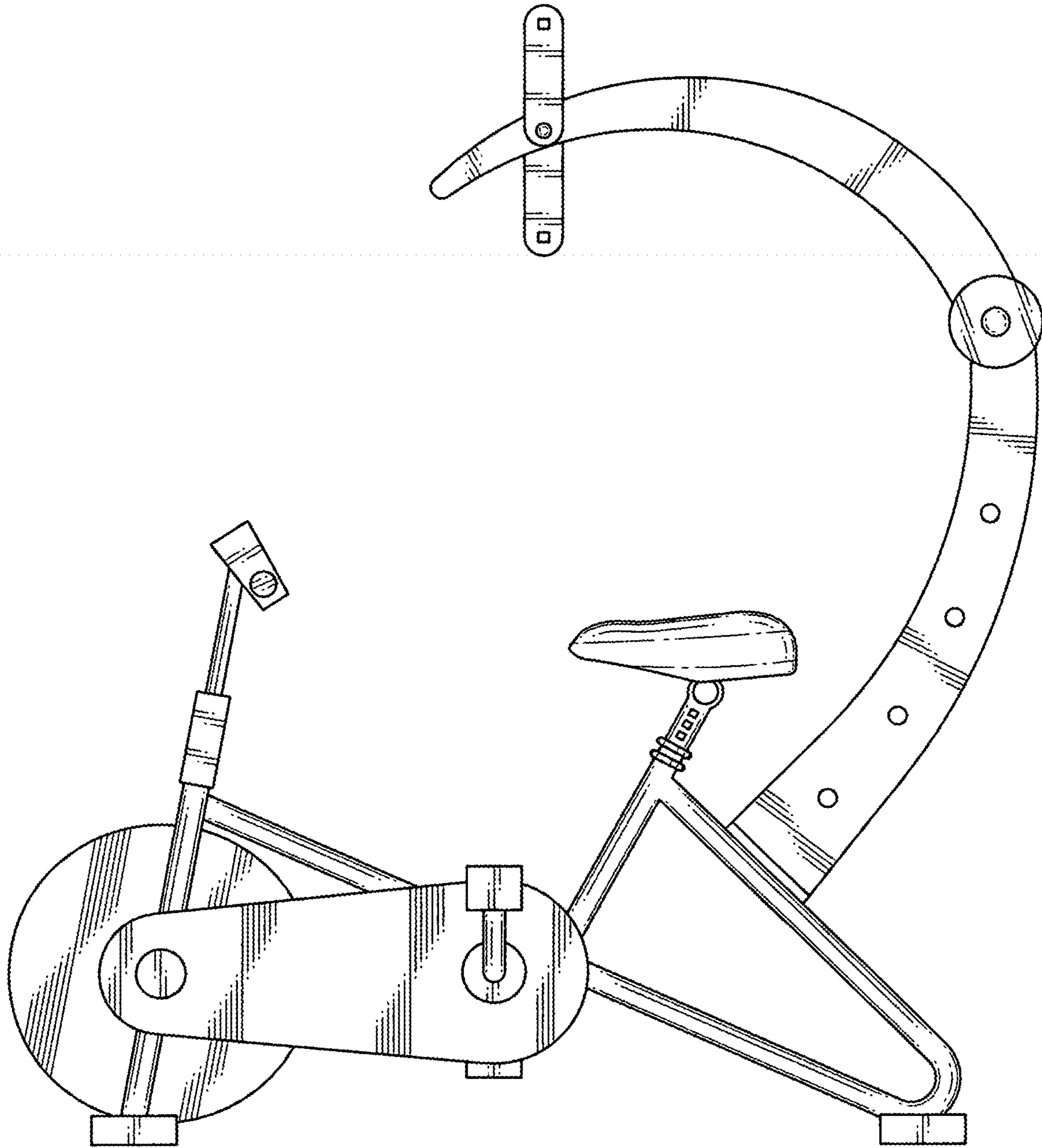


FIG. 2

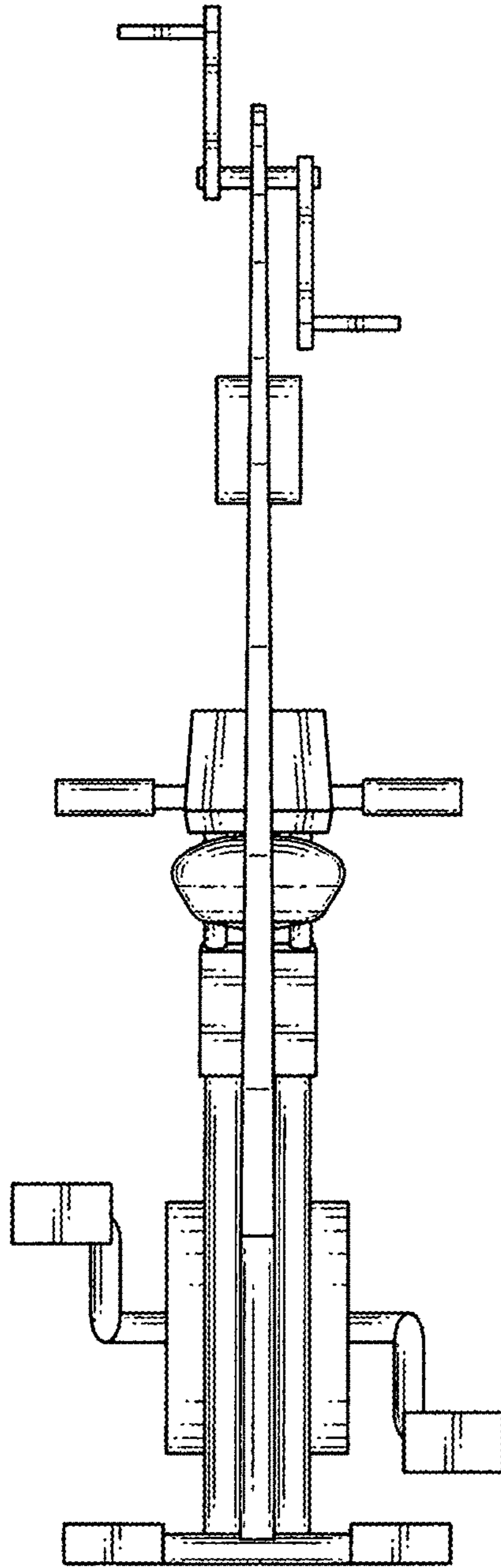


FIG. 3

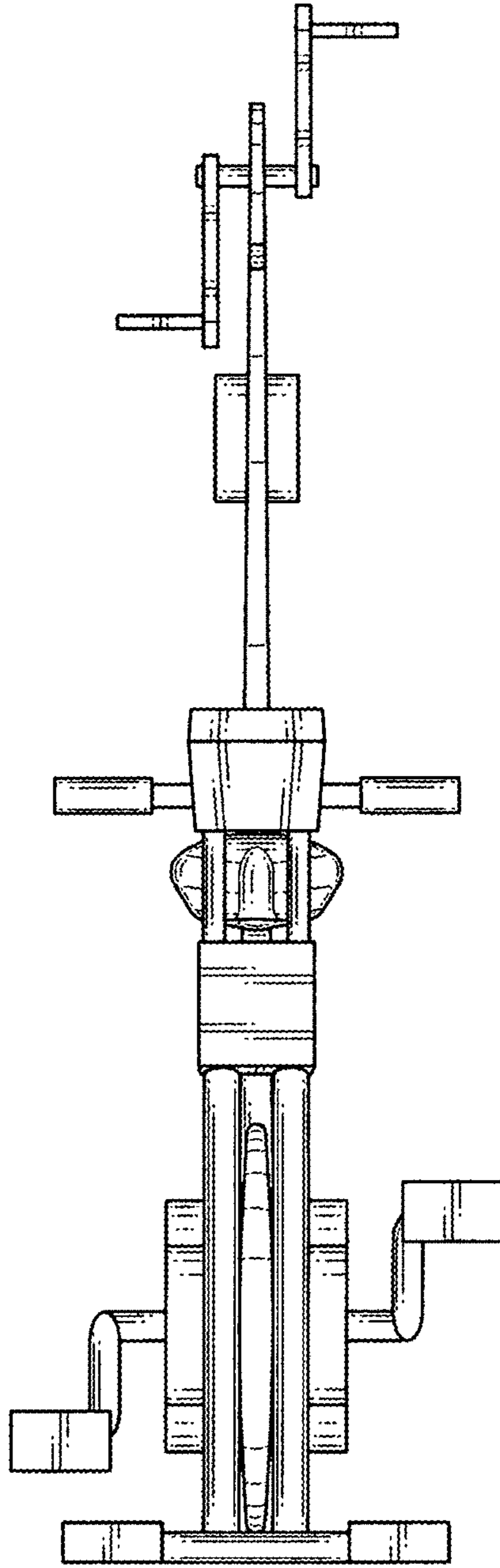


FIG. 4