



US00D928250S

(12) **United States Design Patent** (10) **Patent No.:** **US D928,250 S**
Kuo (45) **Date of Patent:** **** Aug. 17, 2021**

(54) **FITNESS DRUM**
(71) Applicant: **Chin-I Kuo**, Shandong (CN)
(72) Inventor: **Chin-I Kuo**, Shandong (CN)
(**) Term: **15 Years**
(21) Appl. No.: **29/655,387**
(22) Filed: **Jul. 3, 2018**

(30) **Foreign Application Priority Data**

Jan. 30, 2018 (CN) 201830042294.3

(51) **LOC (13) Cl.** **21-02**

(52) **U.S. Cl.**
USPC **D21/662**

(58) **Field of Classification Search**
USPC D21/680, 688, 399, 412, 451, 492, 504,
D21/671, 686, 692, 694, 662; D6/595,
D6/596, 597, 1, 604, 349, 350, 484;
D25/65; D7/698, 699, 629, 388, 637;
D24/190, 191, 192, 167; D17/99;
D30/118

CPC . A63B 22/0605; A63B 69/0093; A63B 26/00;
A63B 23/04

See application file for complete search history.

(56) **References Cited**

U.S. PATENT DOCUMENTS

D407,159 S * 3/1999 Roberg D24/167
D507,311 S * 7/2005 Butler D21/686
D517,136 S * 3/2006 Chen D21/671
7,169,099 B1 * 1/2007 Kemery A63B 23/08
482/146
D585,098 S * 1/2009 Rauwerdink D21/686
D607,881 S * 1/2010 Suetake D14/227
D626,607 S * 11/2010 Kim D21/671
D647,093 S * 10/2011 Kim D14/407
D707,842 S * 6/2014 Li D24/215
D717,381 S * 11/2014 Orenstein D21/671
D799,706 S * 10/2017 Scheuermann D24/189
D810,469 S * 2/2018 Lu D6/592

D822,774 S * 7/2018 Strong Crawley D21/671
D842,481 S * 3/2019 Jayalath D24/186
10,398,918 B2 * 9/2019 Lin A63B 21/4039
D870,300 S * 12/2019 Hsieh D24/200
2005/0020418 A1 * 1/2005 Lin A63B 23/0458
482/142
2011/0269605 A1 * 11/2011 Kim A63B 22/14
482/121
2017/0157467 A1 * 6/2017 Strong Crawley .. A63B 26/003

OTHER PUBLICATIONS

Chisoft stretcher, announced 2013 [online], [site visited Apr. 12, 2021]. Available on the internet, URL:https://www.amazon.com/Stretcher-Different-CHISOFT-Stretching-Corrector/dp/B00GRBIP6W/ref=sr_1_58_sspa?dchild=1&keywords=ankle+holder+for+inversion+table&qid=1618363518&sr=8-58-spons&psc=1 &spLa=ZW5jenlw dGVkUXVhbGlmaWVyPUEzNV01T0xOMkZLUTZXJmVuY3J5c HRIZEIkPUEwMjQ2MTMyMU1DMUUhGSzlBTvdRTSZlbnNye XB0ZWZWRBZEIkPUEwMjEwNjU3MjNXWEdKQjNQMkRaRSZ3 aWRnZXROYW1lPXNwX2J0ZiZhY3Rpb249Y2xpY2tSZWRpcm VjdCZkb05vdExvZ0NsaWNrPXRydWU= (Year: 2013).*

* cited by examiner

Primary Examiner — Khawaja Anwar
Assistant Examiner — Julice Seung Eun Oum

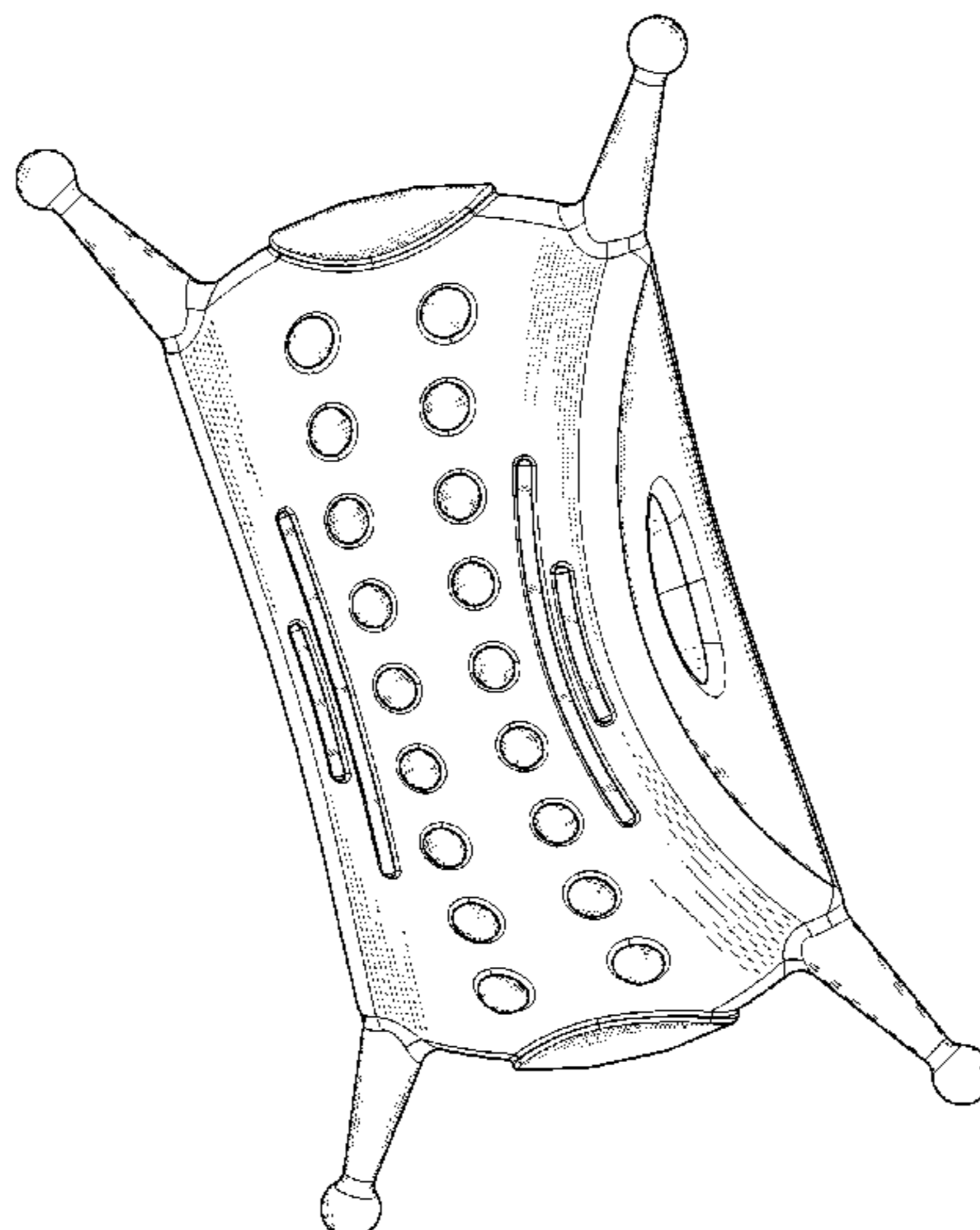
(57) **CLAIM**

The ornamental design for a fitness drum, as shown and described.

DESCRIPTION

FIG. 1 is a perspective view of a fitness drum showing my new design;
FIG. 2 is another perspective view thereof;
FIG. 3 is a front elevation view thereof;
FIG. 4 is a back elevation view thereof;
FIG. 5 is a left side view thereof;
FIG. 6 is a right side view thereof;
FIG. 7 is a top plan view thereof; and,
FIG. 8 is a bottom plan view thereof.

1 Claim, 8 Drawing Sheets



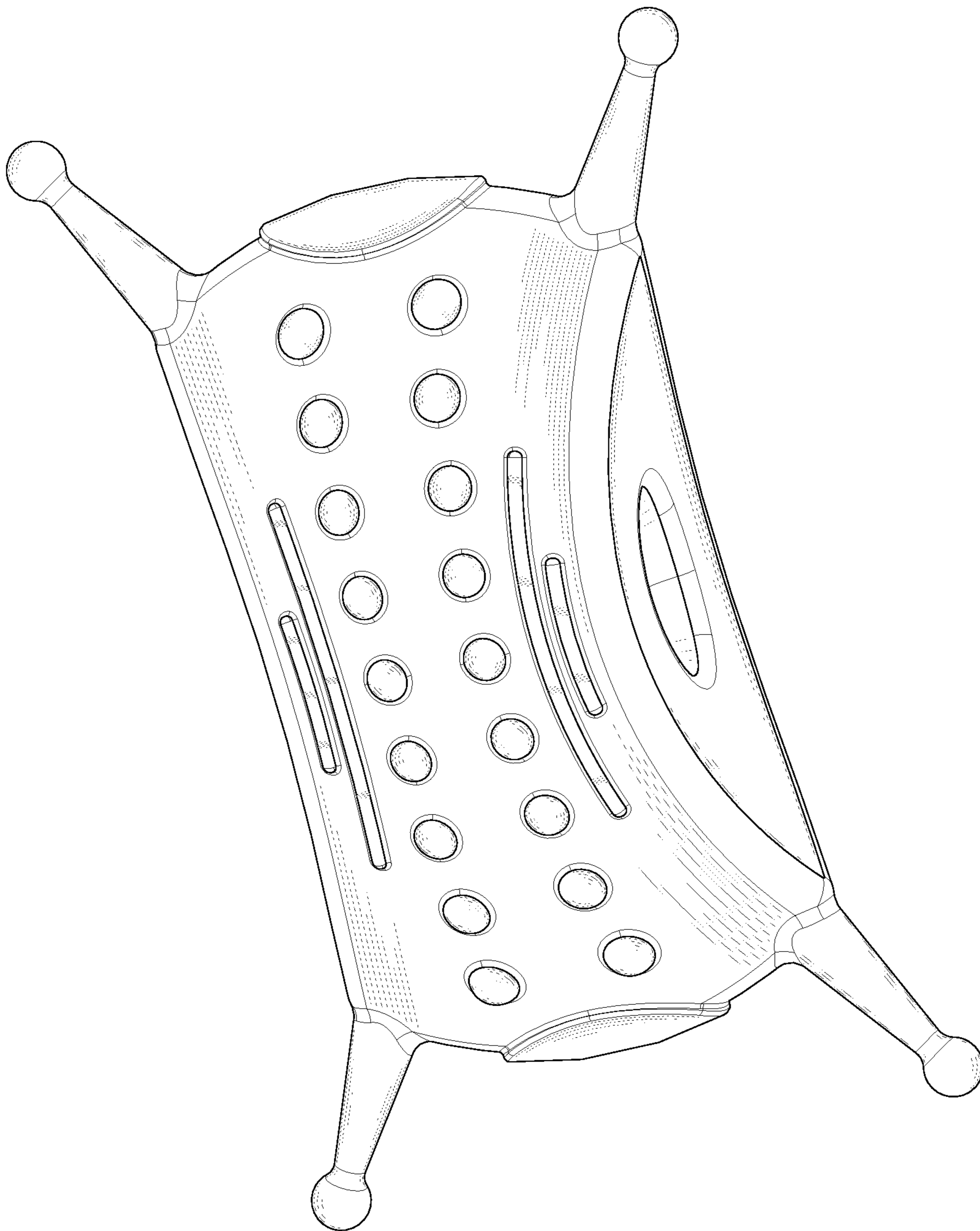


FIG. 1

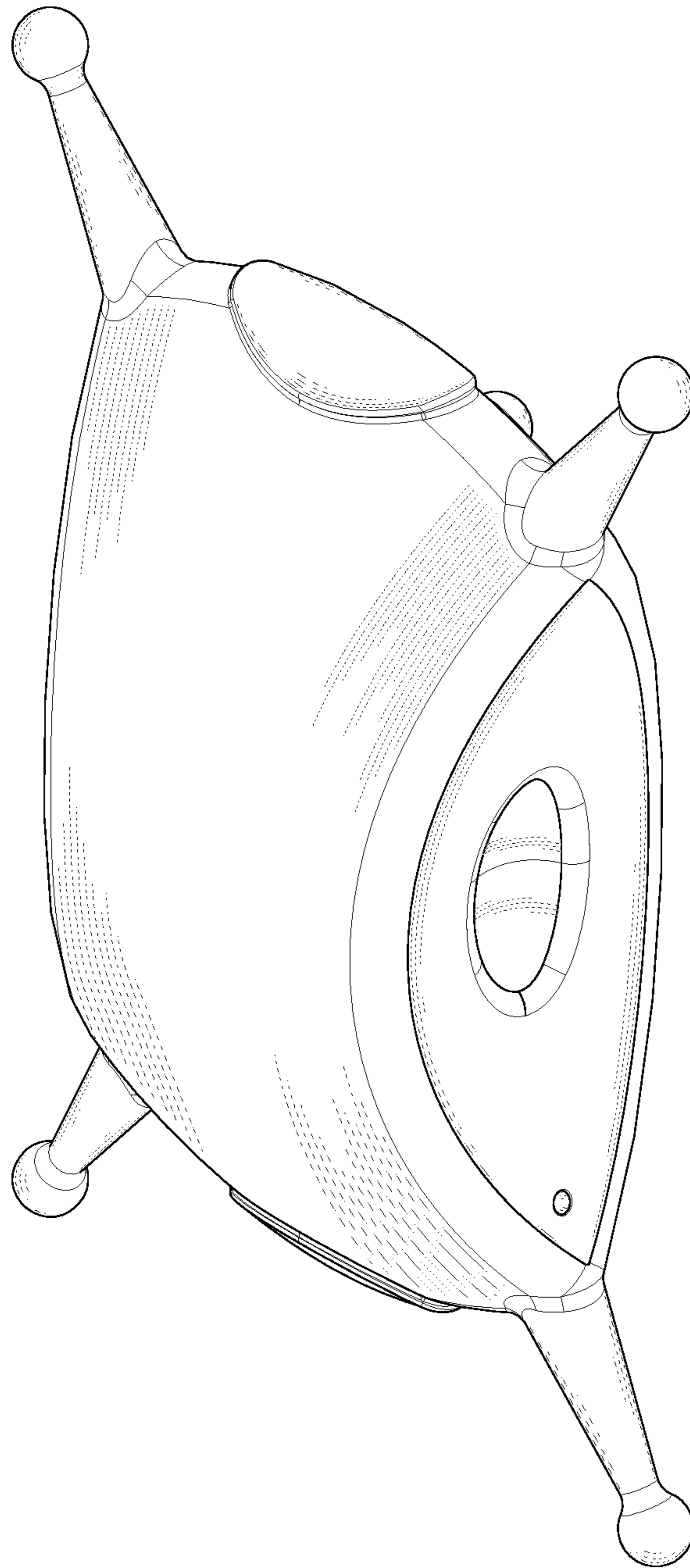


FIG. 2

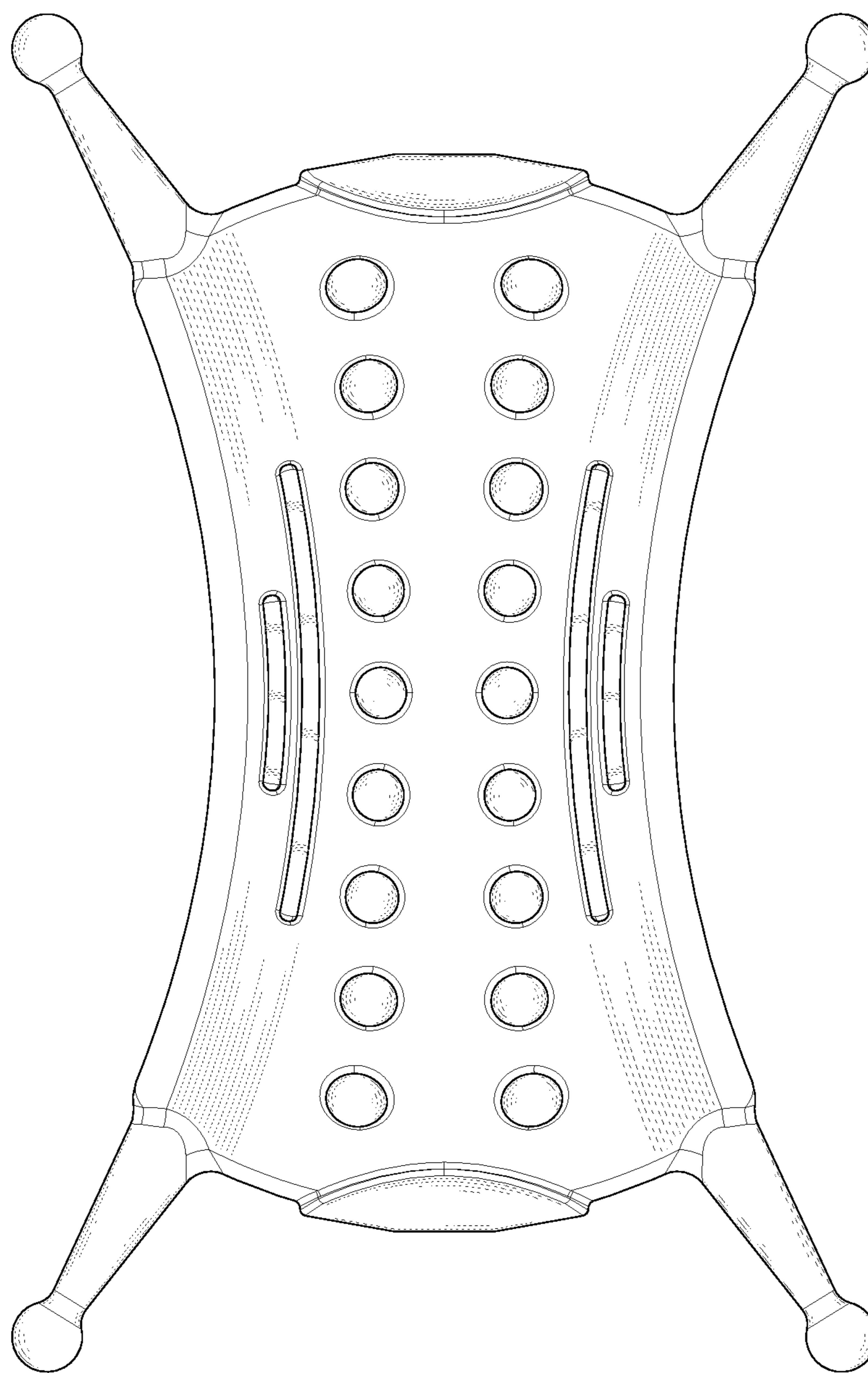


FIG. 3

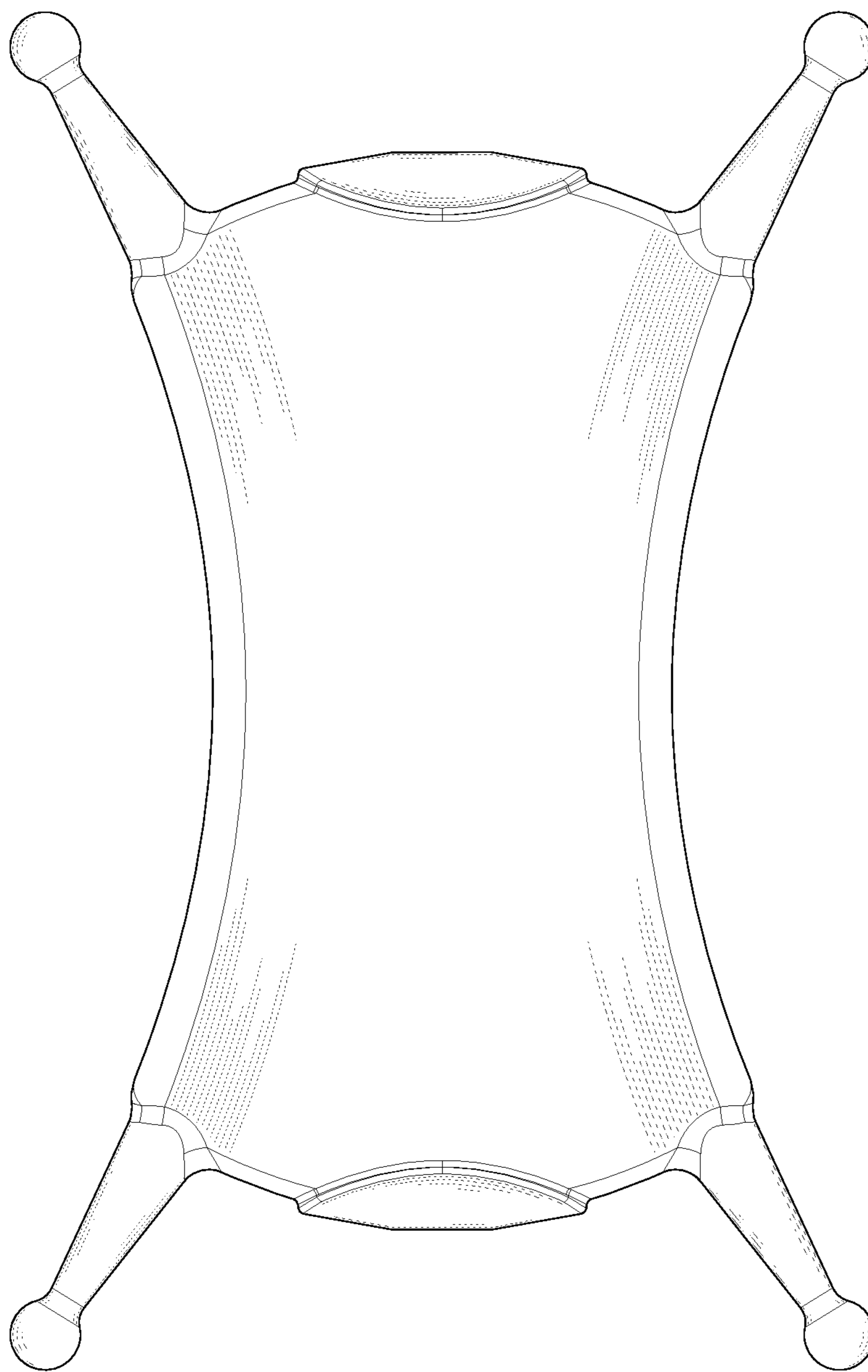


FIG. 4

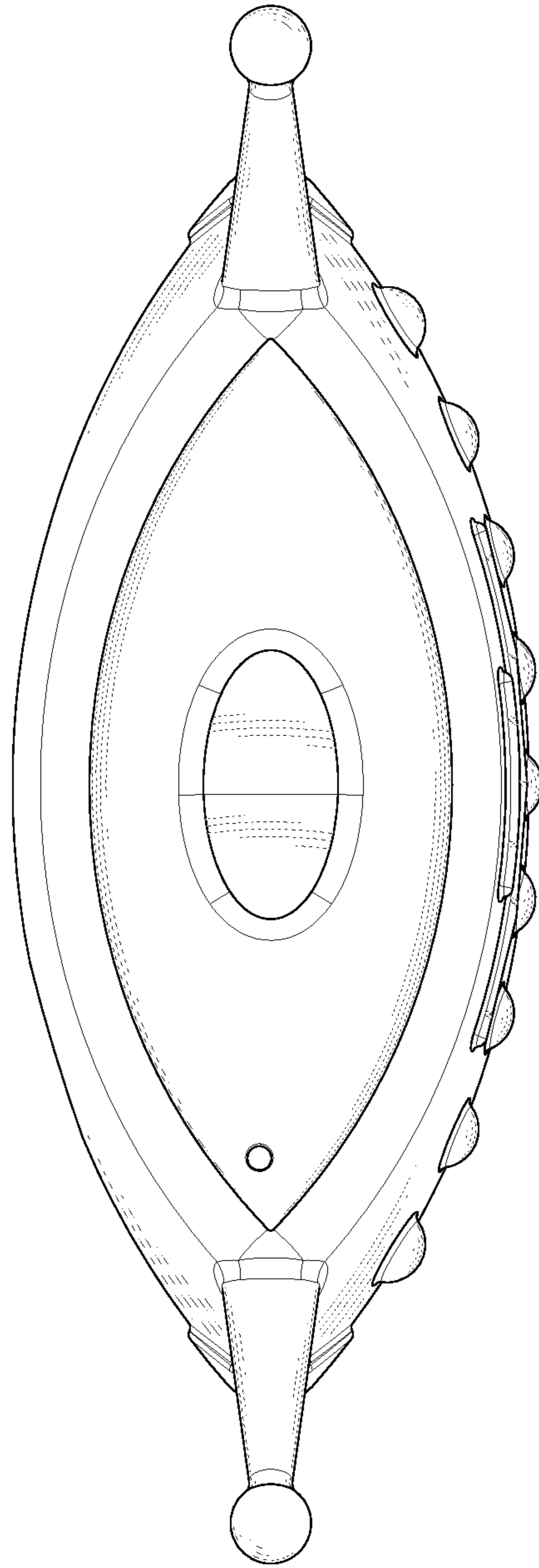


FIG. 5

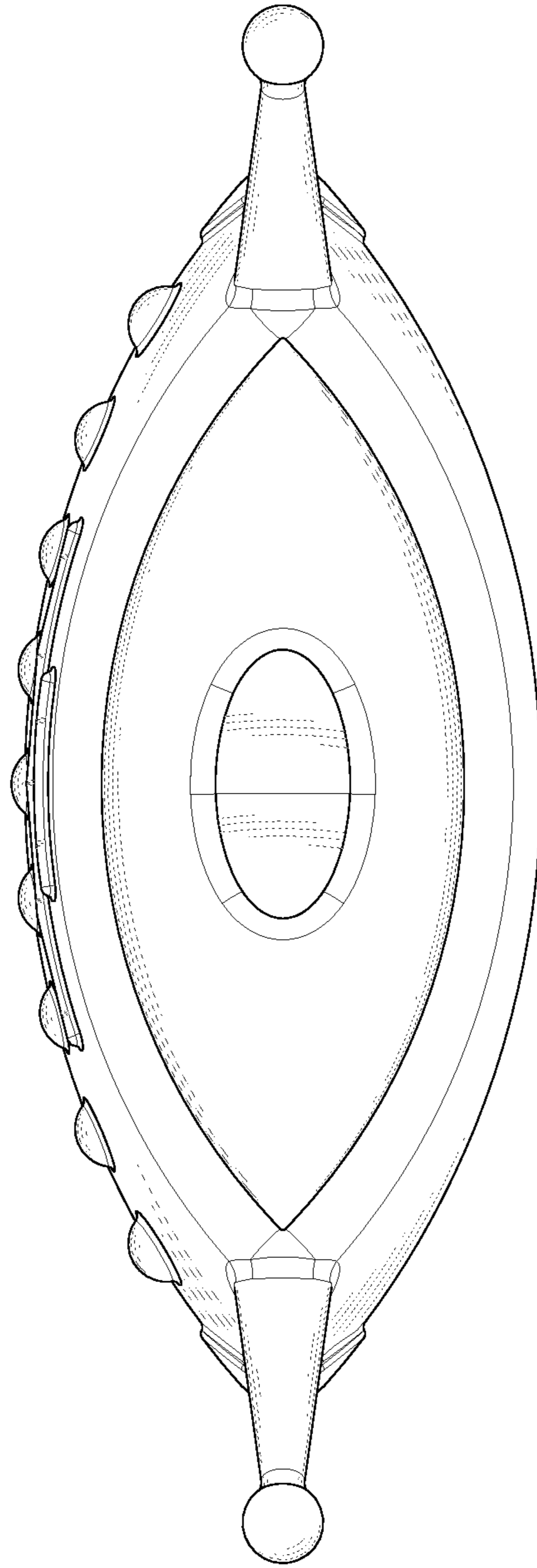


FIG. 6

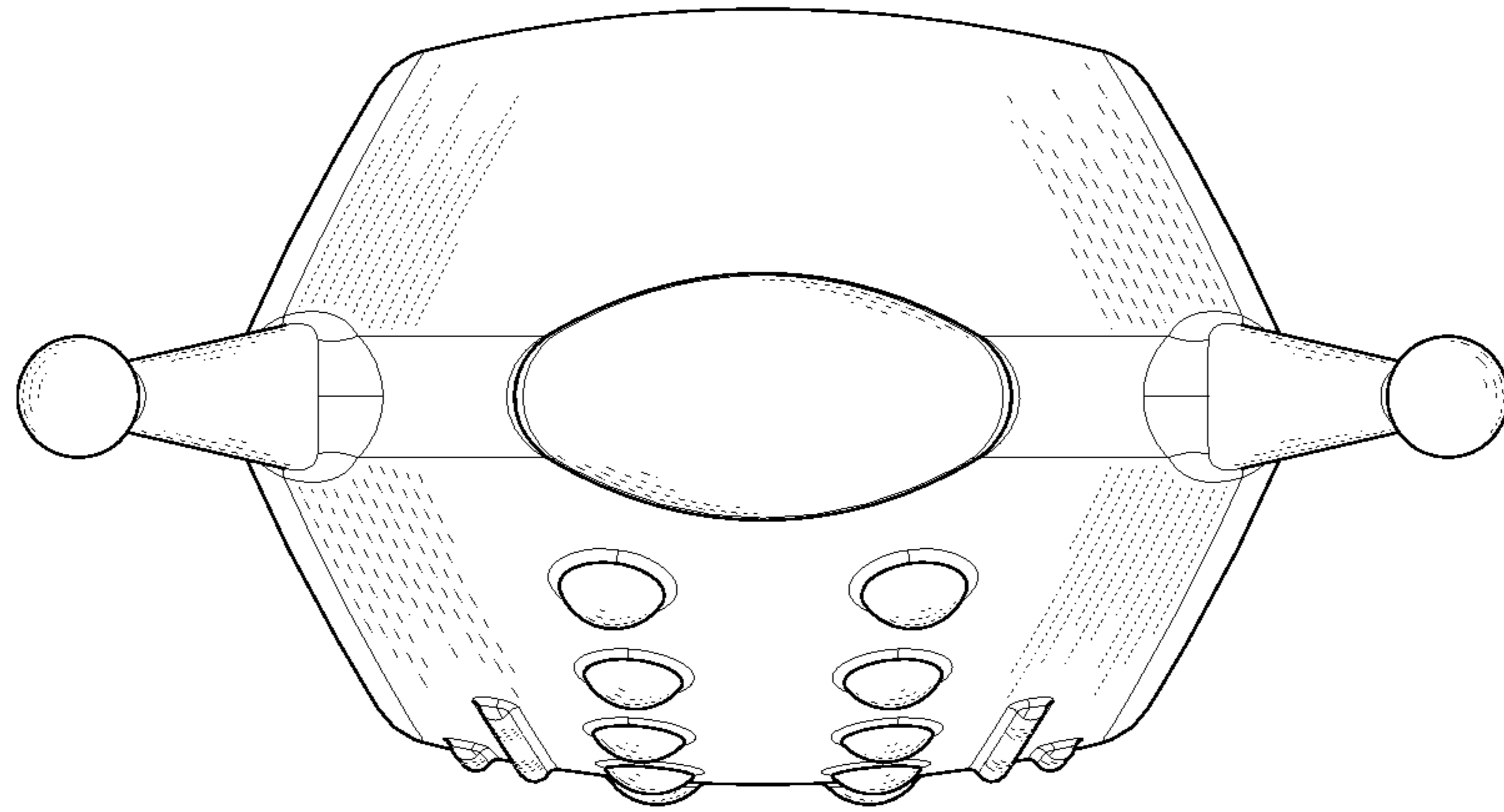


FIG. 7

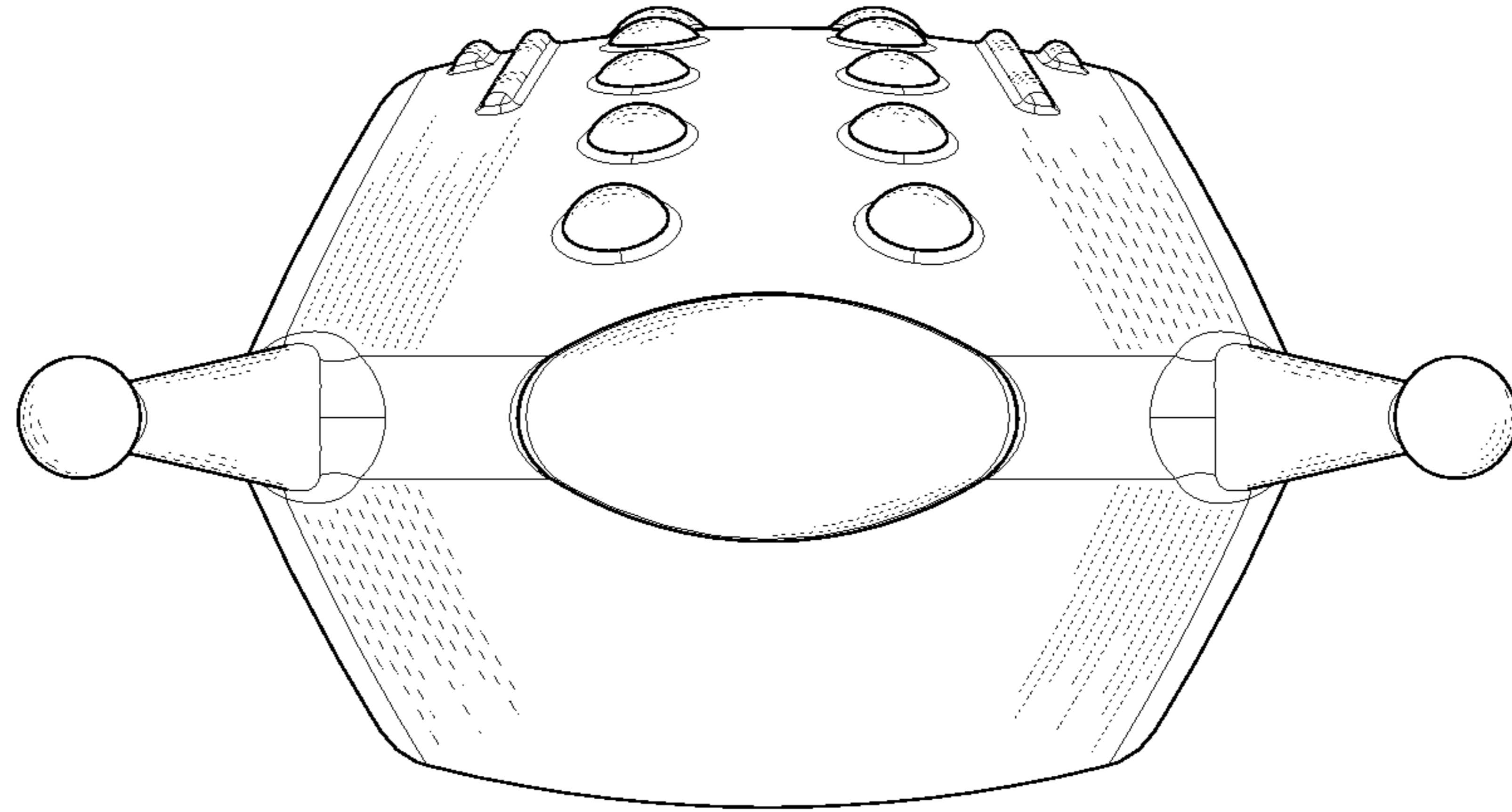


FIG. 8