



US00D928249S

(12) **United States Design Patent** (10) **Patent No.:** **US D928,249 S**
Leonov (45) **Date of Patent:** **** Aug. 17, 2021**

(54) **BUNNY WHIRLER EGG DECORATING TOY** 3,848,564 A * 11/1974 Kull B05C 13/025
118/13
(71) Applicant: **Joyin Inc.**, Tempe, AZ (US) D253,055 S * 10/1979 Fudro D19/108
D254,057 S * 1/1980 Heap D21/655
(72) Inventor: **Vladimir Leonov**, Mesa, AZ (US) D568,948 S * 5/2008 Johnson D21/576
D586,230 S * 2/2009 Pierre D21/655
(73) Assignee: **JOYIN INC.**, Tempe, AZ (US) D636,643 S * 4/2011 Tiemann B05C 13/025
D7/611
(**) Term: **15 Years** D748,207 S * 1/2016 Luo B05C 13/025
D21/655
(21) Appl. No.: **29/694,817** D832,376 S * 10/2018 Cummings D21/655

* cited by examiner

Primary Examiner — Sheryl Lane
Assistant Examiner — Calvin E Vansant

(30) **Foreign Application Priority Data**

Mar. 15, 2019 (CN) 201930107831.2

(51) **LOC (13) Cl.** **21-01**

(52) **U.S. Cl.**
USPC **D21/655; D19/108**

(58) **Field of Classification Search**
USPC D6/598; D11/158–159, 162;
D21/576–596, 655–656; 180/8.6;
D7/611; D19/108

CPC ... A63H 3/00; A63H 3/02; A63H 3/04; A63H
3/16; A63H 3/28; A63H 3/36; A63H
7/06; A63H 11/00; A63H 11/10; A63H
11/20; A63H 11/205; A63H 13/00; A63H
13/02; A63H 33/04; A63H 33/08; A63H
33/042; A63H 23/10; A63H 5/00; B05C
13/00; B05C 13/025

See application file for complete search history.

(56) **References Cited**

U.S. PATENT DOCUMENTS

D133,824 S * 9/1942 Young D7/611
3,358,644 A * 12/1967 Greene B05C 13/025
118/219

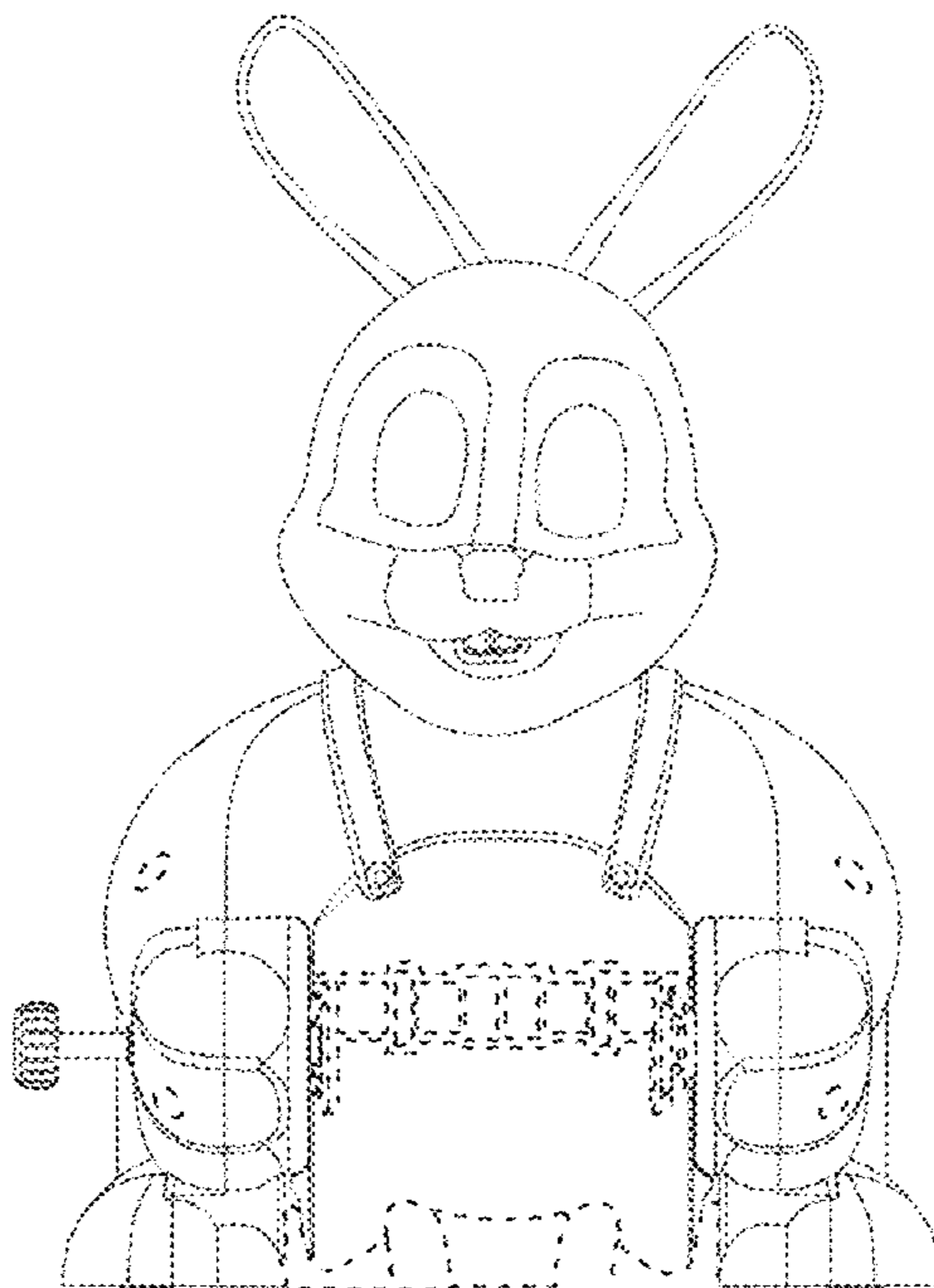
(57) **CLAIM**

The ornamental design for a bunny whirler egg decorating toy, as shown and described.

DESCRIPTION

FIG. 1 is a front elevational view of a bunny whirler egg decorating toy, showing my new design;
FIG. 2 is a rear elevational view thereof;
FIG. 3 is a bottom view thereof;
FIG. 4 is a top view thereof;
FIG. 5 is a left side elevational view thereof; and,
FIG. 6 is a right side elevational view thereof.
The broken lines depict portions of the bunny whirler egg decorating toy that form no part of the claimed design.

1 Claim, 6 Drawing Sheets



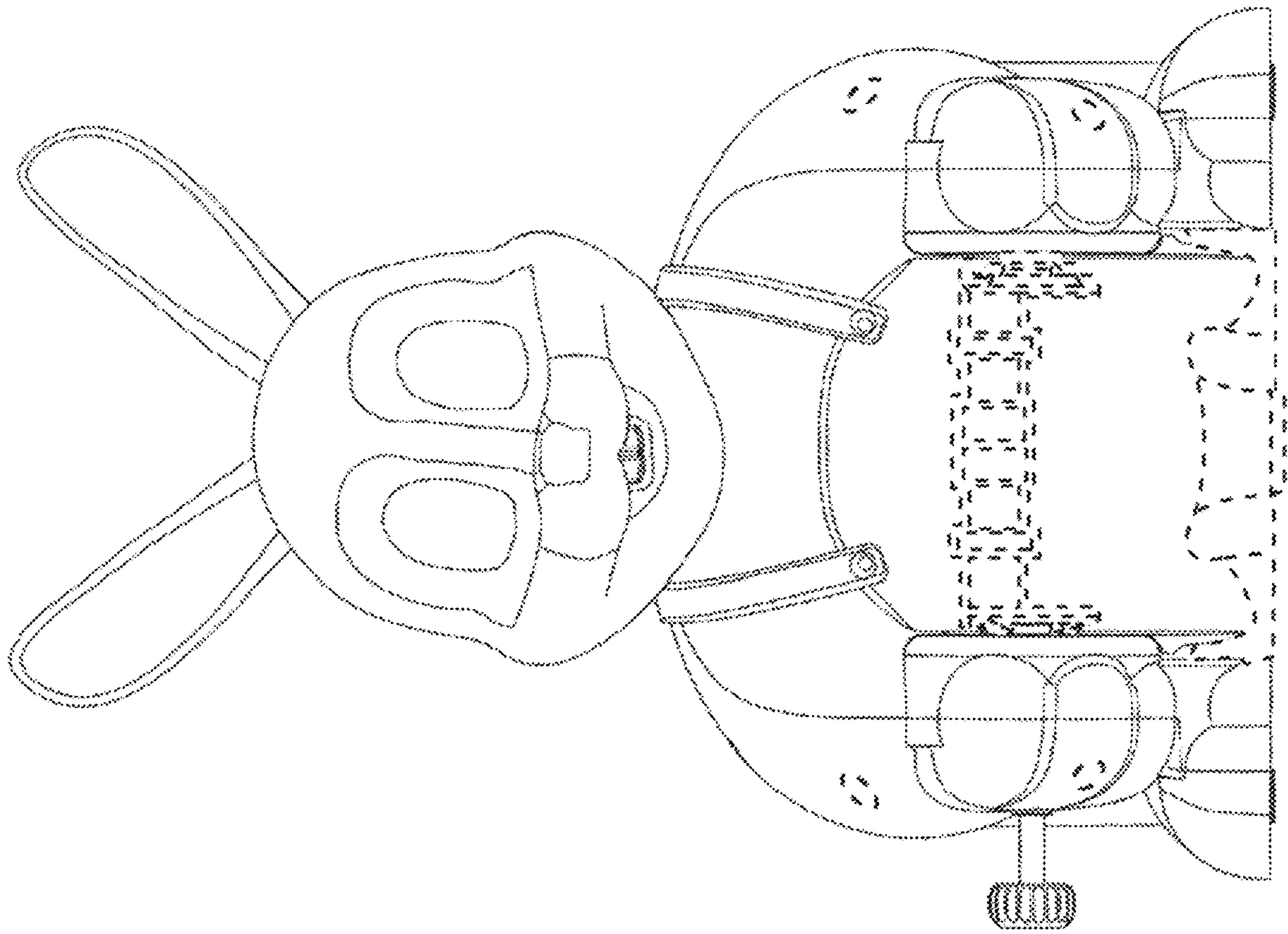


FIG. 1

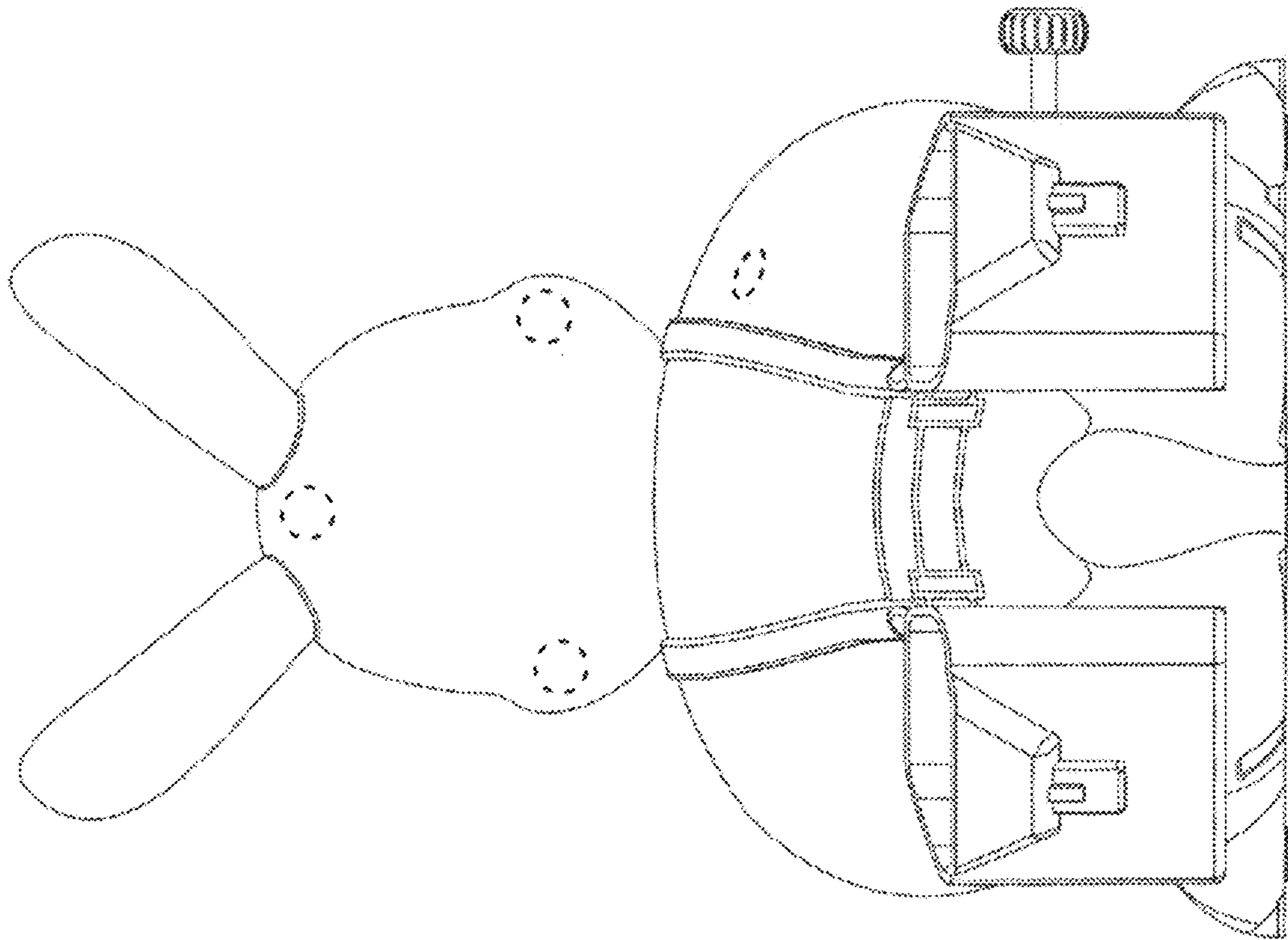


FIG. 2

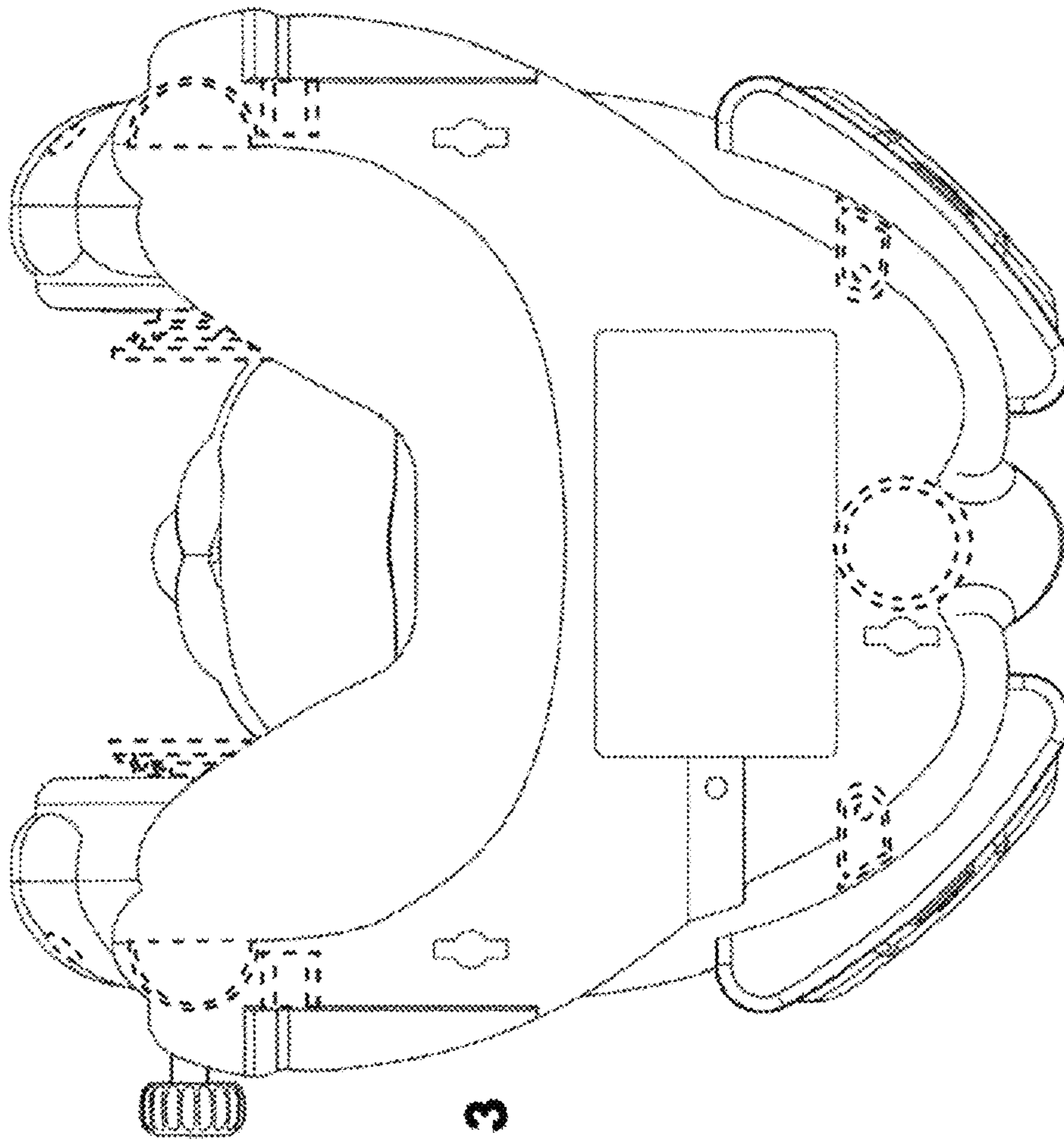


FIG. 3

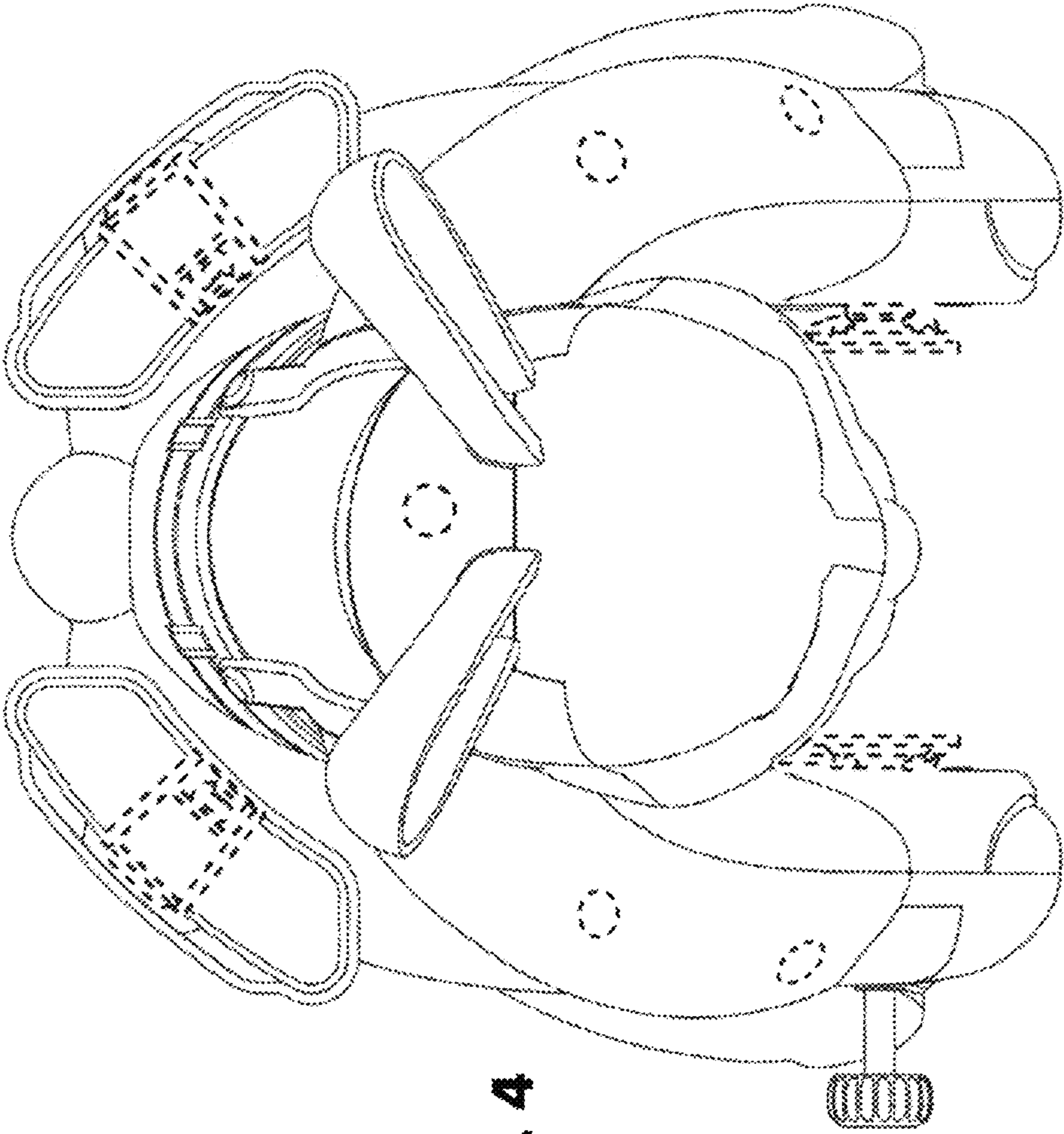


FIG. 4

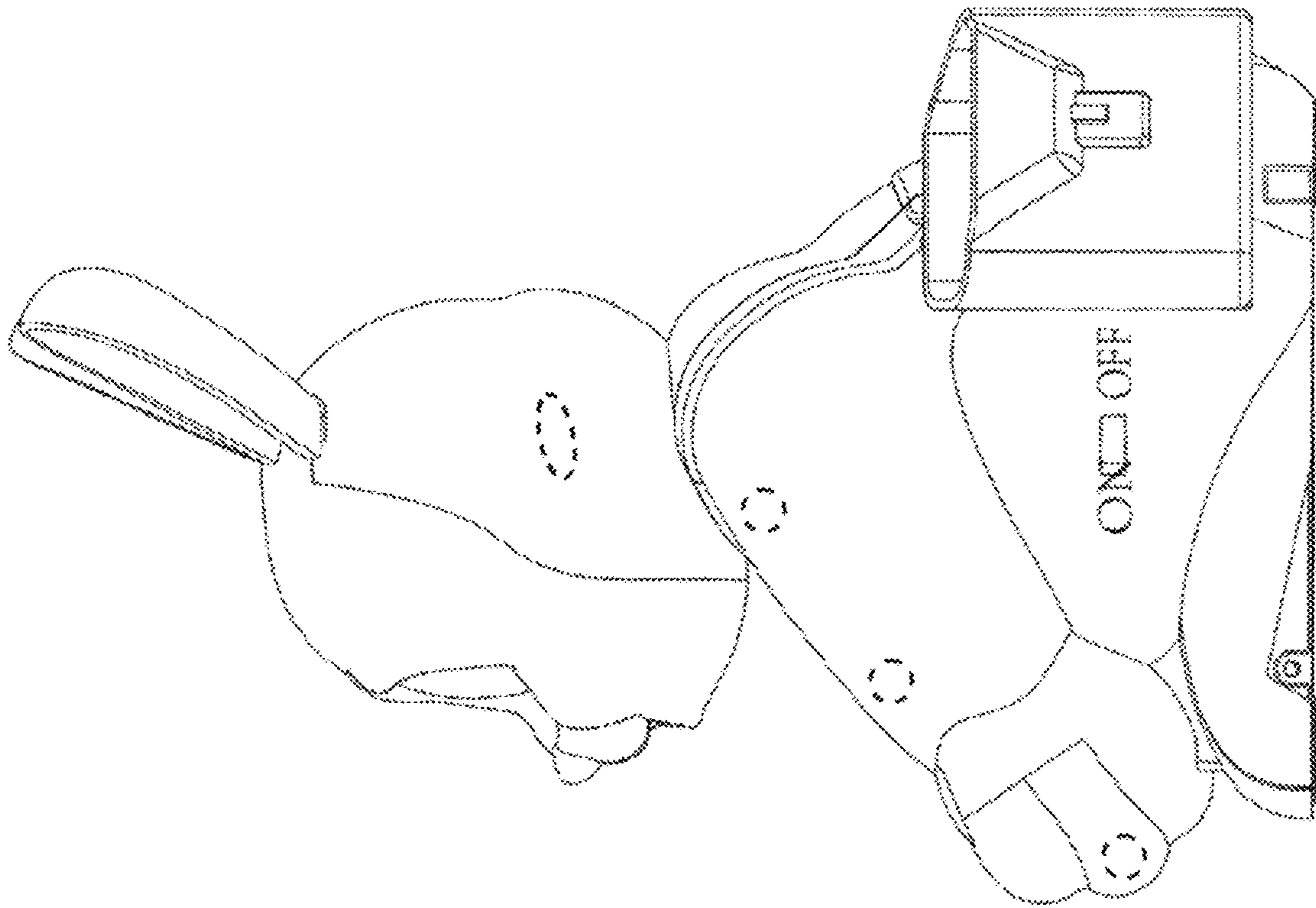


FIG. 5

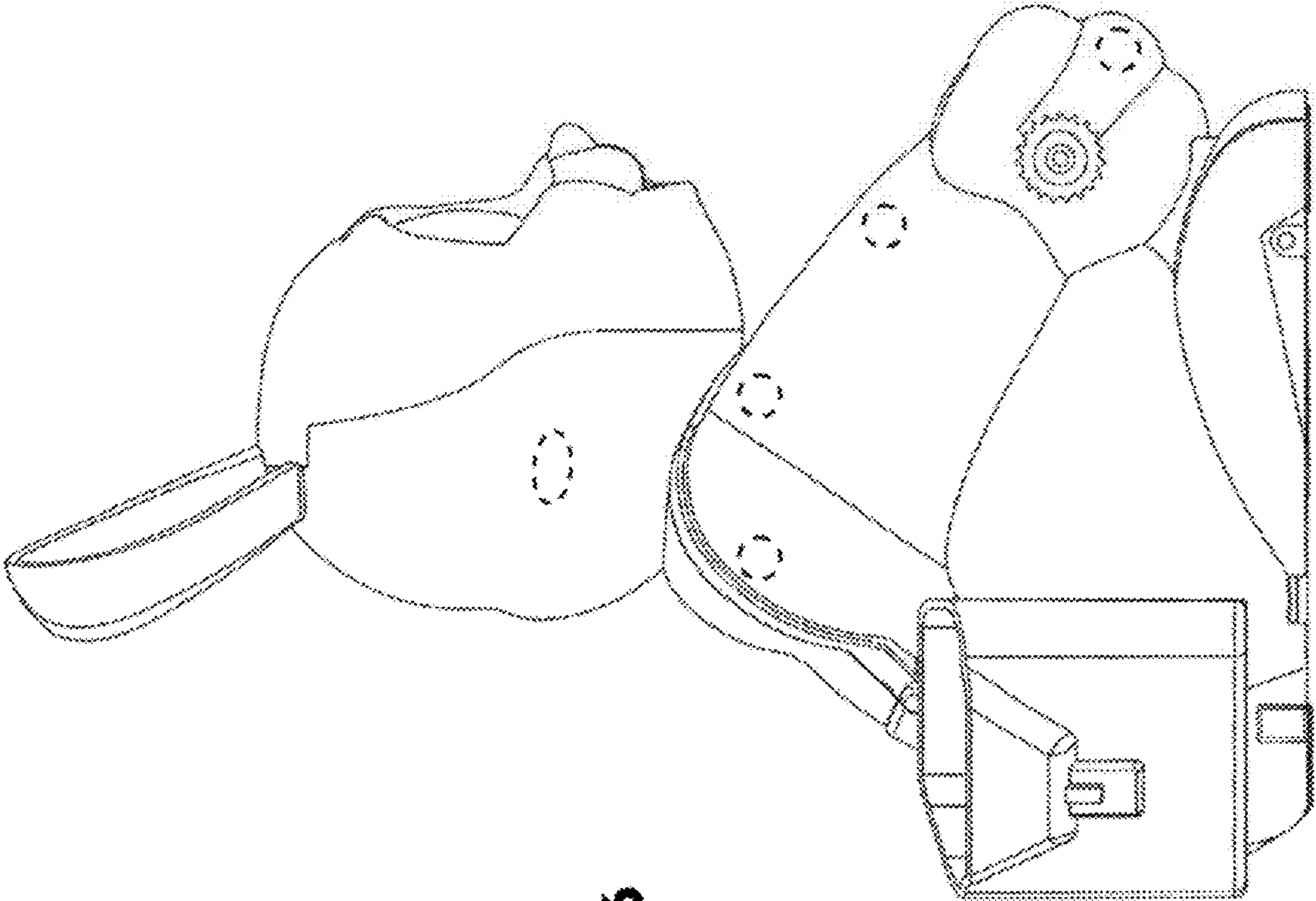


FIG. 6