



US00D928242S

(12) **United States Design Patent** (10) **Patent No.:** **US D928,242 S**
Zhang et al. (45) **Date of Patent:** **** Aug. 17, 2021**

(54) **BUILDING BLOCK TOY SET**
(71) Applicant: **BEIJING XIAOMI MOBILE SOFTWARE CO., LTD.**, Beijing (CN)
(72) Inventors: **Hu Zhang**, Beijing (CN); **Yang Zhang**, Beijing (CN)
(73) Assignee: **BEIJING XIAOMI MOBILE SOFTWARE CO., LTD.**, Beijing (CN)
(**) Term: **15 Years**
(21) Appl. No.: **35/509,463**
(22) Filed: **Apr. 16, 2020**

D338,019 S * 8/1993 Bhambra D15/25
D398,944 S * 9/1998 Park D21/537
D678,425 S * 3/2013 Foster D21/537
D767,690 S * 9/2016 Ewringmann D21/431
D797,206 S * 9/2017 Ewringmann D21/561
D813,317 S * 3/2018 Kirsten D21/491
D813,318 S * 3/2018 Kirsten D21/491
D815,216 S * 4/2018 Kirsten D21/491
D877,264 S * 3/2020 Greenfeld D21/495
D879,211 S * 3/2020 Bloch D21/537
D885,496 S * 5/2020 Xianxin D21/493
D897,451 S * 9/2020 Kirsten D21/491
D900,247 S * 10/2020 Hwang D21/500
D910,778 S * 2/2021 Hwang D21/501

(80) **Hague Agreement Data**
Int. Filing Date: **Apr. 16, 2020**
Int. Reg. No.: **DM/208214**
Int. Reg. Date: **Apr. 16, 2020**
Int. Reg. Pub. Date: **May 29, 2020**

* cited by examiner

Primary Examiner — George D. Kirschbaum
Assistant Examiner — Joseph J Kukella
(74) *Attorney, Agent, or Firm* — Syncoda LLC; Feng Ma

(30) **Foreign Application Priority Data**

Nov. 1, 2019 (CN) 201930600767.1

(51) **LOC (13) Cl.** **21-01**
(52) **U.S. Cl.**
USPC **D21/537**

(58) **Field of Classification Search**
USPC D21/483, 484, 485, 489, 490, 491, 493, D21/494, 500, 501, 502, 537, 576, 577, D21/578, 585, 587, 595, 658–661
CPC A63H 17/002; A63H 17/05; A63H 33/003; A63H 33/04; A63H 33/044; A63H 33/046; A63H 33/048; A63H 33/062; A63H 33/067; A63H 33/08; A63H 33/10; A63H 33/101; A63H 33/103; A63H 33/105–108
See application file for complete search history.

(56) **References Cited**
U.S. PATENT DOCUMENTS

D252,228 S * 6/1979 Asano D21/537
D258,298 S * 2/1981 Gustafsson D21/537

(57) **CLAIM**

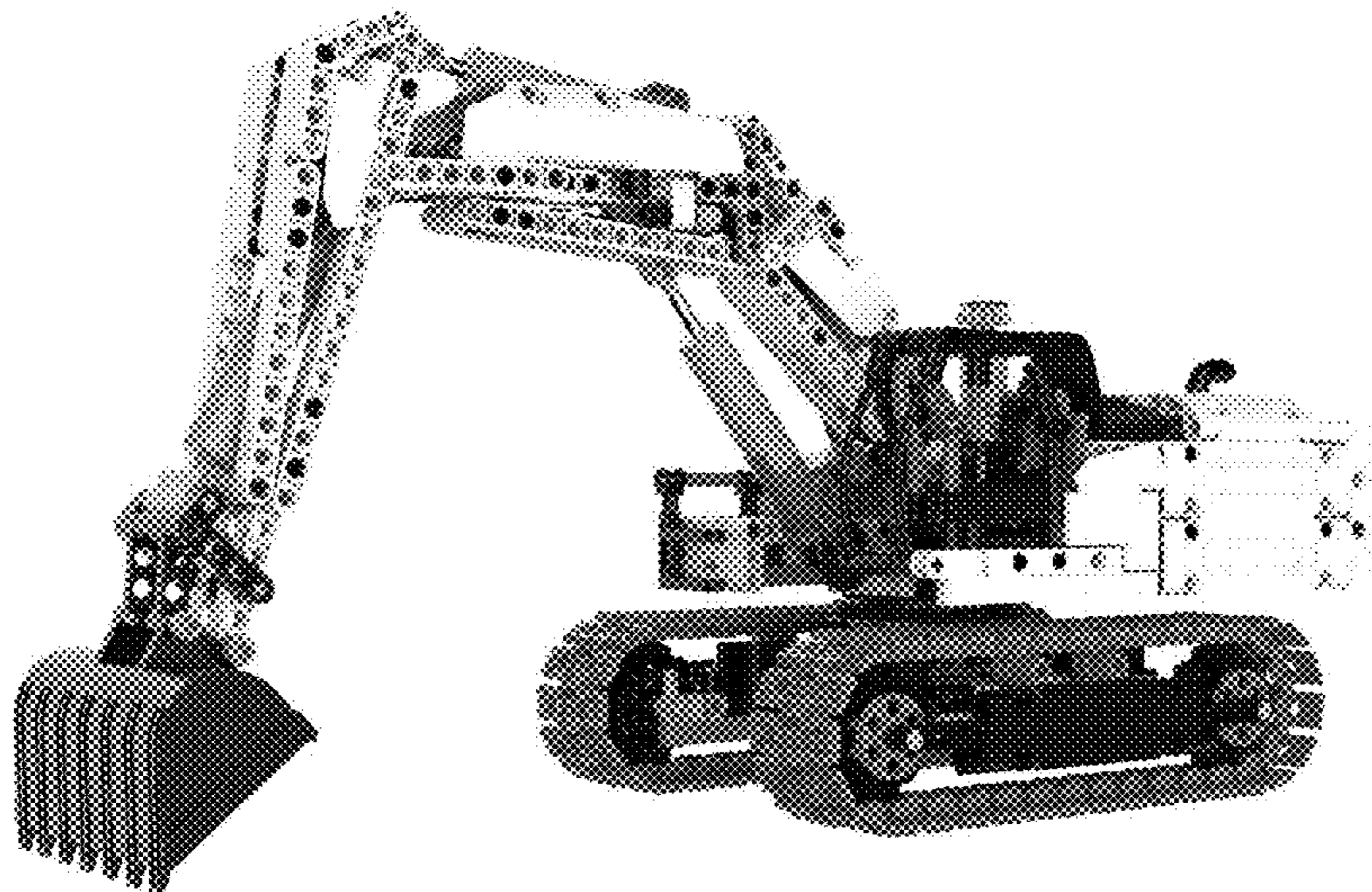
The ornamental design for a building block toy set, as shown and described.

DESCRIPTION

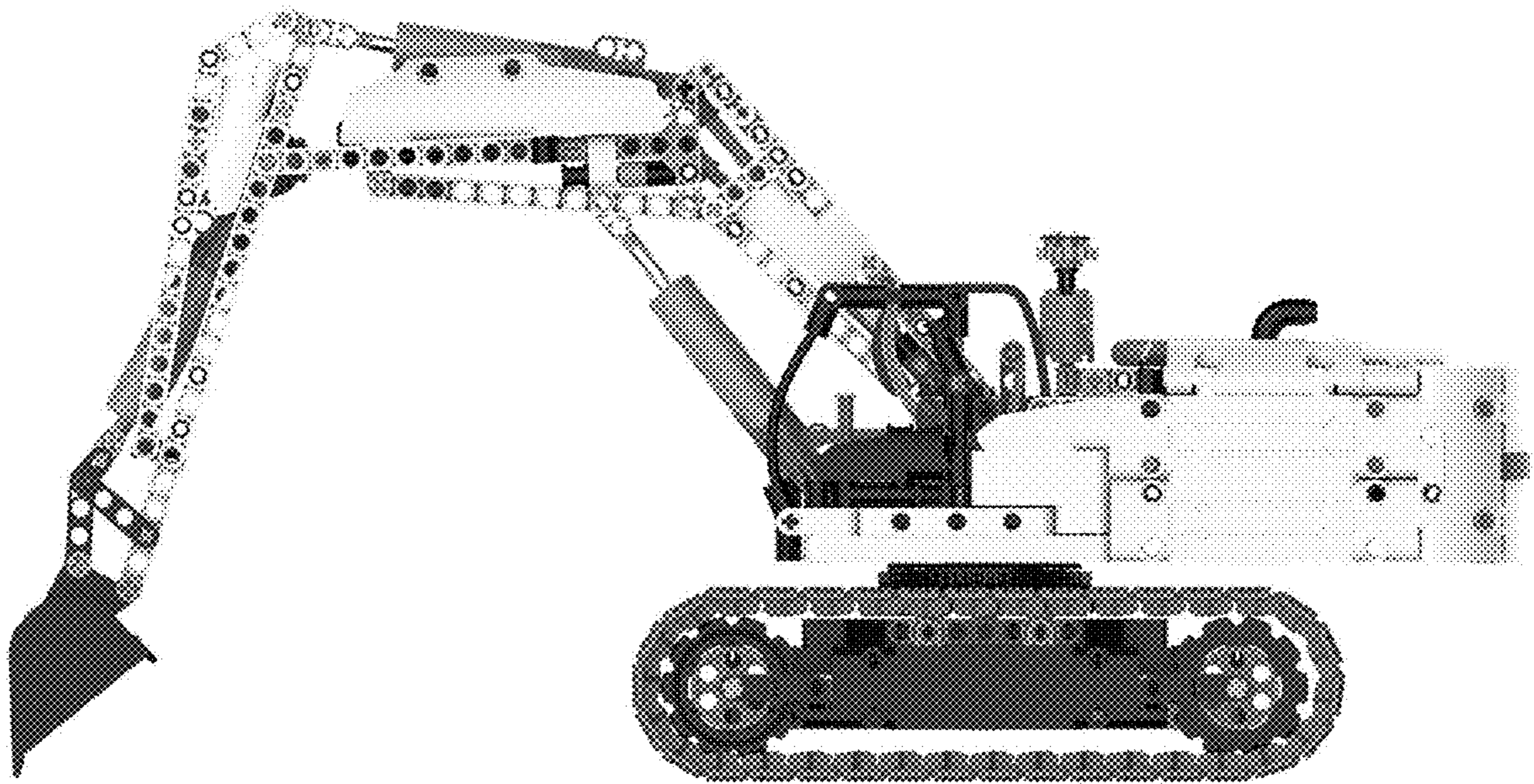
The patent or application file contains at least one drawing executed in color. Copies of this patent or patent application publication with color drawing(s) will be provided by the Office upon request and payment of the necessary fee.

- 1. Building block toy set
- 1.1 : Front
- 1.2 : Back
- 1.3 : Left
- 1.4 : Right
- 1.5 : Top
- 1.6 : Bottom
- 1.7 : Perspective
- 1.8 : Perspective

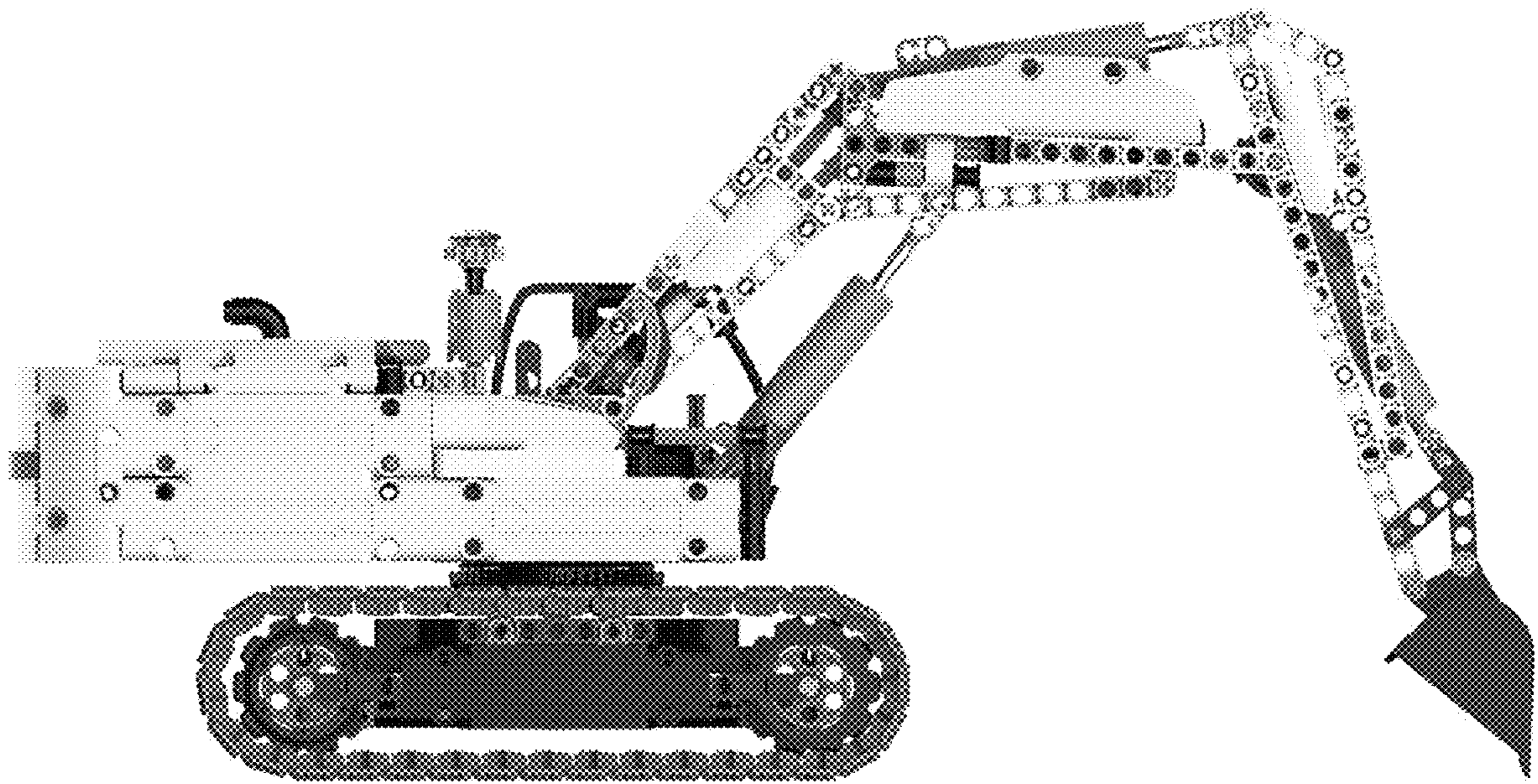
1 Claim, 8 Drawing Sheets
(8 of 8 Drawing Sheet(s) Filed in Color)



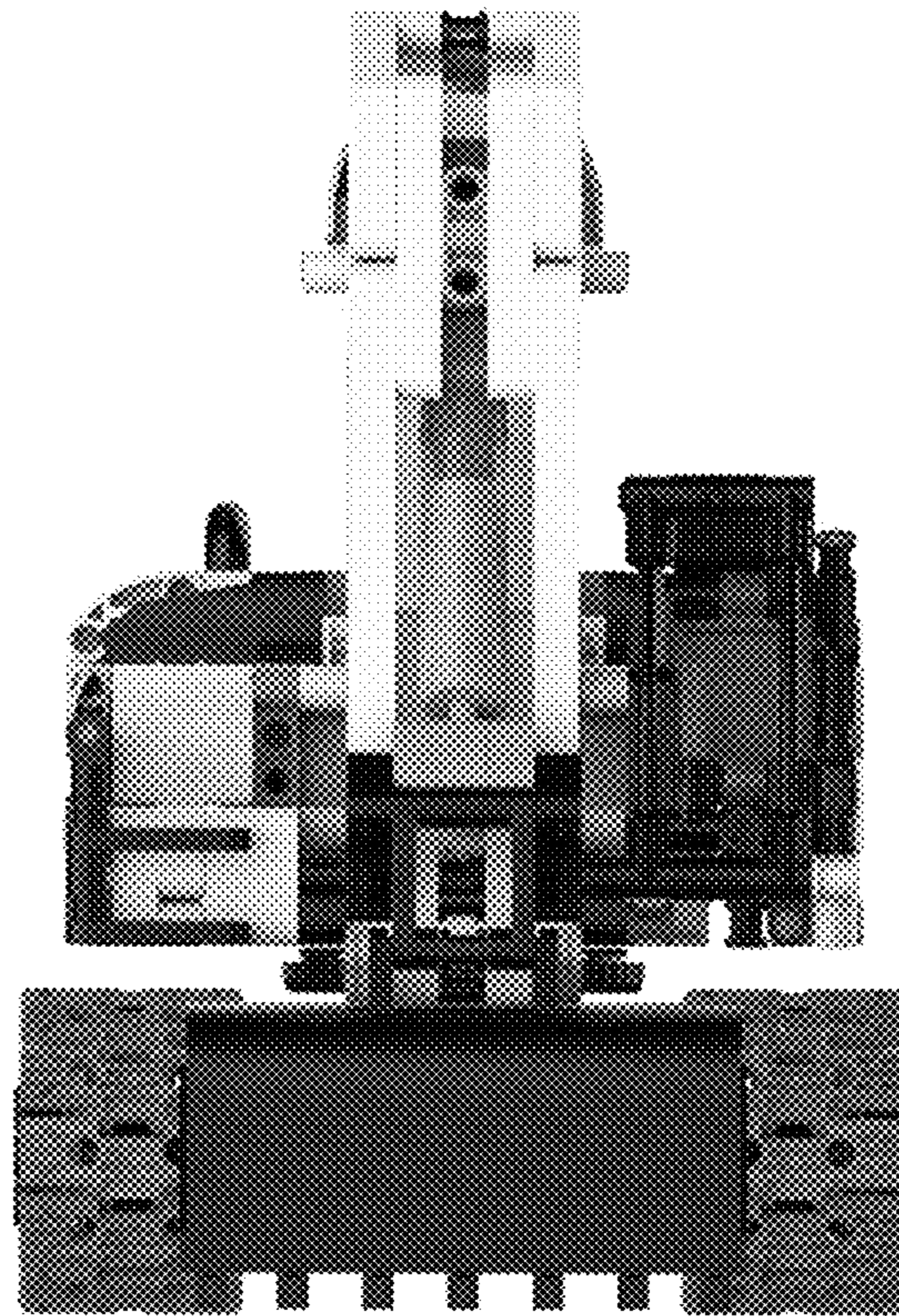
1.1



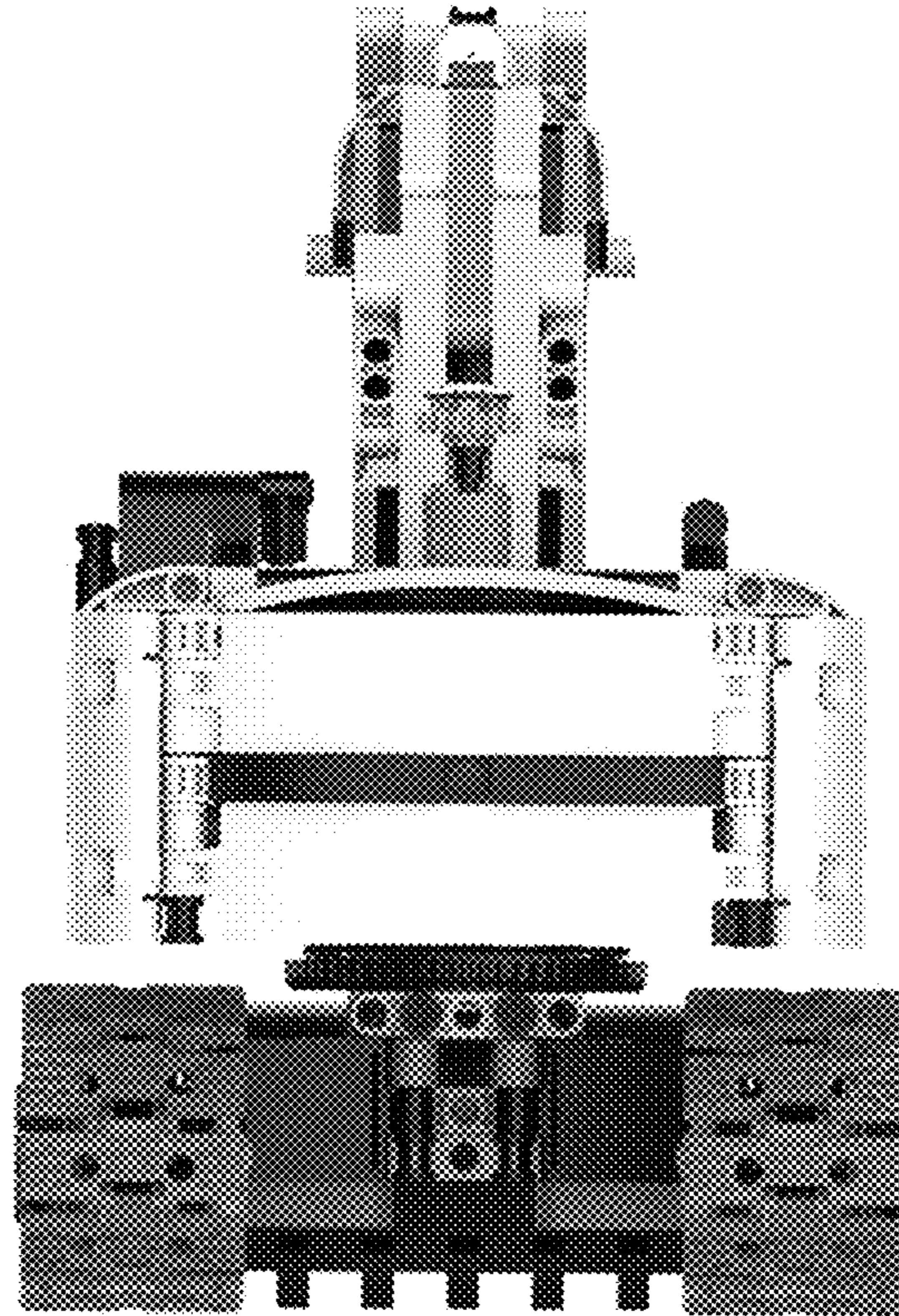
1.2



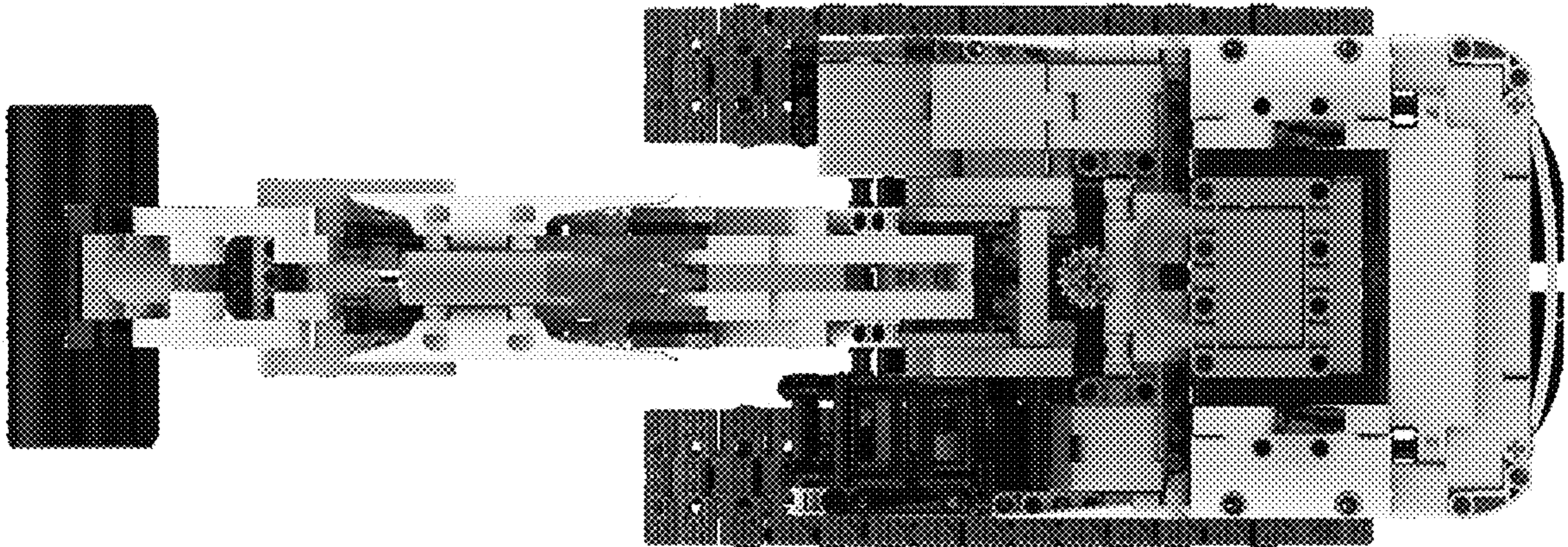
1.3



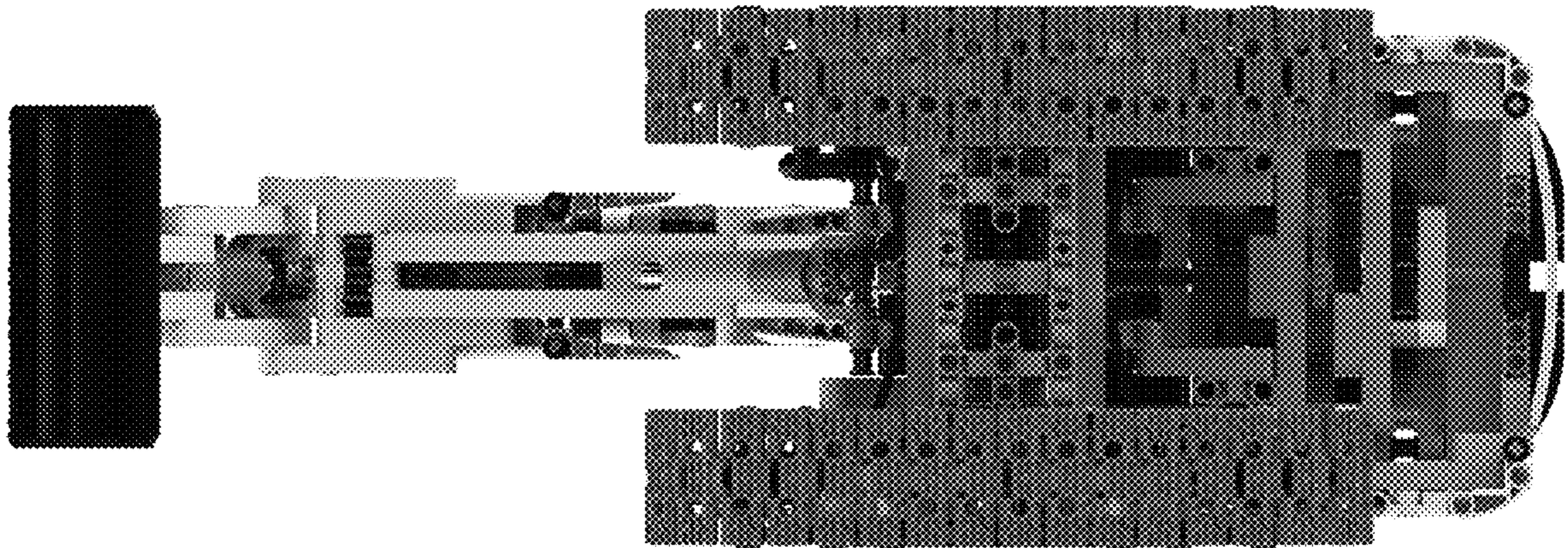
1.4



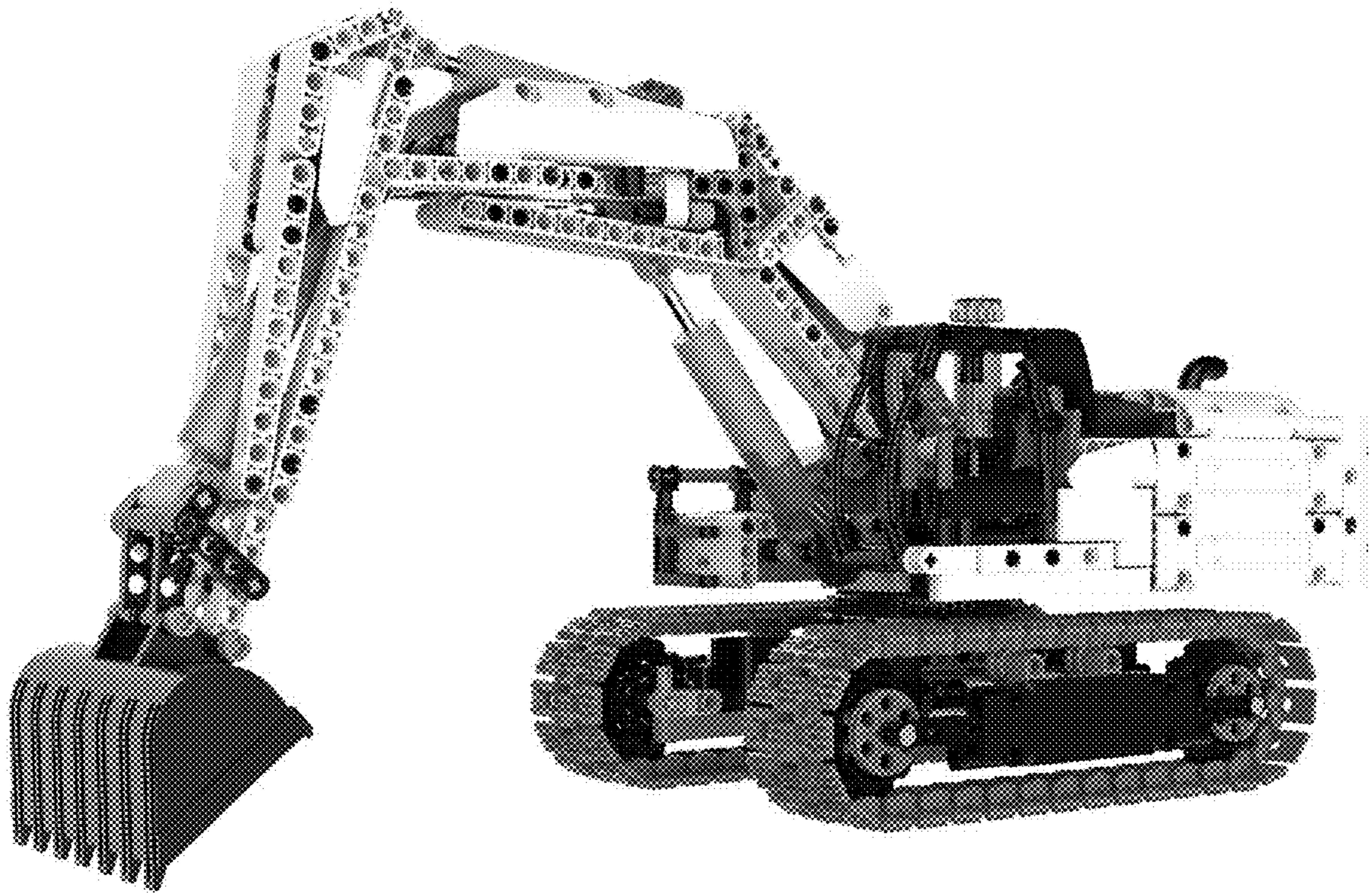
1.5



1.6



1.7



1.8

