



US00D928239S

(12) **United States Design Patent**
Wang

(10) **Patent No.:** **US D928,239 S**
(45) **Date of Patent:** **** Aug. 17, 2021**

(54) **TOY BRICK SET**

DESCRIPTION

(71) Applicant: **Laltitude LLC**, Hacienda Heights, CA (US)

(72) Inventor: **Howard Wang**, Hacienda Heights, CA (US)

(**) Term: **15 Years**

(21) Appl. No.: **29/767,933**

(22) Filed: **Jan. 26, 2021**

(51) **LOC (13) Cl.** **21-01**

(52) **U.S. Cl.**
USPC **D21/489**

(58) **Field of Classification Search**
USPC D21/404, 484, 485, 489, 490, 491, 493,
D21/494, 495, 500, 501, 503, 504, 505
(Continued)

(56) **References Cited**

U.S. PATENT DOCUMENTS

5,021,021 A * 6/1991 Ballard A63H 33/046
335/285

D600,291 S 9/2009 Christensen
(Continued)

OTHER PUBLICATIONS

Desire Deluxe Magnetic Tiles Blocks Building Set for Kids on Amazon.com, Reviewed and available online as early as Mar. 23, 2019 [online], [site visited Mar. 25, 2021]. Available from Internet: <URL:https://www.amazon.com/Desire-Deluxe-Magnetic-Blocks-Building/dp/B07MGYKZ36/> (Year: 2019).*

(Continued)

Primary Examiner — Cynthia M. Chin

(74) *Attorney, Agent, or Firm* — Clement Cheng

(57) **CLAIM**

The ornamental design for a toy brick set, as shown and described.

FIG. 1 is a perspective front view of a small triangle toy piece.

FIG. 2 is a perspective back view of a small triangle toy piece.

FIG. 3 is a front view of a small triangle toy piece.

FIG. 4 is a left side view of a small triangle toy piece.

FIG. 5 is a right side view of a small triangle toy piece.

FIG. 6 is a top view of a small triangle toy piece.

FIG. 7 is a bottom view of a small triangle toy piece.

FIG. 8 is a back view of a small triangle toy piece.

FIG. 9 is a front view showing optional internal configuration in a dotted line view of a small triangle toy piece.

FIG. 10 is a perspective front view of a straight triangle toy piece.

FIG. 11 is a front view of a straight triangle toy piece.

FIG. 12 is a left side view of a straight triangle toy piece.

FIG. 13 is a right side view of a straight triangle toy piece.

FIG. 14 is a top view of a straight triangle toy piece.

FIG. 15 is a bottom view of a straight triangle toy piece.

FIG. 16 is a back view of a straight triangle toy piece.

FIG. 17 is a perspective front view of a tall triangle toy piece.

FIG. 18 is a perspective back view of a tall triangle toy piece.

FIG. 19 is a front view of a tall triangle toy piece.

FIG. 20 is a left side view of a tall triangle toy piece.

FIG. 21 is a right side view of a tall triangle toy piece.

FIG. 22 is a top view of a tall triangle toy piece.

FIG. 23 is a bottom view of a tall triangle toy piece.

FIG. 24 is a back view of a tall triangle toy piece.

FIG. 25 is a perspective front view of a small square toy piece.

FIG. 26 is a perspective back view of a small square toy piece.

FIG. 27 is a front view of a small square toy piece.

FIG. 28 is a left side view of a small square toy piece.

FIG. 29 is a right side view of a small square toy piece.

FIG. 30 is a top view of a small square toy piece.

FIG. 31 is a bottom view of a small square toy piece.

FIG. 32 is a back view of a small square toy piece.

FIG. 33 is a perspective front view of a half square toy piece.

FIG. 34 is a perspective back view of a half square toy piece.

(Continued)

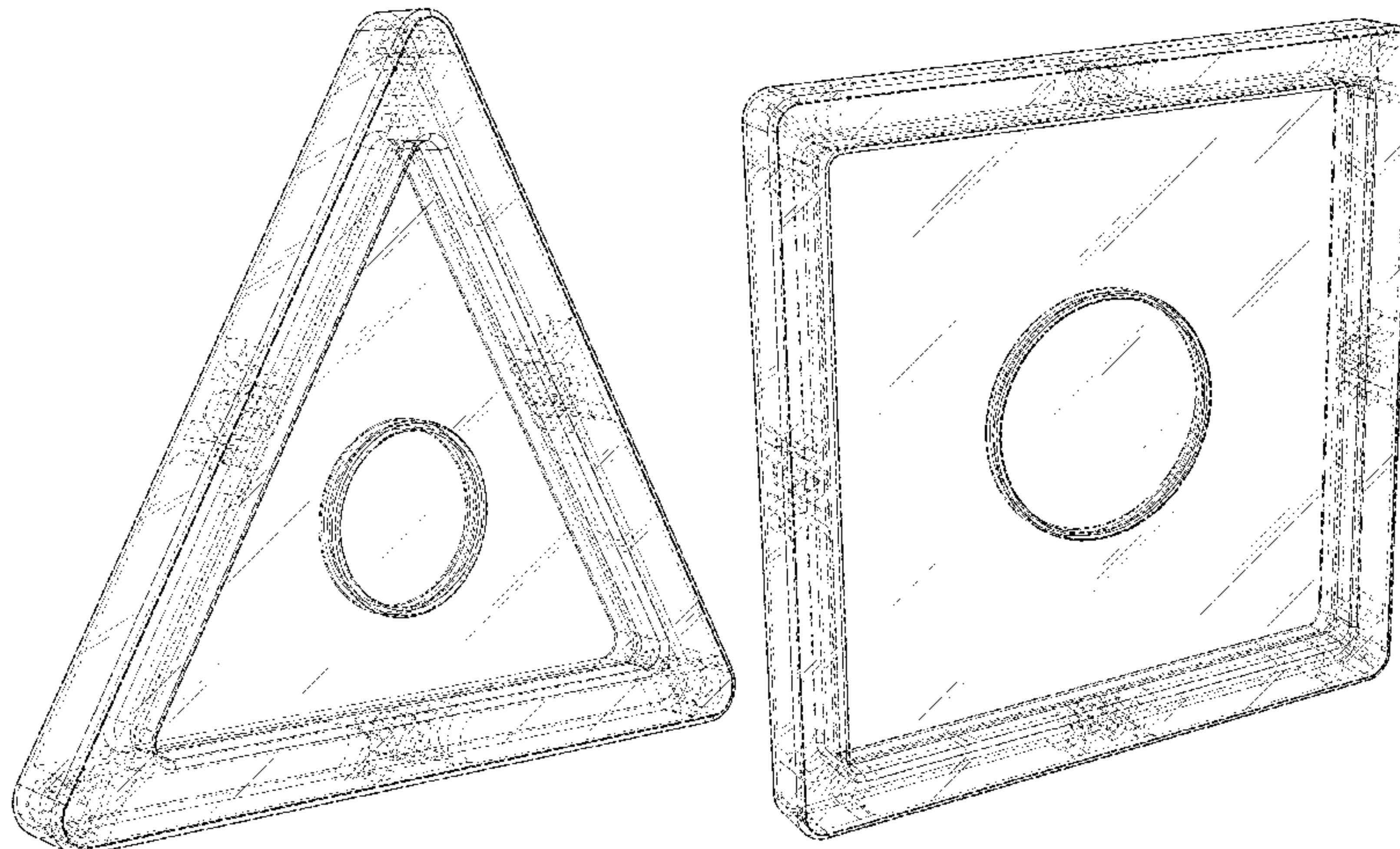


FIG. 35 is a front view of a half square toy piece.
 FIG. 36 is a left side view of a half square toy piece.
 FIG. 37 is a right side view of a half square toy piece.
 FIG. 38 is a top view of a half square toy piece.
 FIG. 39 is a bottom view of a half square toy piece.
 FIG. 40 is a back view of a half square toy piece.
 FIG. 41 is a perspective front view of a large square toy piece.
 FIG. 42 is a perspective back view of a large square toy piece.
 FIG. 43 is a front view of a large square toy piece.
 FIG. 44 is a left side view of a large square toy piece.
 FIG. 45 is a right side view of a large square toy piece.
 FIG. 46 is a top view of a large square toy piece.
 FIG. 47 is a bottom view of a large square toy piece.
 FIG. 48 is a back view of a large square toy piece.
 FIG. 49 is a perspective front view of a right angle triangle toy piece.
 FIG. 50 is a perspective back view of a right angle triangle toy piece.
 FIG. 51 is a front view of a right angle triangle toy piece.
 FIG. 52 is a left side view of a right angle triangle toy piece.
 FIG. 53 is a right side view of a right angle triangle toy piece.
 FIG. 54 is a top view of a right angle triangle toy piece.
 FIG. 55 is a bottom view of a right angle triangle toy piece; and,
 FIG. 56 is a back view of a right angle triangle toy piece.
 The broken lines are for the purpose of illustrating internal structure within the transparent exterior that form no part of the claimed design.

1 Claim, 56 Drawing Sheets

(58) **Field of Classification Search**
 CPC A63H 33/00; A63H 33/04; A63H 33/046;
 A63H 33/06; A63H 33/08; A63H 33/10;
 A63H 33/12; A63H 33/14; A63H 33/26
 See application file for complete search history.

(56)

References Cited

U.S. PATENT DOCUMENTS

D624,605	S	9/2010	Kichjo	
D676,496	S	2/2013	Mimlitch, III	
D713,816	S	9/2014	Schwartz	
D713,891	S *	9/2014	Schwartz	D21/342
D716,879	S	11/2014	Norman	
D771,752	S *	11/2016	Henkin	D21/404
D775,694	S	1/2017	Kaplan	
D784,938	S *	4/2017	Wang	D13/183
D789,312	S *	6/2017	Wang	D13/183
D809,071	S	1/2018	Liu	
D813,955	S *	3/2018	Henkin	D21/404
D823,946	S *	7/2018	Henkin	D21/404
D827,721	S *	9/2018	Whang	D21/404
D829,825	S *	10/2018	Henkin	D21/404
10,258,896	B2 *	4/2019	Ornstein	A63H 33/046
D893,635	S *	8/2020	Henkin	D21/404
D894,289	S *	8/2020	Henkin	D21/404
D900,246	S *	10/2020	Kelley	D21/491
D908,812	S *	1/2021	Kogure	D21/491
2007/0060010	A1 *	3/2007	Richdale	A63H 33/086 446/85
2015/0072587	A1 *	3/2015	Ornstein	A63H 33/046 446/92
2015/0231521	A1 *	8/2015	Peterson	A63H 33/046 446/92
2016/0184727	A1 *	6/2016	Ornstein	A63H 33/046 446/92
2020/0246715	A1 *	8/2020	Bensussan	G09B 1/38
2020/0353375	A1 *	11/2020	Kogure	A63H 33/10

OTHER PUBLICATIONS

BMAG 120 PCS Magnetic Building Blocks on Amazon.com, Reviewed and available online as early as Jun. 12, 2019 [online], [site visited Mar. 25, 2021]. Available from Internet: <URL:https://www.amazon.com/BMAG-Magnetic-Preschool-Construction-Educational/dp/B07QNKP2X4/> (Year: 2019).*

* cited by examiner

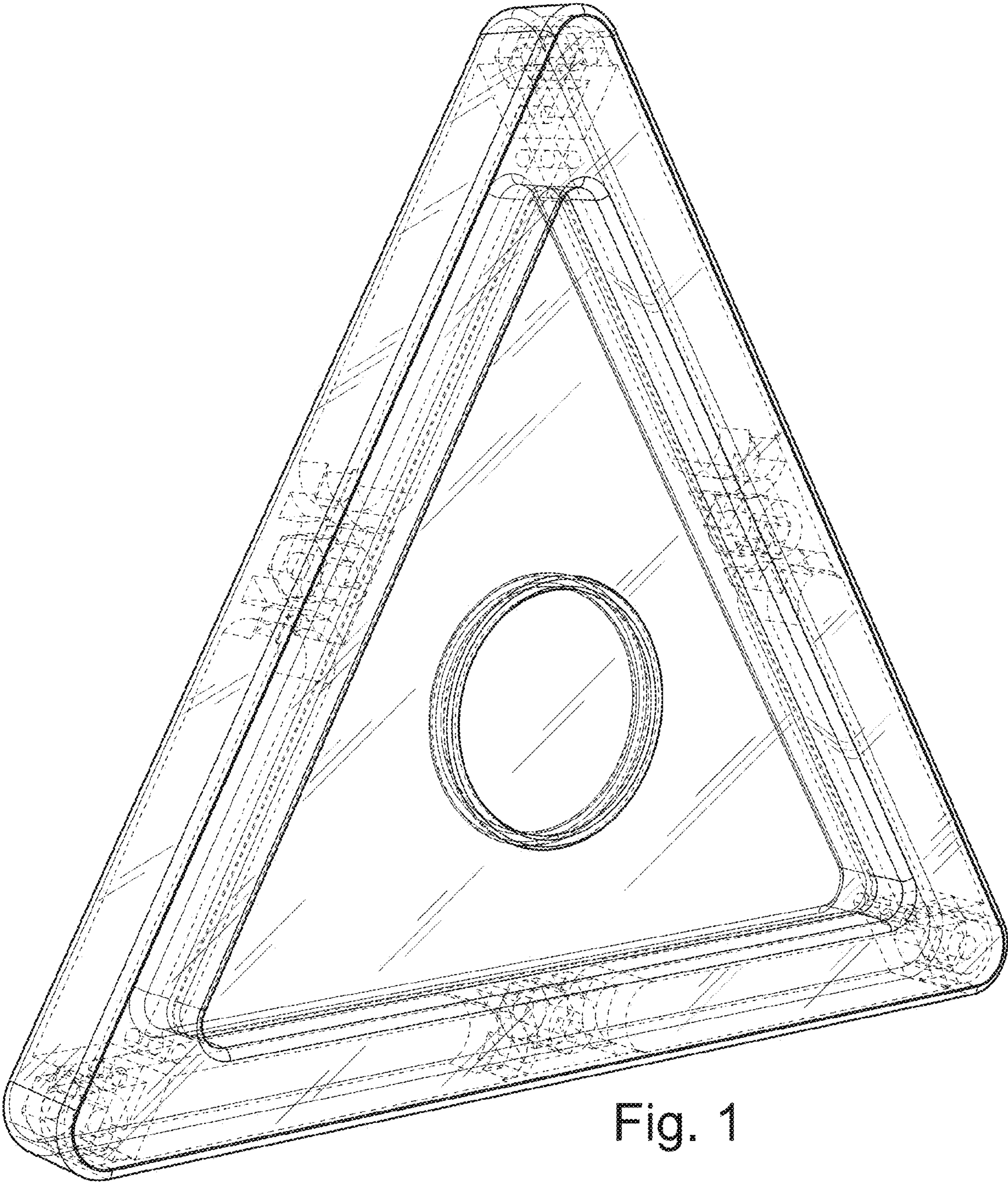


Fig. 1

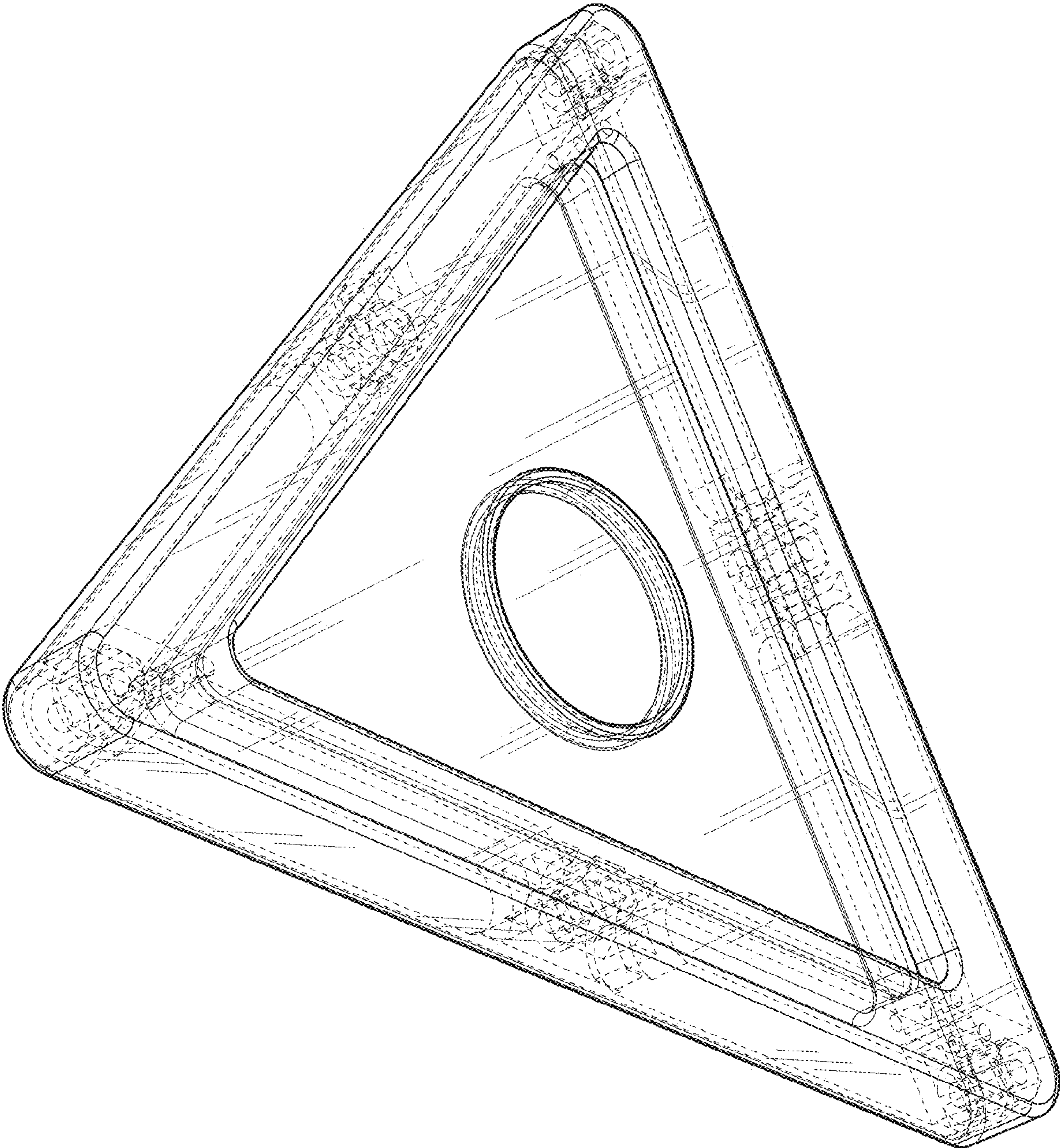


Fig. 2

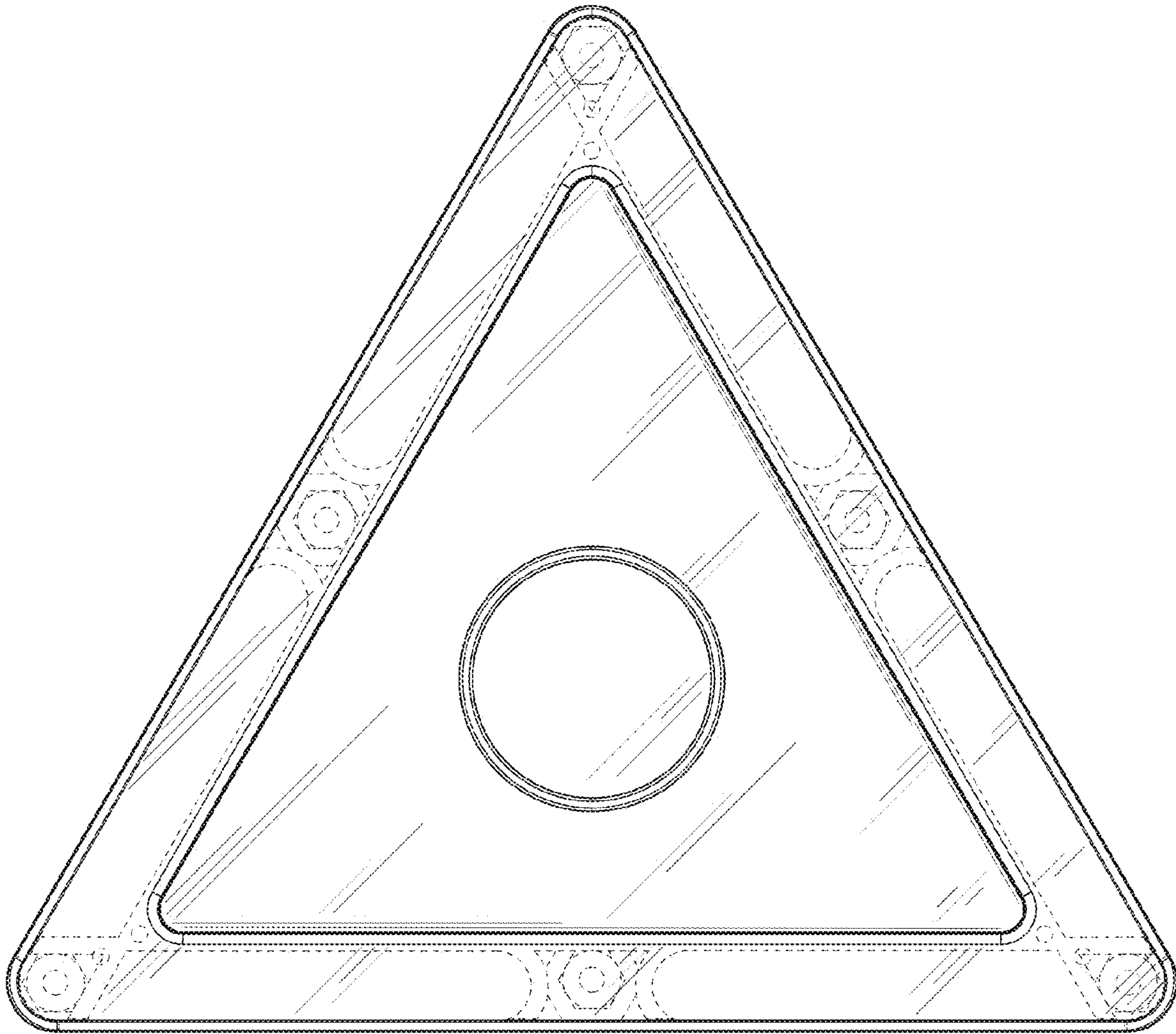


Fig. 3

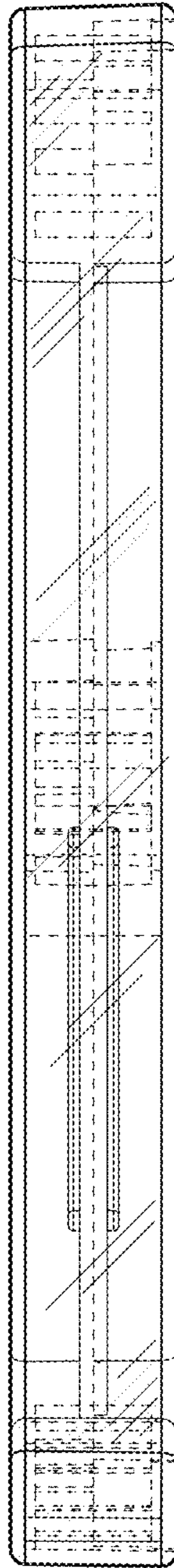


Fig. 4

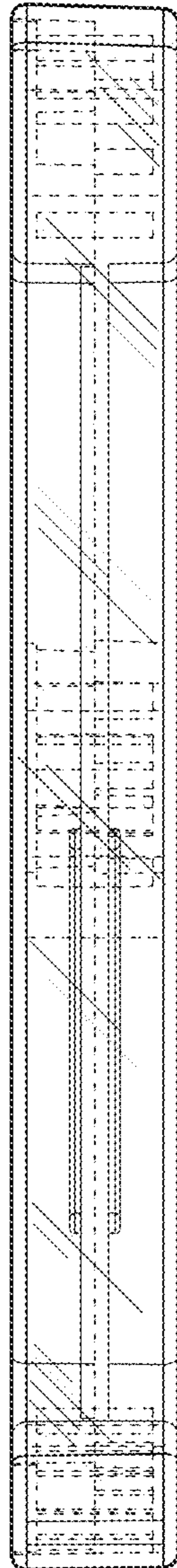


Fig. 5

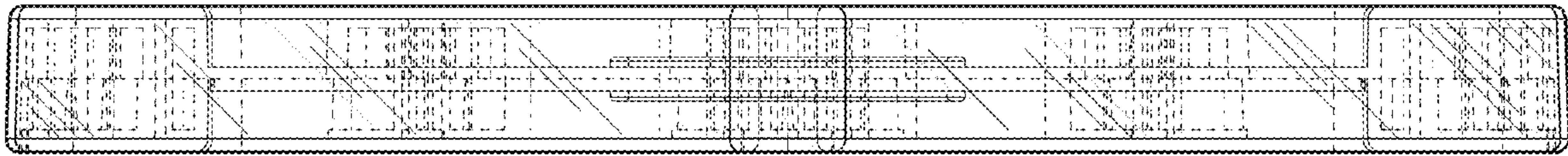


Fig. 6

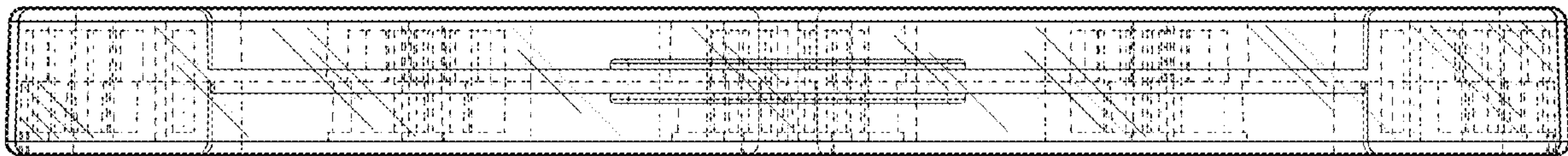


Fig. 7

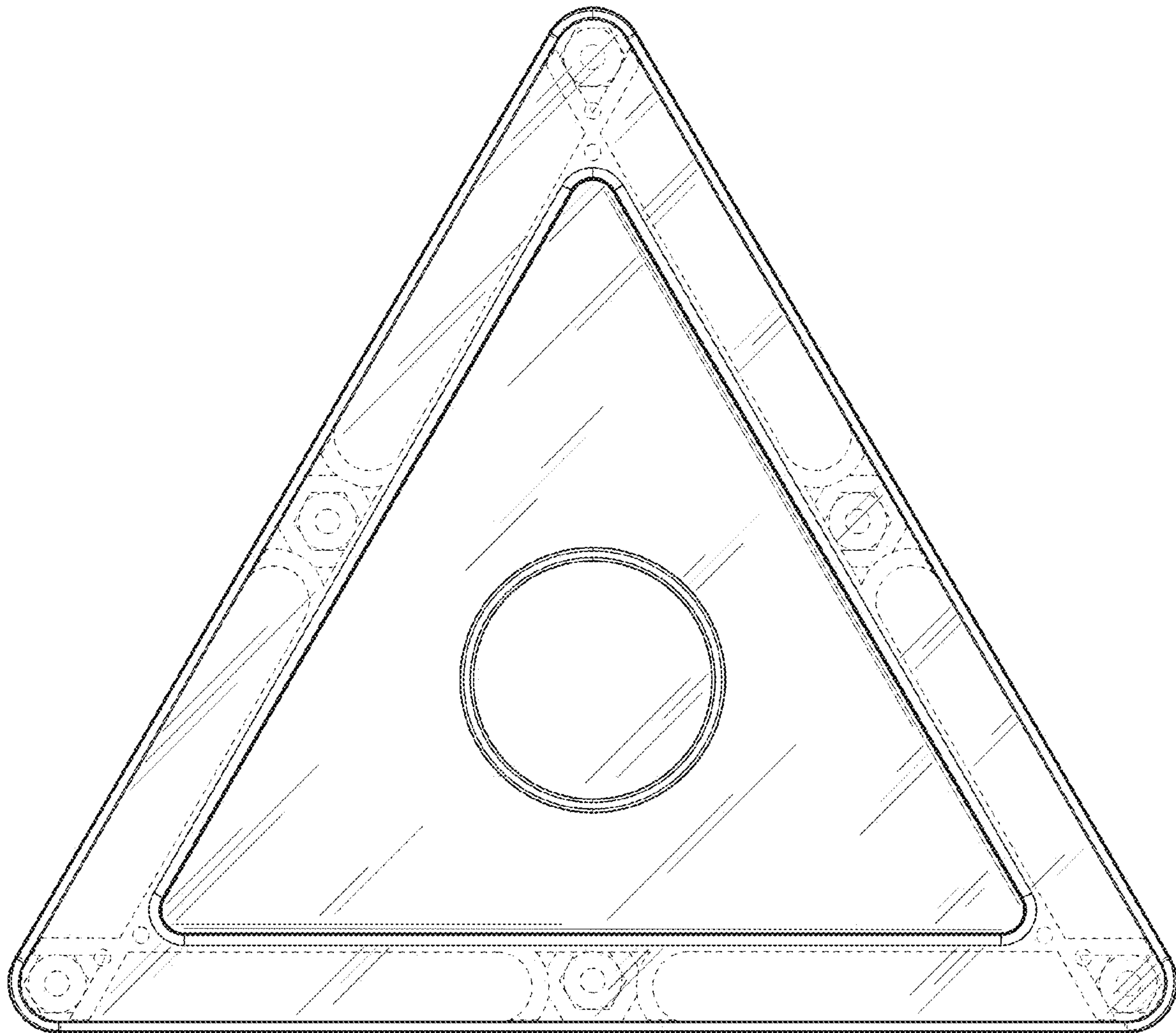


Fig. 8

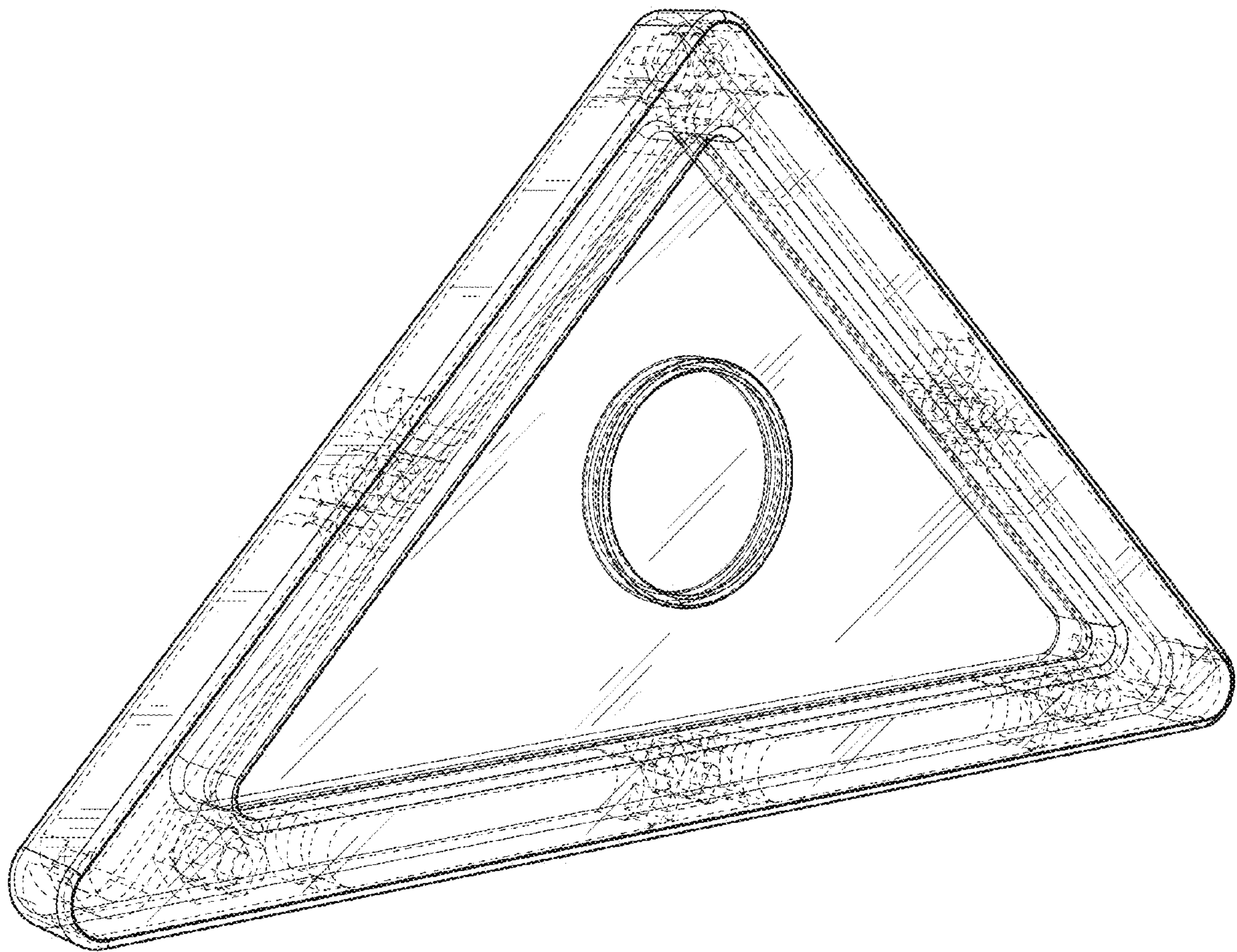


Fig. 9

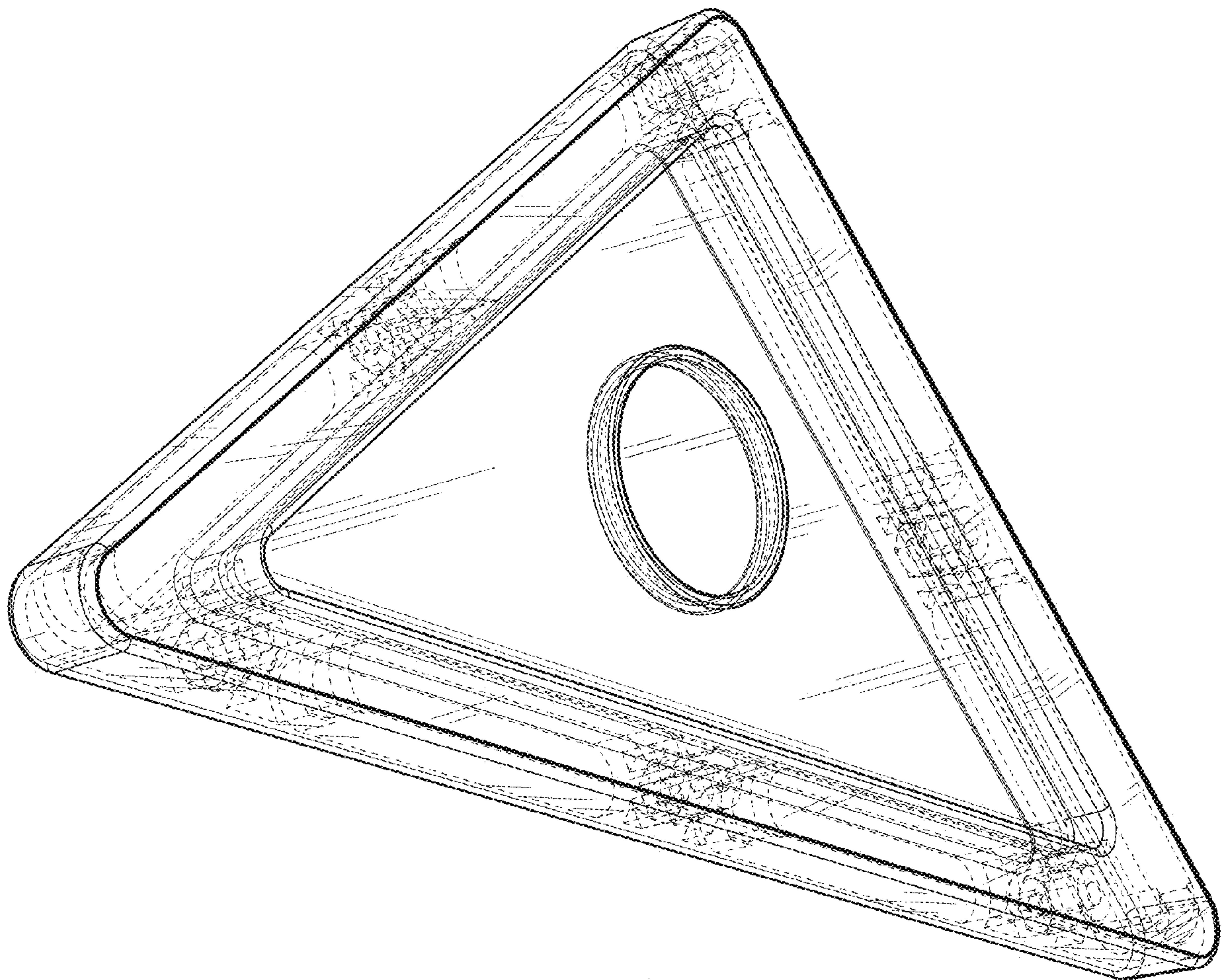


Fig. 10

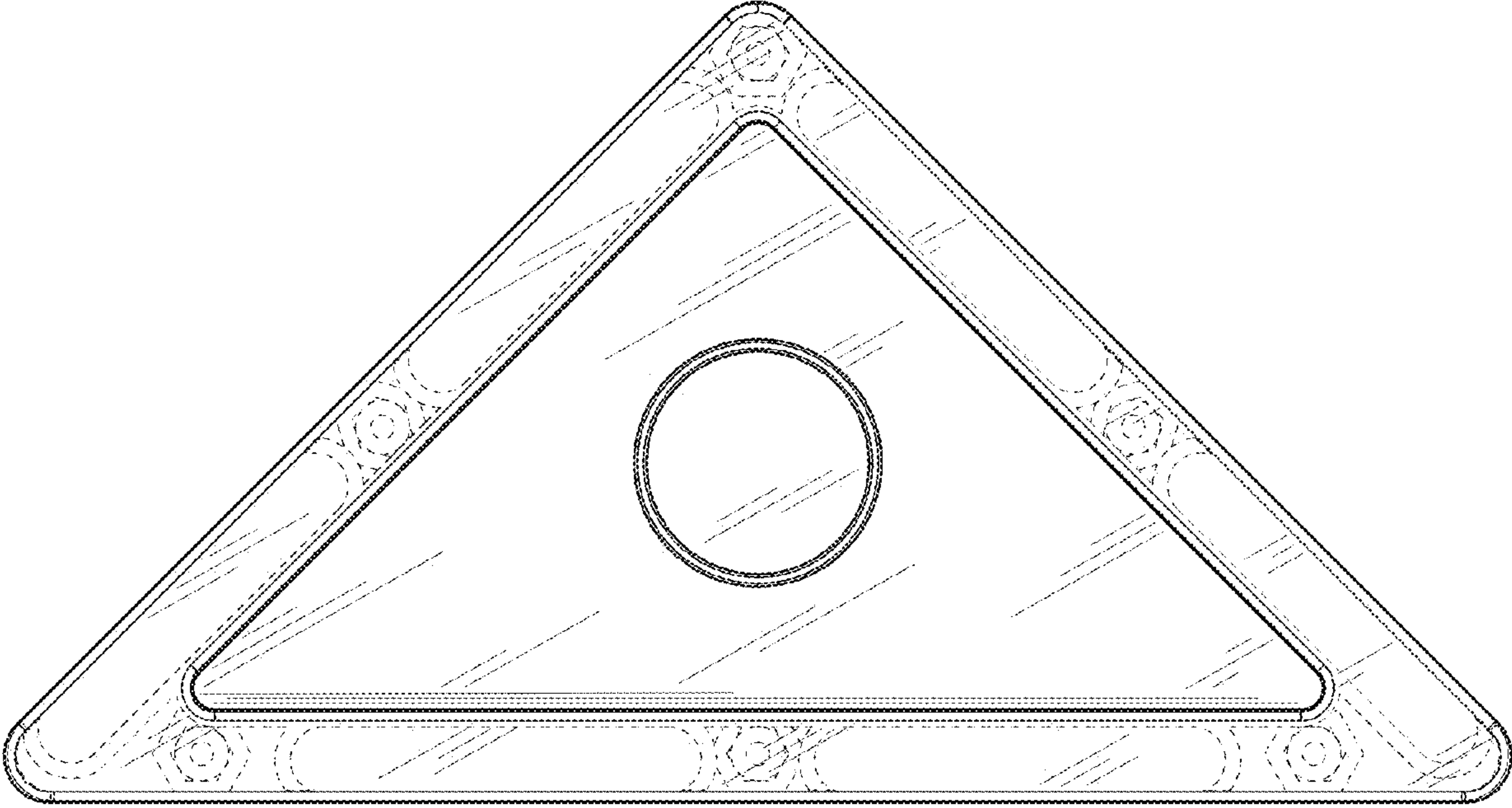


Fig. 11

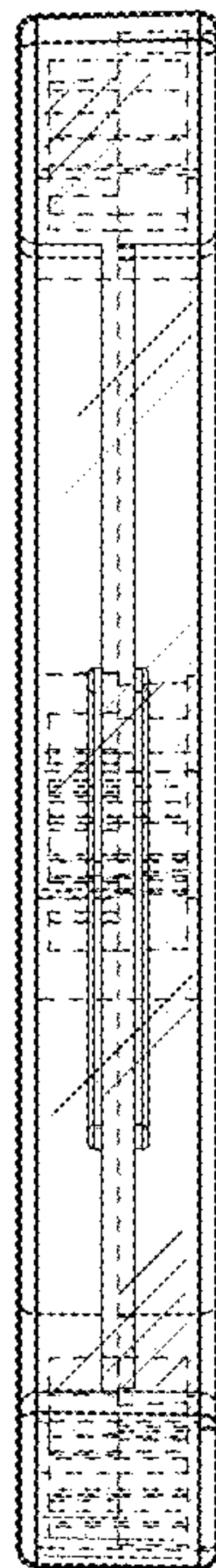


Fig. 12

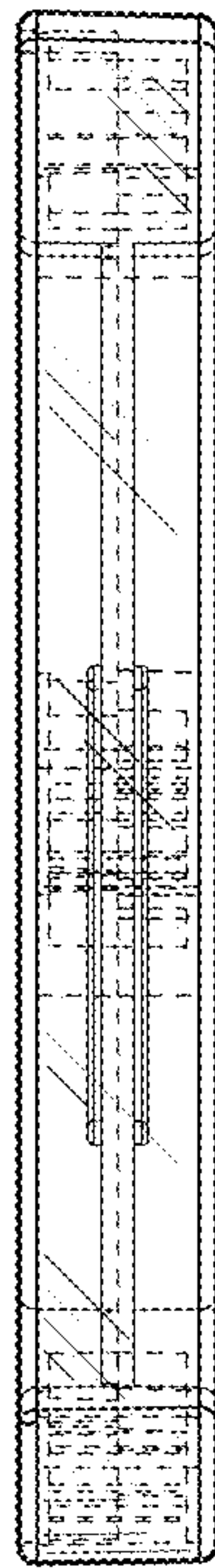


Fig. 13

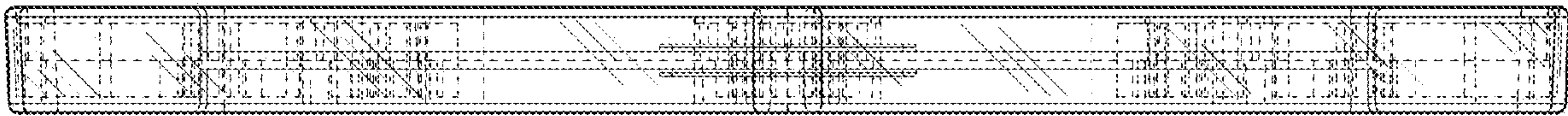


Fig. 14

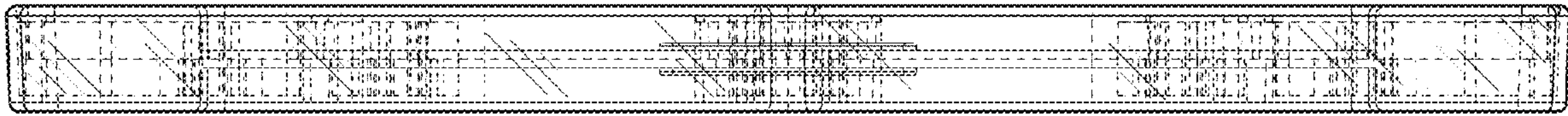


Fig. 15

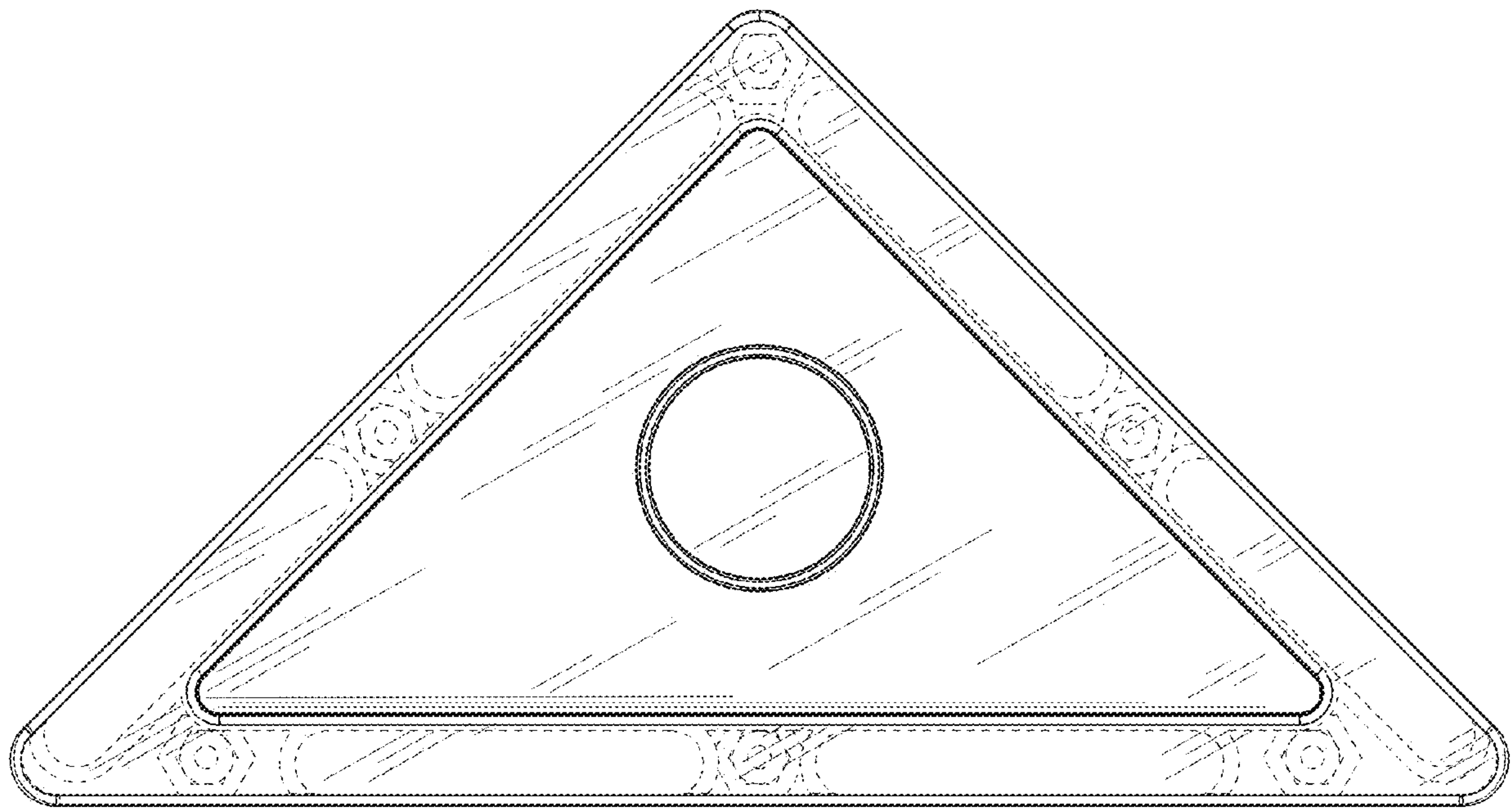


Fig. 16

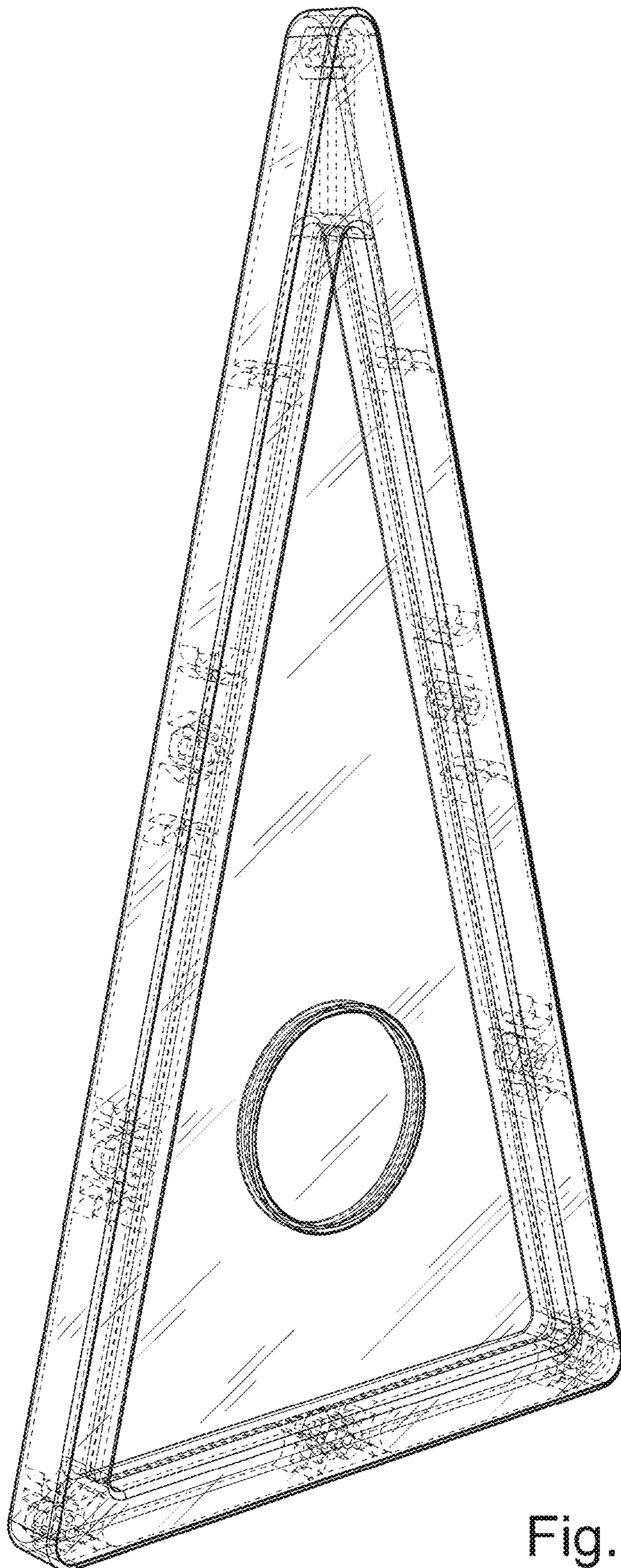


Fig. 17

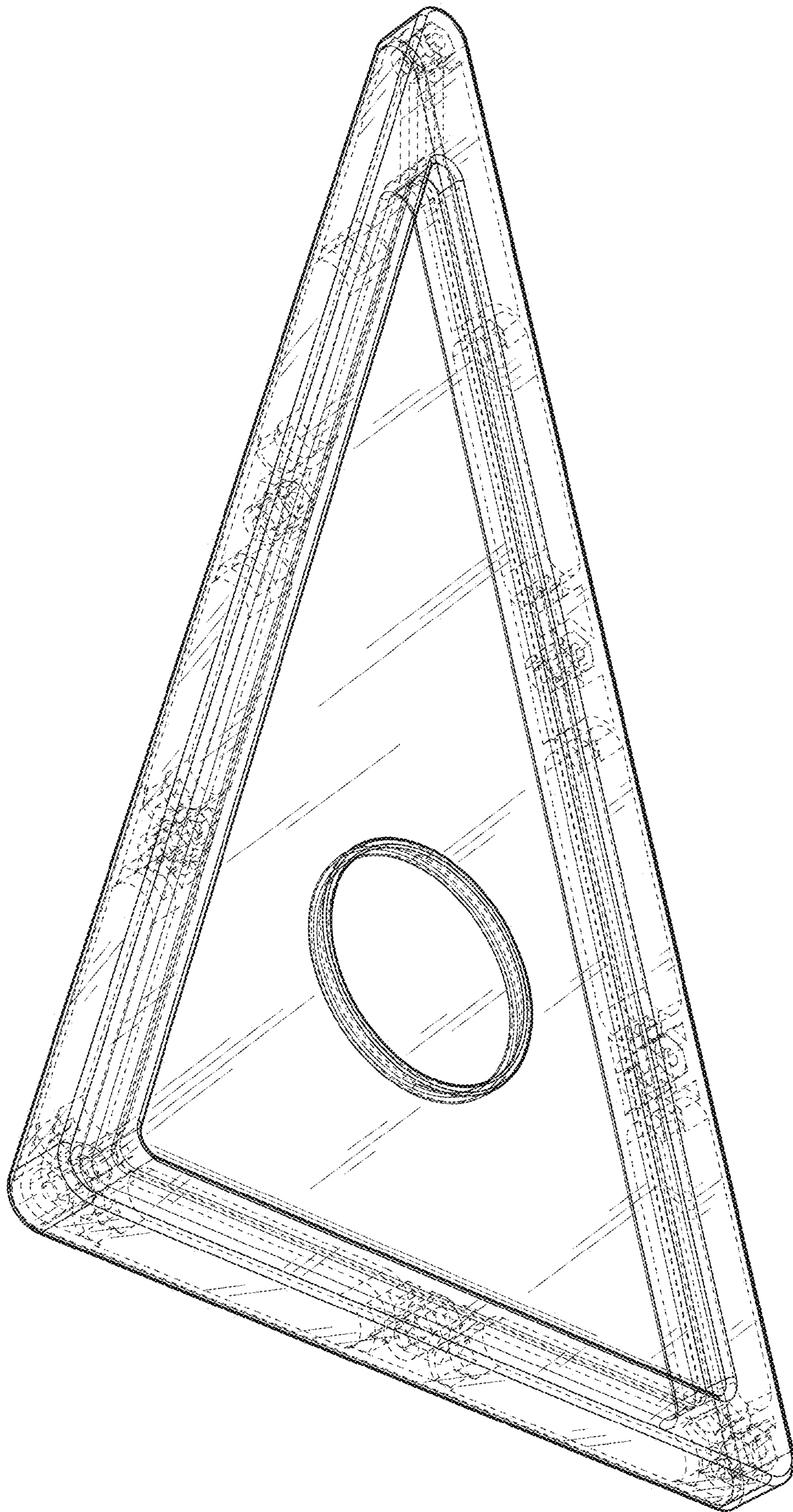


Fig. 18

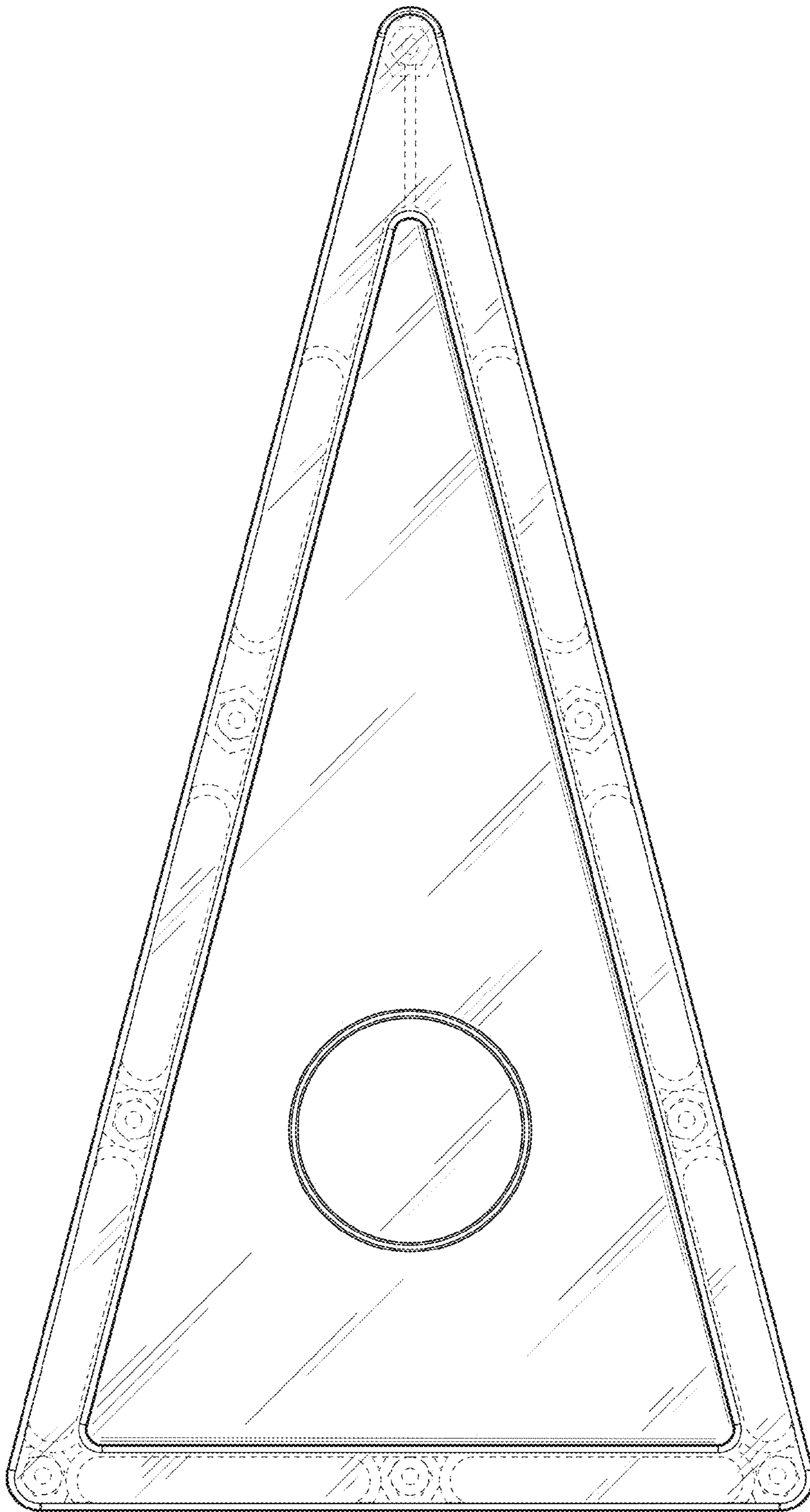


Fig. 19

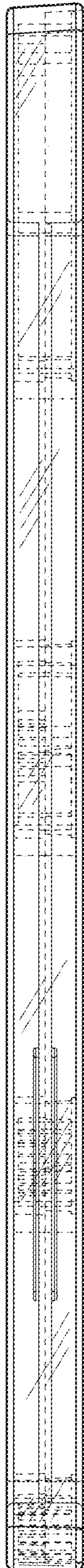


Fig. 20

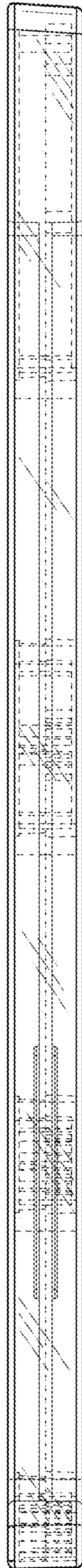


Fig. 21

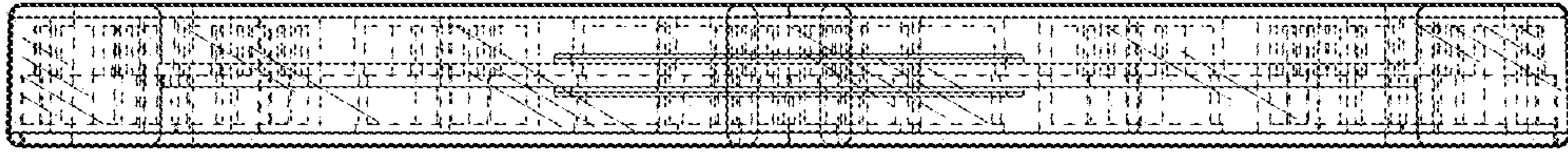


Fig. 22

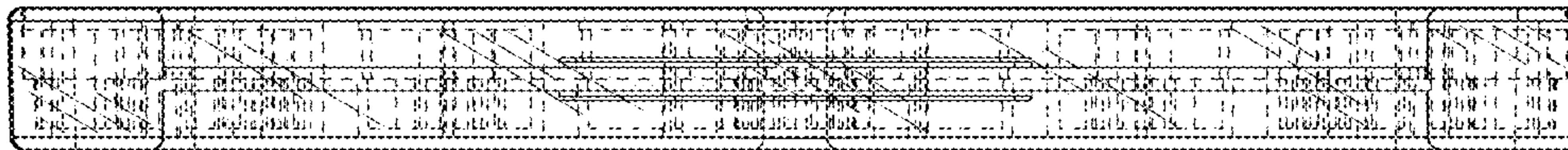


Fig. 23

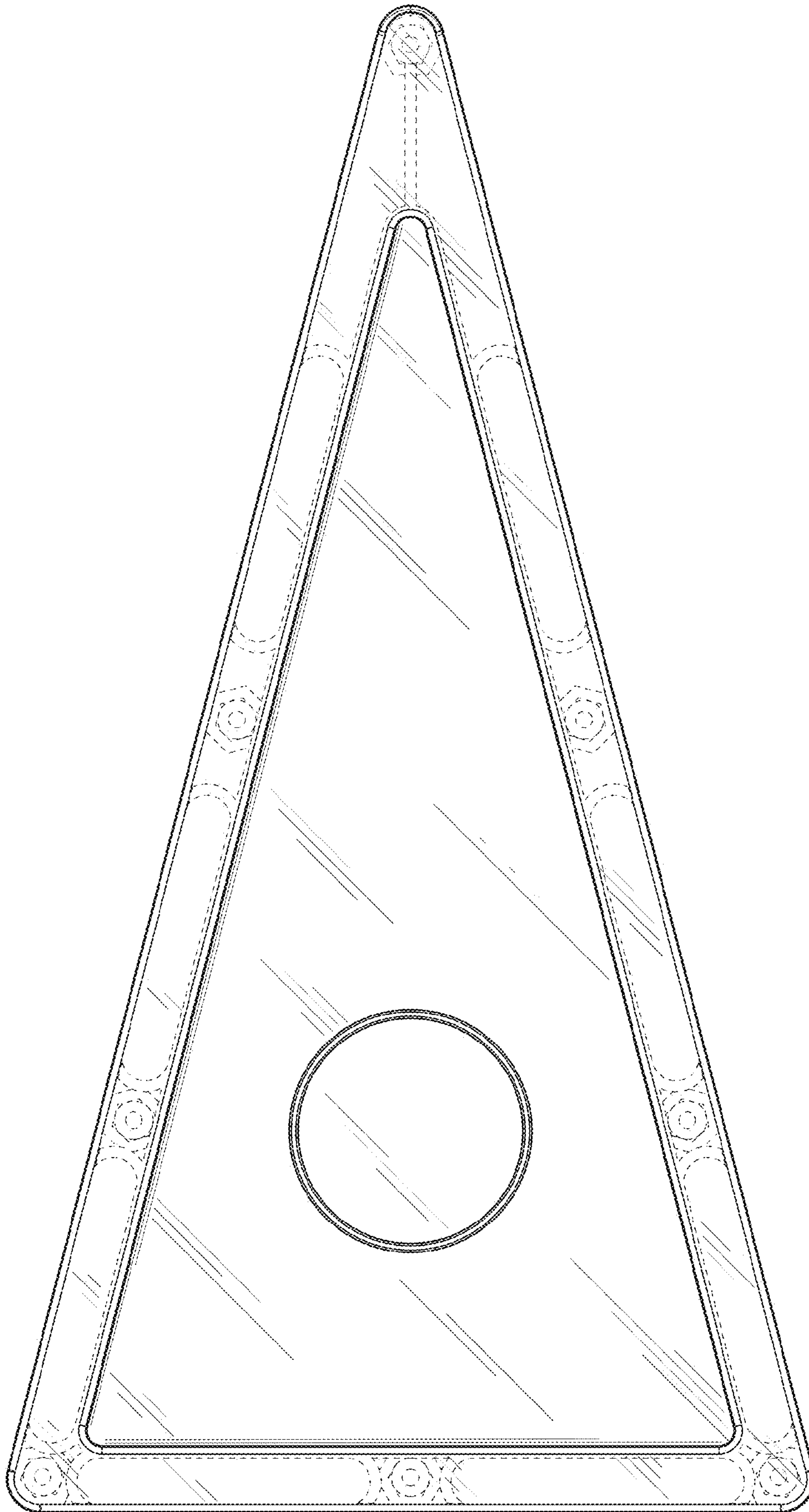


Fig. 24

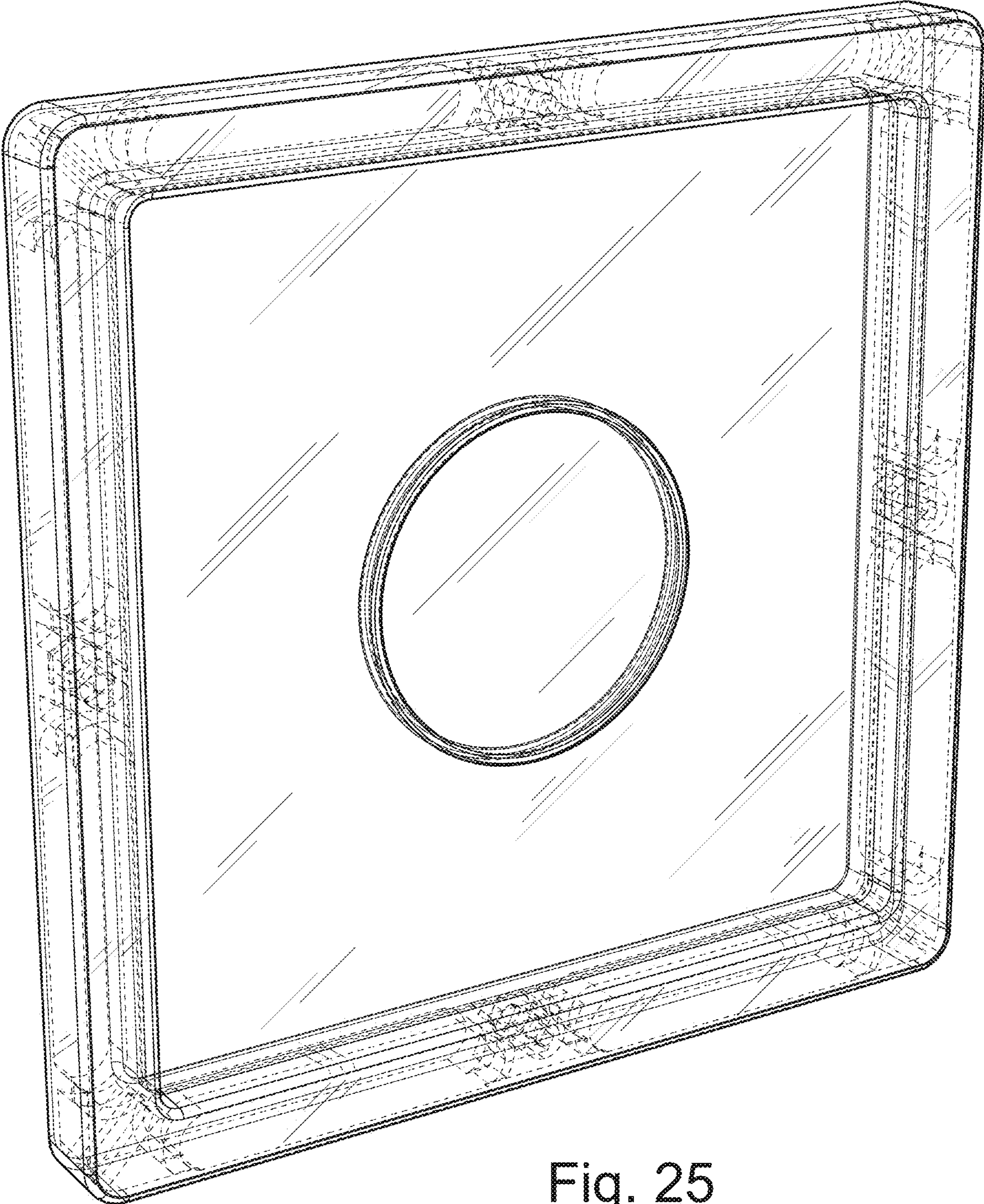


Fig. 25

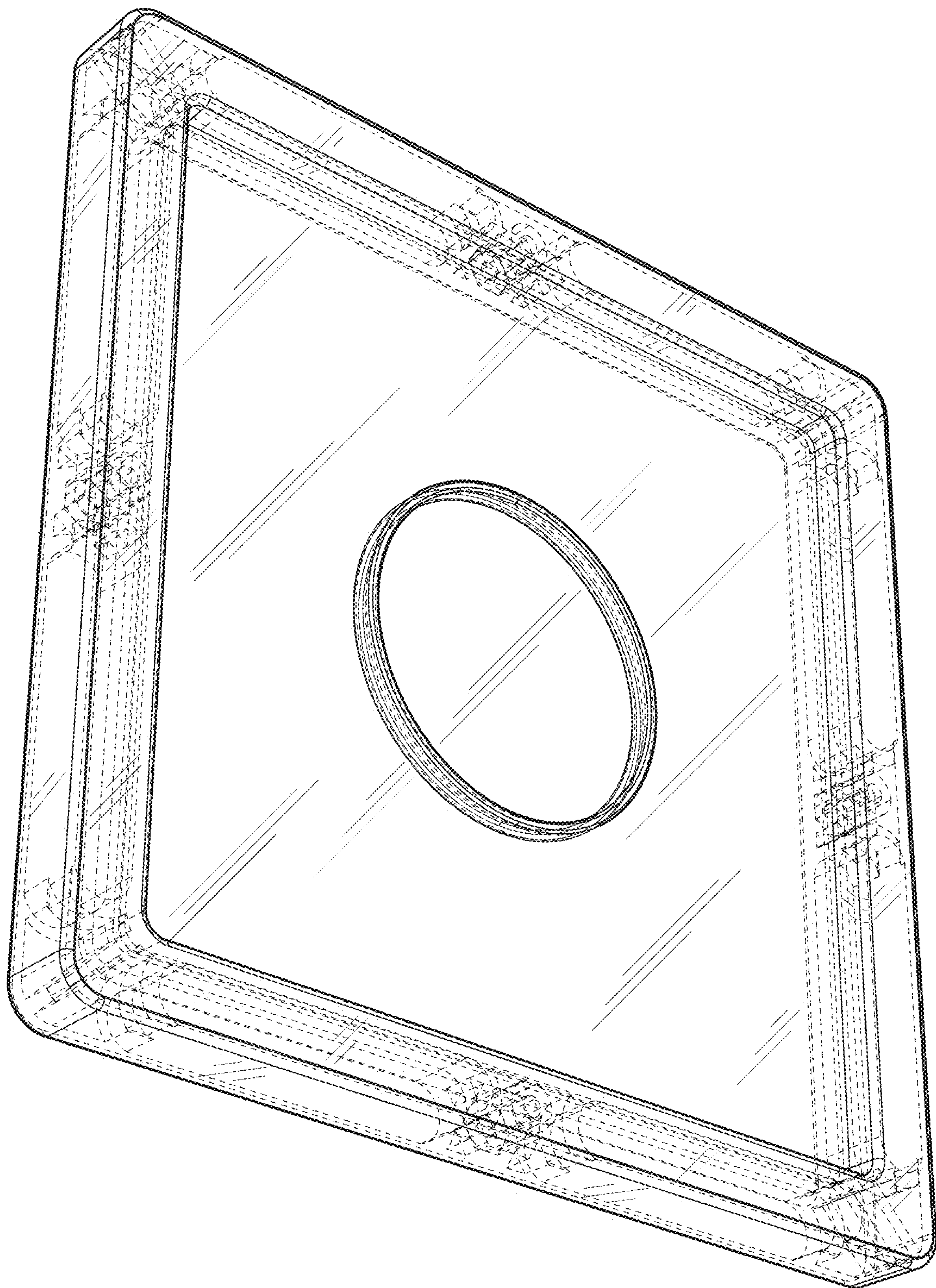


Fig. 26

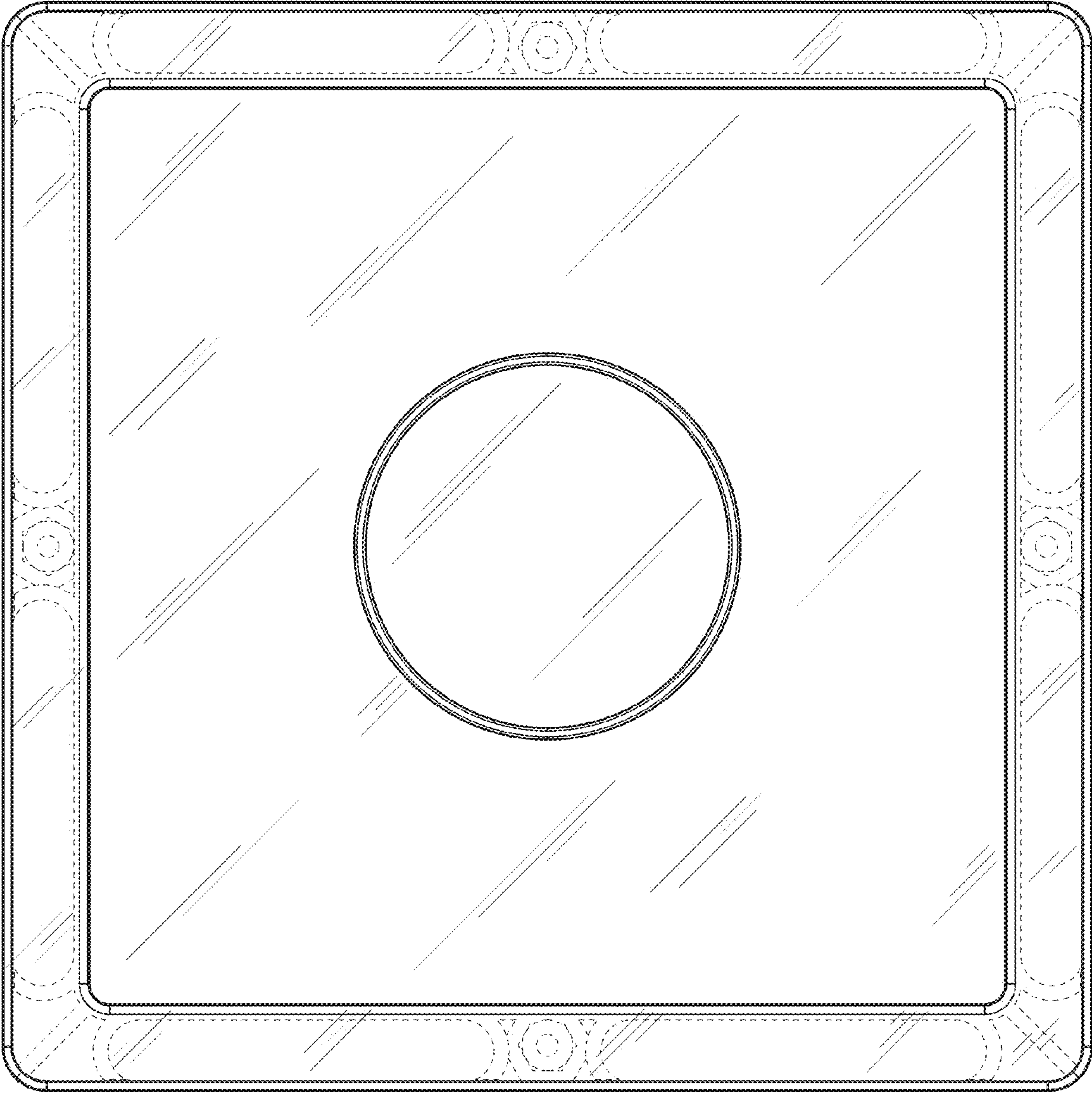


Fig. 27

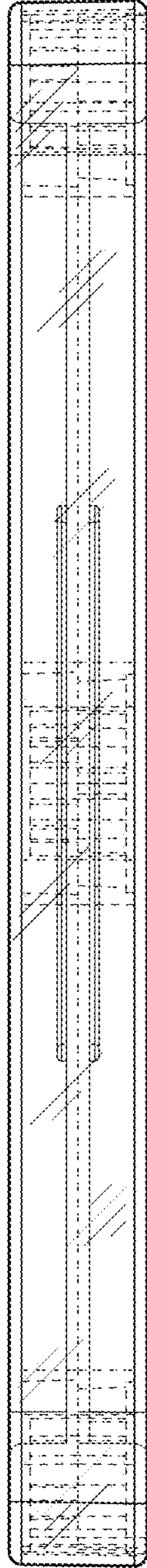


Fig. 28

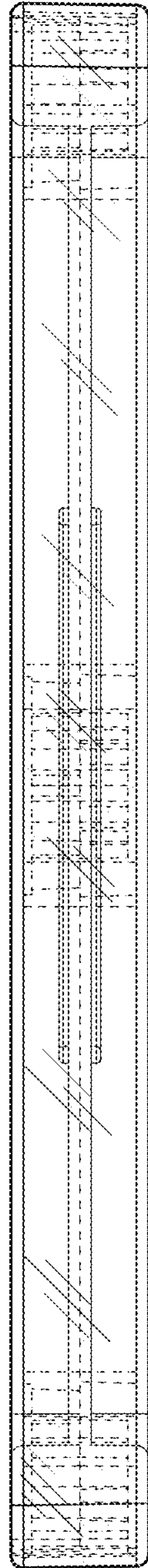


Fig. 29

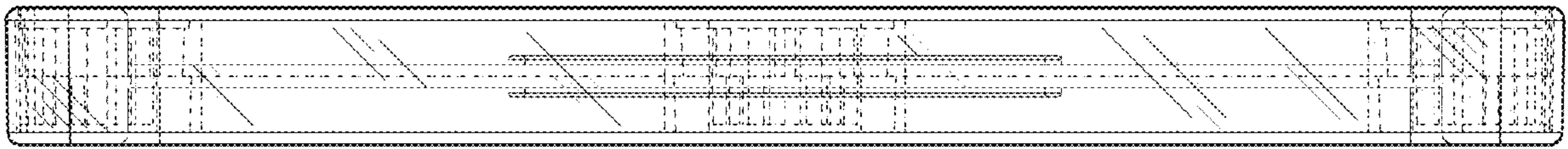


Fig. 30

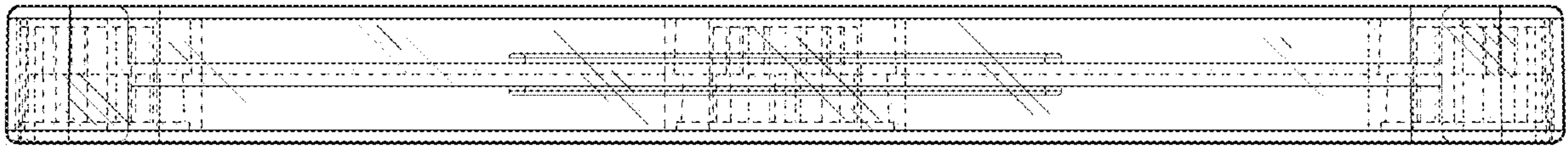


Fig. 31

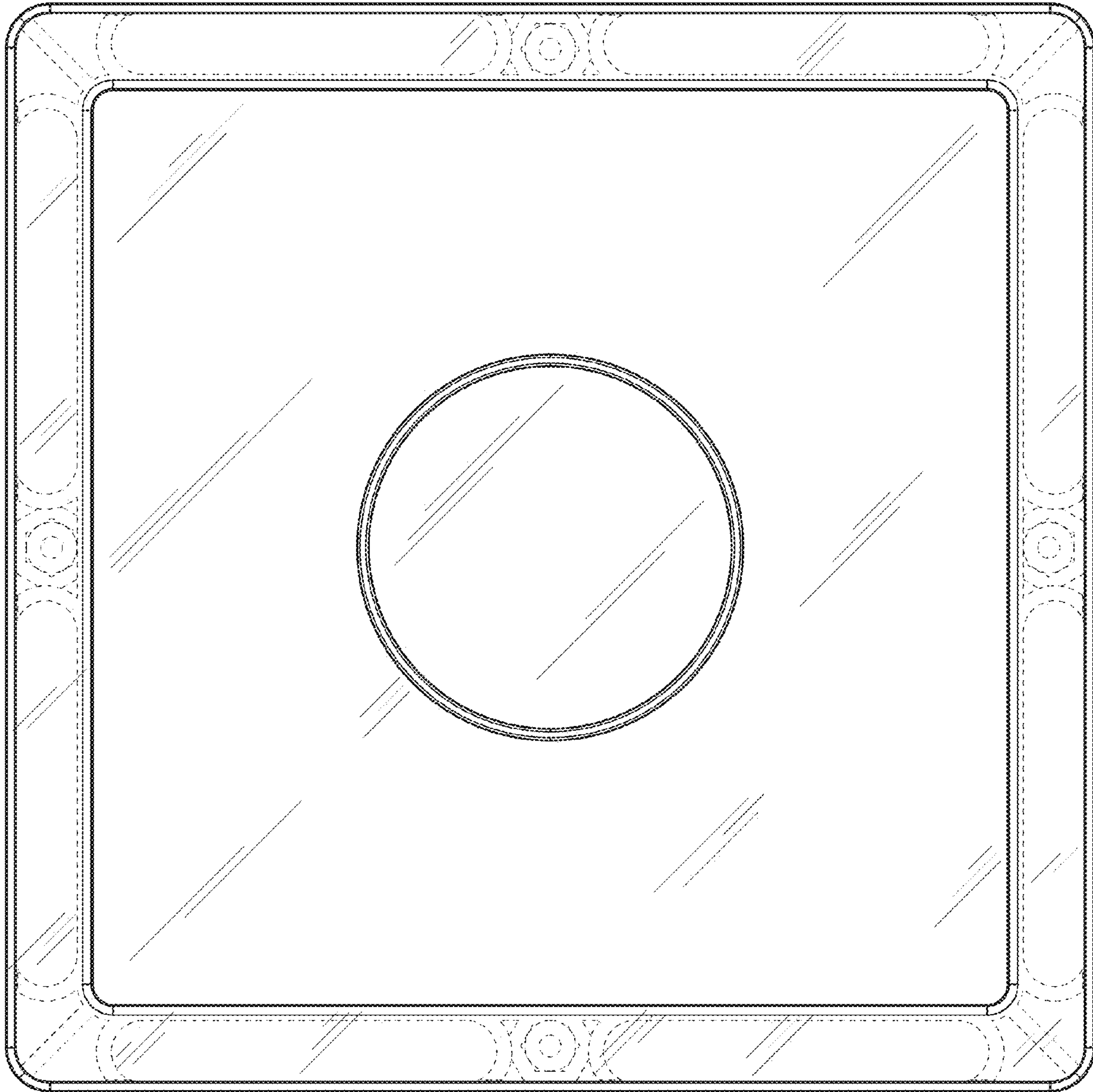


Fig. 32

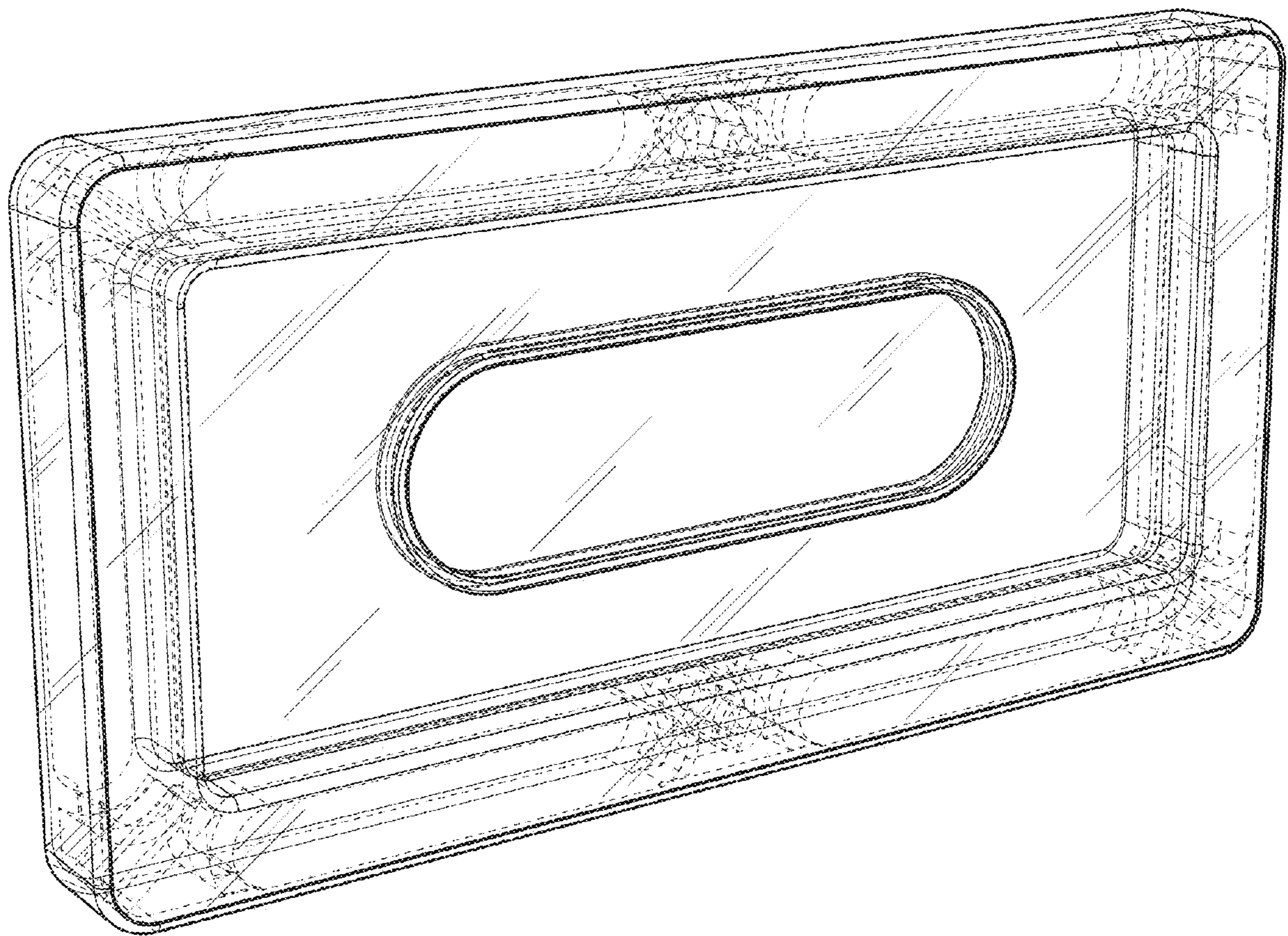


Fig. 33

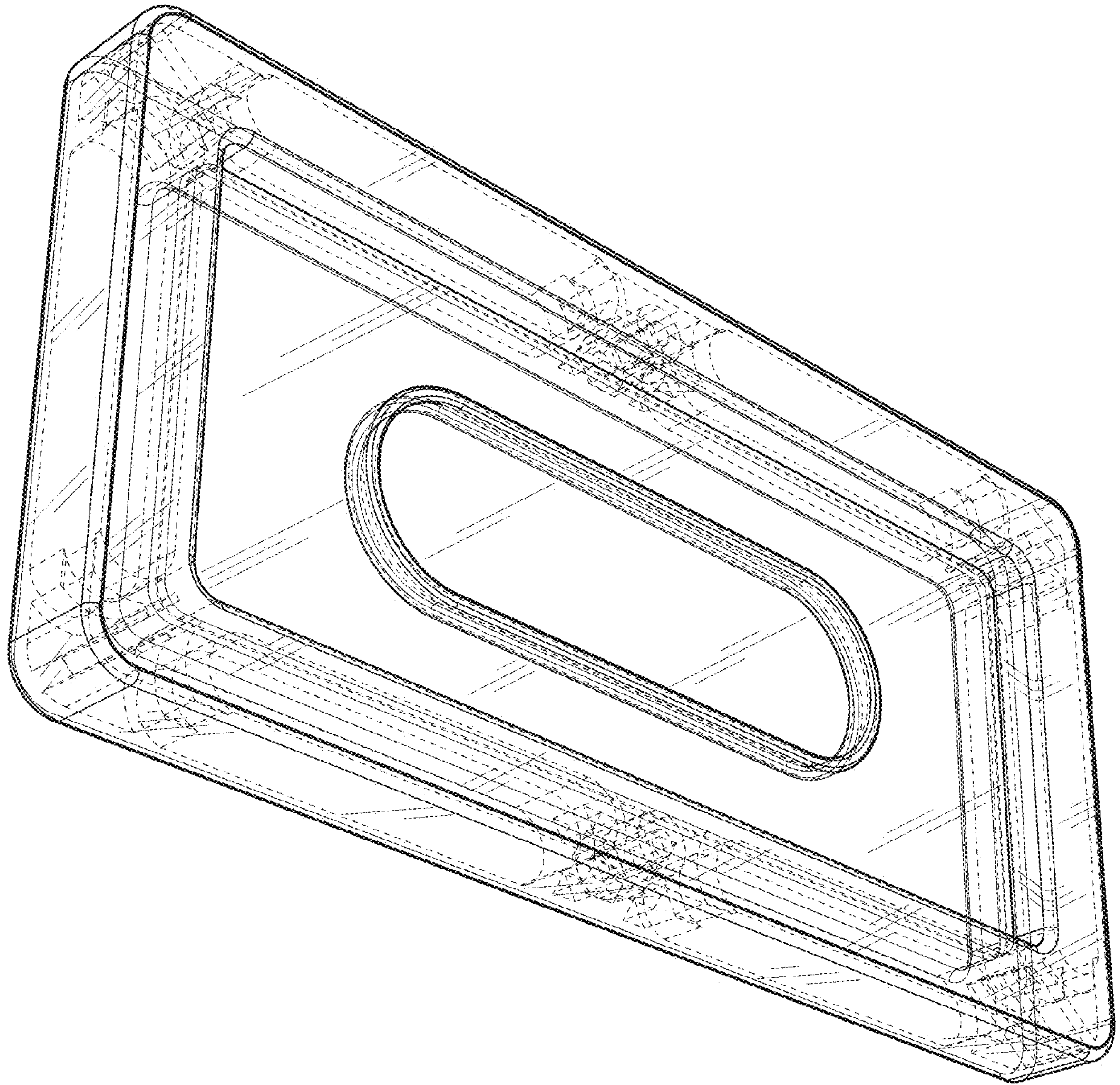


Fig. 34

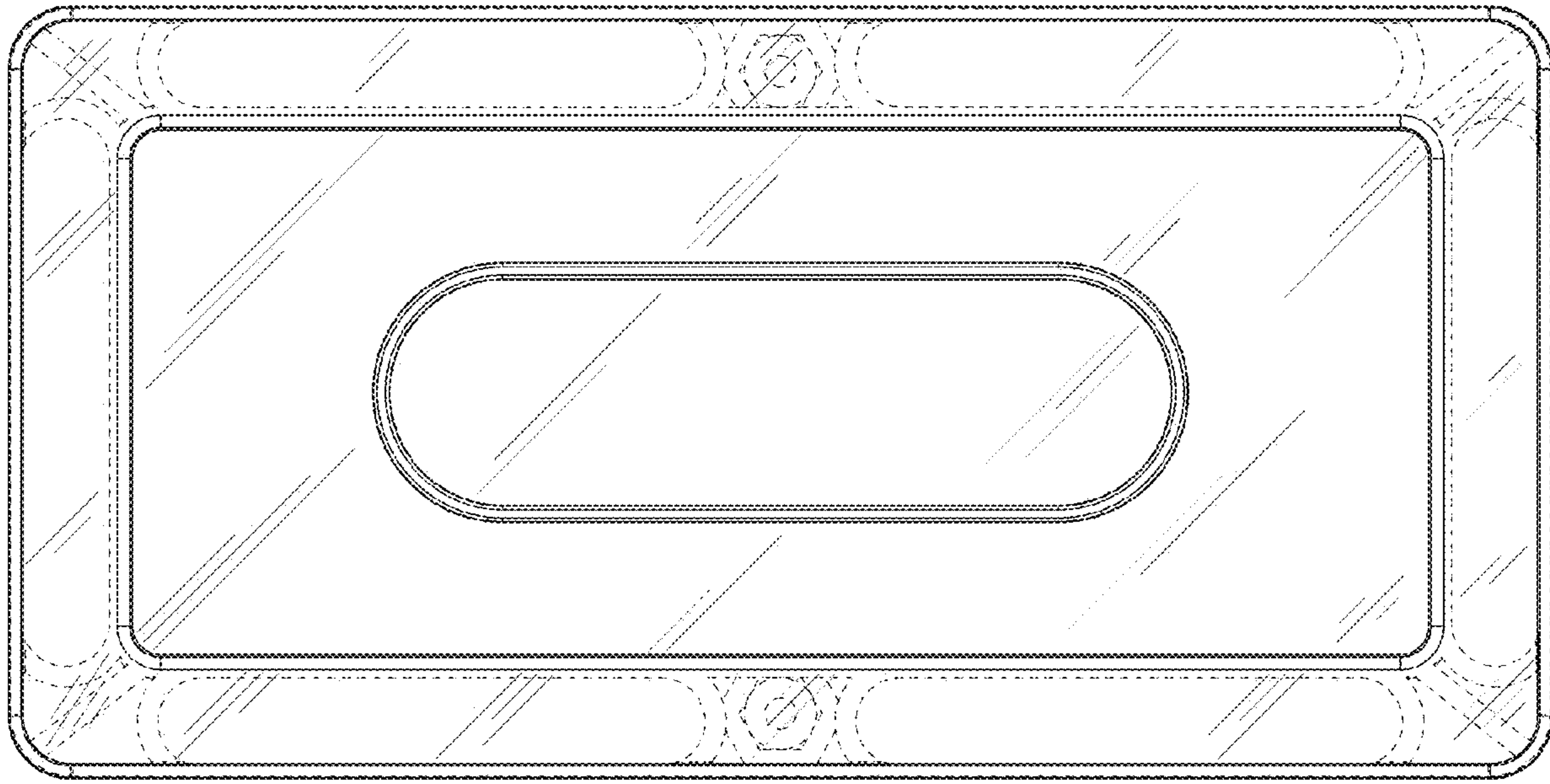


Fig. 35

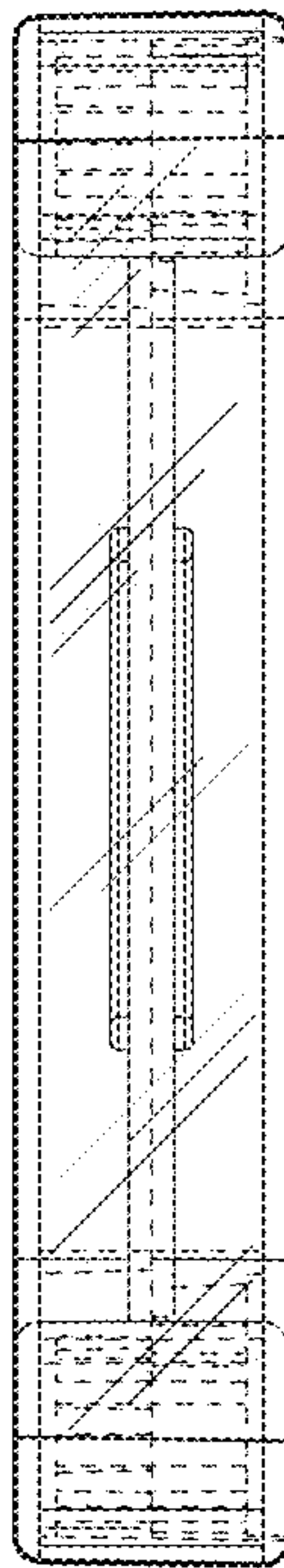


Fig. 36

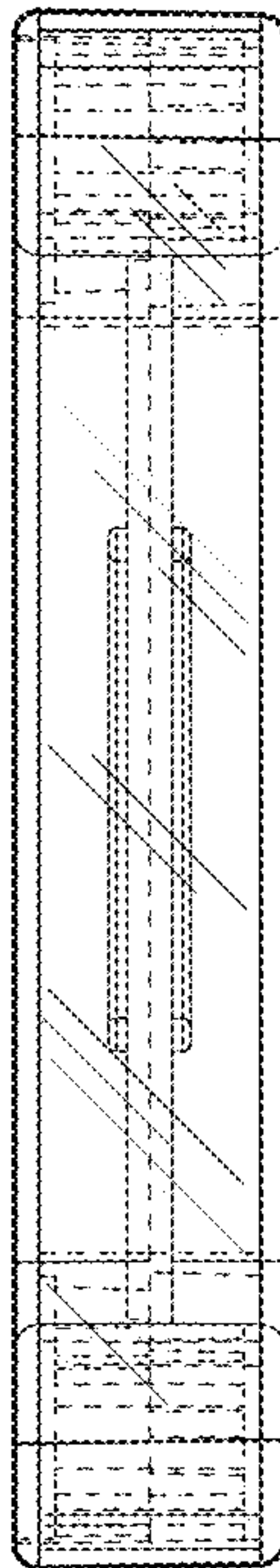


Fig. 37

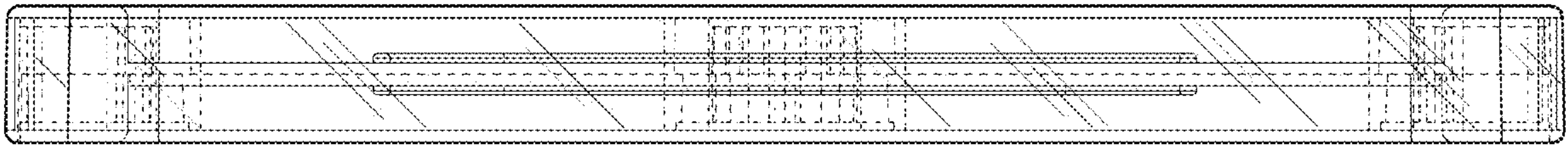


Fig. 38

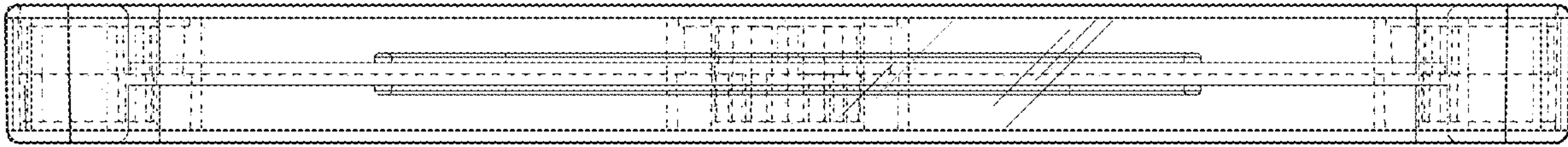


Fig. 39

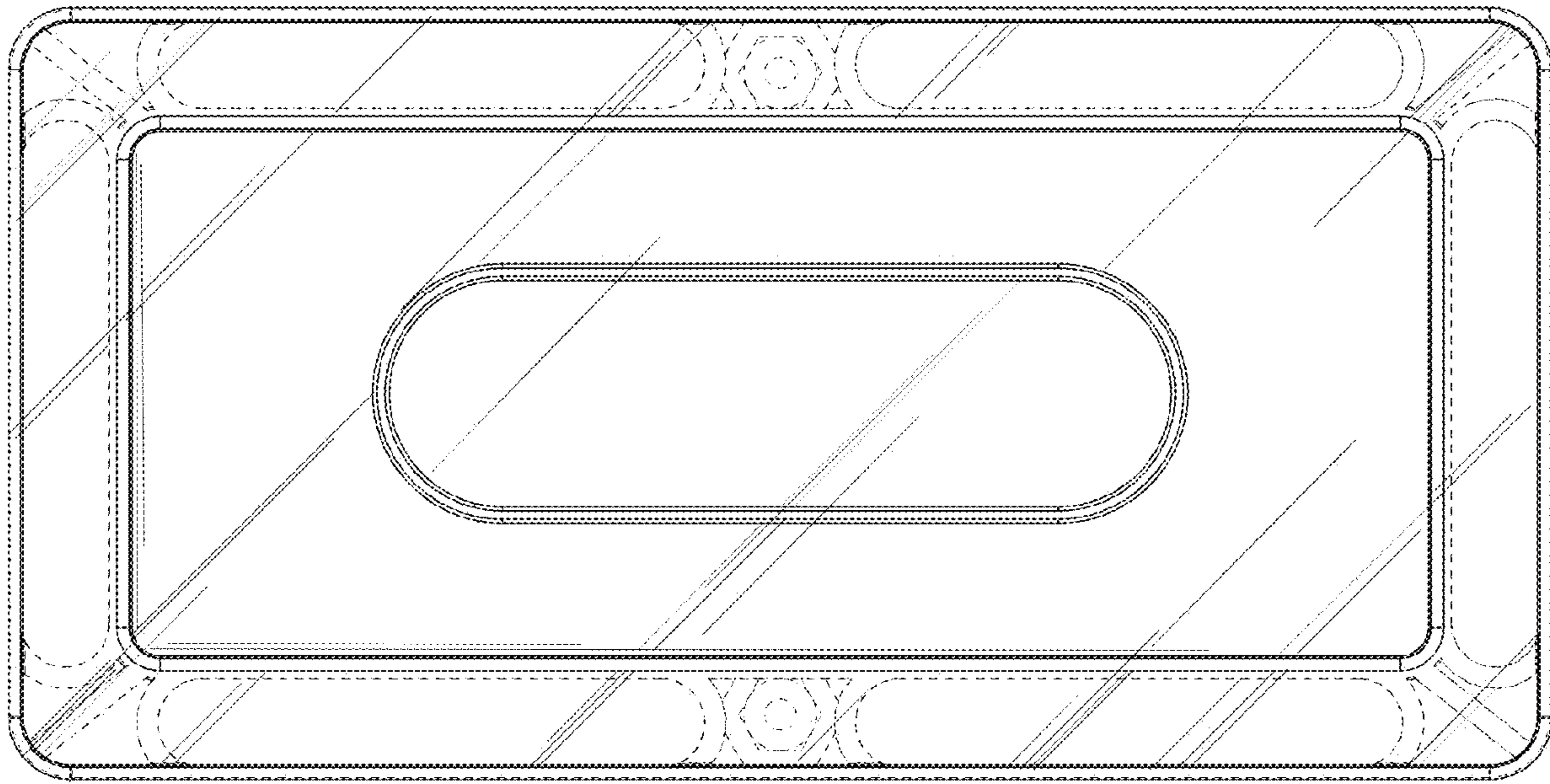


Fig. 40

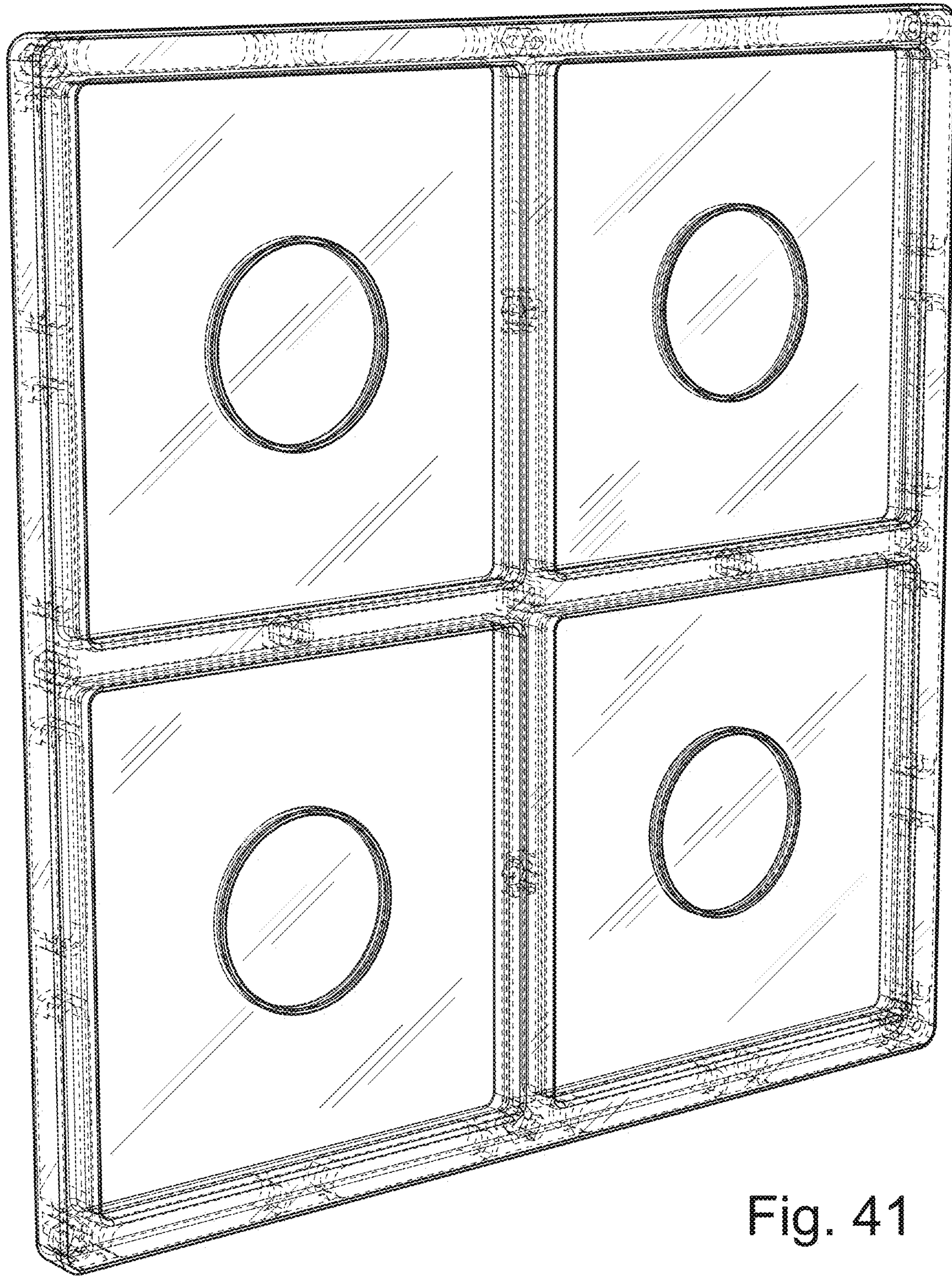


Fig. 41

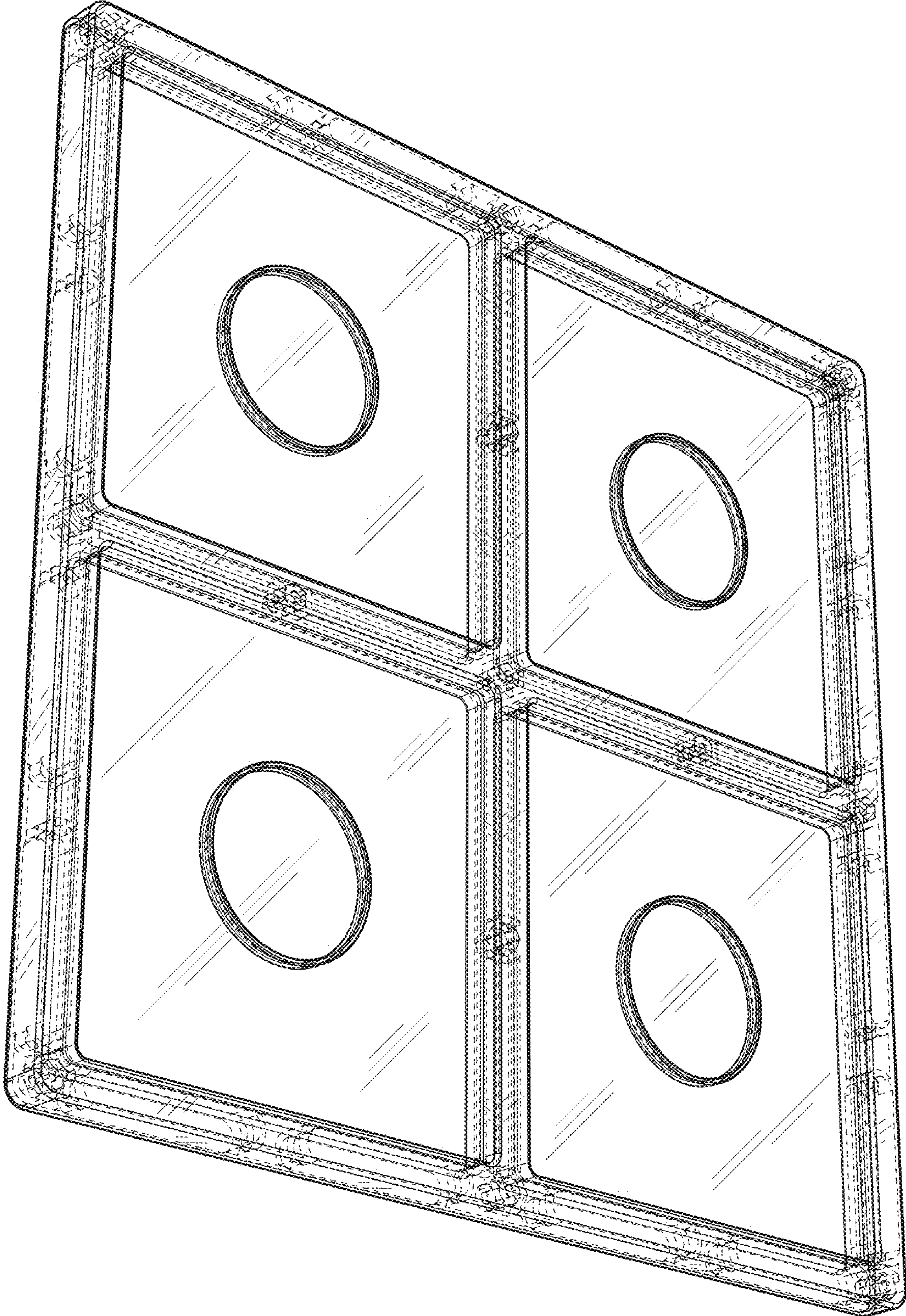


Fig. 42

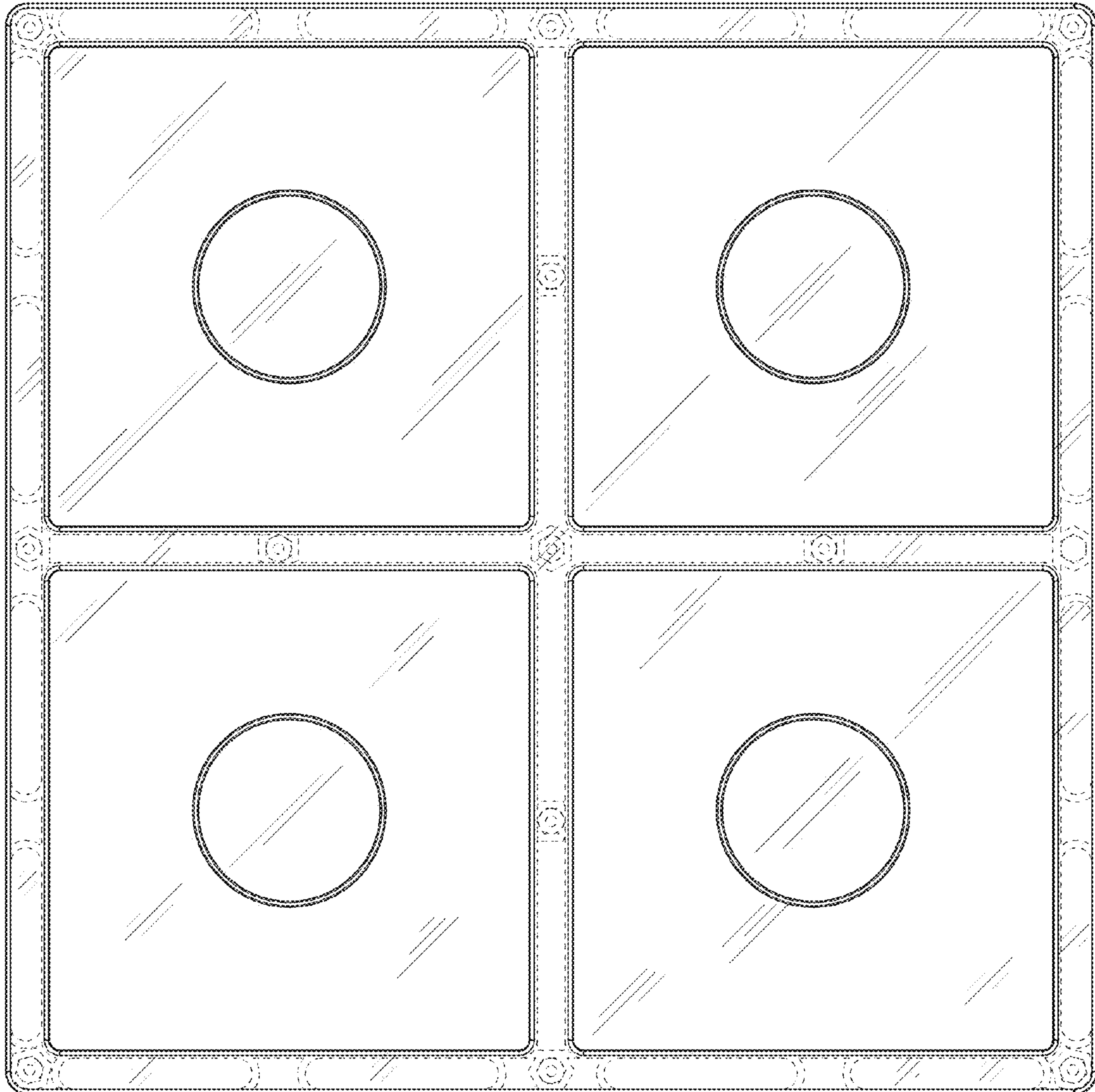


Fig. 43

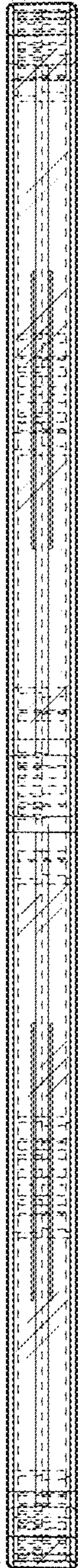


Fig. 44



Fig. 45



Fig. 46



Fig. 47

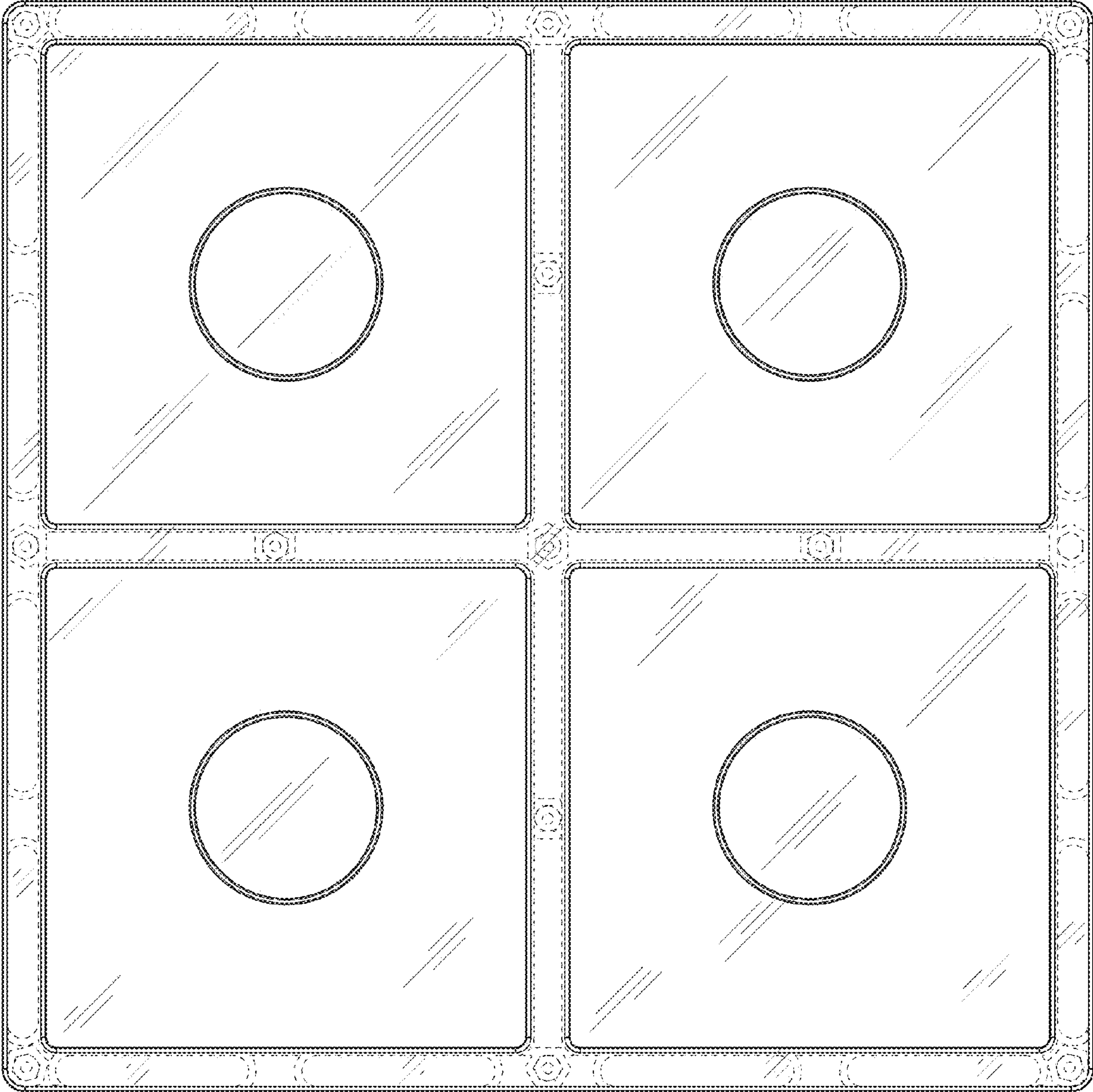


Fig. 48

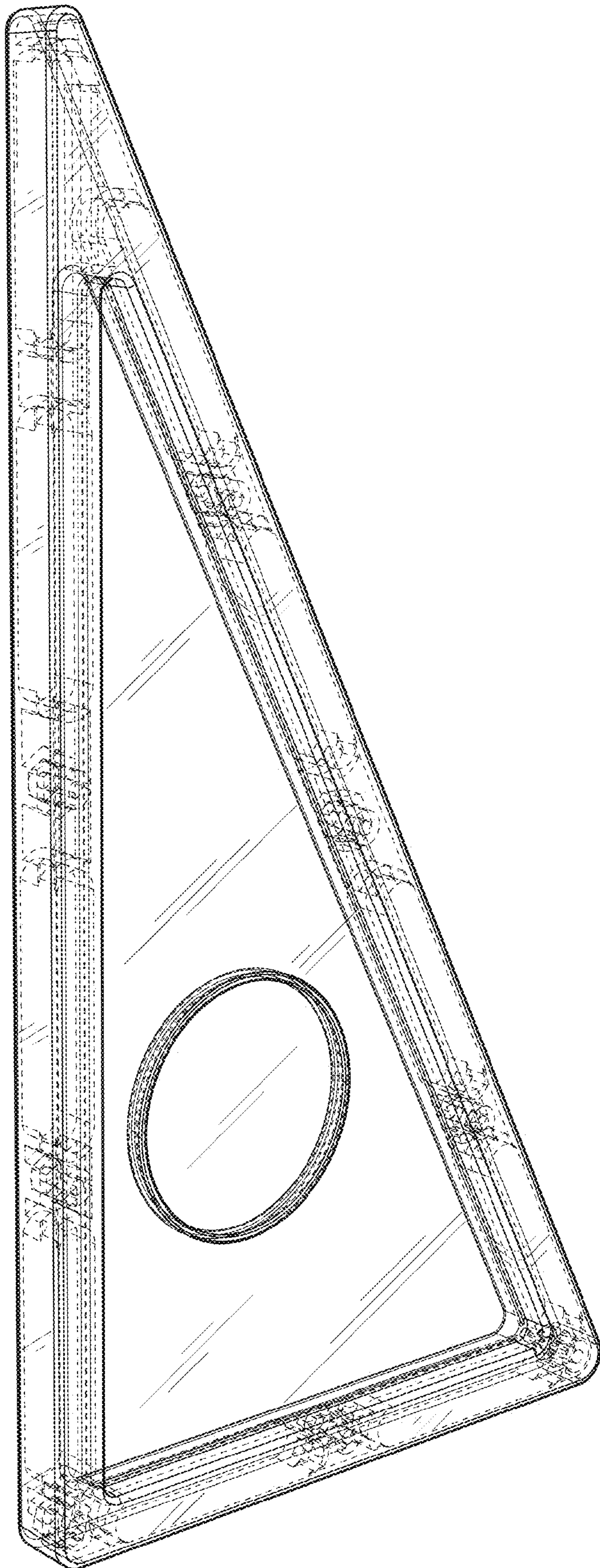


Fig. 49

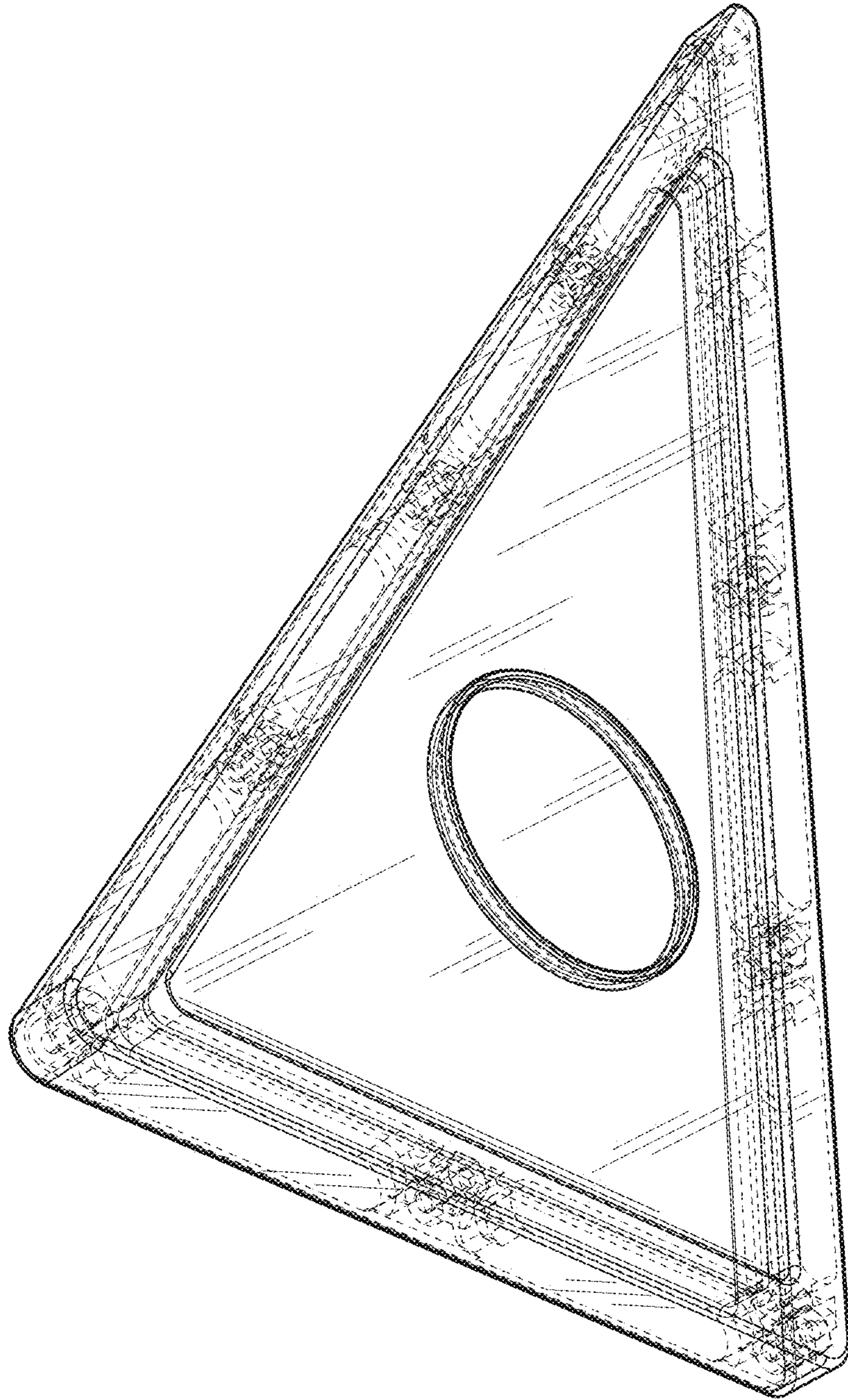


Fig. 50

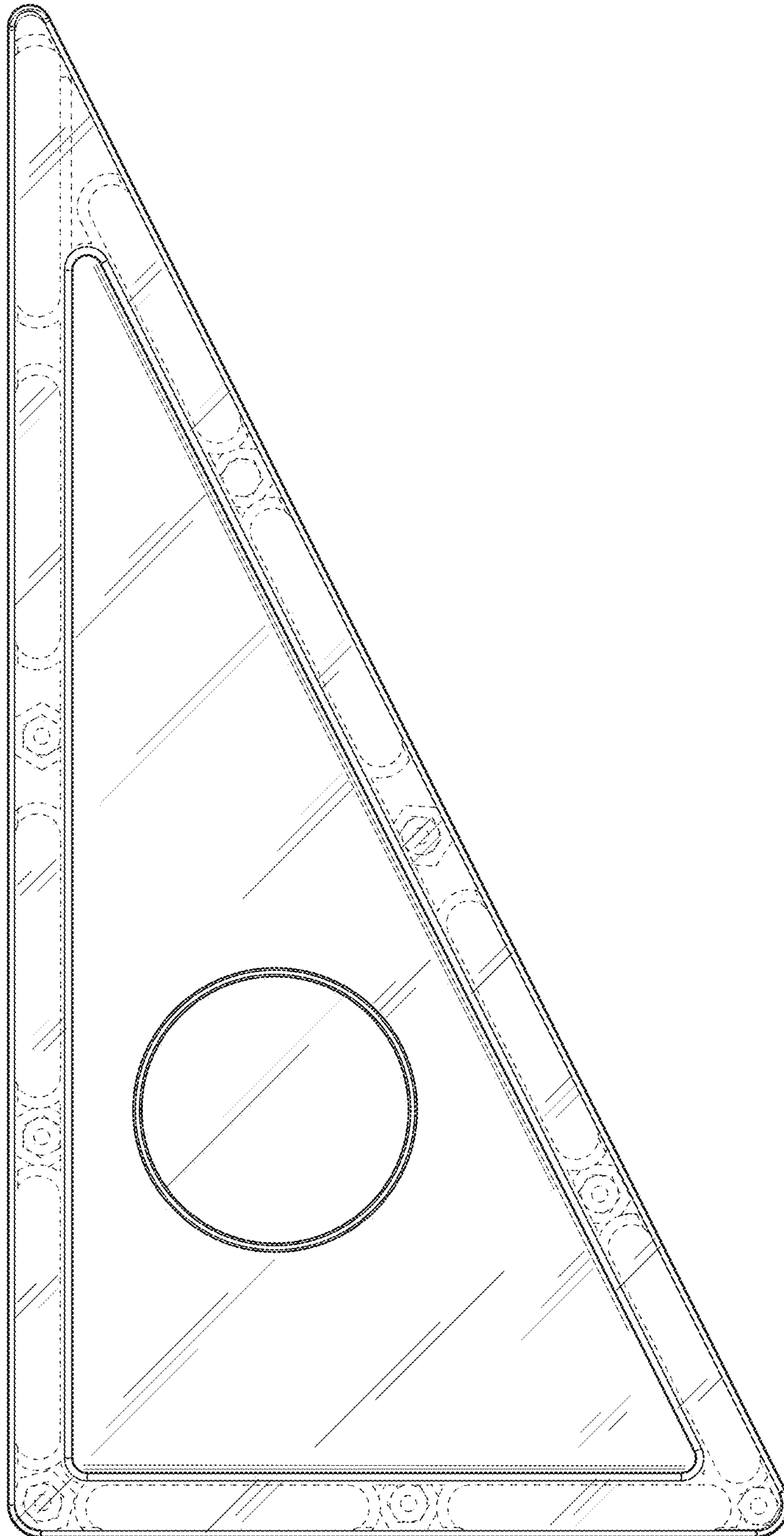


Fig. 51

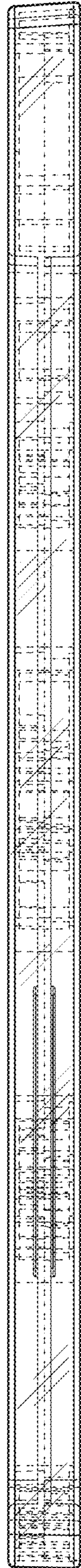


Fig. 52

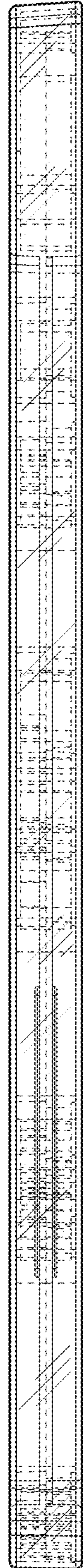


Fig. 53

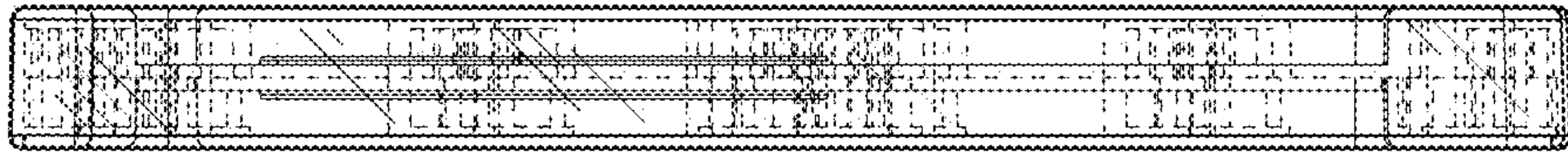


Fig. 54

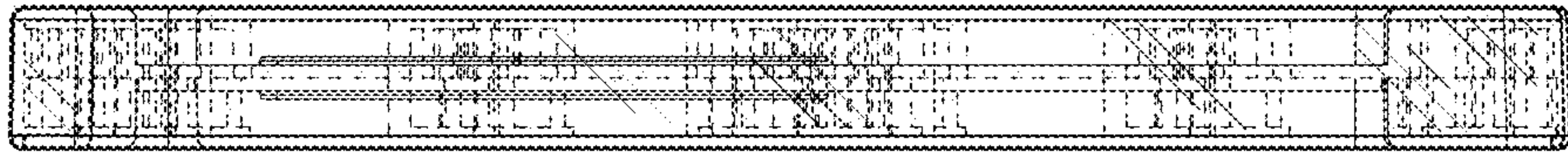


Fig. 55

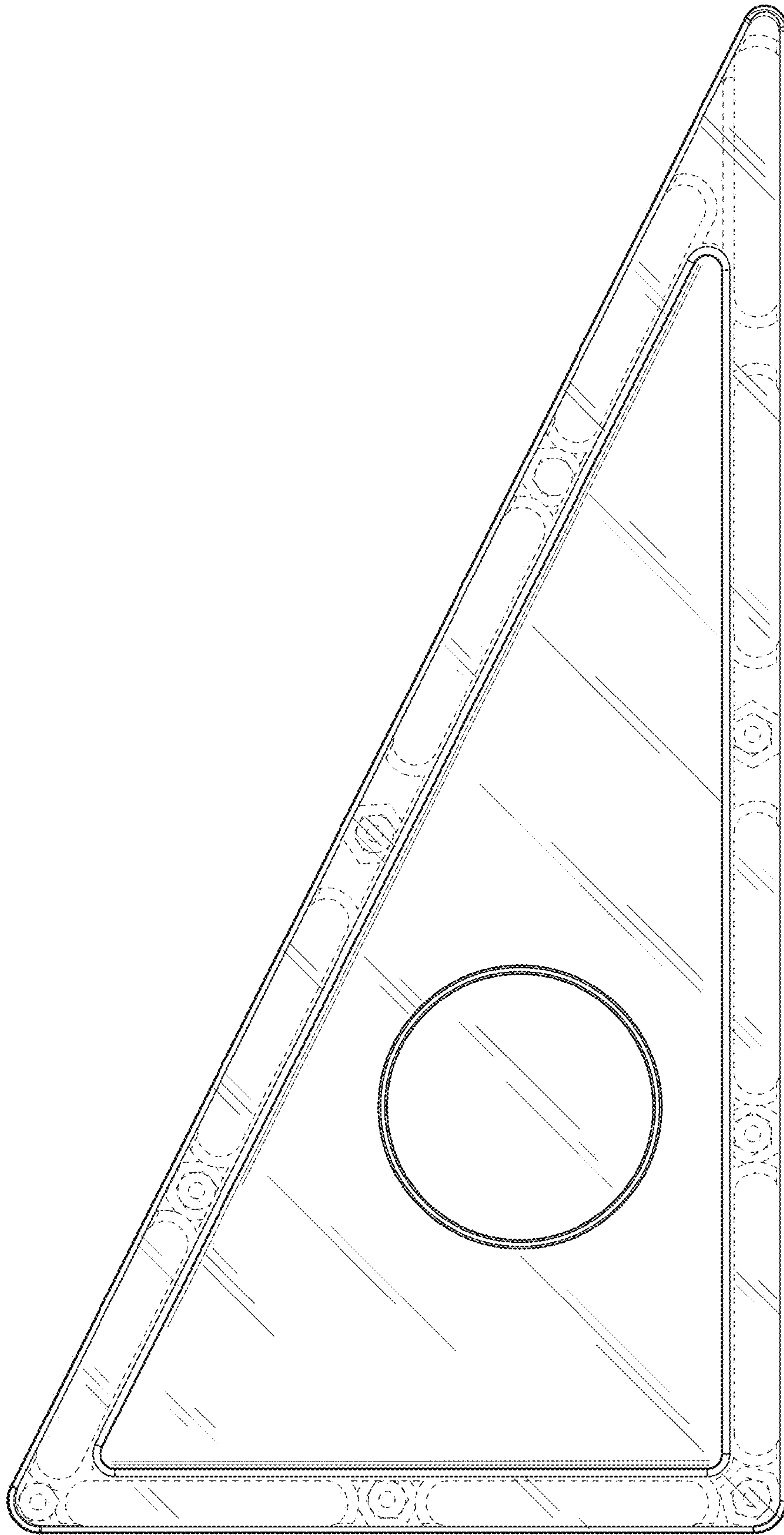


Fig. 56