



US00D928236S

(12) **United States Design Patent** (10) **Patent No.:** **US D928,236 S**  
**Zhou** (45) **Date of Patent:** **\*\* Aug. 17, 2021**

(54) **GAMEPAD**

(71) Applicant: **SHENZHEN CHT TECHNOLOGY CO., LTD**, Shenzhen (CN)

(72) Inventor: **Zejun Zhou**, Shenzhen (CN)

(73) Assignee: **SHENZHEN CHT TECHNOLOGY CO., LTD**, Shenzhen (CN)

(\*\*) Term: **15 Years**

(21) Appl. No.: **29/721,272**

(22) Filed: **Jan. 20, 2020**

(30) **Foreign Application Priority Data**

Dec. 9, 2019 (CN) ..... 201930685619.4

(51) **LOC (13) Cl.** ..... **30-99**

(52) **U.S. Cl.**  
USPC ..... **D21/333**

(58) **Field of Classification Search**

USPC ..... D21/324-29, 330, 331, 333, 341, 342, D21/349, 386; D14/137, 138, 160, 168, D14/174, 177, 190, 217, 218, 250, 299, D14/322, 341, 345, 346, 353, 354, 356, D14/387, 388, 389, 399-401, 412-416, D14/421, 432, 440, 443, 449, 450, 454, D14/463, 471, 474, 483, 493, 496, 511; D22/100, 103-105; D13/162, 162.1, 168; D10/78, 98, 103; D12/174, 177, 190, D12/218; D18/10  
CPC ..... A45C 13/00; A45C 13/001; A45C 13/002; A63F 13/10; A63F 13/98; A63F 13/24; A63F 9/0291; A63F 13/06; A63F 13/02; A63F 9/00; A63F 9/24; A63F 11/00; G06F 3/0338; G06F 3/014; G06F 3/0346; G06F 1/1666; G06F 17/00; G06F 19/00; G06T 7/246; H04N 21/00; H04N 7/14; C09J 7/38

See application file for complete search history.

(56) **References Cited**

U.S. PATENT DOCUMENTS

D640,696 S *	6/2011	Lovoi .....	D14/401
D640,697 S *	6/2011	Lovoi .....	D14/401
D709,499 S *	7/2014	Morris .....	D14/401
D767,037 S *	9/2016	Chatterjee .....	D21/333
D772,988 S *	11/2016	Kujawski .....	D21/333
D773,561 S *	12/2016	Kujawski .....	D21/333
D784,989 S *	4/2017	Kujawski .....	D14/401
D786,870 S *	5/2017	Coe .....	D14/401
D791,880 S *	7/2017	Chatterjee .....	D21/333
D794,025 S *	8/2017	Kujawski .....	D14/401
D795,961 S *	8/2017	Chatterjee .....	D21/333
D798,954 S *	10/2017	Chatterjee .....	D21/333
D799,599 S *	10/2017	Kujawski .....	D21/333
D799,600 S *	10/2017	Chatterjee .....	D21/333
D819,641 S *	6/2018	Tsuchiya .....	D14/401

\* cited by examiner

*Primary Examiner* — Kevin K Rudzinski

*Assistant Examiner* — Mehri Bajoul

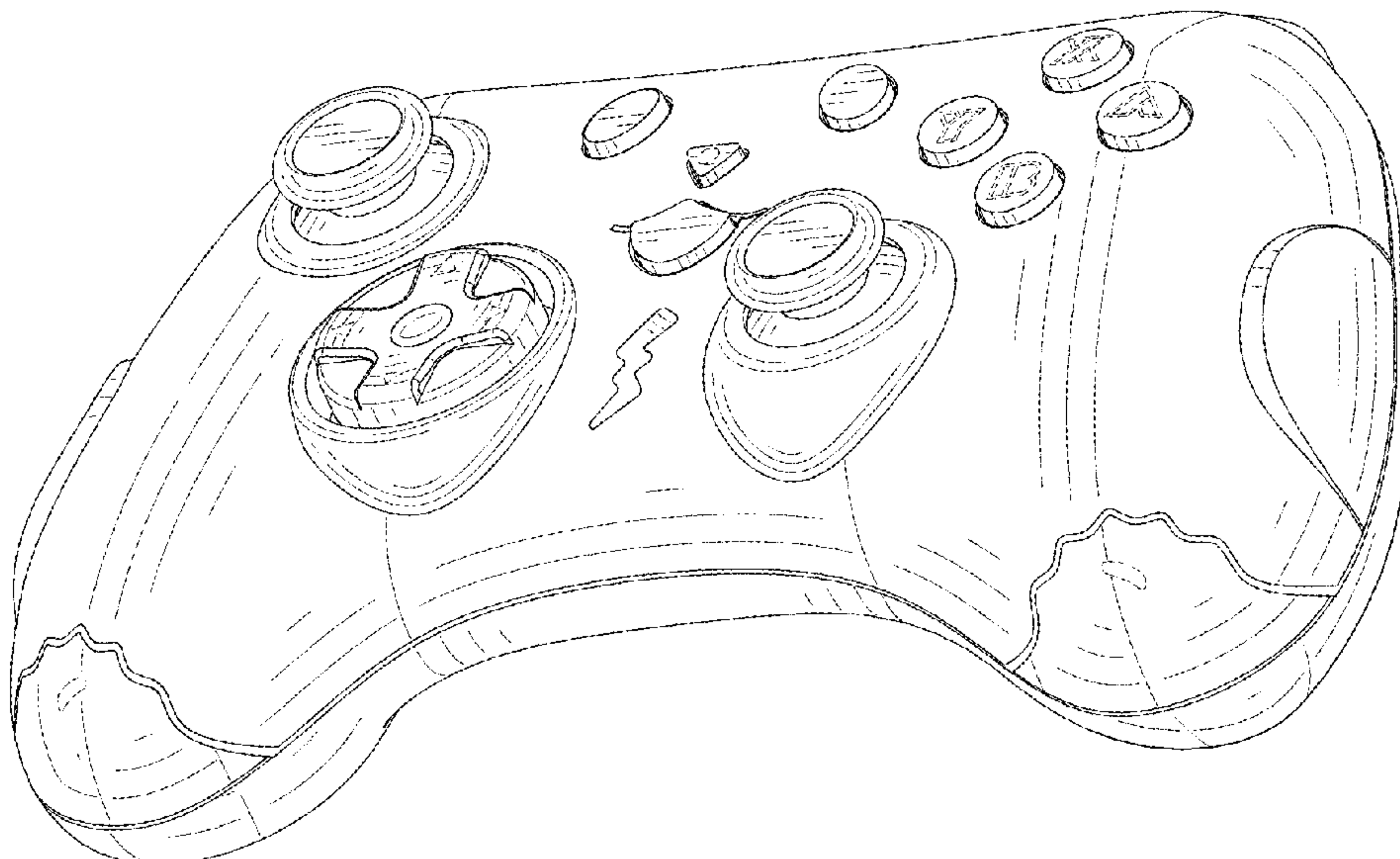
(57) **CLAIM**

The ornamental design for a gamepad, as shown and described.

**DESCRIPTION**

FIG. 1 is a perspective view of a gamepad showing my new design;  
FIG. 2 is another perspective view thereof;  
FIG. 3 is a front elevational view thereof;  
FIG. 4 is a rear elevational view thereof;  
FIG. 5 is a left side elevational view thereof;  
FIG. 6 is a right side elevational view thereof;  
FIG. 7 is a top plan view thereof; and,  
FIG. 8 is a bottom plan view thereof.  
The broken lines in the drawings depict portions of the gamepad that form no part of the claimed design.

**1 Claim, 8 Drawing Sheets**



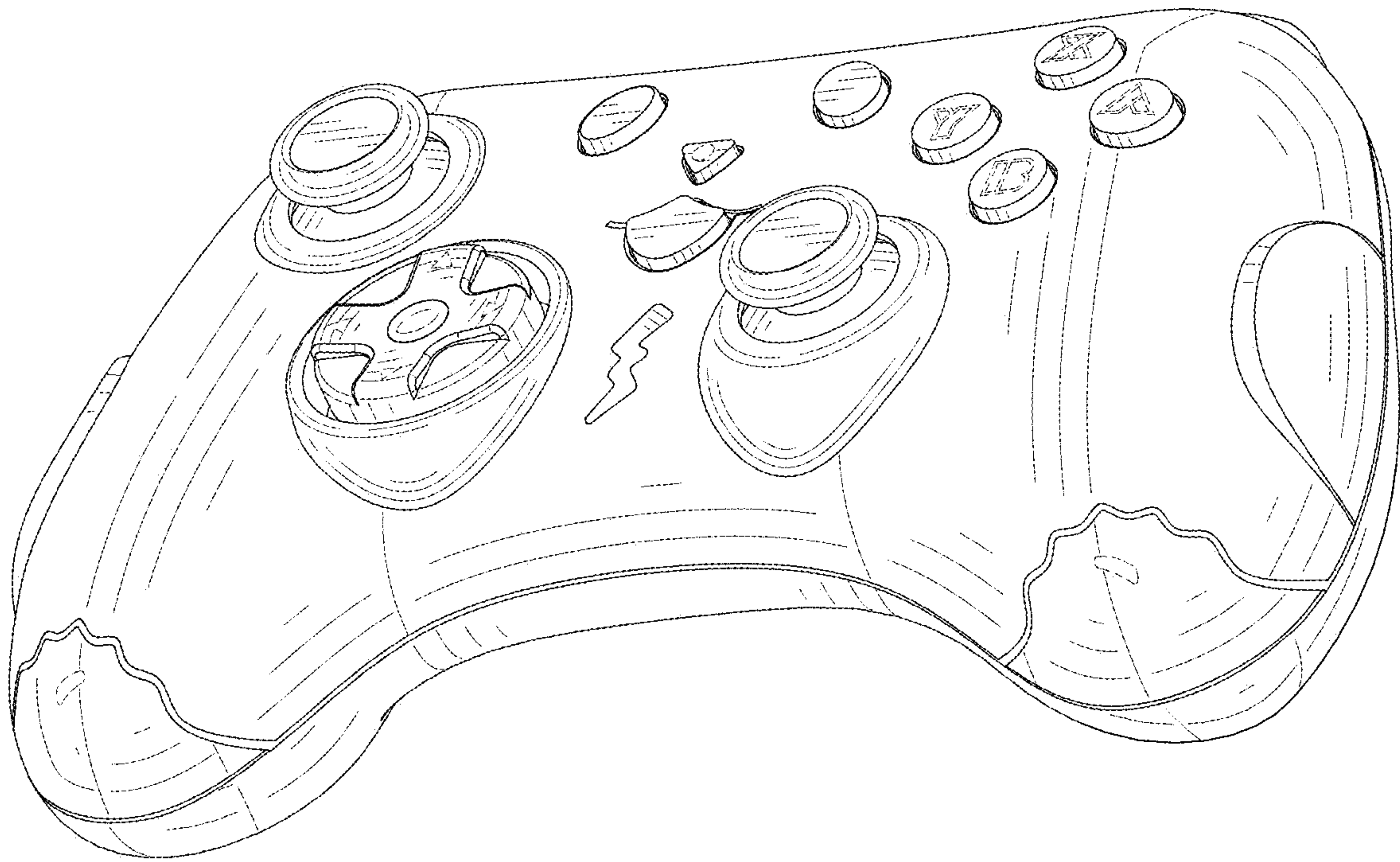


FIG. 1

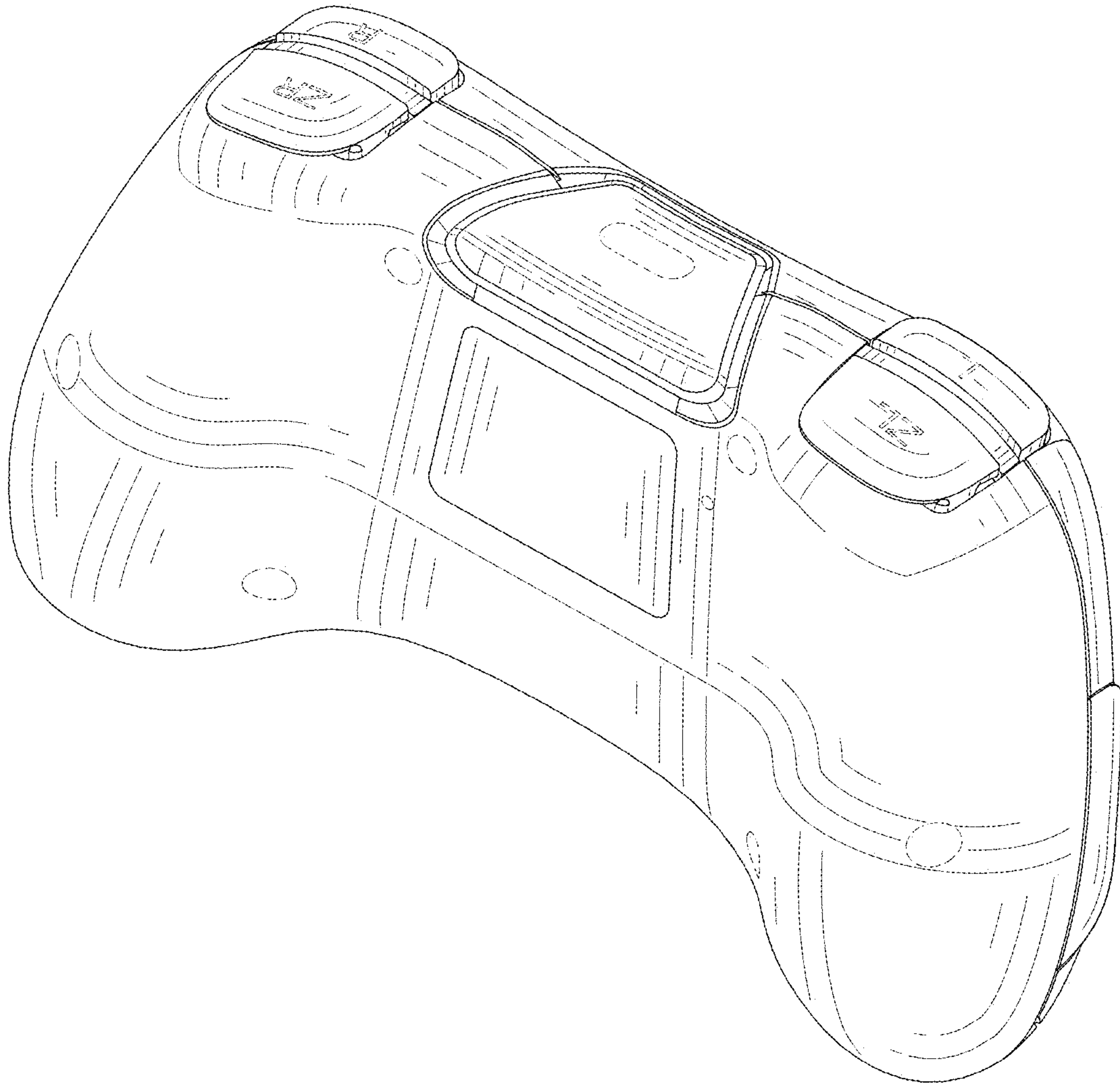


FIG. 2



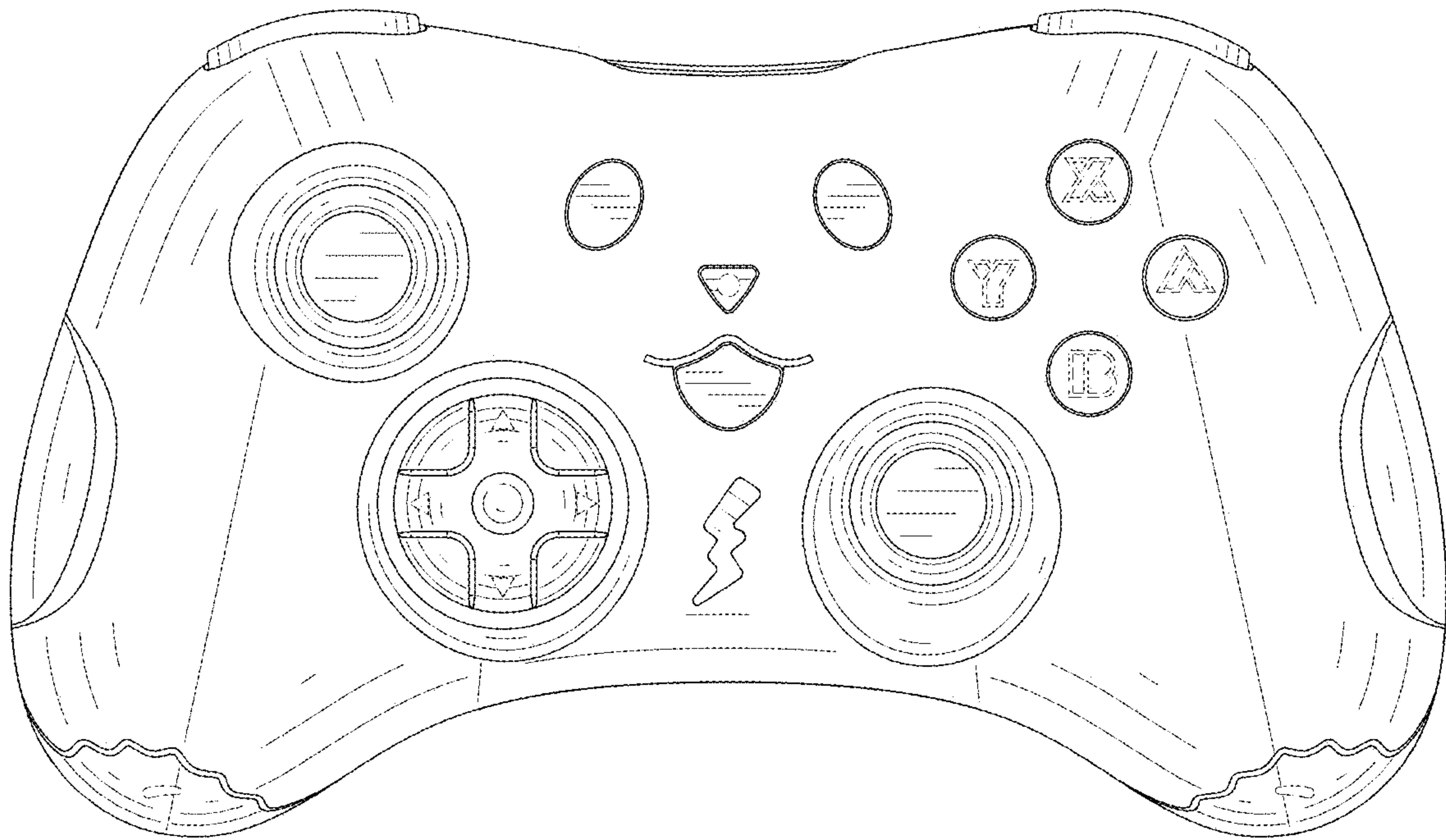


FIG. 3

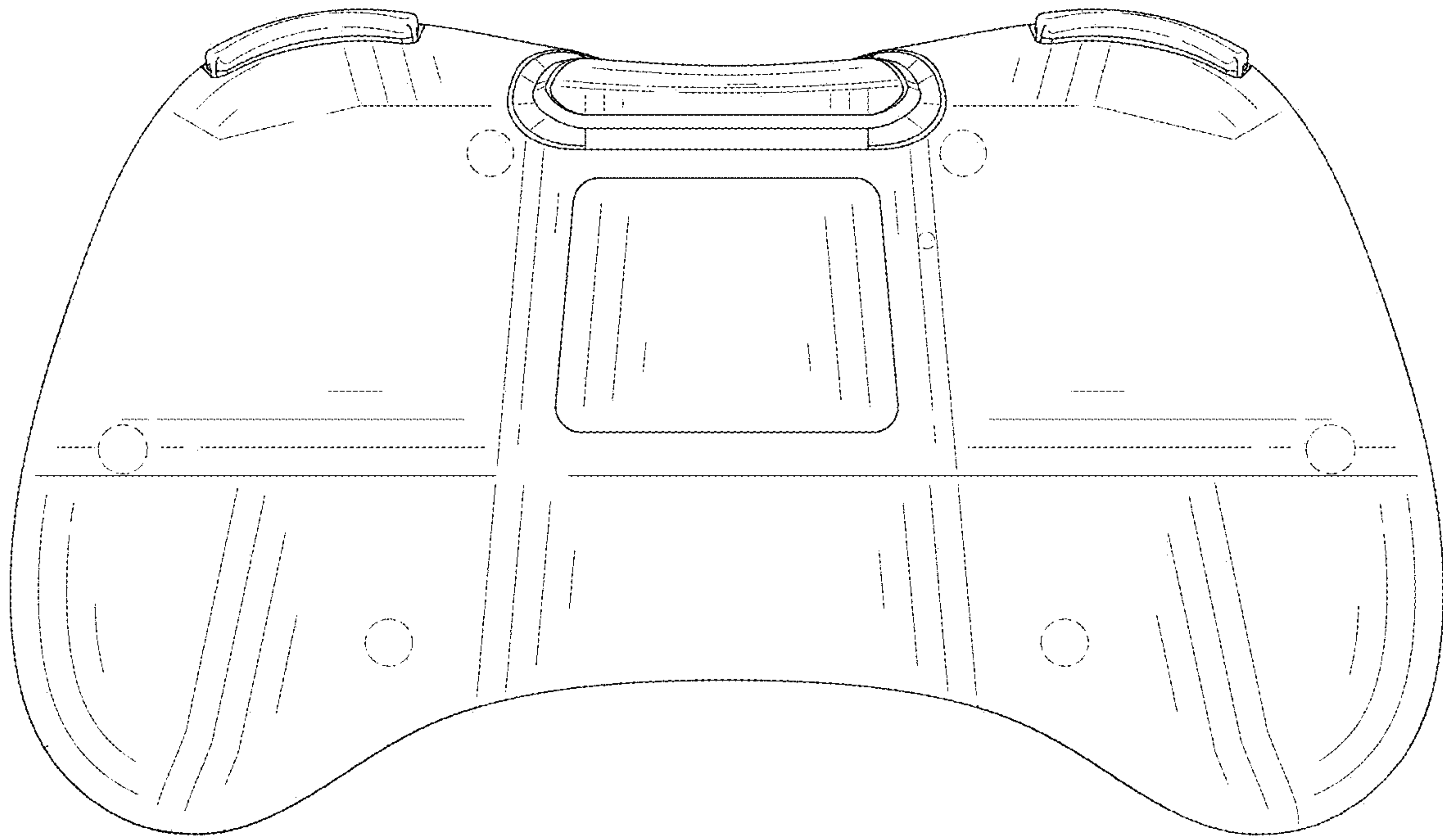


FIG. 4

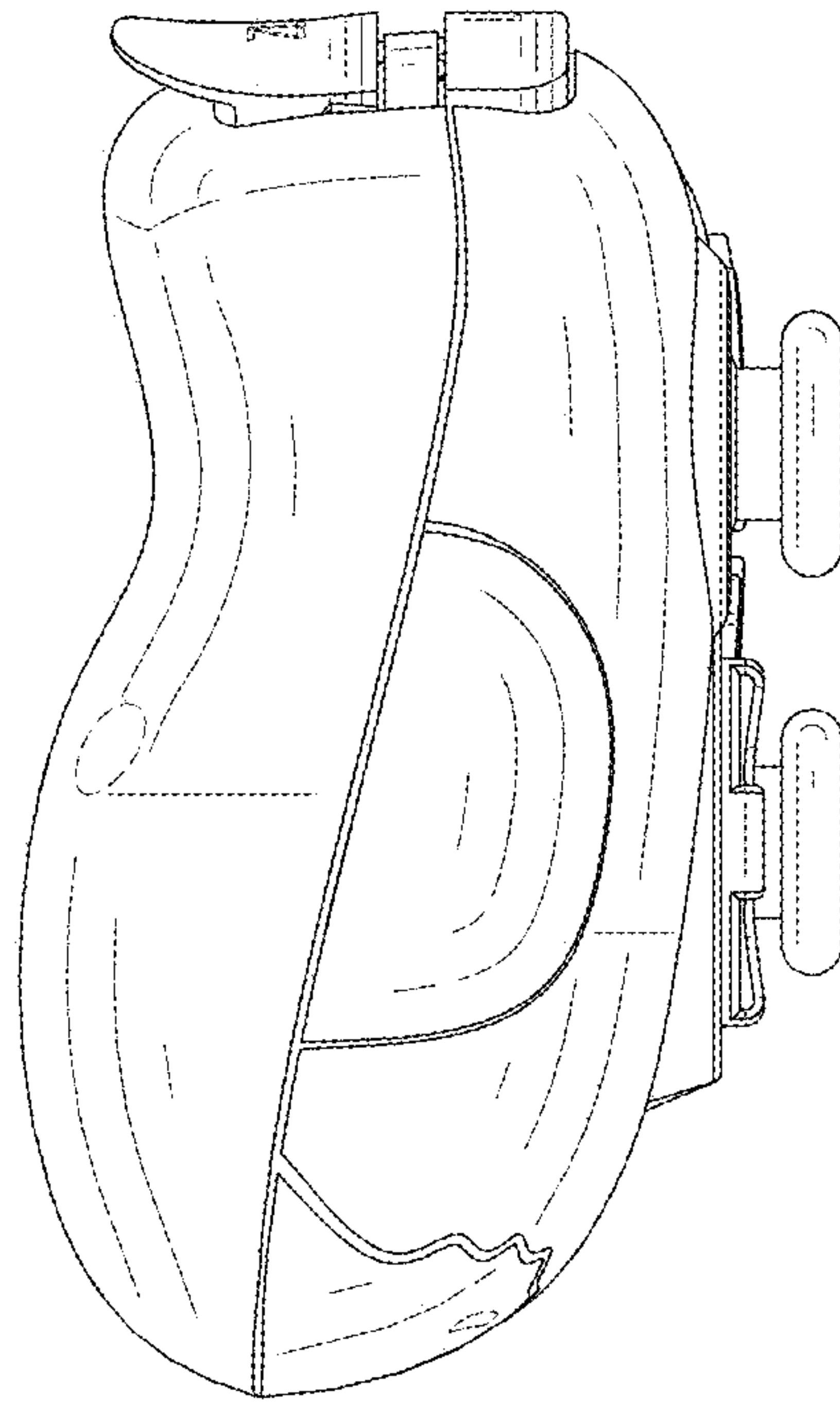


FIG. 5

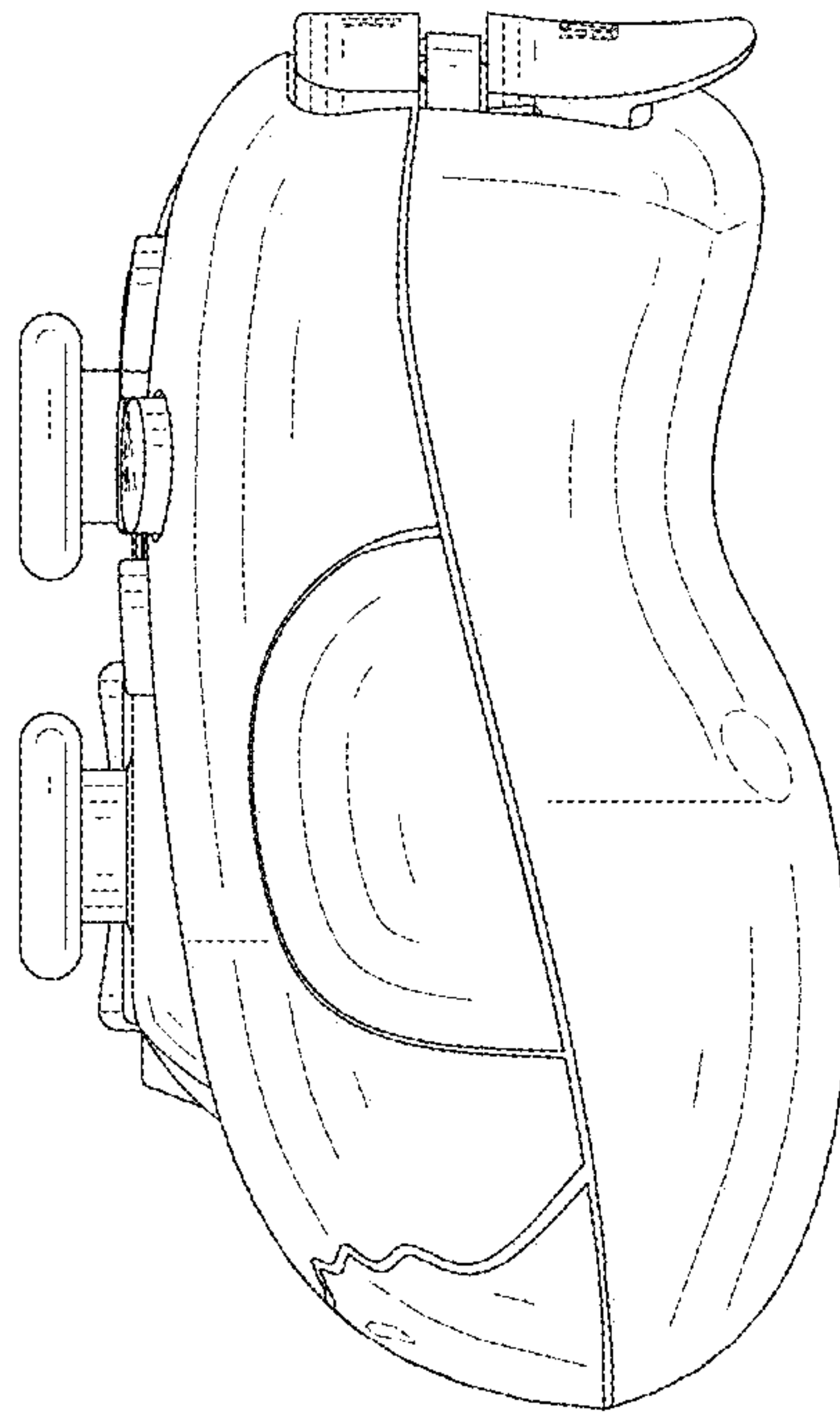


FIG. 6

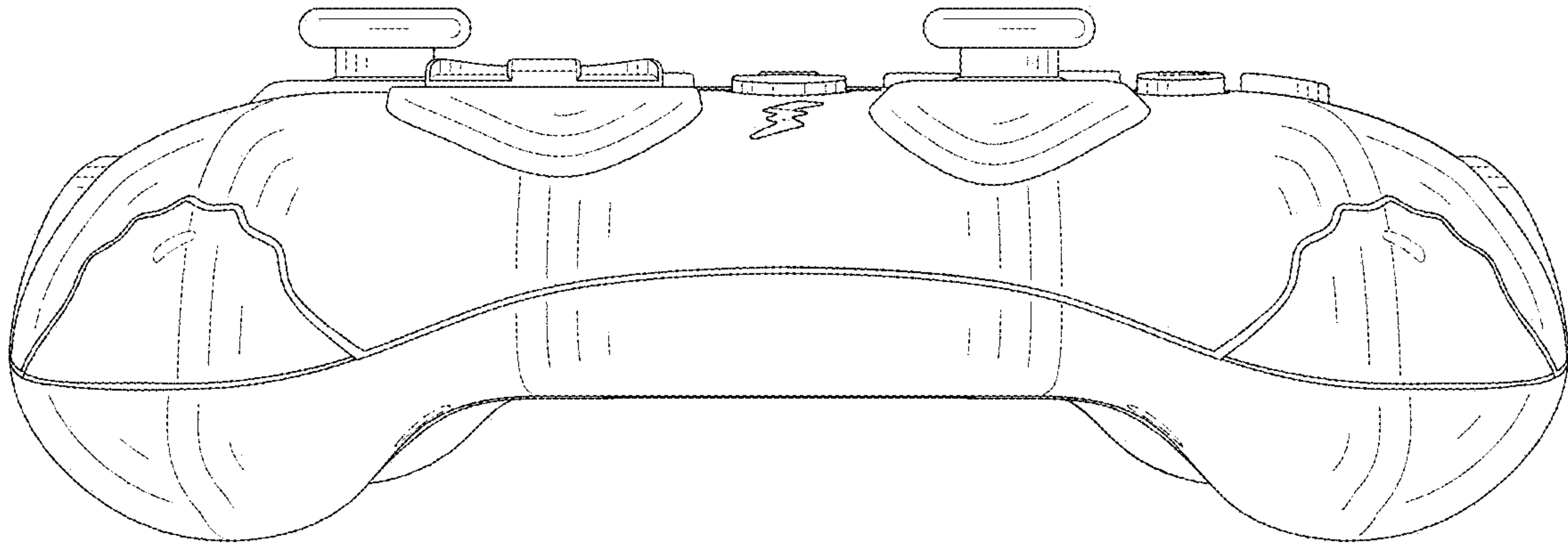


FIG. 7



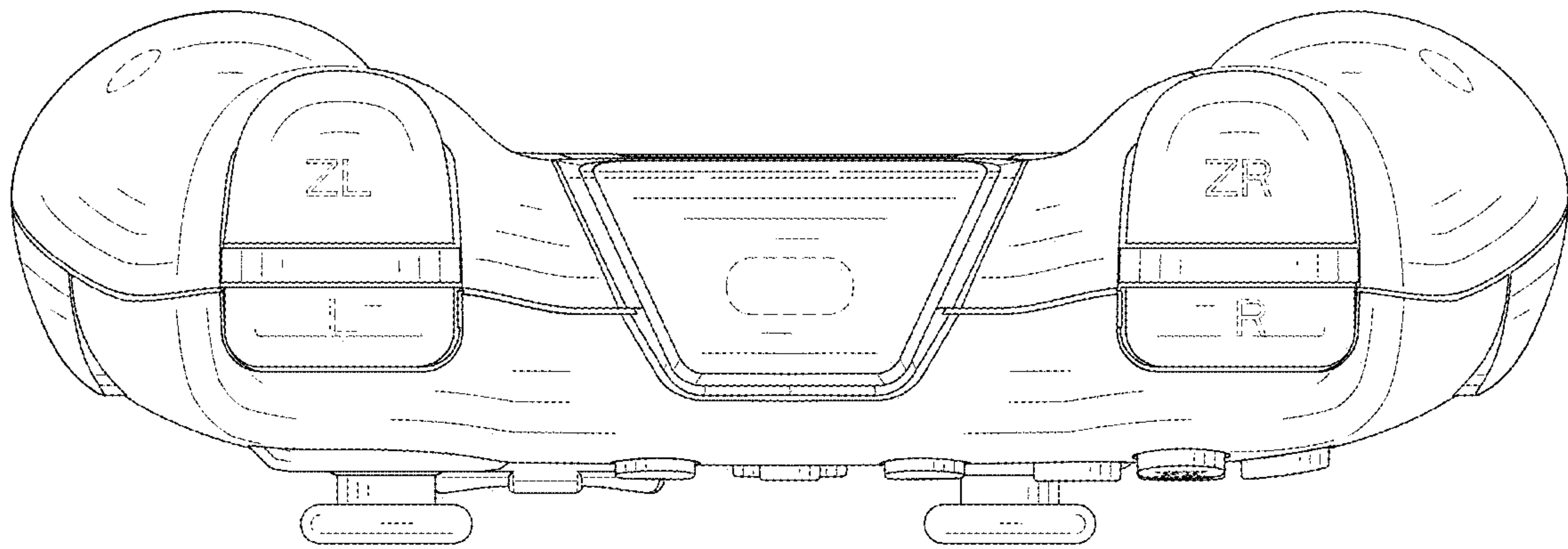


FIG. 8