



US00D928235S

(12) **United States Design Patent** (10) **Patent No.:** **US D928,235 S**
Paterson et al. (45) **Date of Patent:** **** Aug. 17, 2021**

- (54) **GAME CONTROLLER**
- (71) Applicant: **Amazon Technologies, Inc.**, Seattle, WA (US)
- (72) Inventors: **Michael Edward James Paterson**, San Francisco, CA (US); **Giles David Matthew McWilliam**, San Francisco, CA (US)
- (73) Assignee: **Amazon Technologies, Inc.**, Seattle, WA (US)
- (**) Term: **15 Years**
- (21) Appl. No.: **29/694,648**
- (22) Filed: **Jun. 12, 2019**
- (51) **LOC (13) Cl.** **21-01**
- (52) **U.S. Cl.**
USPC **D21/333**
- (58) **Field of Classification Search**
USPC D21/324, 333; D14/218, 356, 387, 388, D14/389, 390, 399-406, 412-416, 426, D14/429, 443, 448, 449, 450, 454, 471, D14/496, 511; D12/174, 177; D13/164-168
CPC A63F 13/00; A63F 13/10; A63F 13/02; A63F 13/06; A63F 13/04; A63F 13/22; A63F 13/24; A63F 13/40; A63F 13/98
See application file for complete search history.

D816,674 S *	5/2018	Wu	D14/401
D819,641 S *	6/2018	Tsuchiya	D14/401
D847,904 S *	5/2019	Chatterjee	D21/333
D849,147 S *	5/2019	Strahle	D21/333
D867,460 S *	11/2019	Yan	D21/333
D871,505 S *	12/2019	Wang	D21/333
D872,183 S *	1/2020	Chatterjee	D21/333
D878,475 S *	3/2020	Jetter	D21/333
D885,387 S *	5/2020	Hu	D14/401

OTHER PUBLICATIONS

Korean Office Action dated May 6, 2020 for Korean Patent Application No. 30-2019-56670, a counterpart of U.S. Appl. No. 29/694,648, 2 pages.

* cited by examiner

Primary Examiner — Sandra Snapp
Assistant Examiner — Mehri Bajoul
(74) *Attorney, Agent, or Firm* — Lee & Hayes, P.C.

(57) **CLAIM**

The ornamental design for a game controller, as shown and described.

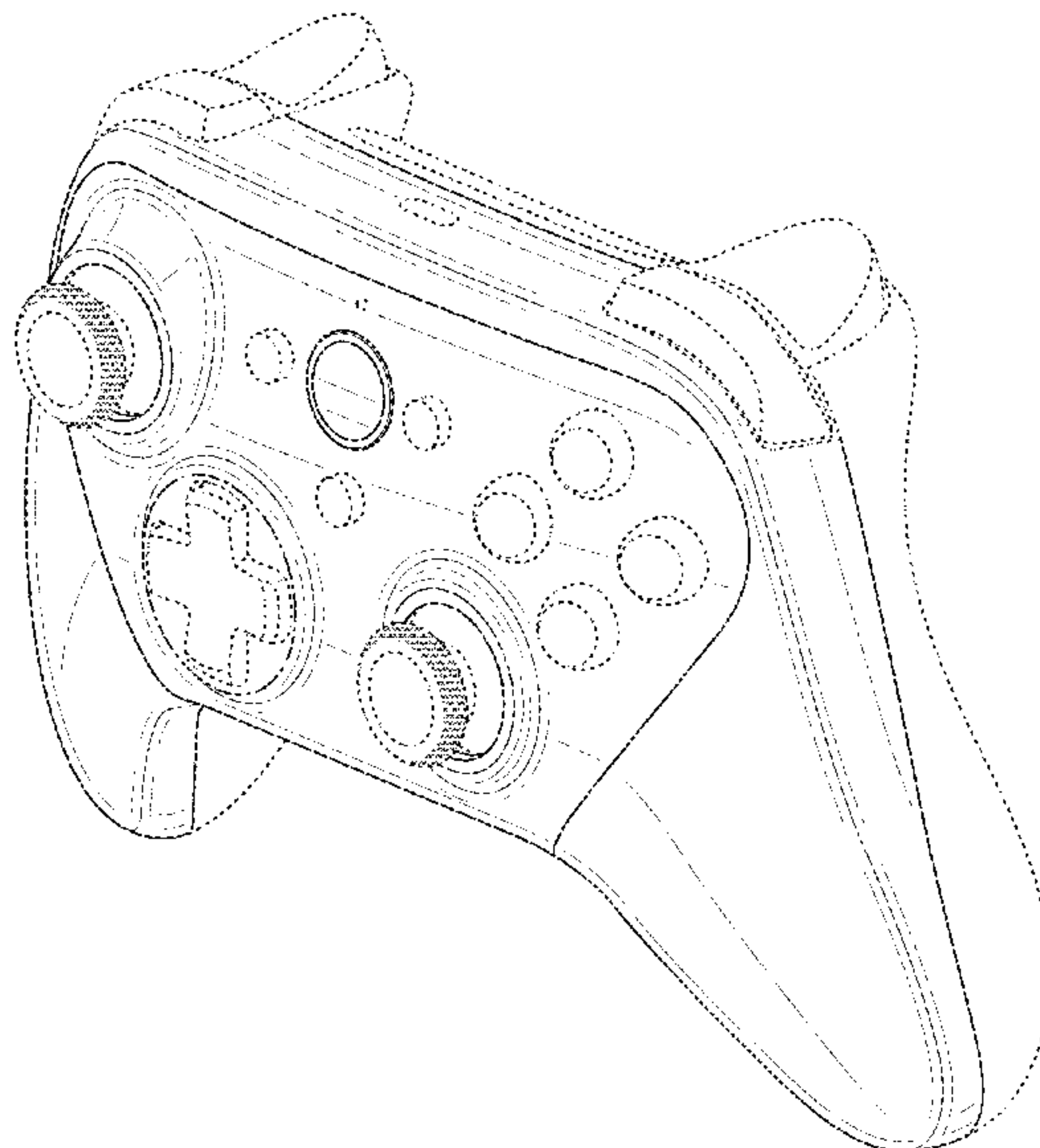
DESCRIPTION

FIG. 1 is a top, right perspective view of a game controller; FIG. 2 is a bottom, left perspective view thereof; FIG. 3 is a top view thereof; FIG. 4 is a bottom view thereof; FIG. 5 is a left-side view thereof; FIG. 6 is a right-side view thereof; FIG. 7 is a front view thereof; and, FIG. 8 is a back view thereof.

The dashed broken lines depict portions of the game controller that form no part of the claimed design. The short-long dashed broken lines represent boundaries of the claimed game controller and form no part of the claimed design.

1 Claim, 8 Drawing Sheets

- (56) **References Cited**
U.S. PATENT DOCUMENTS
D715,865 S * 10/2014 Morris D21/333
D766,902 S * 9/2016 Bellinghausen D14/401
D768,786 S * 10/2016 Seflic D21/333
D794,129 S * 8/2017 Kujawski D21/333
D801,893 S * 11/2017 Simoens D12/174
D806,078 S * 12/2017 Goldman D14/401
D816,170 S * 4/2018 Chatterjee D21/333



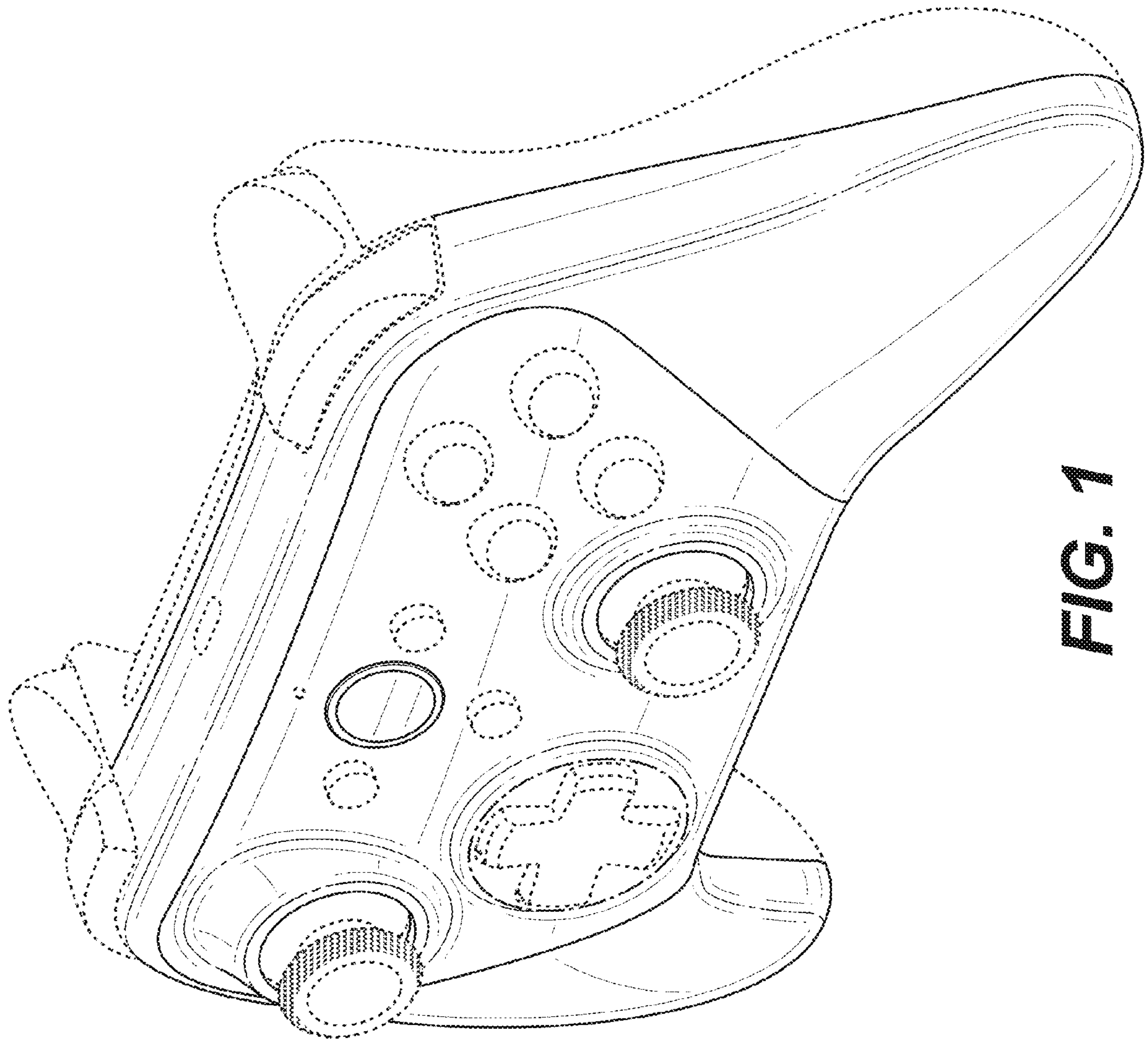


FIG. 1

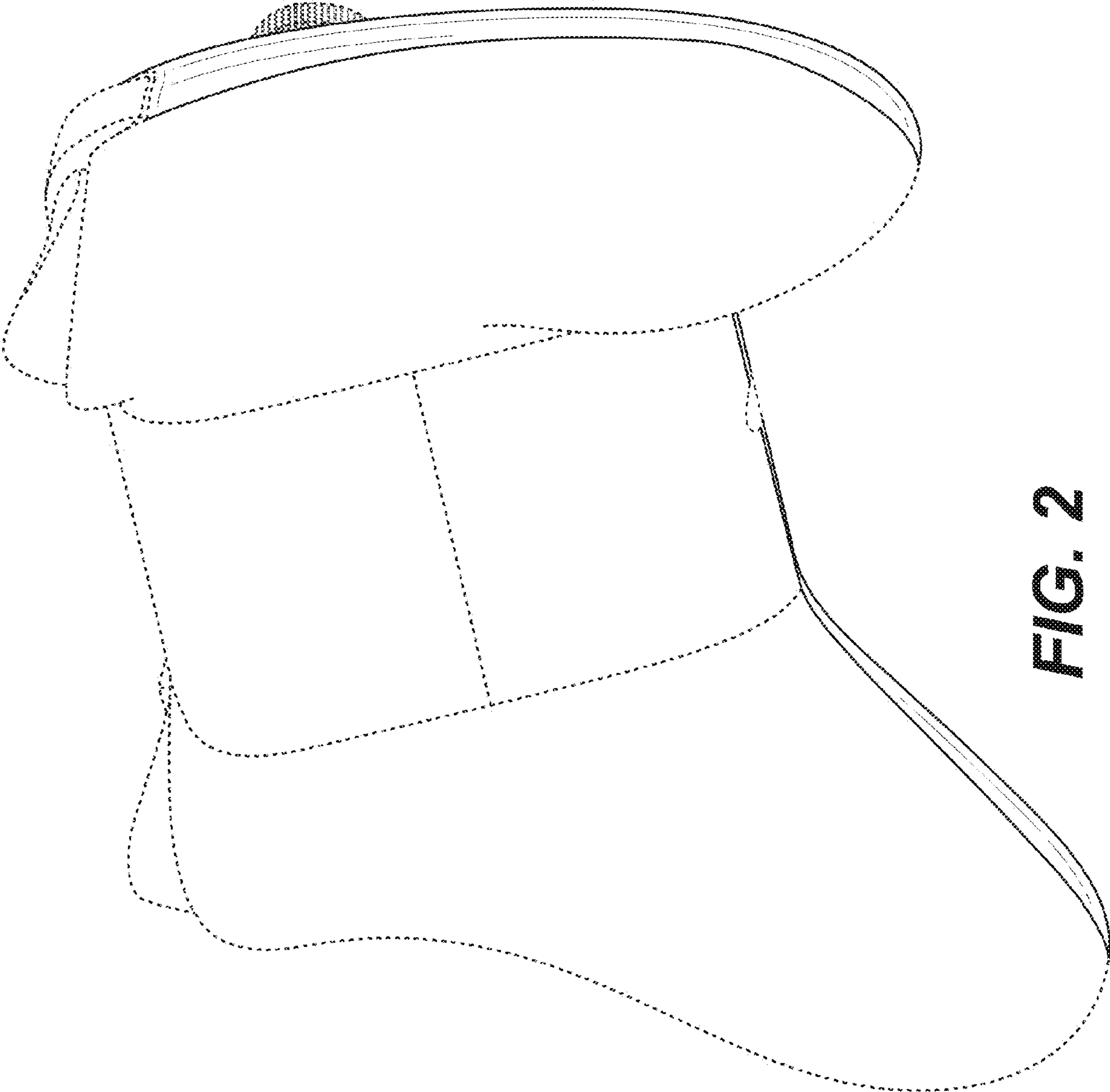


FIG. 2

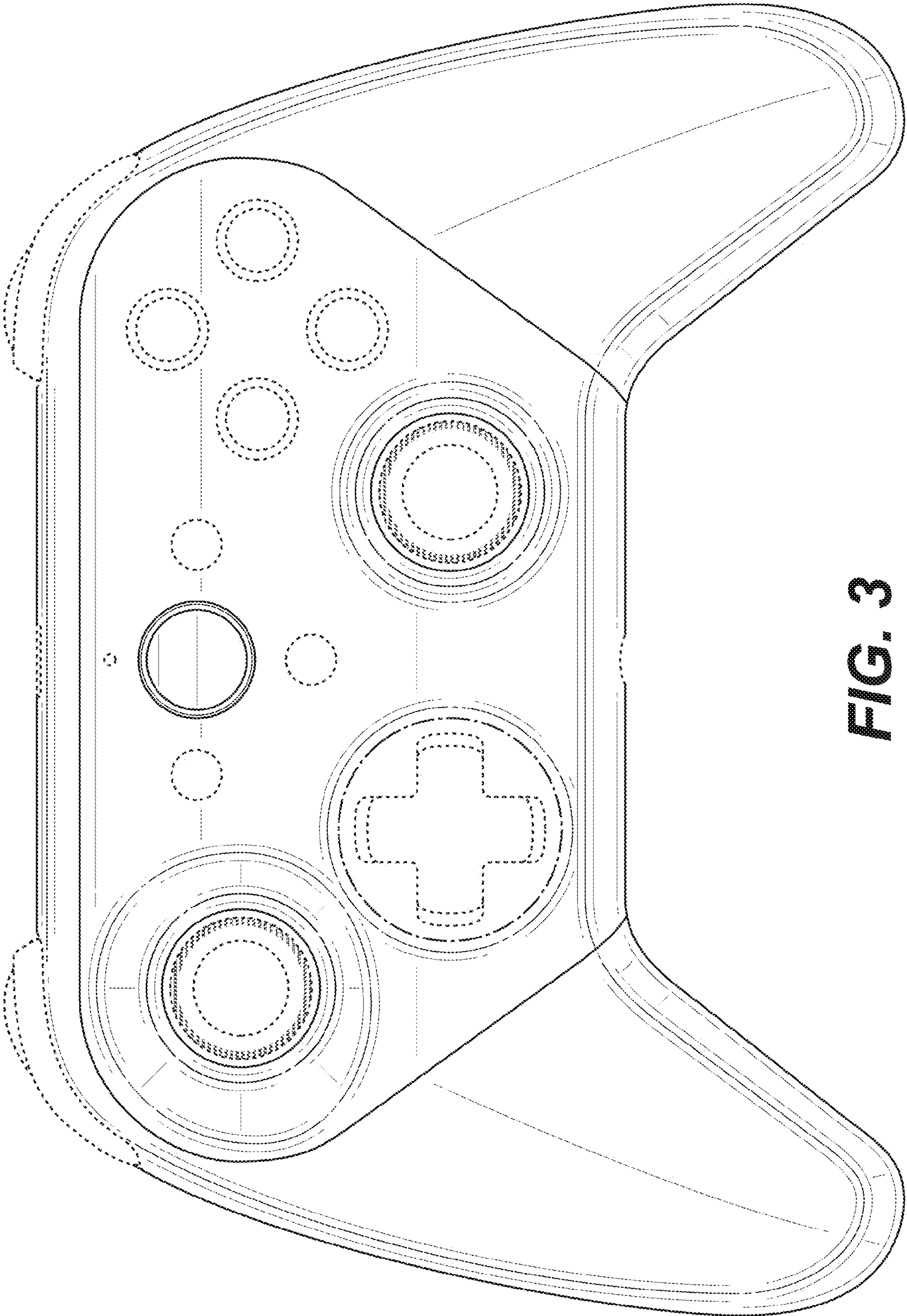


FIG. 3

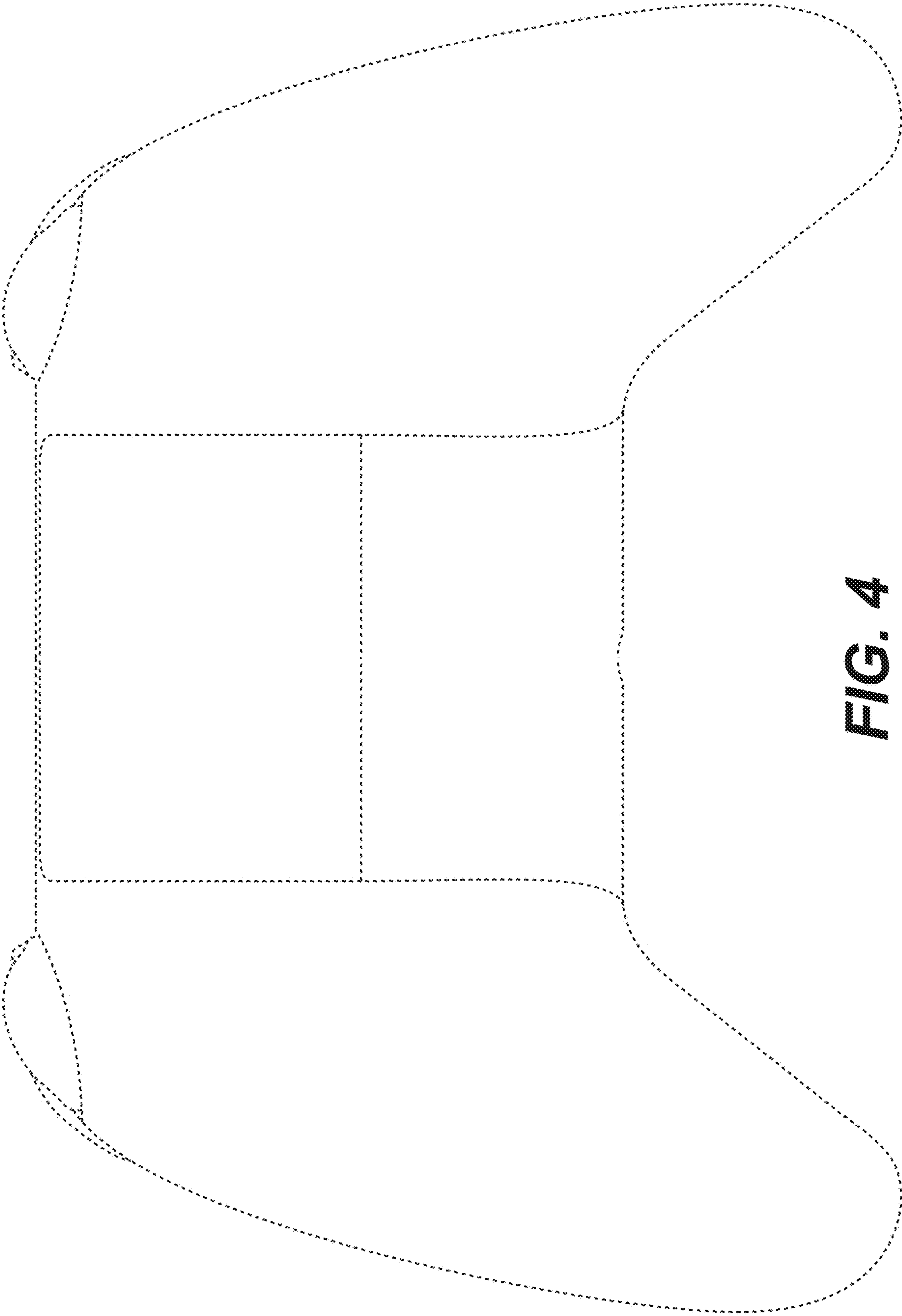


FIG. 4

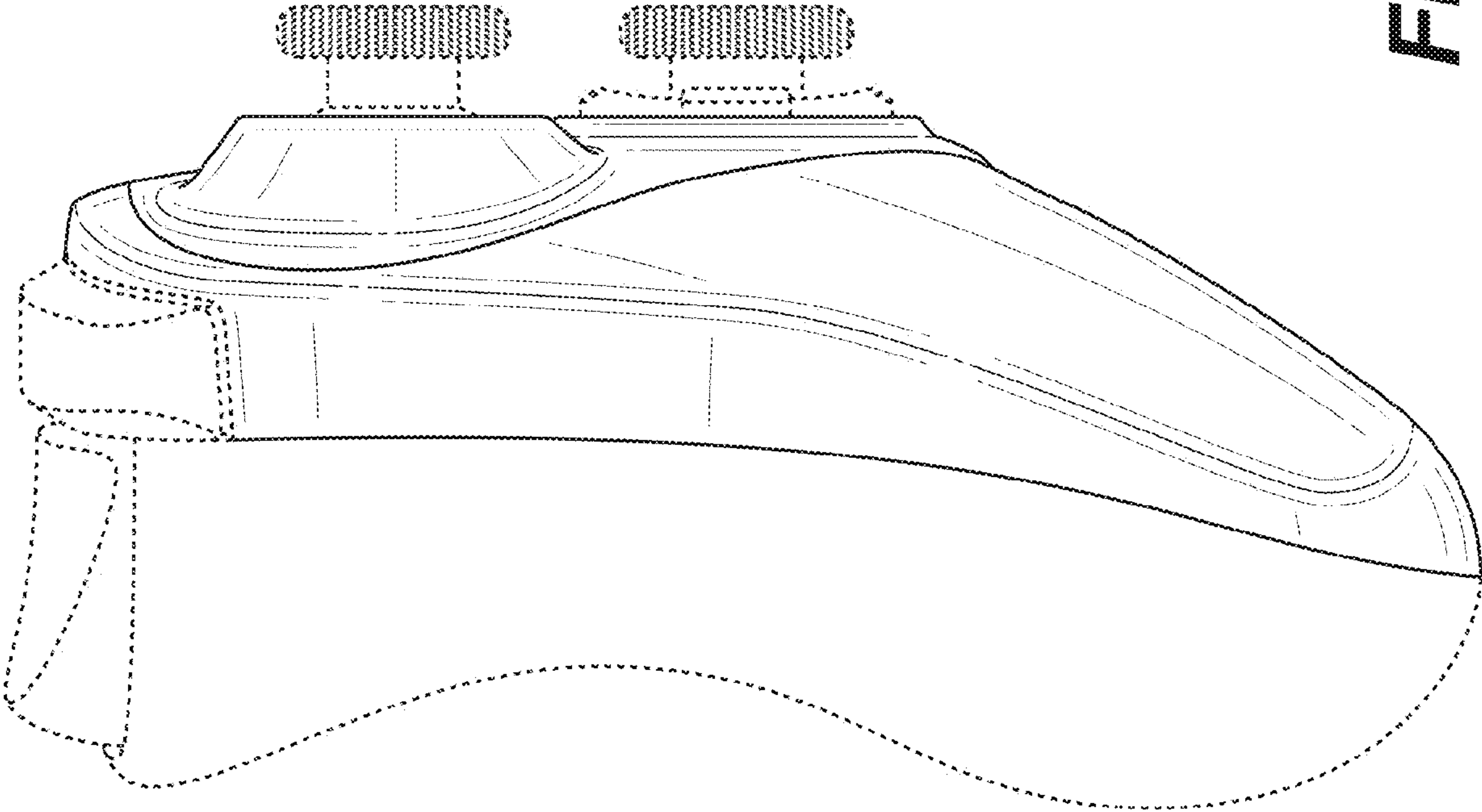


FIG. 5

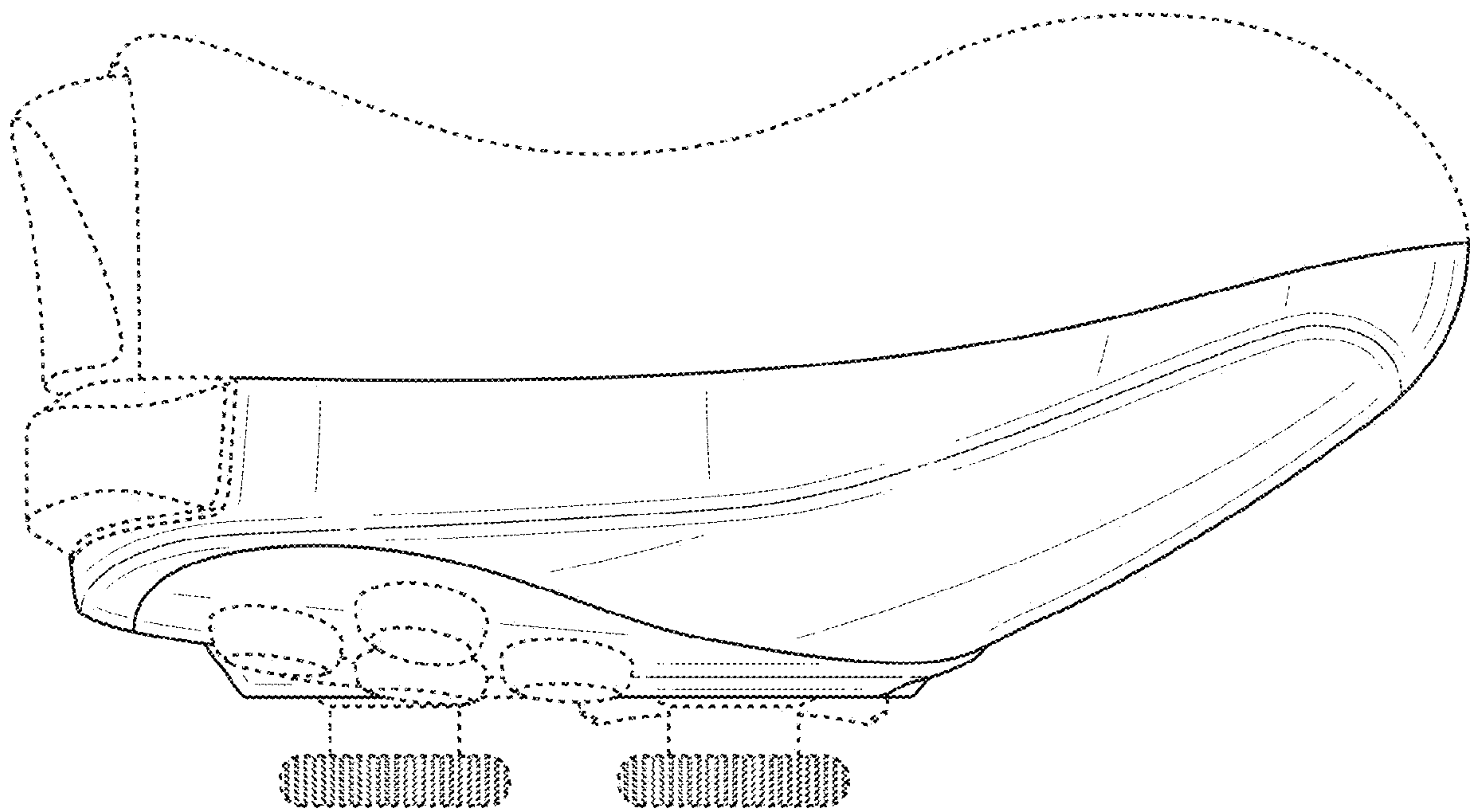


FIG. 6

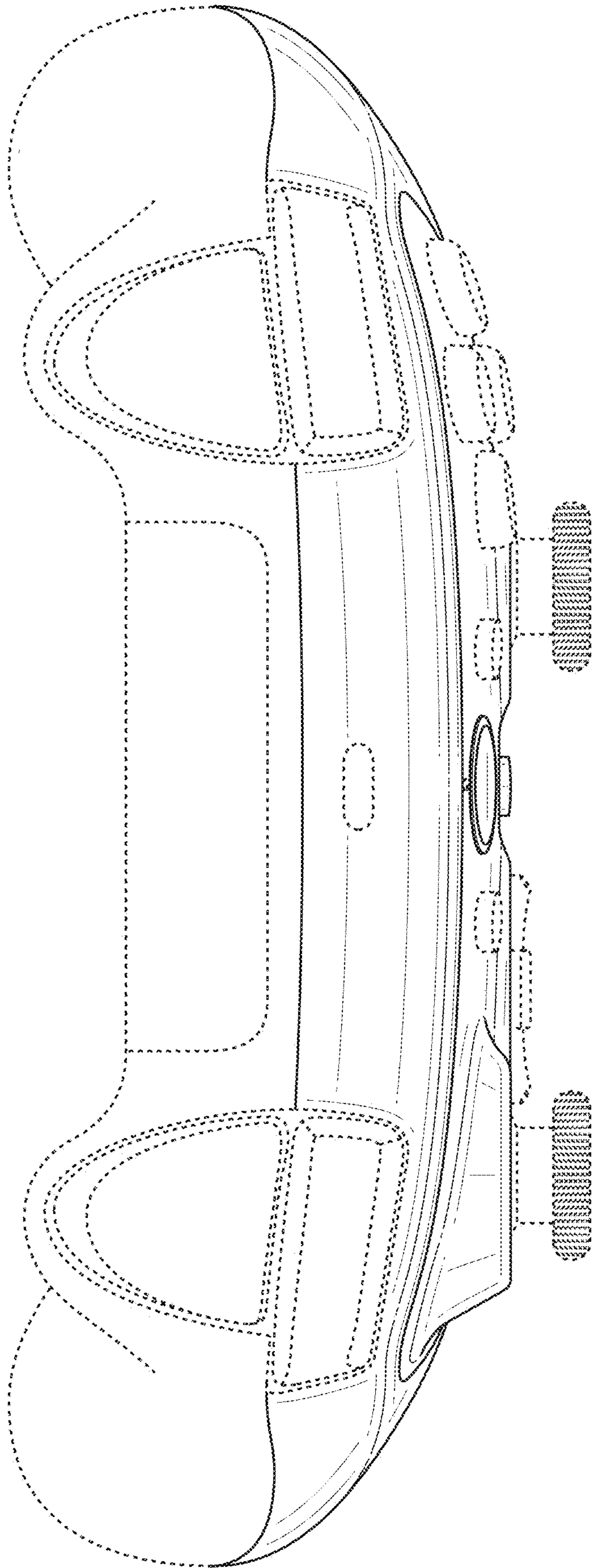


FIG. 7

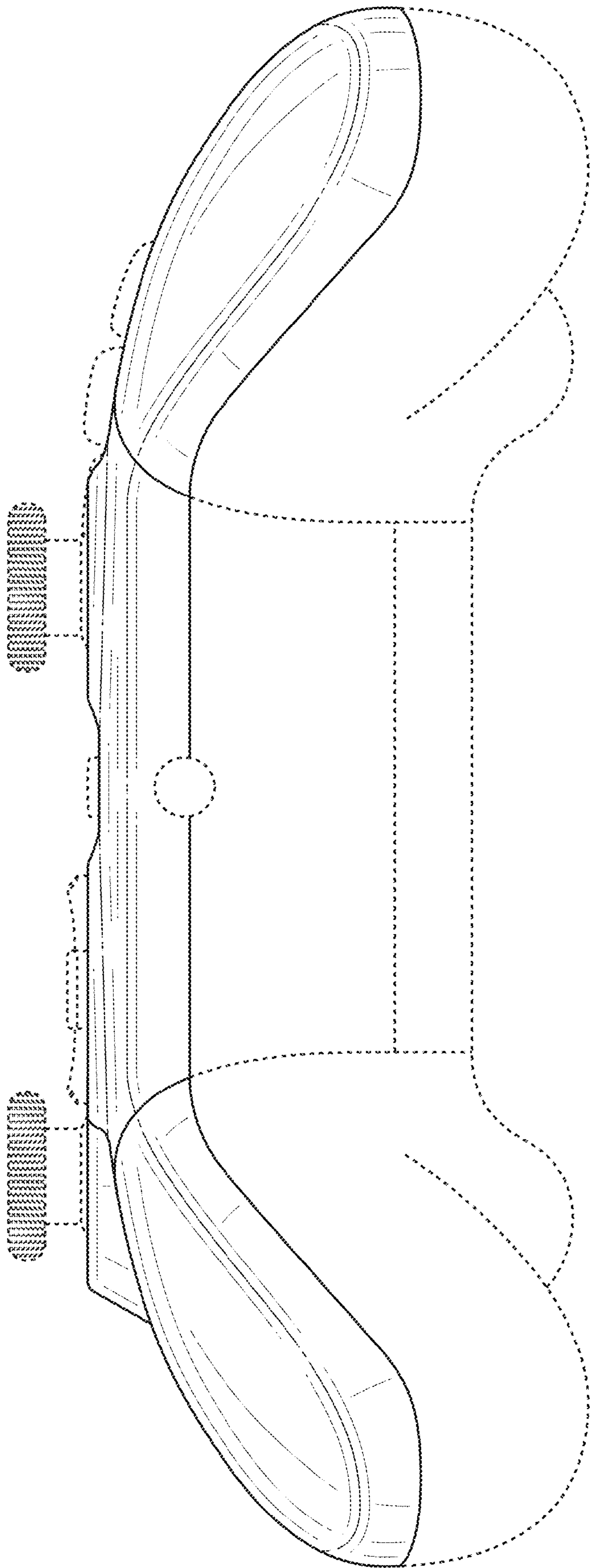


FIG. 8