



US00D928234S

(12) **United States Design Patent** (10) **Patent No.:** **US D928,234 S**
Hsu et al. (45) **Date of Patent:** **** Aug. 17, 2021**

(54) **THUMBSTICK ATTACHMENT INTERFACE**

FOREIGN PATENT DOCUMENTS

(71) Applicant: **Microsoft Corporation**, Redmond, WA (US)

JP 1549310 S 5/2016

(72) Inventors: **Elliott Hsu**, Seattle, WA (US); **Joshua P. Weiher**, Seattle, WA (US); **Dan Thorstenson**, Seattle, WA (US); **Jonathan Shea Robinson**, Seattle, WA (US); **Aaron Schmitz**, Seattle, WA (US); **Dustin Tiffany**, Woodinville, WA (US)

OTHER PUBLICATIONS

“Office Action Issued in Mexican Patent Application No. MX/f/2019/003155”, dated Feb. 4, 2020, 4 pages.

(Continued)

(73) Assignee: **Microsoft Corporation**, Redmond, WA (US)

Primary Examiner — Sandra Snapp

Assistant Examiner — Mehri Bajoul

(74) *Attorney, Agent, or Firm* — Banner & Witcoff, Ltd.

(**) Term: **15 Years**

(57) **CLAIM**

(21) Appl. No.: **29/691,032**

The ornamental design for a thumbstick attachment interface, as shown and described.

(22) Filed: **May 13, 2019**

(51) **LOC (13) Cl.** **21-01**

(52) **U.S. Cl.**
USPC **D21/333**

DESCRIPTION

(58) **Field of Classification Search**
USPC D21/324, 328, 333, 566; D14/203.1, D14/203.2, 356, 400, 401, 412–417, D14/454–456, 483, 507; D12/174, 177; D13/103, 108, 158, 164–168; D15/28, D15/147, 199
CPC A63F 13/00; A63F 13/10; A63F 13/02; A63F 13/06; A63F 13/04; A63F 9/00; G06F 17/00; G06F 19/00

FIG. 1 is a bottom front isometric view of a thumbstick attachment interface showing our new design; FIG. 2 is a top front isometric view thereof; FIG. 3 is a front view thereof; FIG. 4 is a rear view thereof; FIG. 5 is a top view thereof; FIG. 6 is a bottom view thereof; FIG. 7 is a left side thereof; FIG. 8 is a right side view thereof; and, FIG. 9 is an enlarged view of the enclosed portion labeled as “FIG. 9” in FIG. 1.

See application file for complete search history.

The evenly-dashed broken lines showing the interior of the thumbstick attachment interface depict portions that form no part of the claimed design. The long-short dashed lines illustrate the designated magnified portion, in FIGS. 1 and 9, that form no part of the claimed design. The remaining broken lines showing of a game controller illustrate environmental structure and form no part of the claimed design.

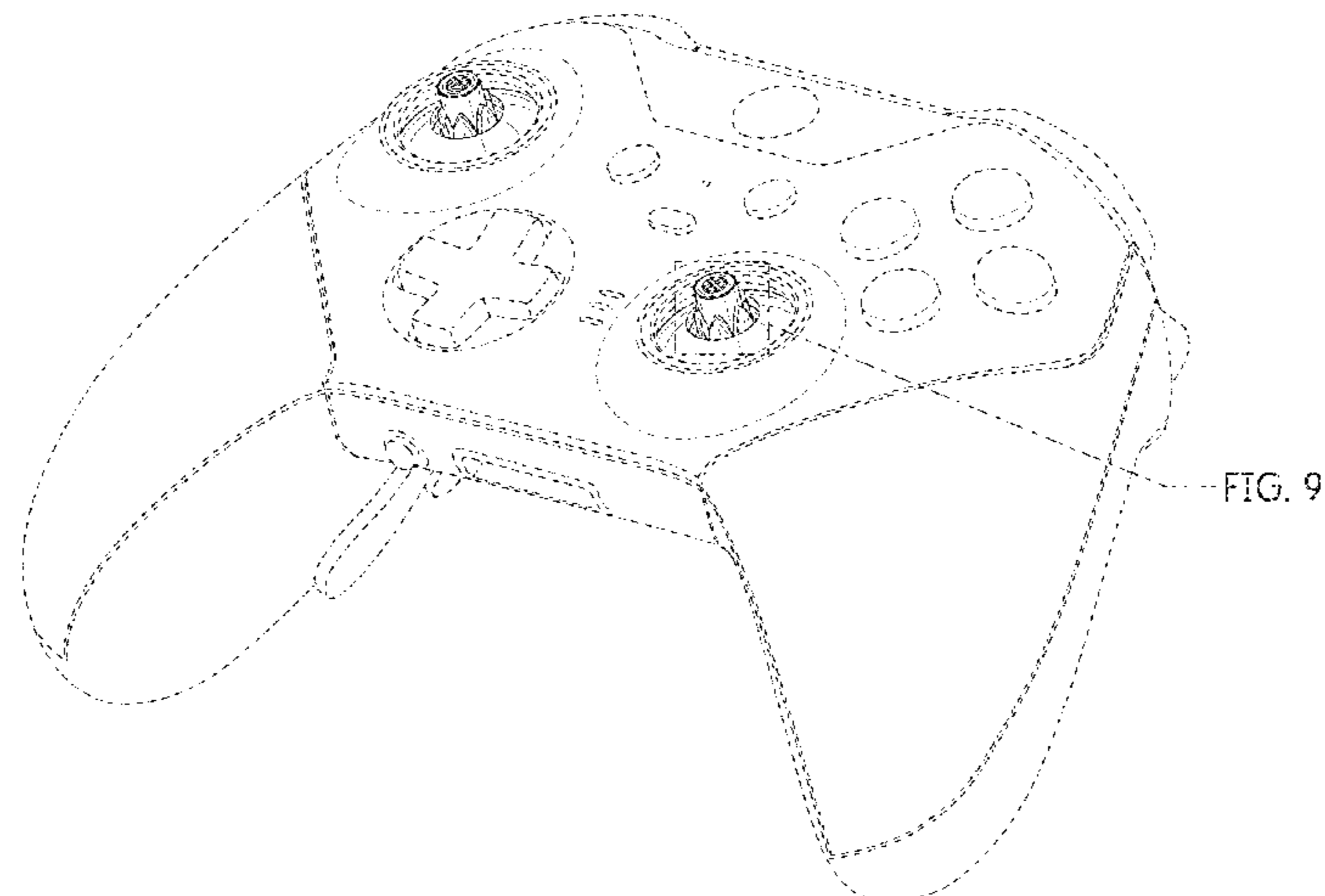
(56) **References Cited**

U.S. PATENT DOCUMENTS

D313,116 S 12/1990 Whitney
D357,576 S 4/1995 Steinweis
D467,922 S 12/2002 Lee
D501,848 S 2/2005 Uehara et al.
D558,767 S 1/2008 Solland
D608,784 S 1/2010 Biheller

(Continued)

1 Claim, 9 Drawing Sheets



(56)

References Cited

U.S. PATENT DOCUMENTS

D620,939 S 8/2010 Suetake et al.
 D627,831 S 11/2010 Tombazis
 D654,880 S 2/2012 Lam
 D678,284 S 3/2013 Coulter
 D692,003 S 10/2013 Coulter
 D693,346 S 11/2013 Coulter
 D694,239 S 11/2013 Coulter
 D694,830 S * 12/2013 Crowley D21/333
 D700,182 S 2/2014 Kidakarn
 D709,882 S * 7/2014 Morris D14/401
 D715,865 S * 10/2014 Morris D21/333
 D732,047 S 6/2015 Brouillette et al.
 D748,078 S 1/2016 Nardin et al.
 D750,179 S 2/2016 Foulkes et al.
 D760,228 S 6/2016 Asano
 D762,780 S 8/2016 Mistry et al.
 D762,781 S 8/2016 Mistry et al.
 D762,782 S 8/2016 Walker, II et al.
 D763,967 S 8/2016 Kujawski et al.
 D764,597 S 8/2016 Kujawski et al.
 D765,788 S 9/2016 Kujawski et al.
 D765,790 S * 9/2016 Chatterjee D21/333
 D766,376 S * 9/2016 Kujawski D21/333
 D767,038 S 9/2016 Kujawski et al.
 D767,684 S * 9/2016 Kujawski D21/333
 D768,784 S * 10/2016 Kujawski D21/333
 D772,987 S * 11/2016 Kujawski D21/333
 D772,988 S 11/2016 Kujawski et al.
 D773,561 S * 12/2016 Kujawski D21/333

D774,143 S 12/2016 Kujawski et al.
 D775,200 S 12/2016 Maitlen et al.
 D783,576 S * 4/2017 Bristol D14/217
 D786,830 S * 5/2017 Plattard D14/217
 D790,545 S 6/2017 Dannenberg et al.
 9,678,577 B1 * 6/2017 Rutledge H03K 17/97
 D793,808 S 8/2017 Weaden et al.
 D794,025 S * 8/2017 Kujawski D14/401
 D813,239 S 3/2018 Akana et al.
 D816,169 S 4/2018 Trujillo
 D844,716 S * 4/2019 Gan D21/566
 D850,495 S * 6/2019 Dubiel D15/28
 D867,179 S 11/2019 Akana et al.
 D884,077 S 5/2020 Trujillo
 D884,808 S 5/2020 Pacheco
 D889,550 S * 7/2020 Ironmonger D21/333
 2018/0207523 A1 7/2018 Lyden

OTHER PUBLICATIONS

Non Final Office Action Issued in U.S. Appl. No. 29/690,803, dated Aug. 7, 2020, 9 Pages.
 Examination Report Issued in Indian Patent Application No. 323475-001, dated Dec. 30, 2019, 2 Pages.
 Office Action Issued in Mexican Patent Application No. MX/f/2019/003138, dated Jan. 20, 2020, 4 Pages.
 Office Action Issued in Japanese Patent Application No. 2019-024958, dated Apr. 10, 2020, 4 Pages.
 "Office Action Issued in Malaysian Patent Application No. 19-01435-0101", dated Oct. 26, 2020, 2 Pages.

* cited by examiner

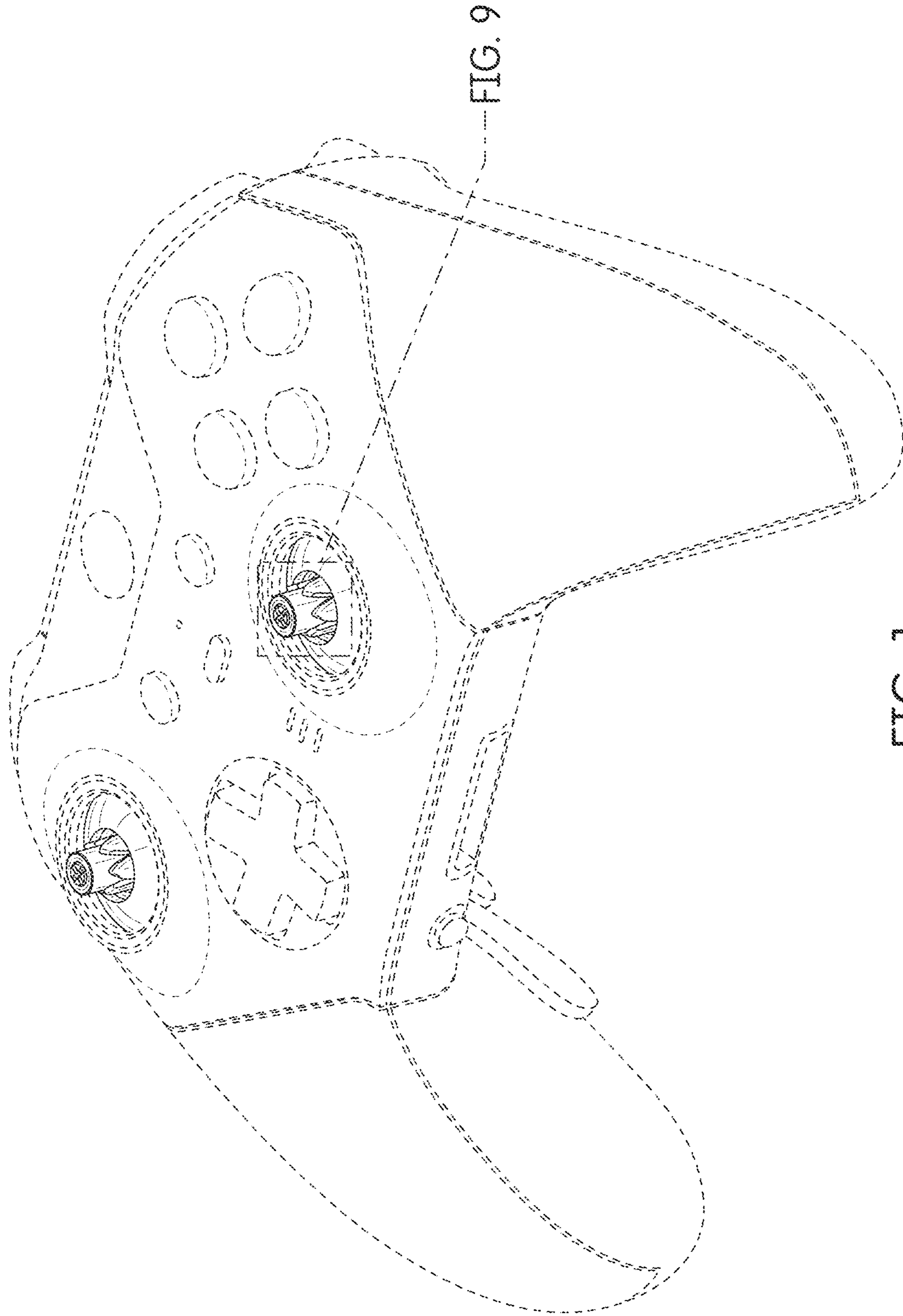


FIG. 9

FIG. 1

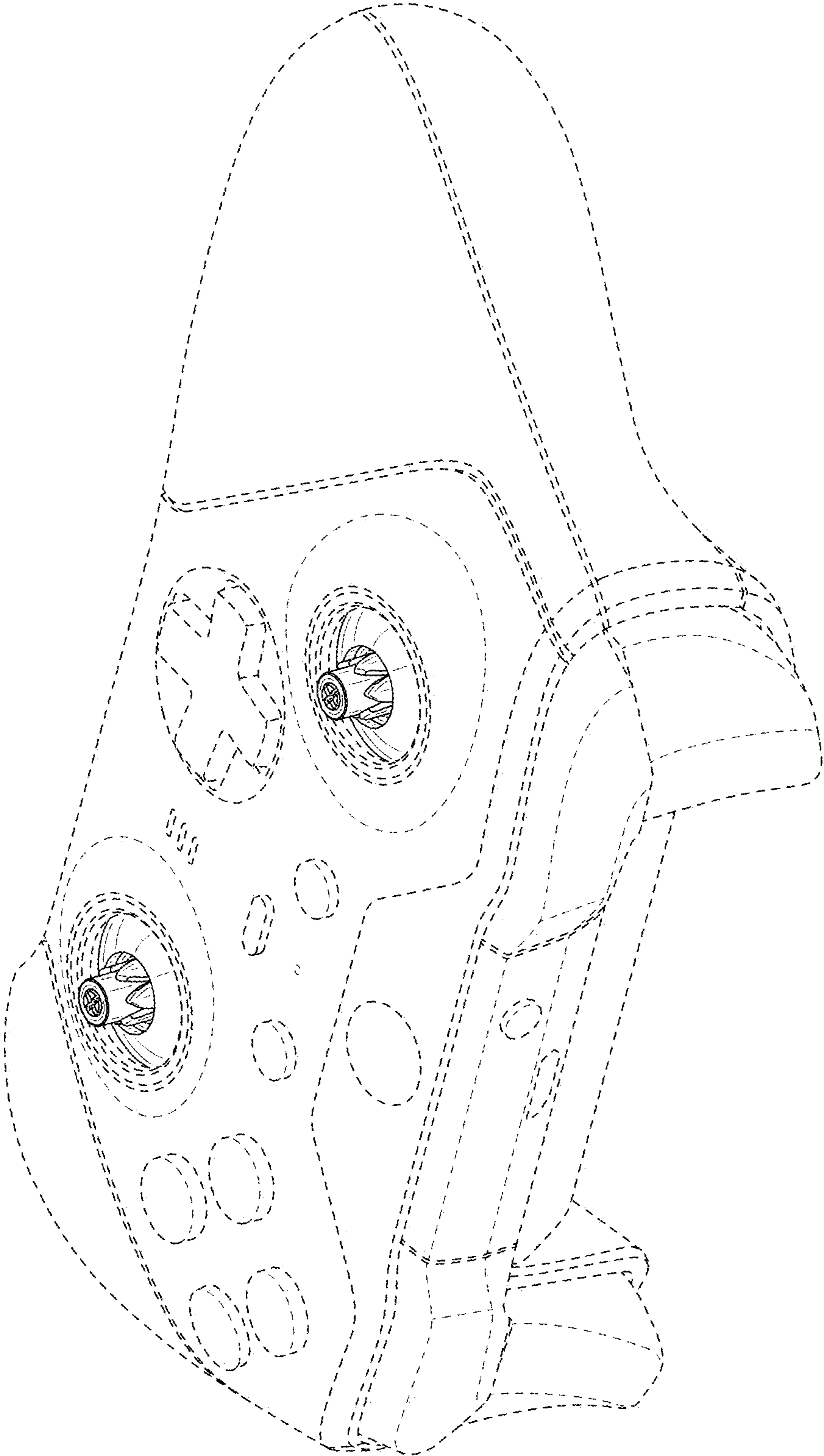


FIG. 2

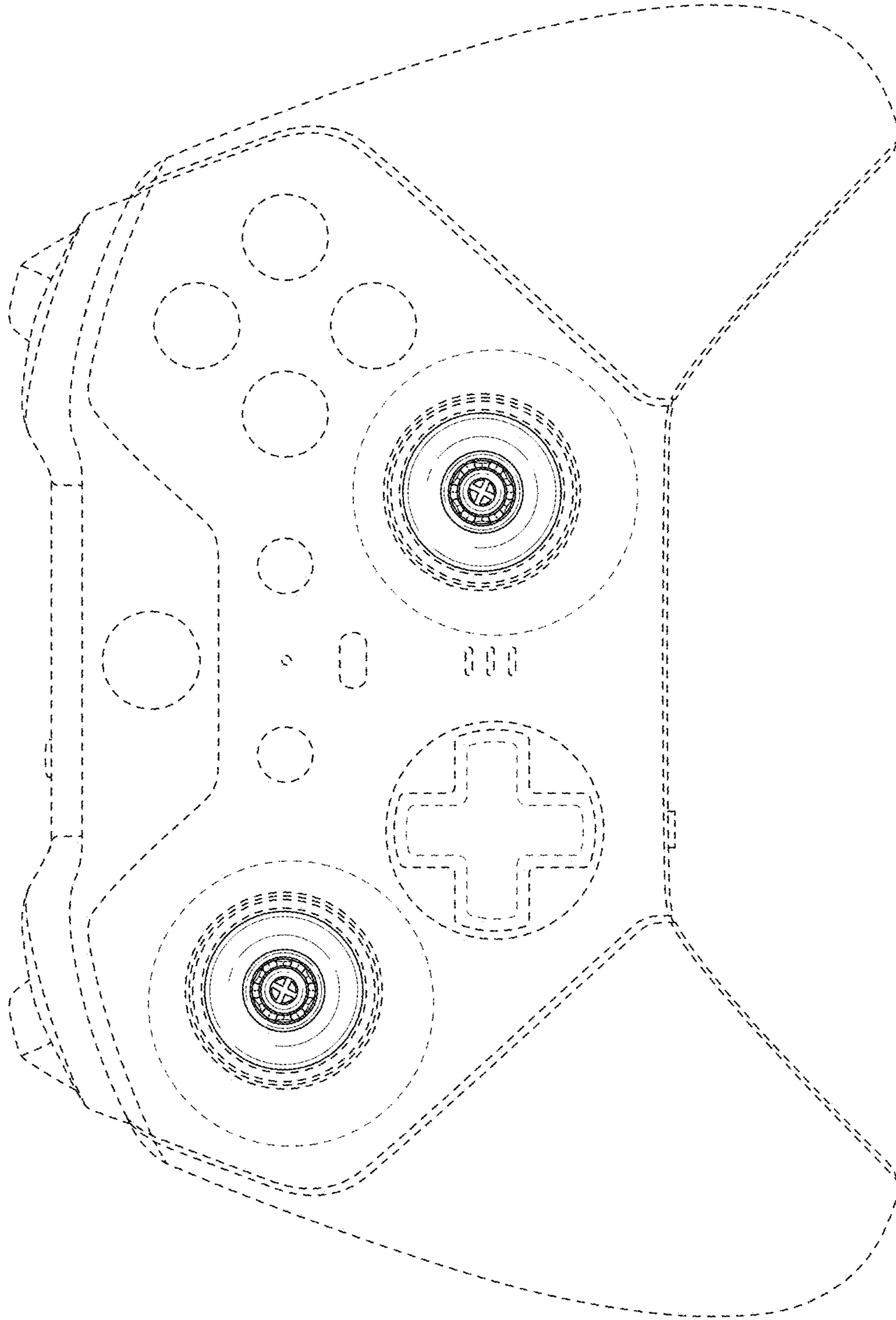


FIG. 3

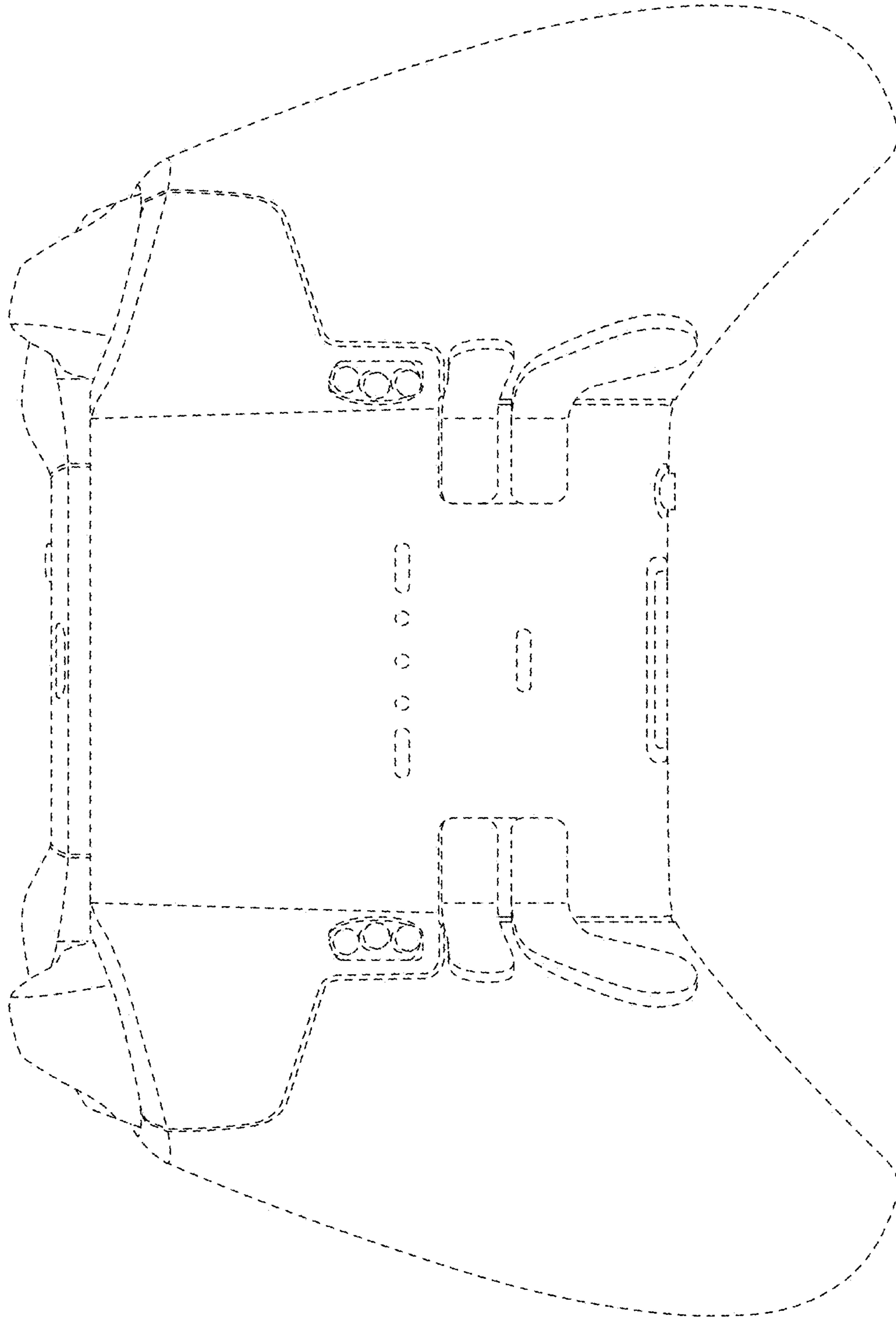


FIG. 4

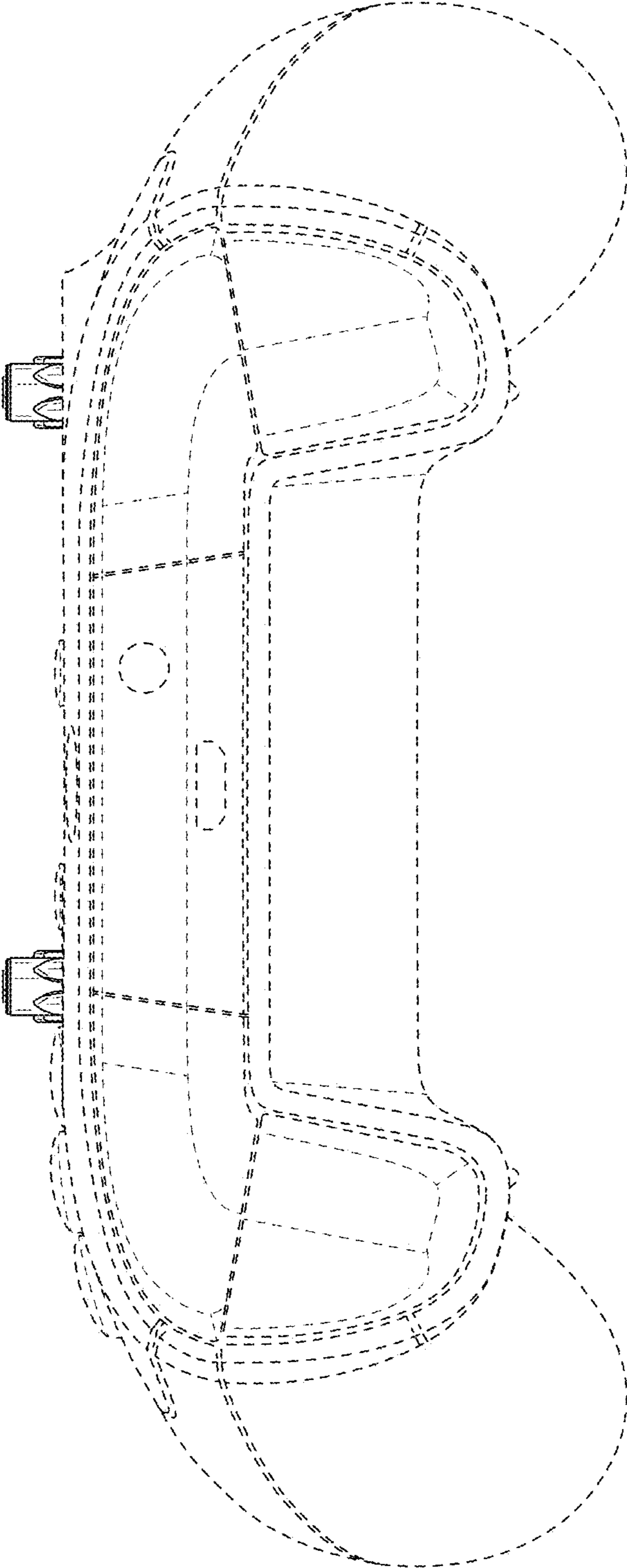


FIG. 5

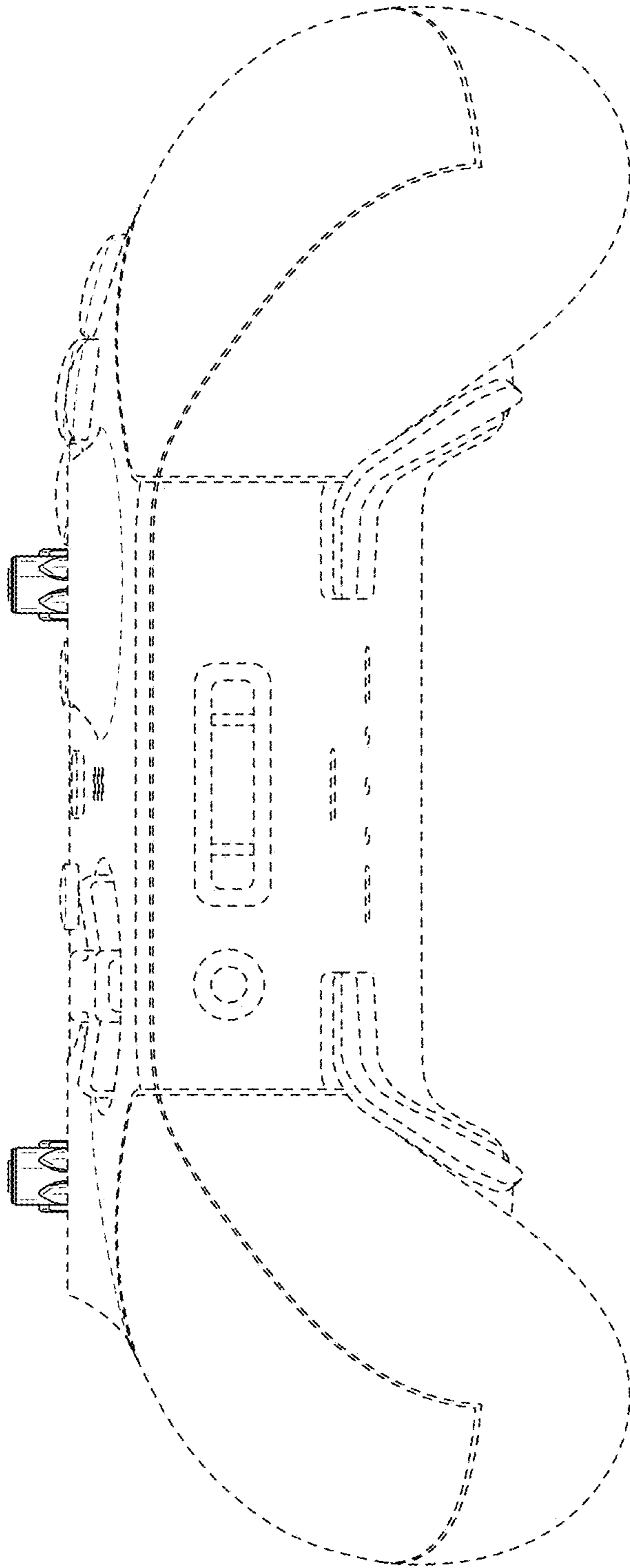


FIG. 6

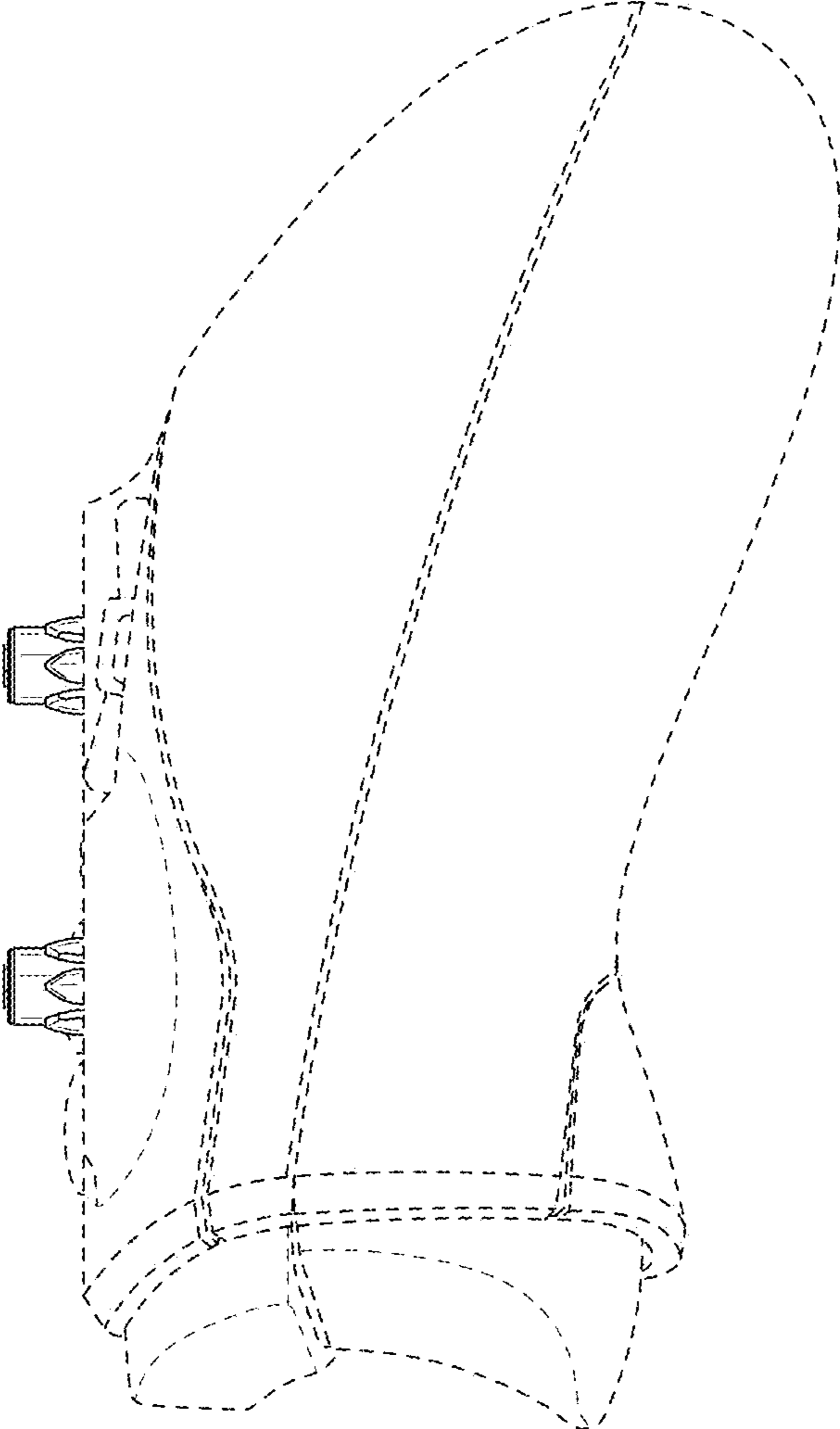


FIG. 7

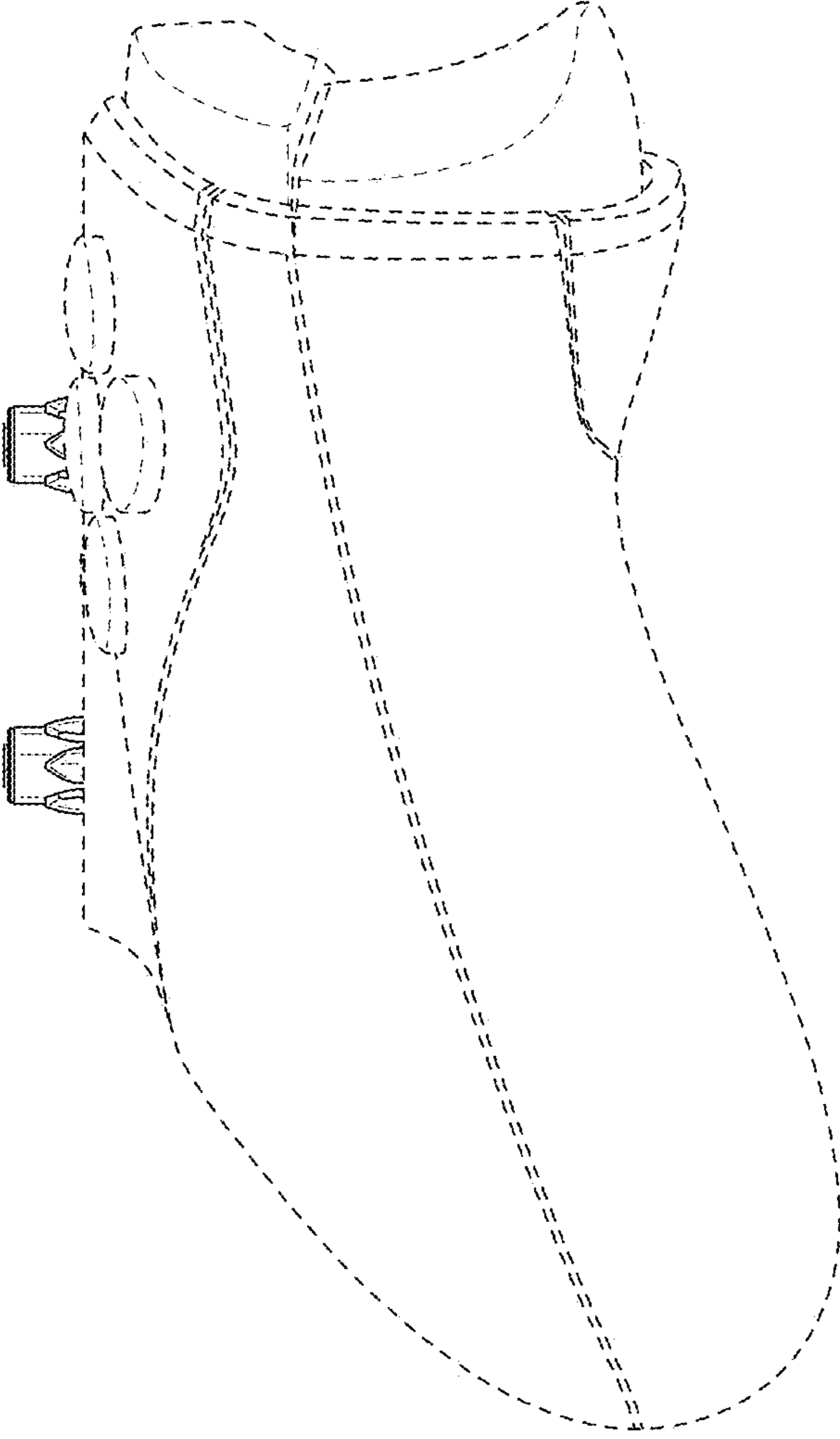


FIG. 8

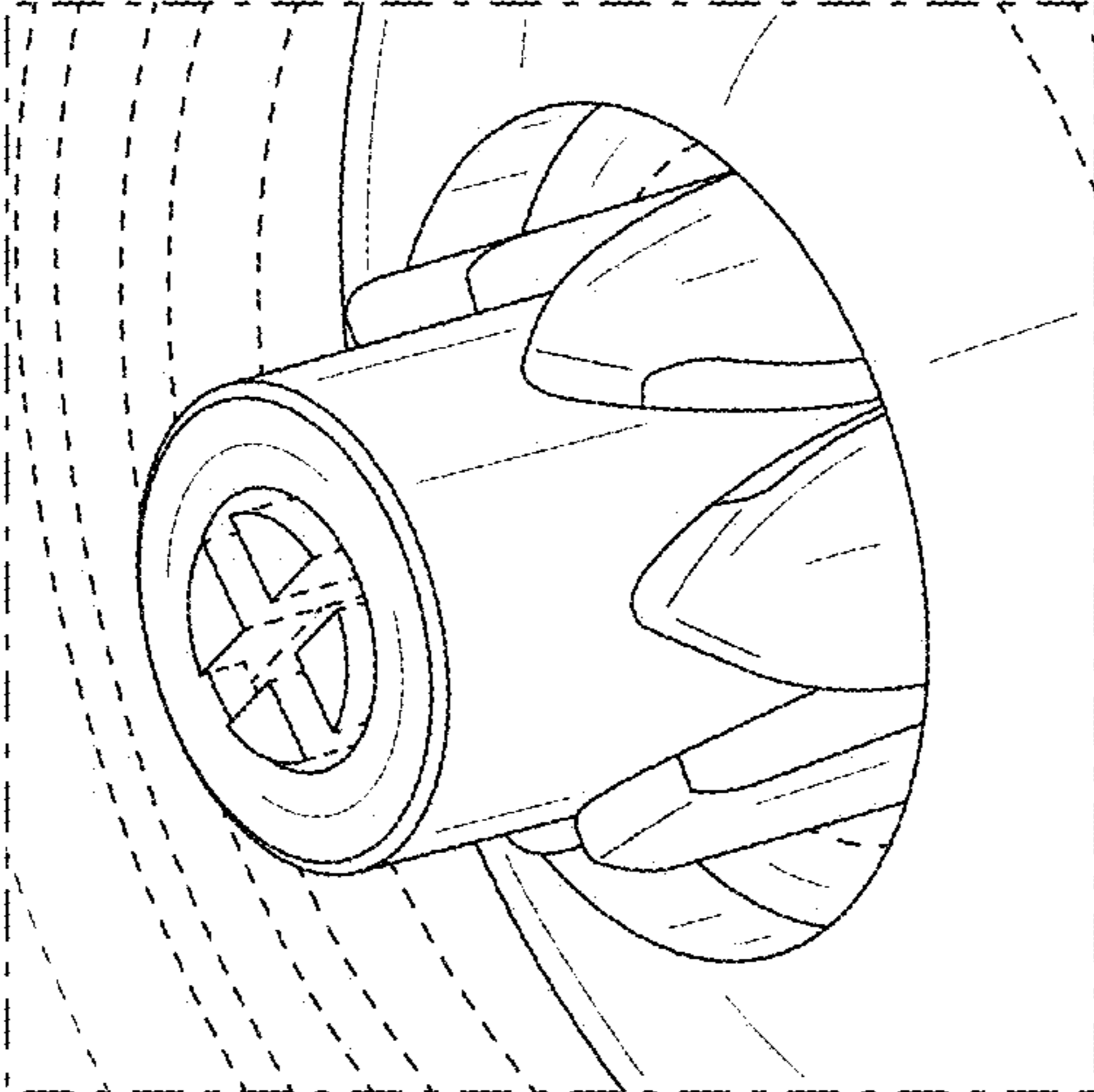


FIG. 9