



US00D928233S

(12) **United States Design Patent** (10) **Patent No.:** **US D928,233 S**
Park (45) **Date of Patent:** **** Aug. 17, 2021**

(54) **GAME CONSOLE**
(71) Applicant: **KOMUSE CO., LTD.**, Paju-si (KR)
(72) Inventor: **Ceongho Park**, Goyang-si (KR)
(73) Assignee: **KOMUSE CO., LTD.**, Paju-si (KR)
(**) Term: **15 Years**

D614,243 S * 4/2010 Inuyama D21/325
D619,177 S * 7/2010 Lee D21/325
D619,659 S * 7/2010 Damani D21/325
D638,479 S * 5/2011 Verstraeten D21/325
D762,778 S * 8/2016 Knesek D14/172
D794,716 S * 8/2017 Wei D21/325
D822,117 S * 7/2018 Costa D21/325
D835,196 S * 12/2018 Zelinka D21/325

(21) Appl. No.: **29/649,544**
(22) Filed: **May 31, 2018**
(51) **LOC (13) Cl.** **21-01**
(52) **U.S. Cl.**
USPC **D21/325**
(58) **Field of Classification Search**
USPC D21/324, 325, 327, 329, 332, 341, 342,
D21/397; 273/148 B; 447/448, 460;
463/29, 35
CPC .. A63F 3/00694; A63F 9/34; A63F 2009/345;
A47F 3/02
See application file for complete search history.

OTHER PUBLICATIONS

“Pixelcraft by Komuse”, posted Mar. 7, 2018 [online], [retrieved Mar. 6, 2020. Retrieved from internet, <https://www.youtube.com/watch?v=VSof4f4jlhc>.*
“Sega Pixelchase”, Page publication 2017 [online], [retrieved Mar. 6, 2020. Retrieved from internet, <https://www.segaarcade.com/games/pixel-chase.html>.*

* cited by examiner

Primary Examiner — Sandra Snapp
Assistant Examiner — Mehri Bajoul
(74) *Attorney, Agent, or Firm* — Rabin & Berdo, P.C.

(56) **References Cited**

U.S. PATENT DOCUMENTS

D246,918 S * 1/1978 Sauter D21/325
D248,885 S * 8/1978 Pogue D21/325
D278,160 S * 3/1985 Nutting D21/325
D352,738 S * 11/1994 Anghelo D21/325
D361,095 S * 8/1995 O'Donnell D21/325
D398,031 S * 9/1998 Campbell D21/324
D425,570 S * 5/2000 Otomi D21/325
D429,768 S * 8/2000 Smart D21/325
D438,260 S * 2/2001 Isetani D21/325
D472,279 S * 3/2003 Kim D21/327
D496,407 S * 9/2004 Gadda D21/325
D570,922 S * 6/2008 Reetz D21/325
D596,677 S * 7/2009 Tsuda D21/325
D605,232 S * 12/2009 Nagamatsu D21/325
D608,396 S * 1/2010 Wang D21/325
D611,550 S * 3/2010 Hatanaka D21/325

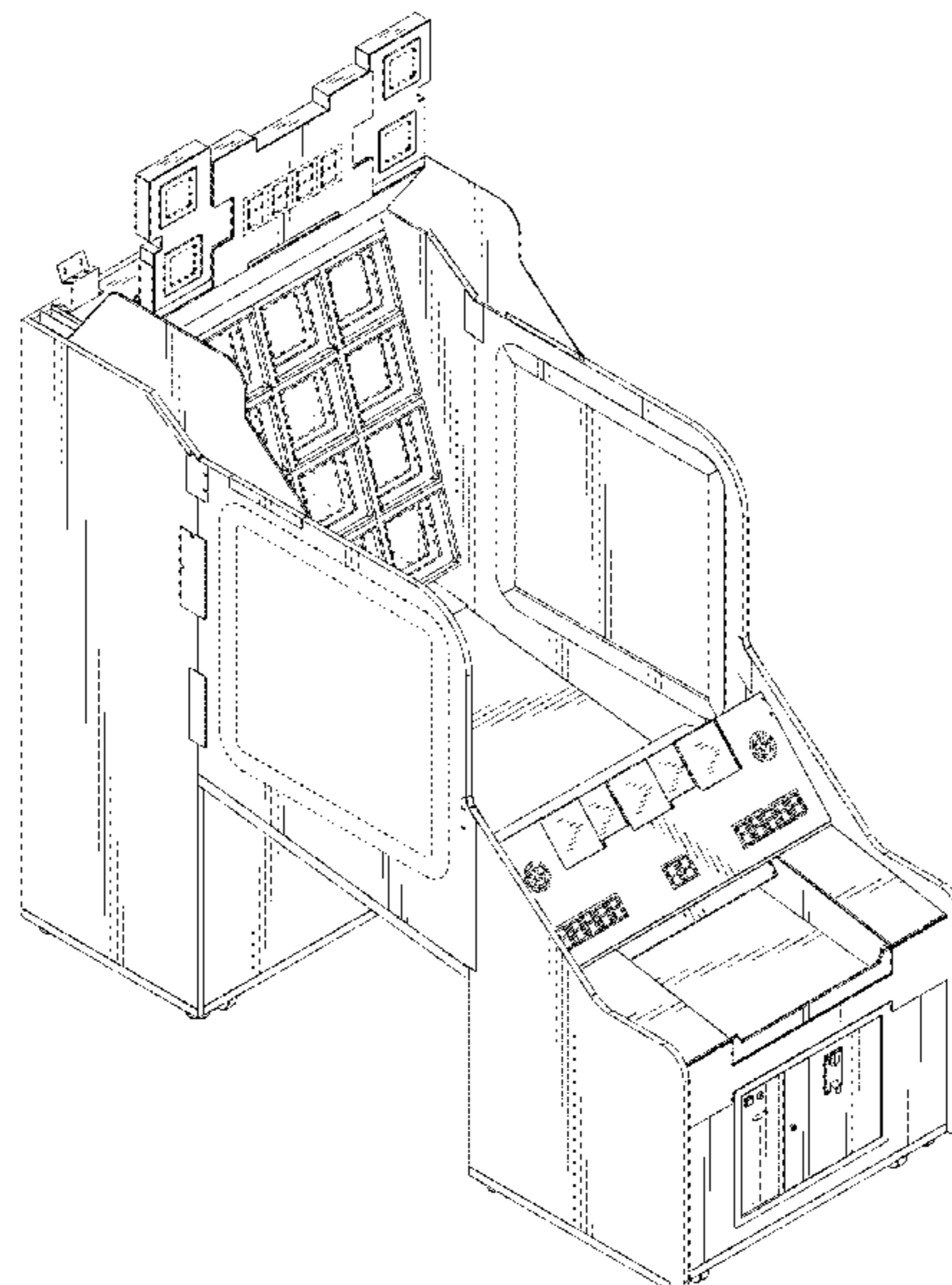
(57) **CLAIM**

The ornamental design for a game console, as shown and described.

DESCRIPTION

FIG. 1 is a perspective view of a game console showing my new design;
FIG. 2 is a front elevational view thereof;
FIG. 3 is a rear elevational view thereof;
FIG. 4 is a left side elevational view thereof;
FIG. 5 is a right side elevational view thereof;
FIG. 6 is a top view thereof; and,
FIG. 7 is a bottom view thereof.
The broken lines depict portions of the game console that form no part of the claimed design.

1 Claim, 7 Drawing Sheets



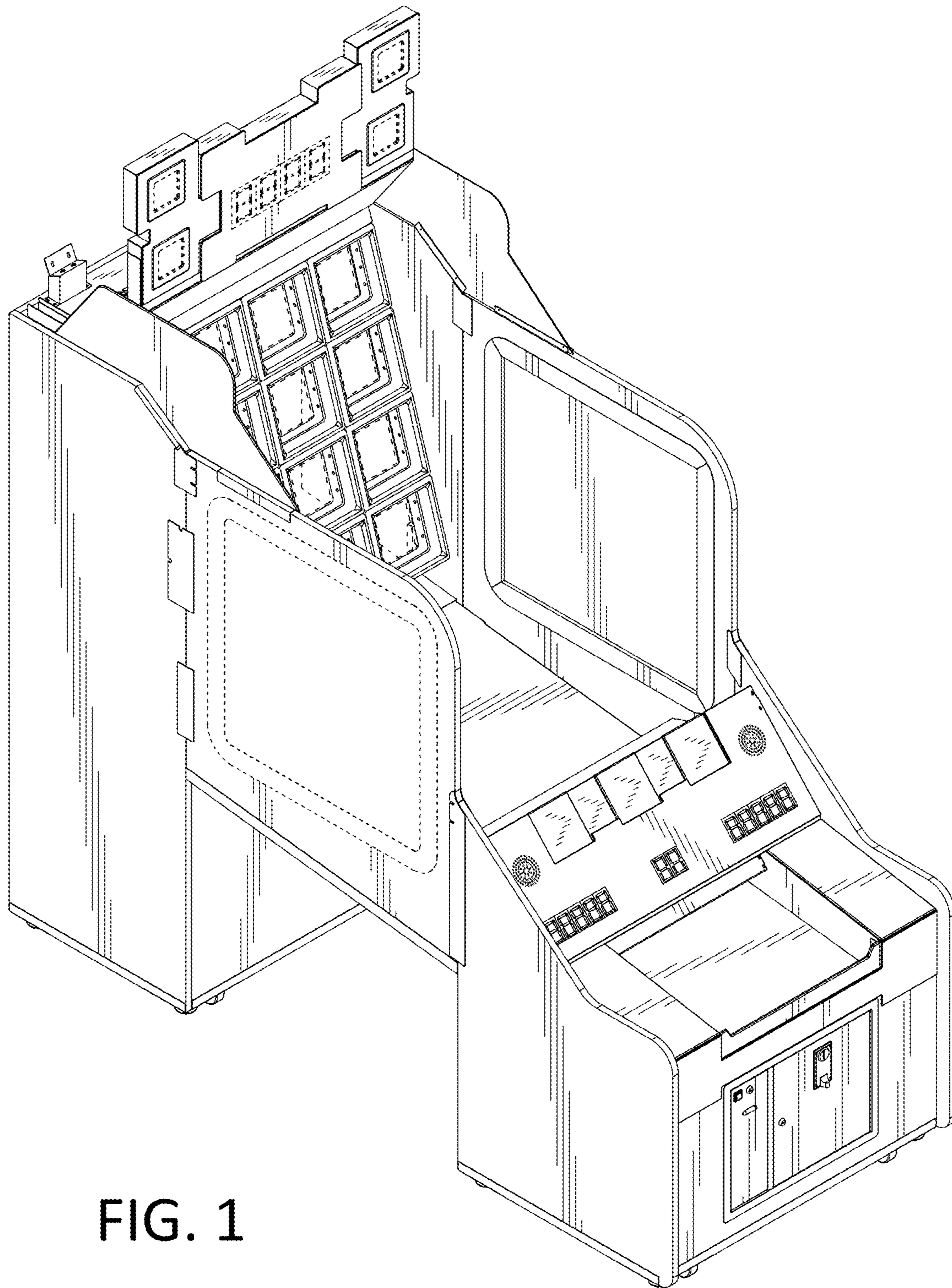


FIG. 1

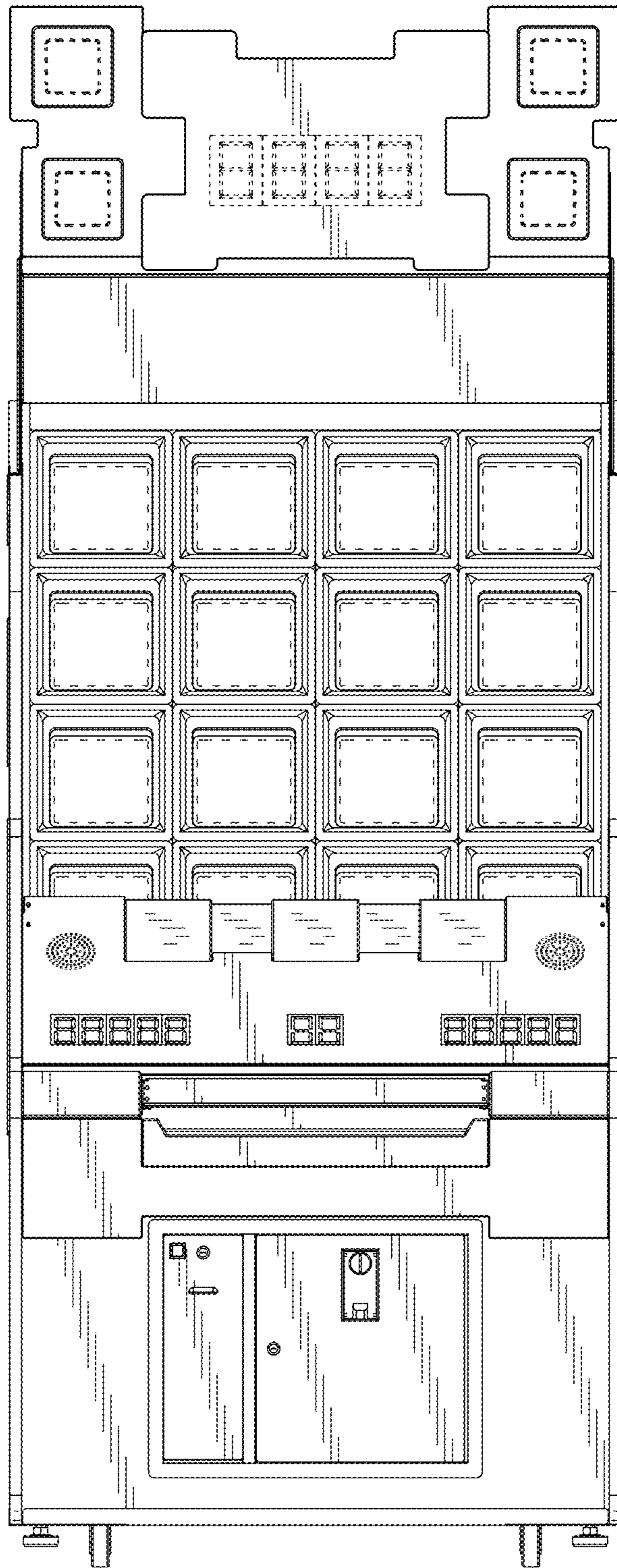


FIG. 2

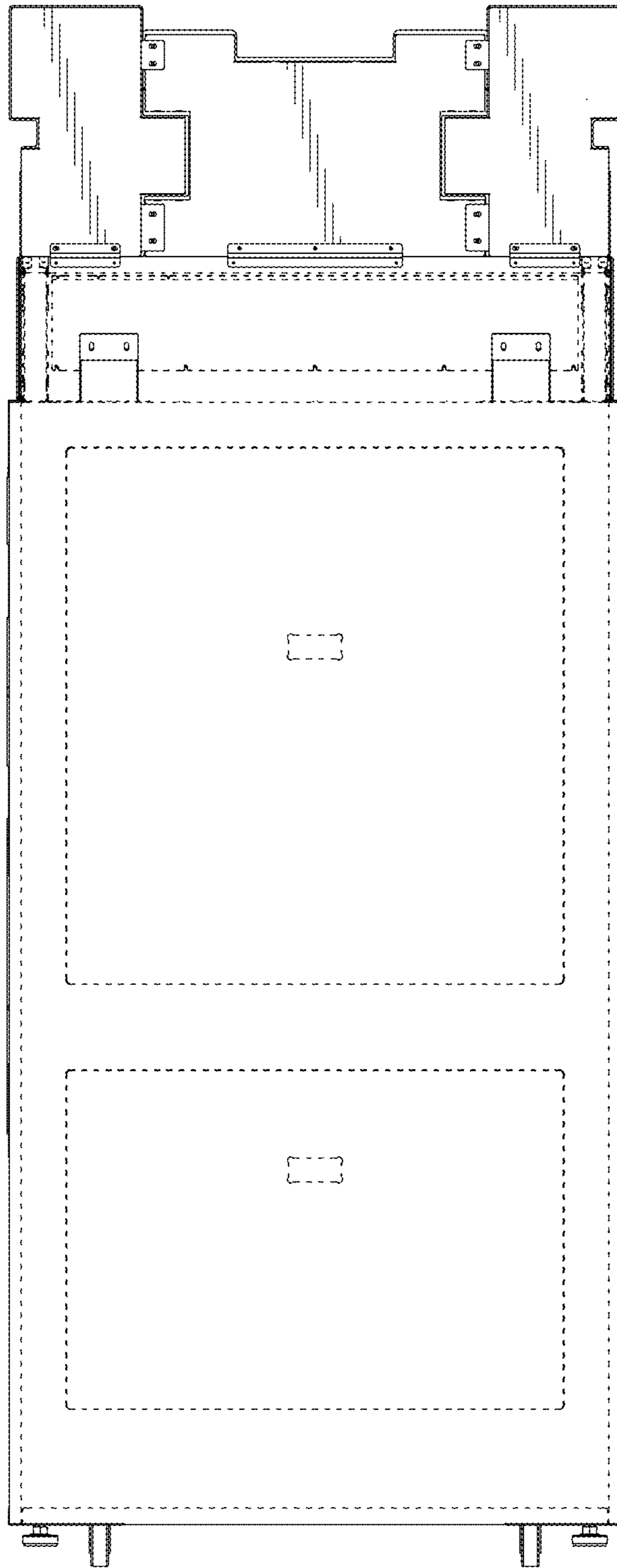


FIG. 3

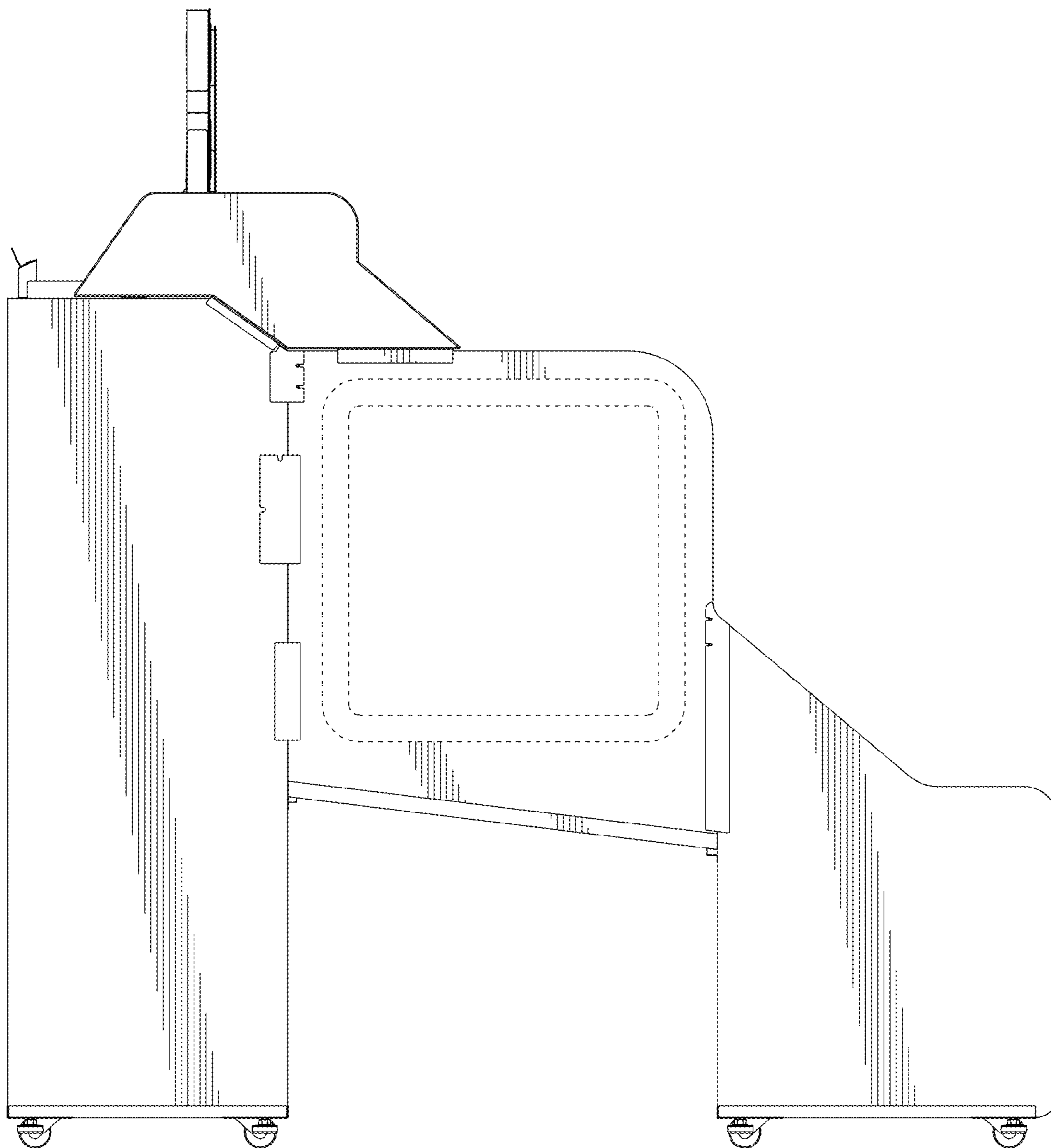


FIG. 4

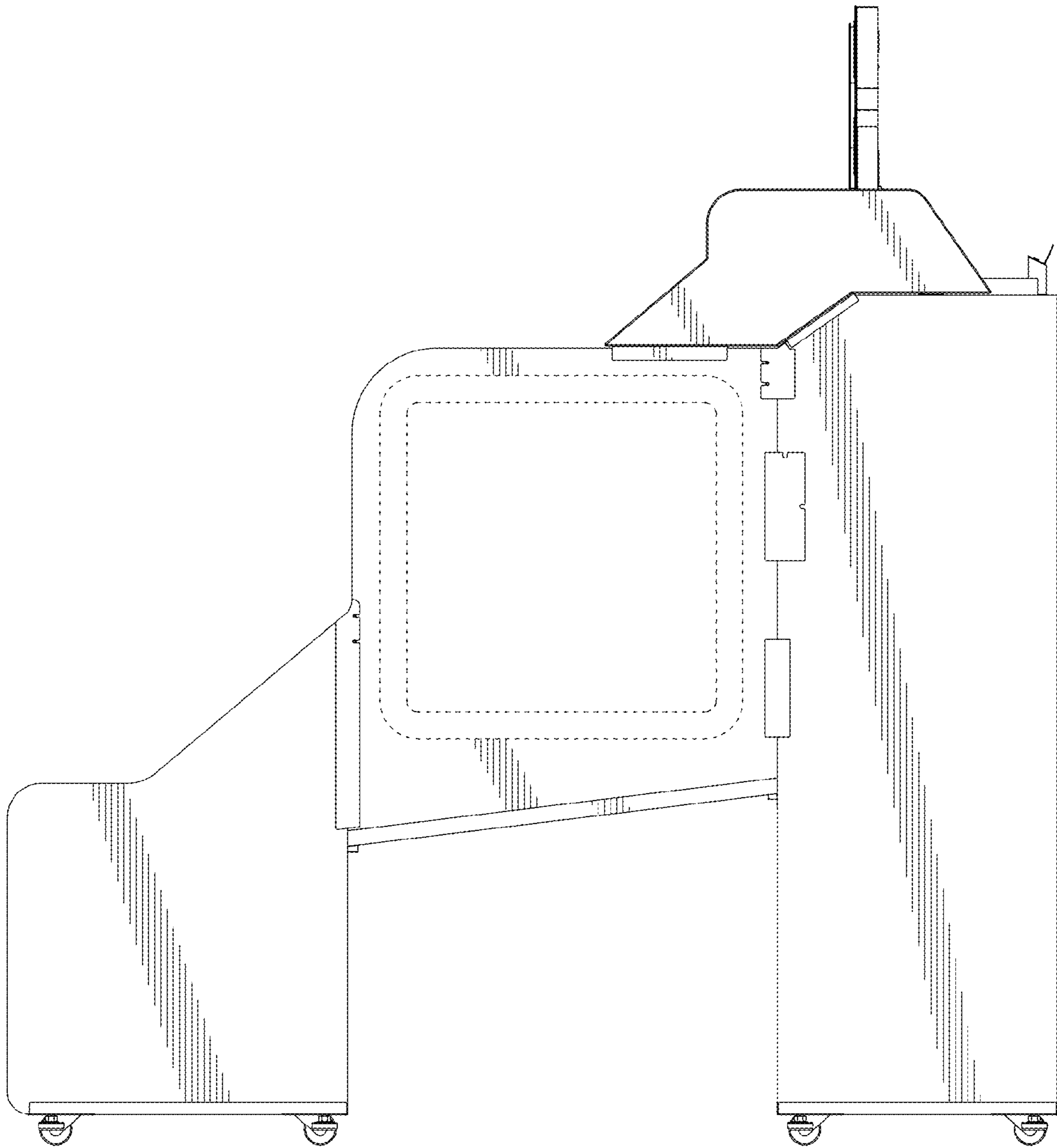


FIG. 5

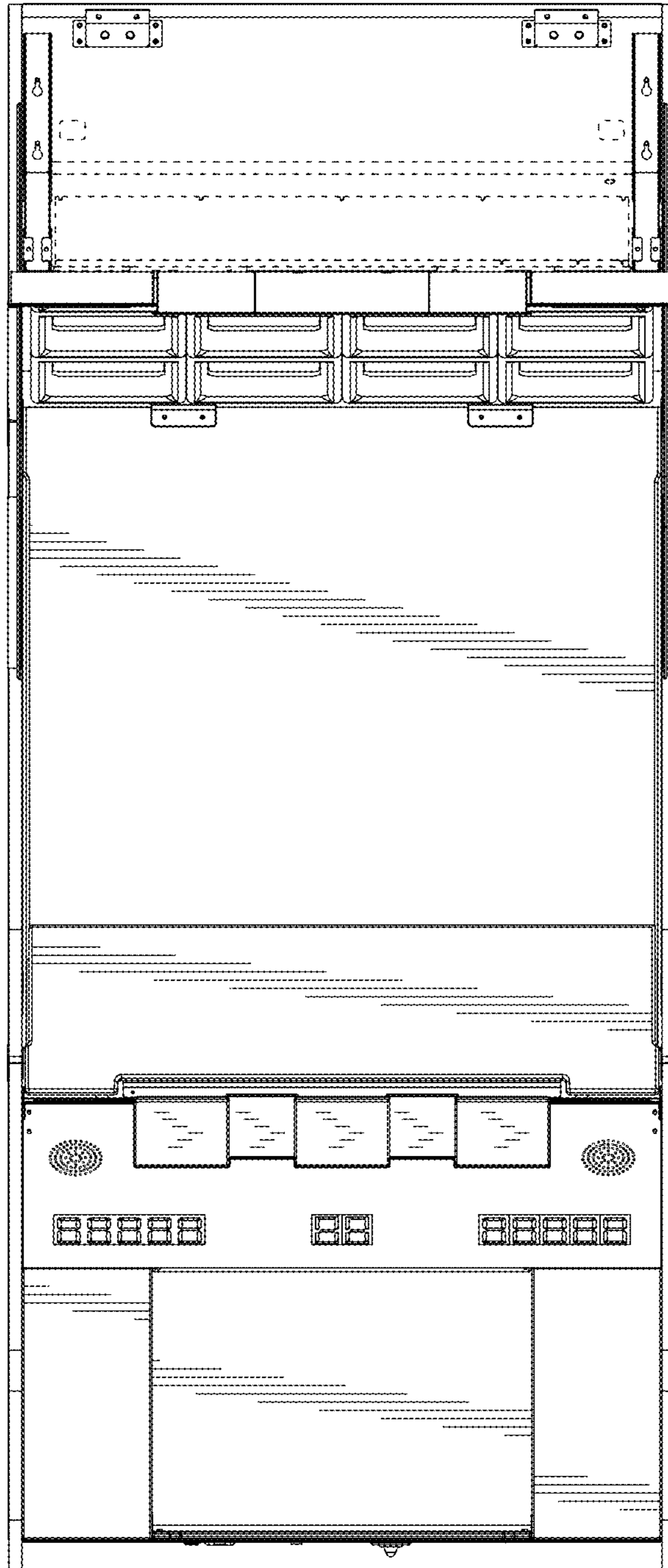


FIG. 6

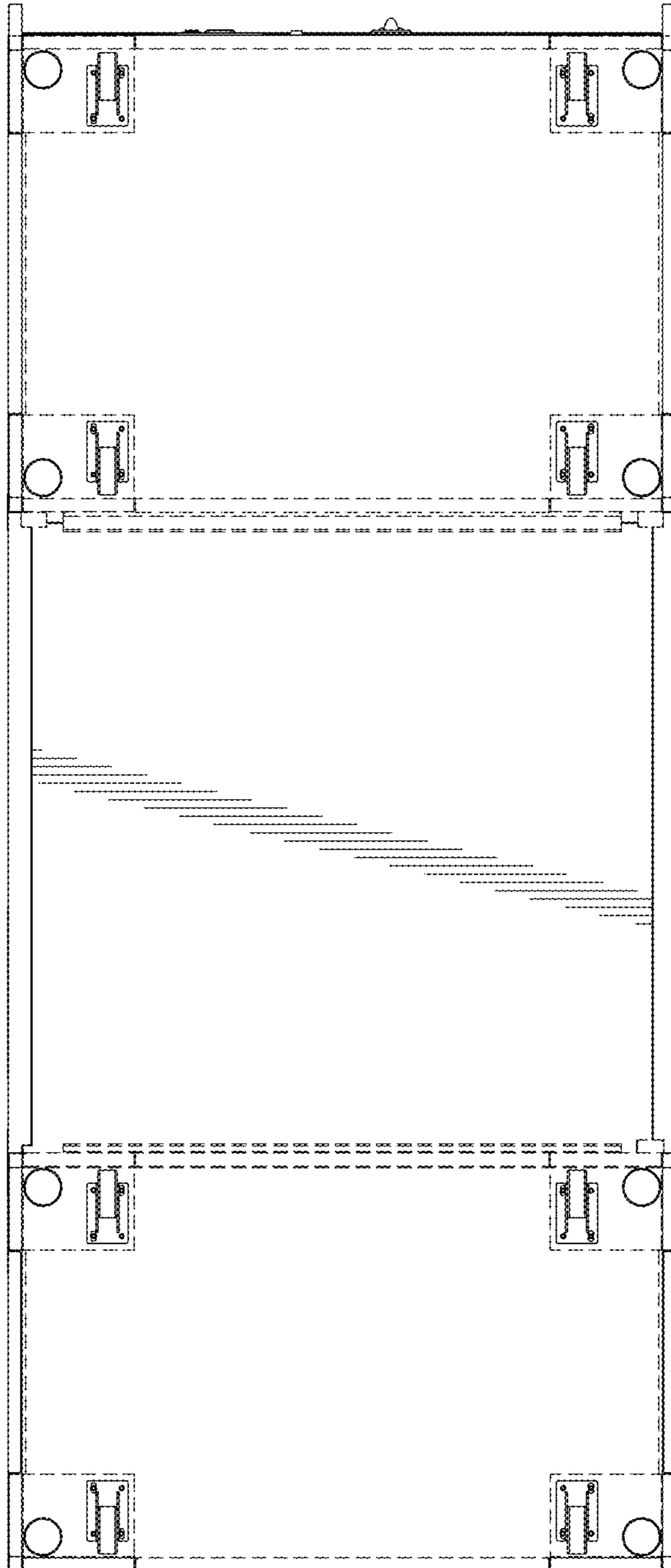


FIG. 7