



US00D928232S

(12) **United States Design Patent**
Wass et al.

(10) **Patent No.: US D928,232 S**

(45) **Date of Patent: ** *Aug. 17, 2021**

(54) **ELASTIC LOOP**

(71) Applicant: **Bedford Industries, Inc.**, Worthington, MN (US)

(72) Inventors: **Axel Wass**, Brewster, MN (US); **Curtis Heinrichs**, Sibley, IA (US)

(73) Assignee: **Bedford Industries, Inc.**, Worthington, MN (US)

(*) Notice: This patent is subject to a terminal disclaimer.

(**) Term: **15 Years**

(21) Appl. No.: **29/673,465**

(22) Filed: **Dec. 14, 2018**

Related U.S. Application Data

(63) Continuation of application No. 29/567,837, filed on Jun. 13, 2016, now Pat. No. Des. 838,780.

(51) **LOC (13) Cl.** **19-08**

(52) **U.S. Cl.**

USPC **D20/22**

(58) **Field of Classification Search**

USPC D7/624.2, 387; D9/550, 563; D10/46, D10/47, 52, 104.1, 104.2; D14/490, 491; D19/1-12; D20/10, 11, 18, 22-29, 49
CPC G09F 1/00; G09F 1/04; G09F 3/00; G09F 3/005; G09F 3/0288; G09F 3/0289; G09F 3/02; G09F 3/04; G09F 3/06; G09F 3/08; G09F 3/10; G06K 19/0776

See application file for complete search history.

(56) **References Cited**

U.S. PATENT DOCUMENTS

224,958 A * 2/1880 Rowland G09F 3/14
40/665
381,879 A * 4/1888 Howard B65D 63/10
24/17 R

D28,619 S * 5/1898 McFadden D20/22
D61,205 S * 8/1922 Shoemaker D19/5
D61,332 S * 2/1932 Karger D19/5
D86,315 S * 2/1932 Karger D19/5

(Continued)

Primary Examiner — Mary Ann Calabrese

Assistant Examiner — Catherine Ho

(74) *Attorney, Agent, or Firm* — James L. Young; Westman, Champlin & Koehler, P.A.

(57) **CLAIM**

The ornamental design for an elastic loop, as shown and described.

DESCRIPTION

FIG. 1 is a perspective view of the first embodiment of an elastic loop, showing our new design;

FIG. 2 is a left side view thereof;

FIG. 3 is a top view thereof;

FIG. 4 is a left end view thereof;

FIG. 5 is a right end view thereof;

FIG. 6 is a right side view thereof;

FIG. 7 is a bottom thereof;

FIG. 8 is a perspective view of the second embodiment of an elastic loop;

FIG. 9 is a left side view thereof;

FIG. 10 is a top view thereof;

FIG. 11 is a left end view thereof;

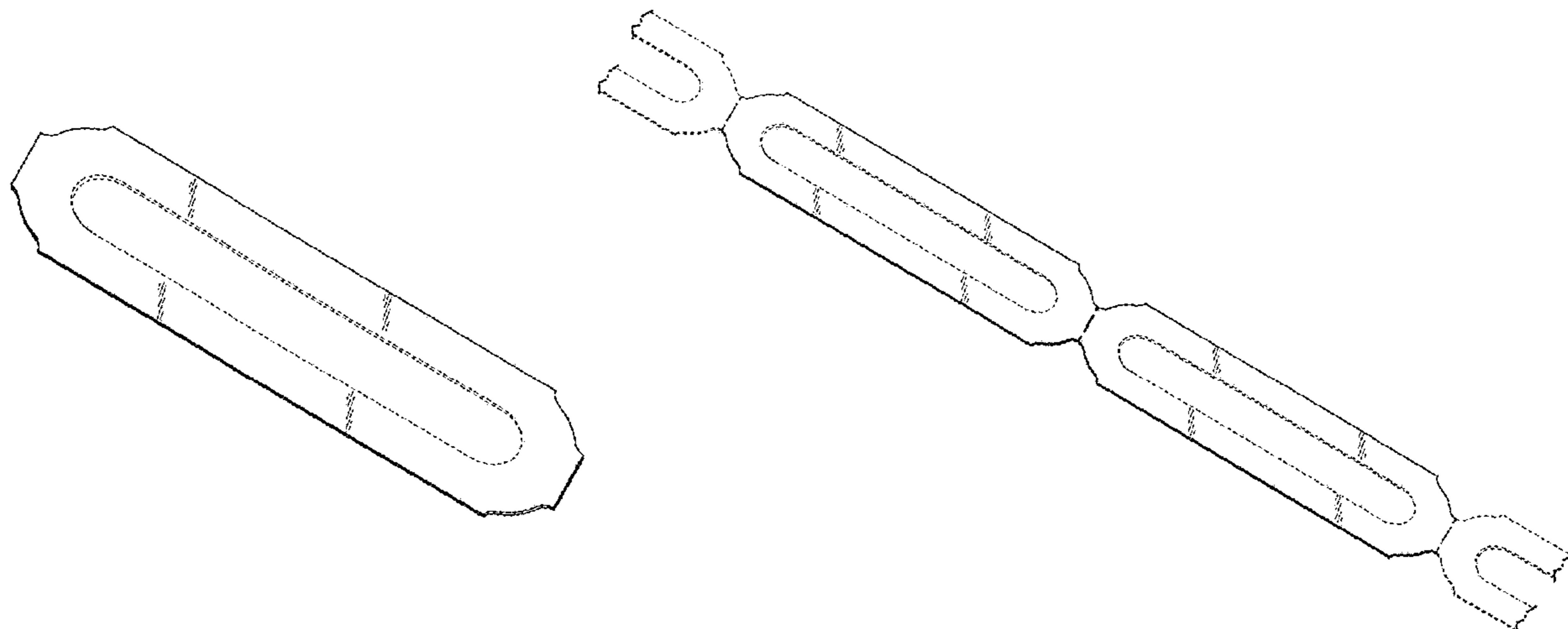
FIG. 12 is a right end view thereof;

FIG. 13 is a right side view thereof; and,

FIG. 14 is a bottom thereof.

The evenly spaced broken lines are for the purpose of illustrating environment and form no part of the claimed design. The dot-dash-dot broken-away heavy weight lines in FIGS. 8, 10 and 14 themselves form no part of the claimed invention, and are provided to indicate that any portion of the article beyond what is shown forms no part of the claimed design. The short-long-short dash lines shown in the drawings are cut lines.

1 Claim, 3 Drawing Sheets



(56)

References Cited

U.S. PATENT DOCUMENTS

D123,663 S * 11/1940 Bristol D20/22
3,436,719 A * 4/1969 Scheinbaum H01M 2/22
439/510
D251,121 S * 2/1979 Smith D19/10
6,024,225 A * 2/2000 Van der Donk B26F 1/3866
206/805
D504,766 S * 5/2005 Cassinelli D3/208
D712,154 S * 9/2014 Schiller G09F 3/08
D3/328
D723,621 S * 3/2015 Heinrichs D20/22
9,355,577 B1 * 5/2016 Coleman G09F 3/02
D838,780 S * 1/2019 Wass D20/22
10,723,532 B2 * 7/2020 Milbrandt B65D 75/585
10,741,102 B2 * 8/2020 Ludlow G09F 3/02

* cited by examiner

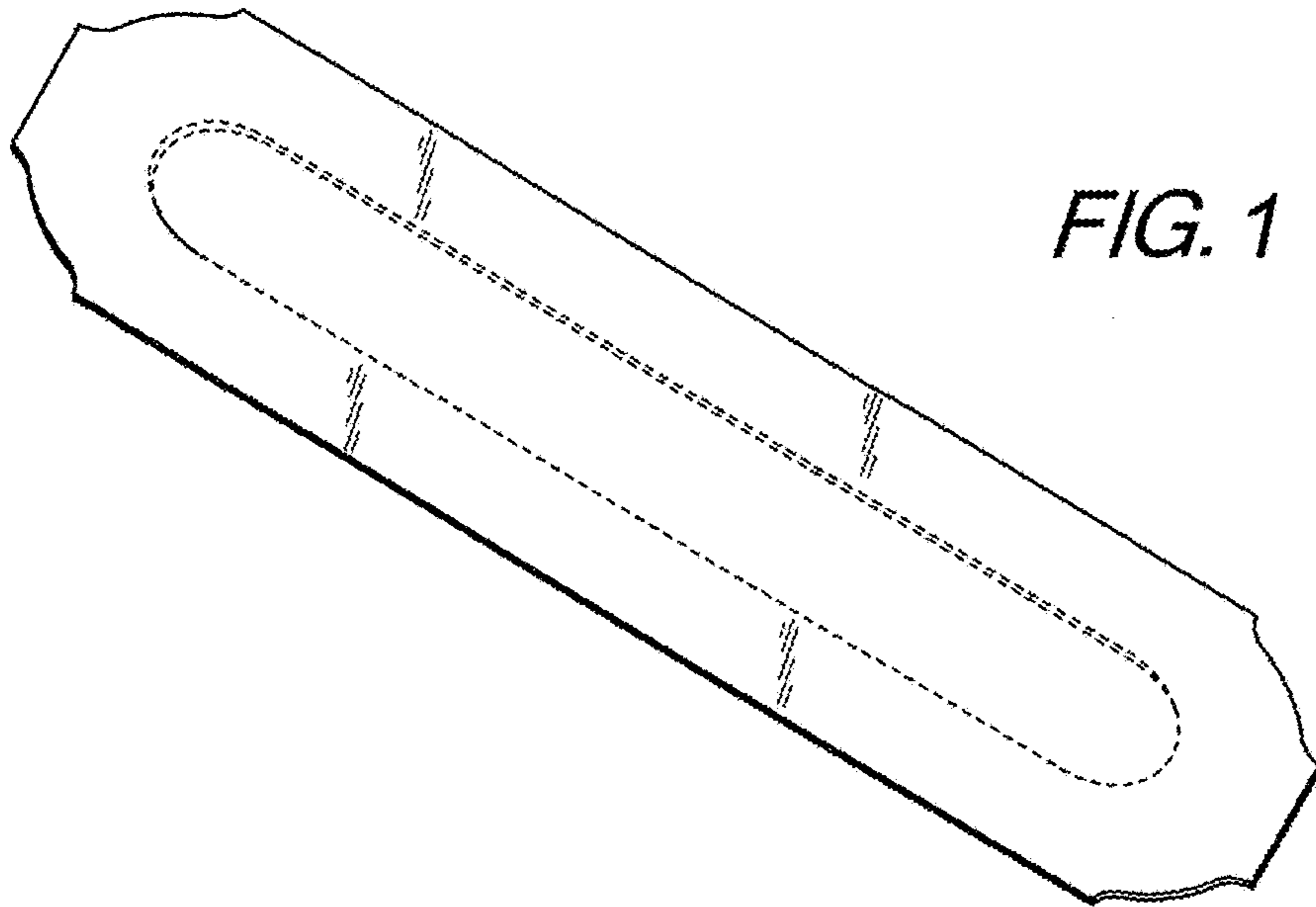


FIG. 1

FIG. 2



FIG. 3

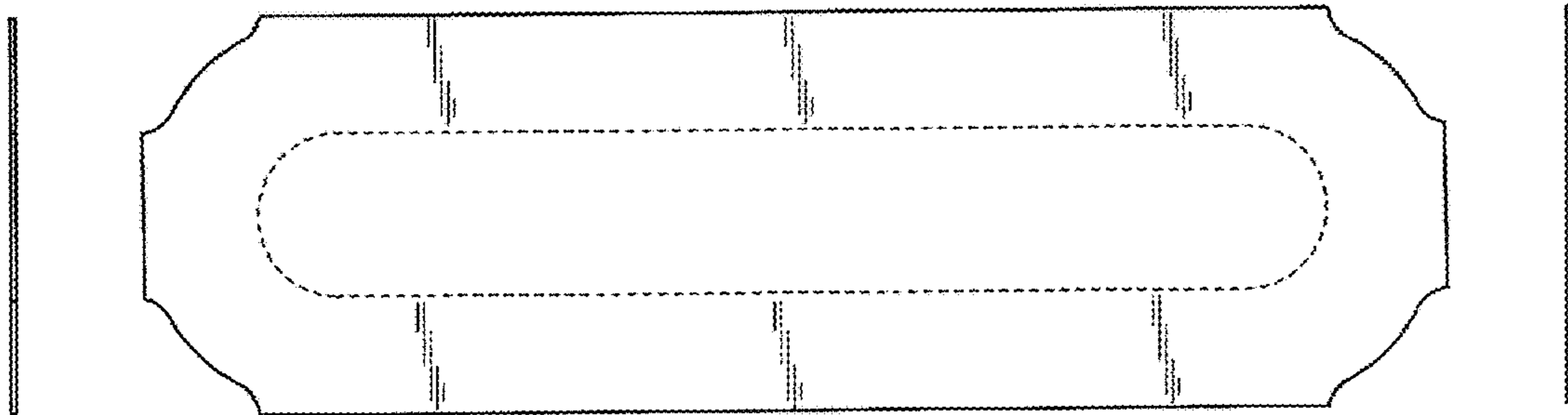


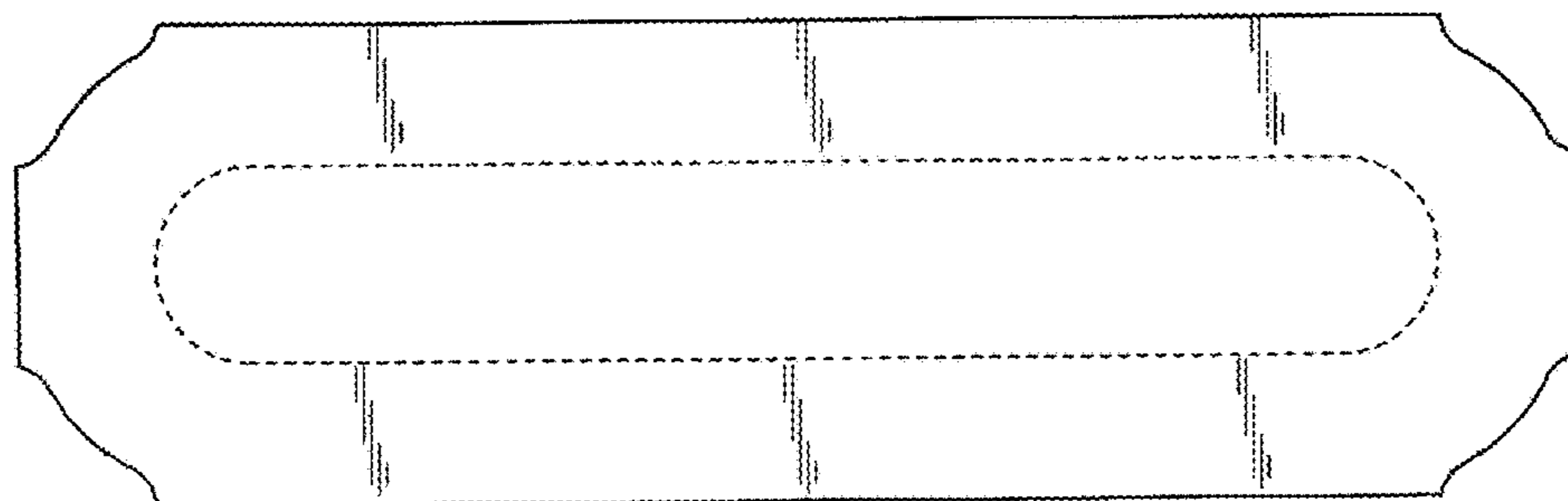
FIG. 4

FIG. 6

FIG. 5



FIG. 7



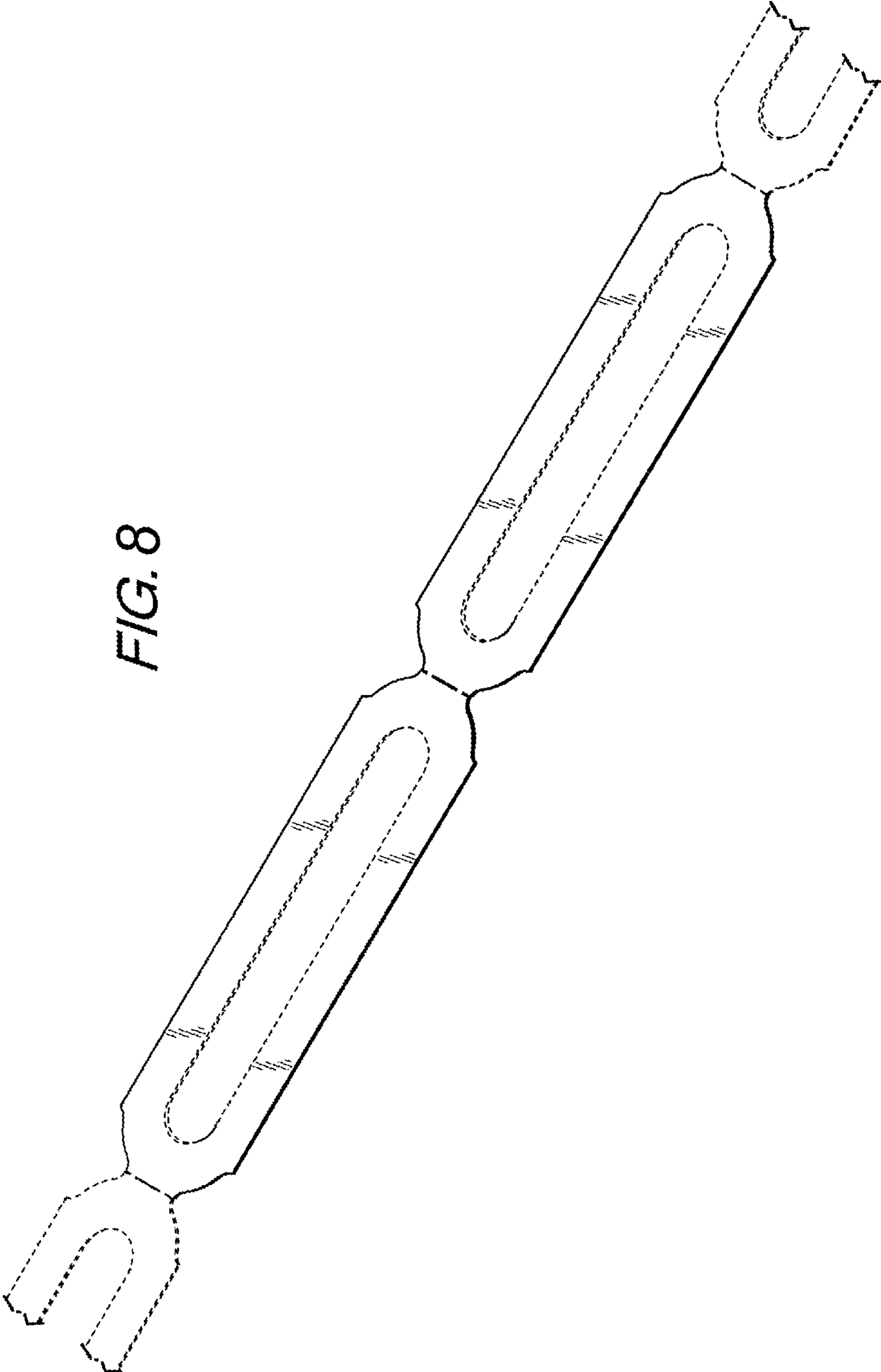


FIG. 8

FIG. 9



FIG. 10

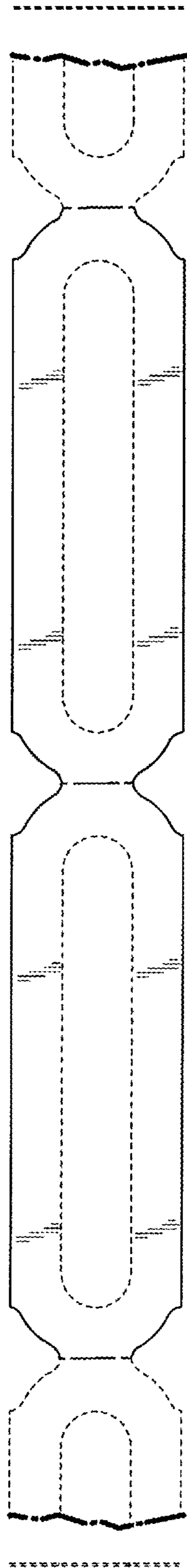


FIG. 11

FIG. 12

FIG. 13



FIG. 14

