



US00D928230S

(12) **United States Design Patent**  
**Li**

(10) **Patent No.:** **US D928,230 S**

(45) **Date of Patent:** **\*\* Aug. 17, 2021**

- (54) **DRAWING BOARD**
- (71) Applicant: **Zhanjiang moving point network technology, Ltd, Zhanjiang (CN)**
- (72) Inventor: **Xiao Ming Li, Zhanjiang (CN)**
- (\*\*) Term: **15 Years**
- (21) Appl. No.: **29/748,298**
- (22) Filed: **Aug. 28, 2020**
- (51) **LOC (13) Cl.** ..... **19-06**
- (52) **U.S. Cl.**  
USPC ..... **D19/113**
- (58) **Field of Classification Search**  
USPC ..... D19/111, 113, 114; D14/440; D21/469,  
D21/475  
CPC .. B43L 1/00; B43L 1/004; B43L 1/006; B43L  
1/008; B43L 5/00; B43L 5/005; B43L  
5/022; G09B 11/00; G09B 11/04  
See application file for complete search history.

(56) **References Cited**

**U.S. PATENT DOCUMENTS**

- 5,324,202 A \* 6/1994 Meyers ..... B43L 1/123  
434/410
- D359,984 S \* 7/1995 Mak ..... D14/390
- 5,674,104 A \* 10/1997 Ohashi ..... B43K 23/04  
401/206
- 5,820,385 A \* 10/1998 Ohashi ..... B43L 1/008  
434/409
- D405,480 S \* 2/1999 Yamazaki ..... D21/475
- D415,121 S \* 10/1999 Uematsu ..... D14/328
- D419,190 S \* 1/2000 Mak ..... D21/469
- D419,599 S \* 1/2000 Mak ..... D21/469
- 6,183,262 B1 \* 2/2001 Tseng ..... B43L 1/008  
434/391
- 6,201,947 B1 \* 3/2001 Hur ..... G09B 5/062  
434/317
- D443,304 S \* 6/2001 Mak ..... D21/469

- D467,971 S \* 12/2002 Mak ..... D21/469
- 6,639,577 B2 \* 10/2003 Eberhard ..... G06F 1/1601  
345/102
- 6,641,401 B2 \* 11/2003 Wood ..... G09B 1/00  
434/159
- 6,722,891 B1 \* 4/2004 Ma ..... B43L 1/008  
40/621
- D498,269 S \* 11/2004 Shirai ..... D21/469
- 6,932,613 B2 \* 8/2005 Olsen ..... G09B 11/04  
434/160
- D584,364 S \* 1/2009 Quercetti ..... D19/113
- D591,801 S \* 5/2009 Mak ..... D21/469
- 7,602,381 B2 \* 10/2009 Aiken ..... G06F 1/1626  
345/156
- 8,952,887 B1 \* 2/2015 Wood ..... G06F 3/04146  
345/156
- D723,550 S \* 3/2015 Krueger ..... D14/341

(Continued)

**FOREIGN PATENT DOCUMENTS**

EM 008150411 \* 10/2020

*Primary Examiner* — Elizabeth A. Albert

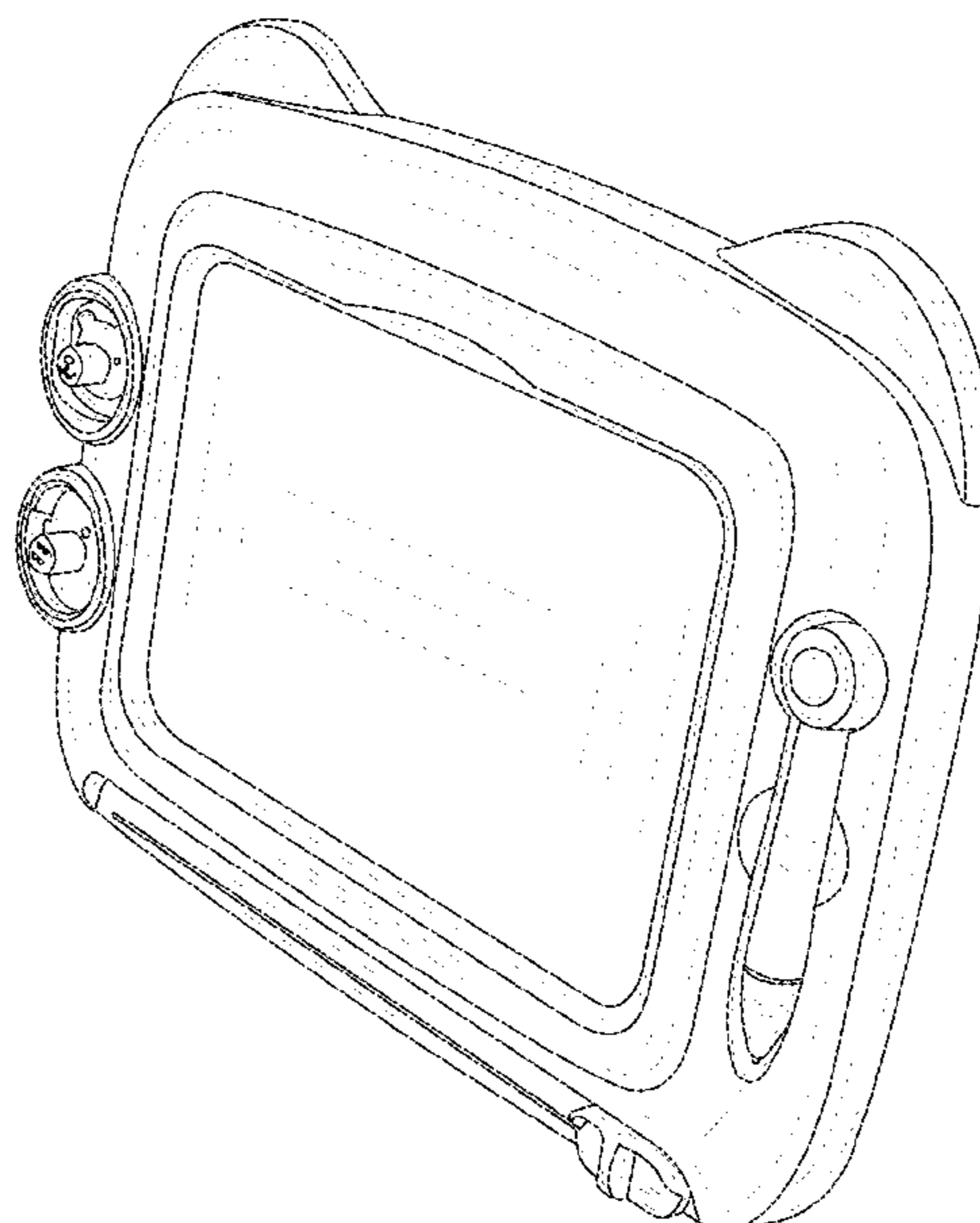
(57) **CLAIM**

The ornamental design for a drawing board, as shown and described.

**DESCRIPTION**

FIG. 1 is a front and top and right perspective view of a drawing board, showing my new design;  
 FIG. 2 is a front elevational view thereof;  
 FIG. 3 is a rear elevational view thereof;  
 FIG. 4 is a left side elevational view thereof;  
 FIG. 5 is a right side elevational view thereof;  
 FIG. 6 is a top plan view thereof;  
 FIG. 7 is a bottom plan view thereof; and,  
 FIG. 8 is a front and top and left perspective view thereof.  
 The broken lines in the drawings depict portions of the drawing board that form no part of the claimed design.

**1 Claim, 8 Drawing Sheets**



(56)

**References Cited**

U.S. PATENT DOCUMENTS

9,744,798	B2 *	8/2017	Xie	.....	G06F 1/1637
D804,575	S	12/2017	Pan		
D875,831	S *	2/2020	Jiang	.....	D19/113
D884,074	S *	5/2020	Romano	.....	D19/113
D886,109	S *	6/2020	Li	.....	D14/440
D899,521	S *	10/2020	Li	.....	D19/113
2010/0233668	A1 *	9/2010	Kelsoe	.....	B43L 1/00 434/408
2013/0132810	A1 *	5/2013	Jandt	.....	G09F 15/0012 715/209
2016/0052329	A1 *	2/2016	Haymond	.....	B43L 1/00 434/415

\* cited by examiner

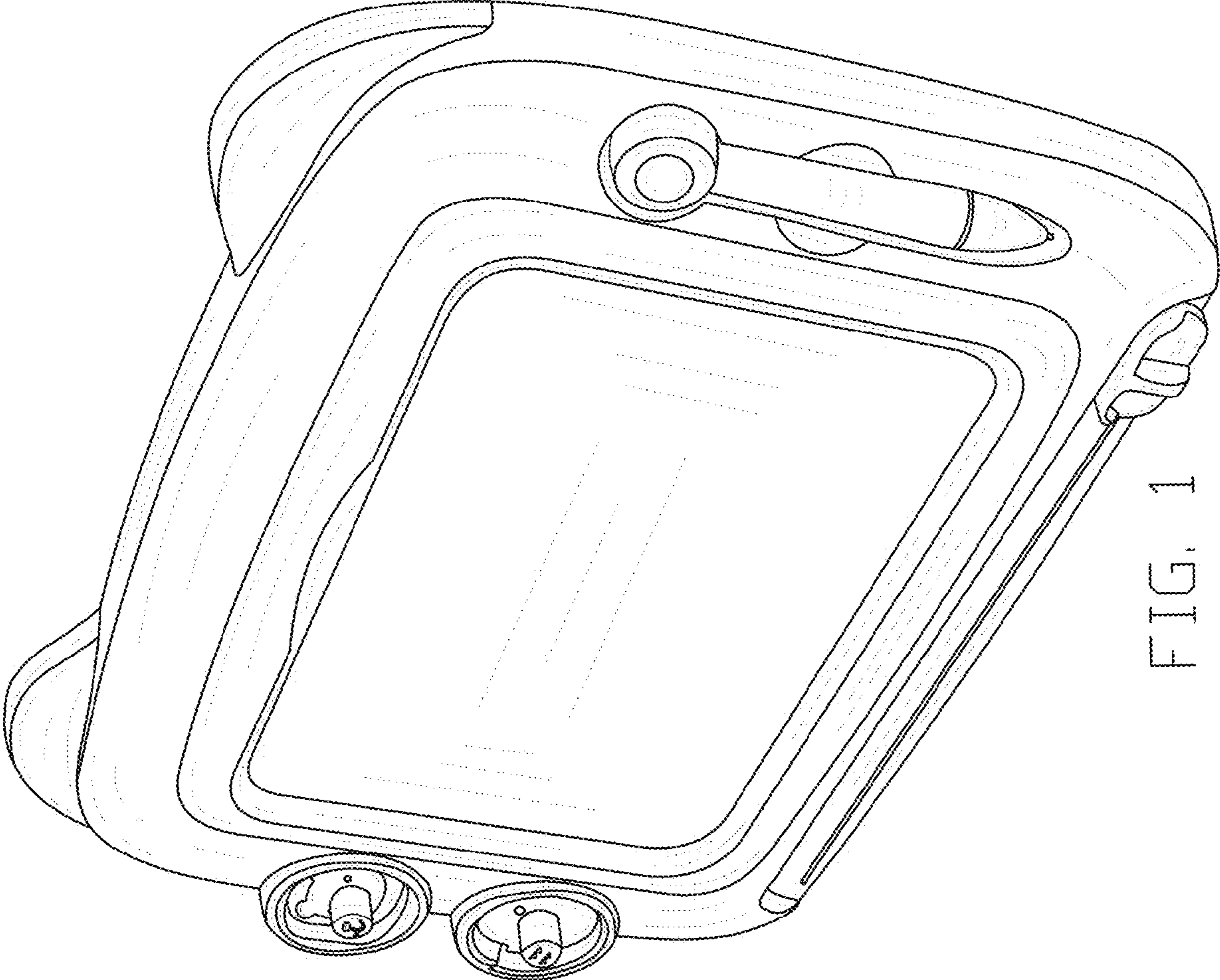


FIG. 1

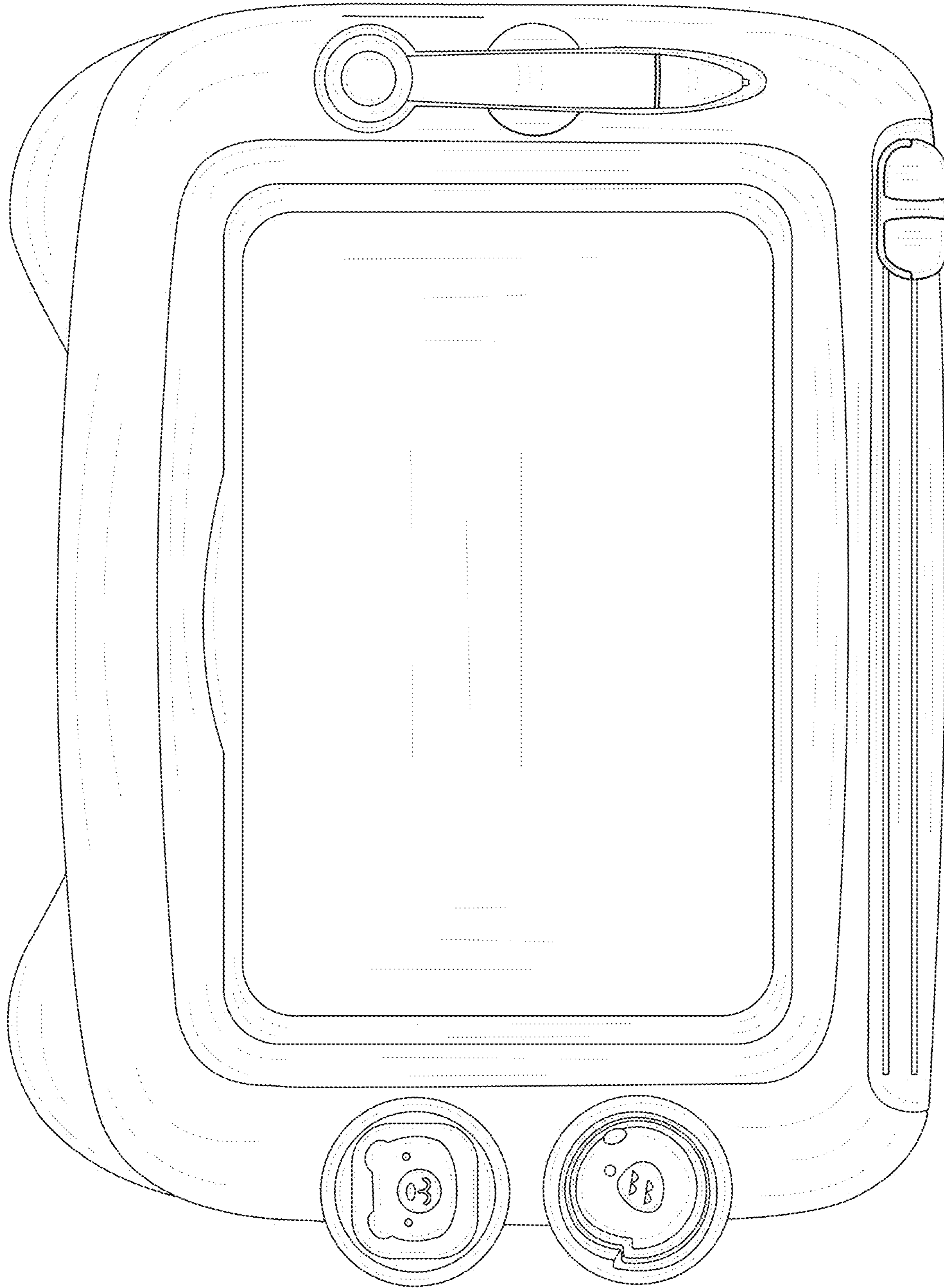


FIG. 2

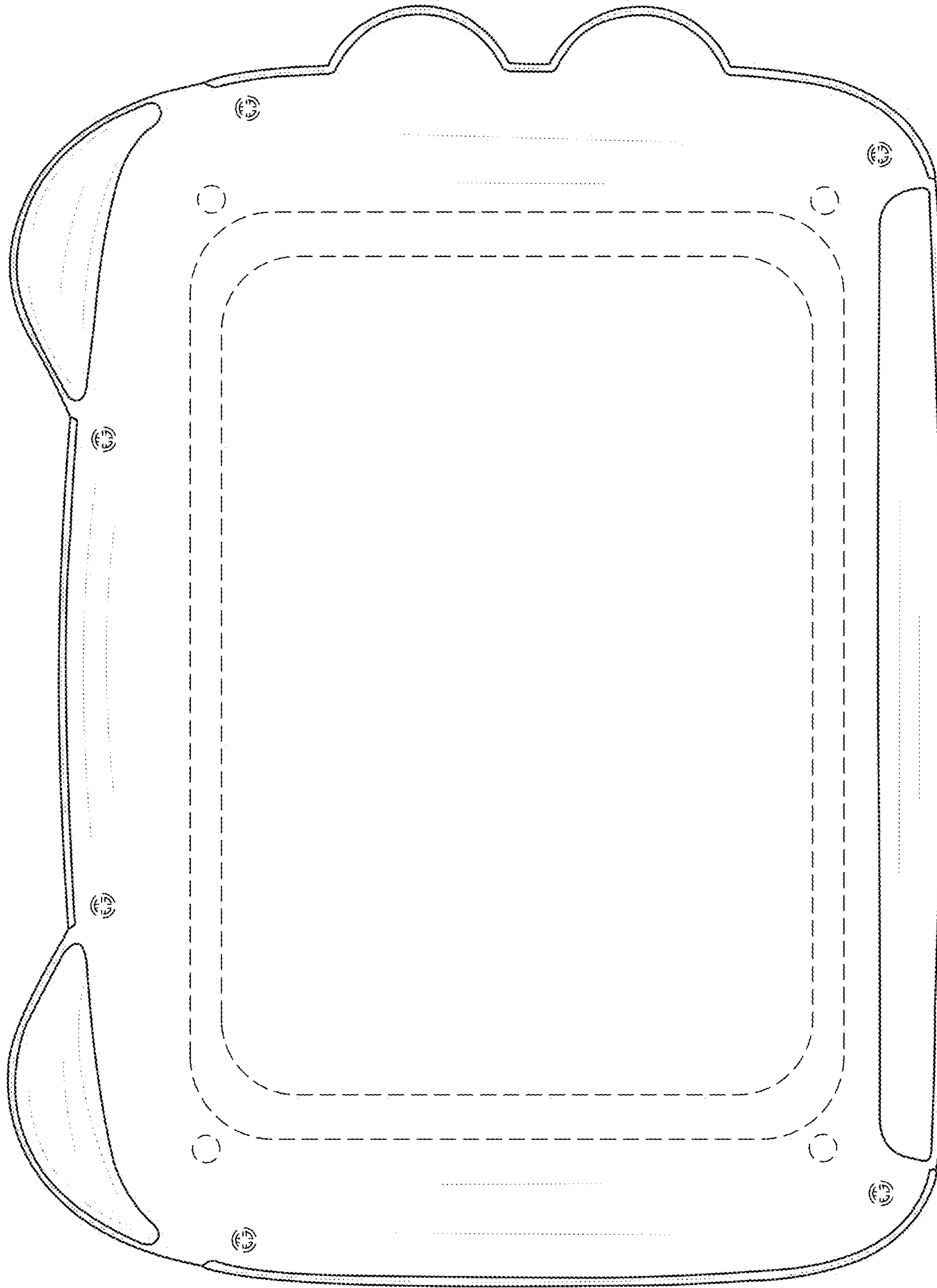


FIG. 3

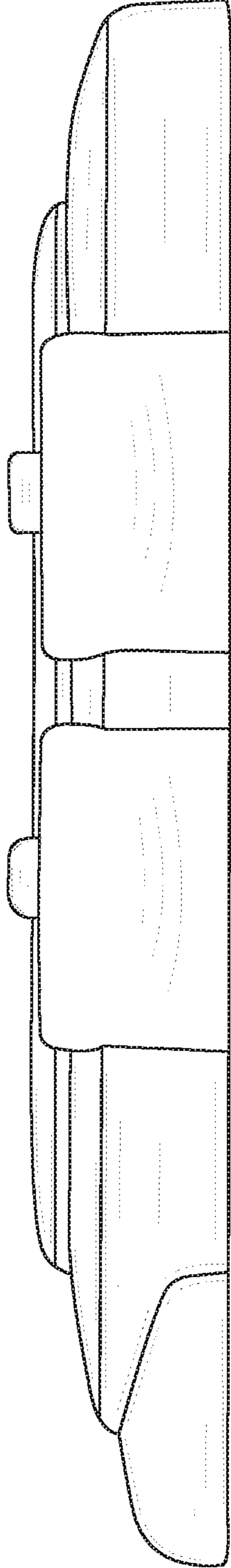


FIG. 4

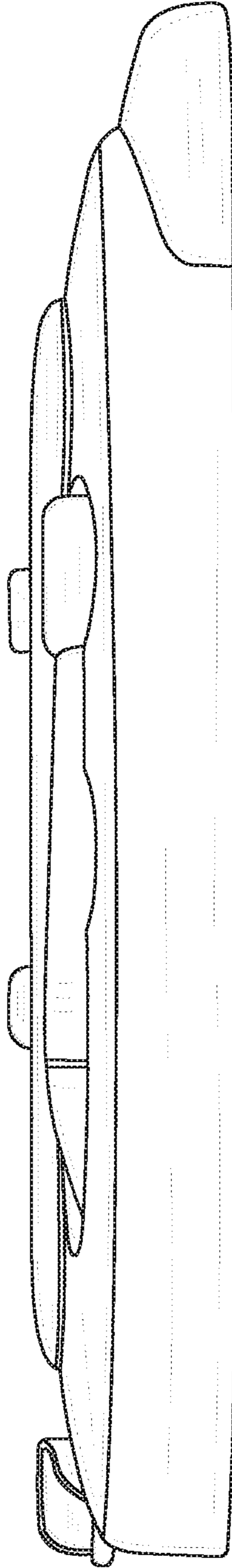


FIG. 5

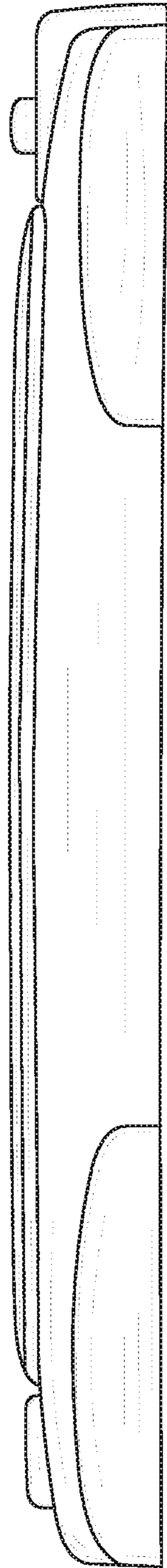


FIG. 6



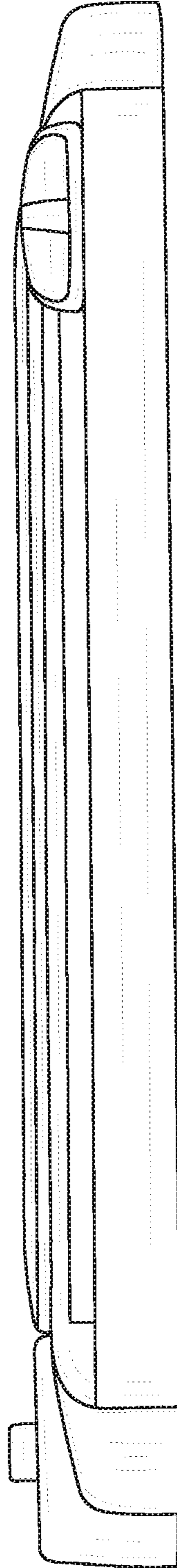


FIG. 7

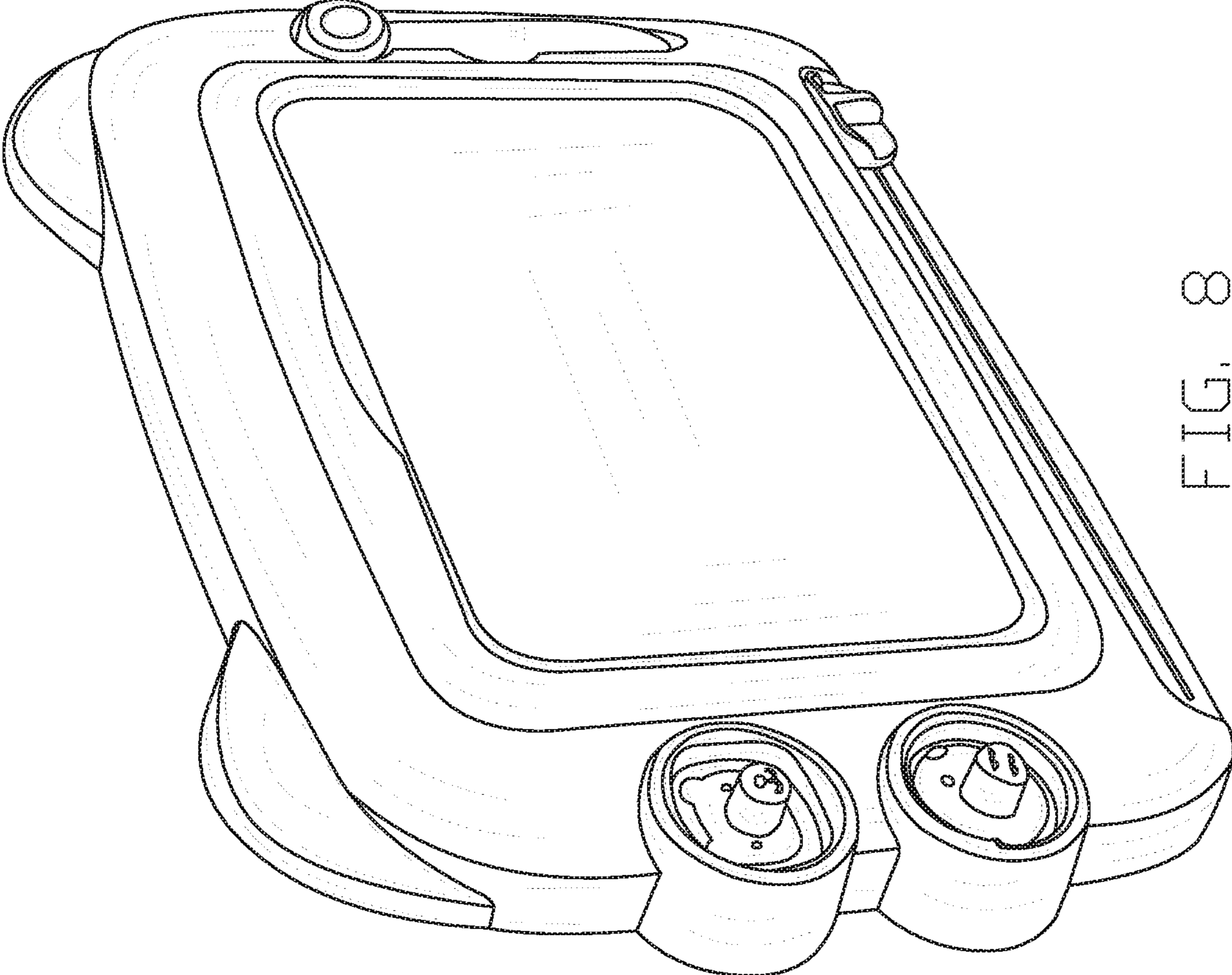


FIG. 8