



US00D928225S

(12) **United States Design Patent**
Gregory

(10) **Patent No.:** **US D928,225 S**

(45) **Date of Patent:** **** Aug. 17, 2021**

(54) **TENSION BALANCING STOP BAR**

(71) Applicant: **Maestro A Gregory**, Studio City, CA (US)

(72) Inventor: **Maestro A Gregory**, Studio City, CA (US)

(**) Term: **15 Years**

(21) Appl. No.: **29/709,506**

(22) Filed: **Oct. 15, 2019**

(51) **LOC (13) Cl.** **17-03**

(52) **U.S. Cl.**
USPC **D17/20**

(58) **Field of Classification Search**
USPC D17/14, 18, 19, 20, 21, 99
CPC .. G10D 1/00; G10D 1/04; G10D 1/05; G10D 1/06; G10D 1/08; G10D 1/10; G10D 3/00; G10D 3/04; G10D 3/06; G10D 3/12; G10D 3/14; G10D 3/147
See application file for complete search history.

(56) **References Cited**

U.S. PATENT DOCUMENTS

3,178,985	A *	4/1965	Jeranson	G10D 3/04 84/307
D213,646	S *	3/1969	Fields et al.	D17/21
D213,647	S *	3/1969	Fields et al.	D17/21
3,538,233	A *	11/1970	Fields	G10D 3/04 84/723
D468,760	S *	1/2003	Powers	D17/20
9,799,307	B1 *	10/2017	Minasi	G10D 1/085
2006/0236841	A1 *	10/2006	LeBlanc	G10D 3/14 84/298

2009/0205477	A1 *	8/2009	Stadler	G10D 3/04 84/299
2010/0236375	A1 *	9/2010	Dunwoodie	G10D 3/04 84/297 R
2015/0279339	A1 *	10/2015	Babicz, Sr.	G10D 3/04 84/299
2017/0032768	A1 *	2/2017	Dunwoodie	G10D 3/12

* cited by examiner

Primary Examiner — R. Johnson

(74) *Attorney, Agent, or Firm* — Welsh Flaxman & Gitler LLC

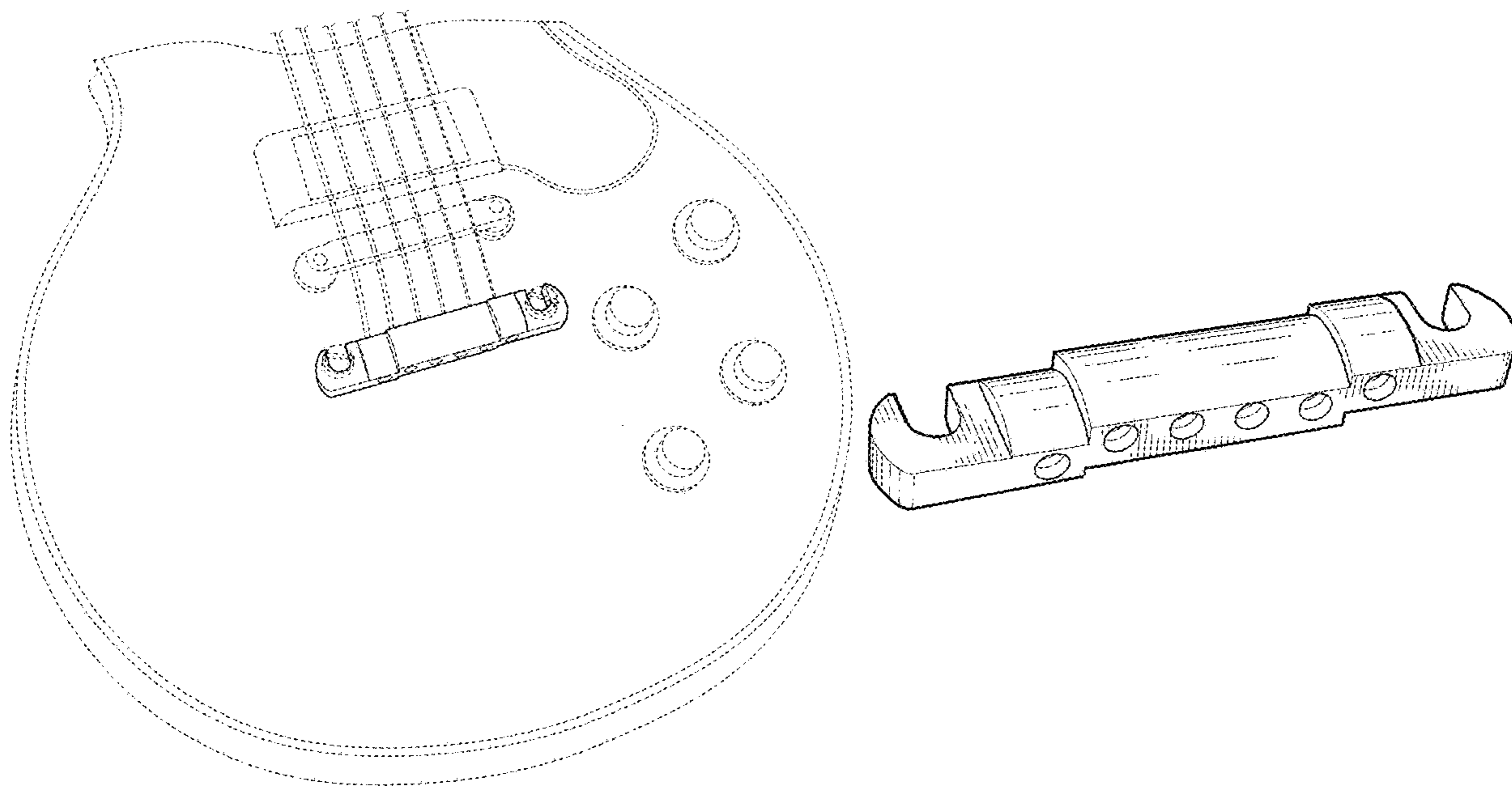
(57) **CLAIM**

The ornamental design for a tension balancing stop bar, as shown and described.

DESCRIPTION

FIG. 1 is a perspective view of a tension balancing stop bar in its environment;
 FIG. 2 is a perspective view of the tension balancing stop bar;
 FIG. 3 is a top view of the tension balancing stop bar;
 FIG. 4 is a bottom view of the tension balancing stop bar;
 FIG. 5 is a rear view of the tension balancing stop bar;
 FIG. 6 is a front view of the tension balancing stop bar;
 FIG. 7 is a right side view of the tension balancing stop bar; and,
 FIG. 8 is a left side view of the tension balancing stop bar. The broken lines of the tension balancing stop bar are for the purpose of illustrating environmental structure and form no part of the claimed design.

1 Claim, 3 Drawing Sheets



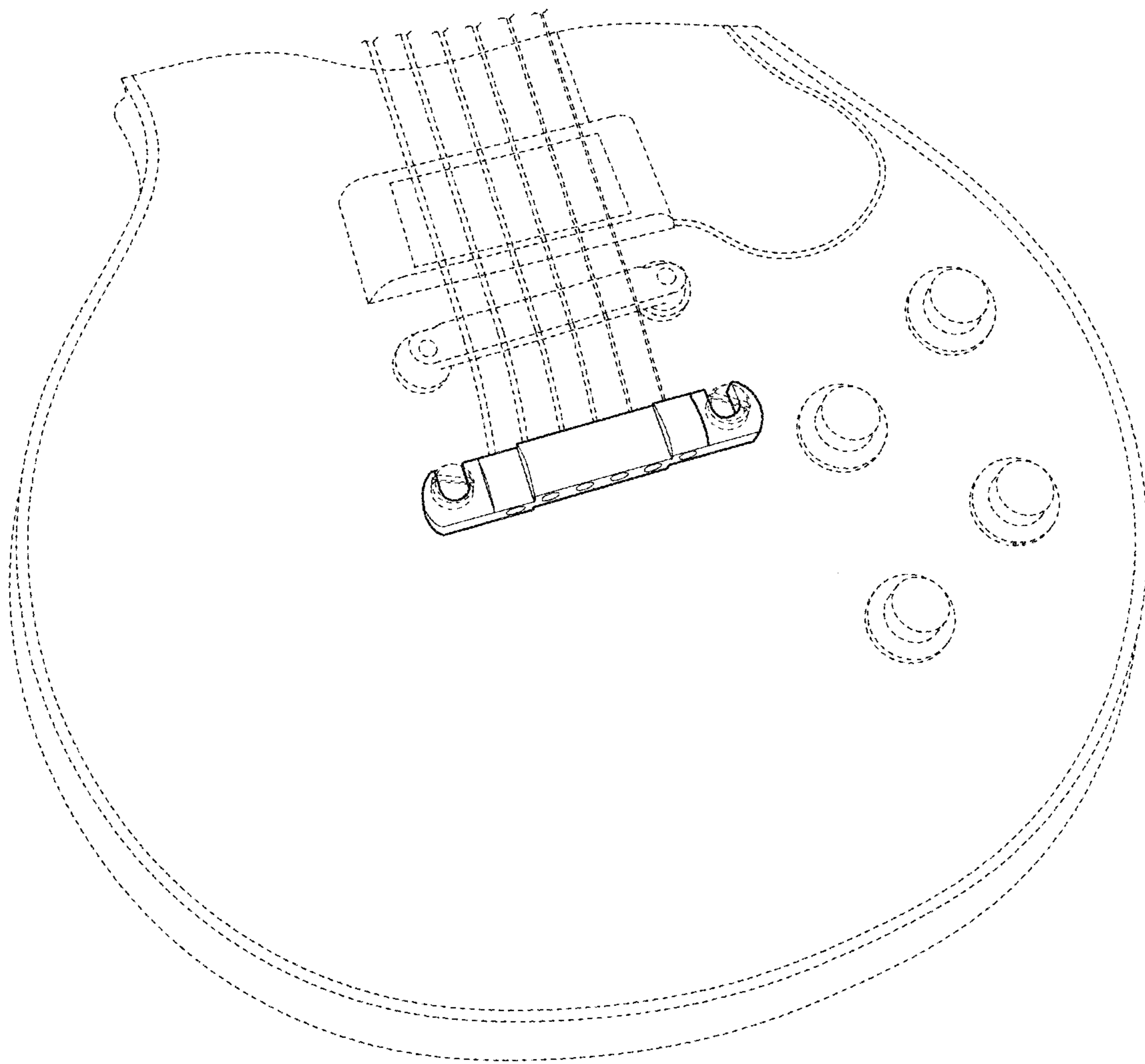


FIG. 1

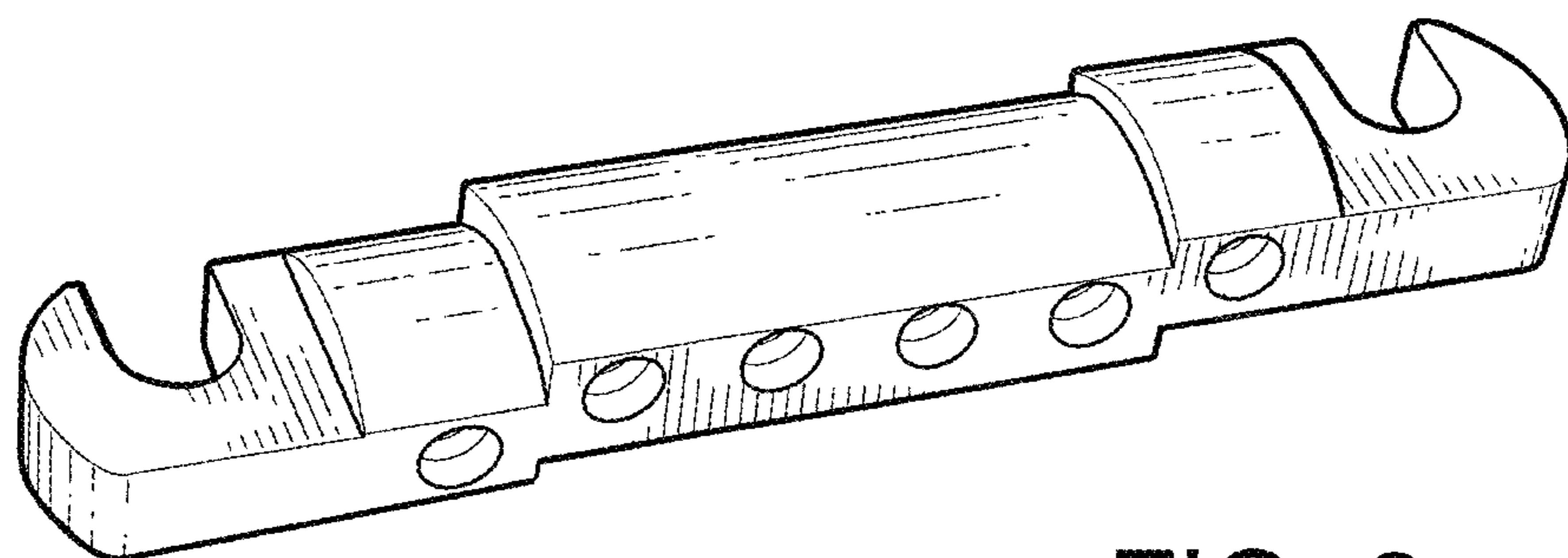


FIG. 2

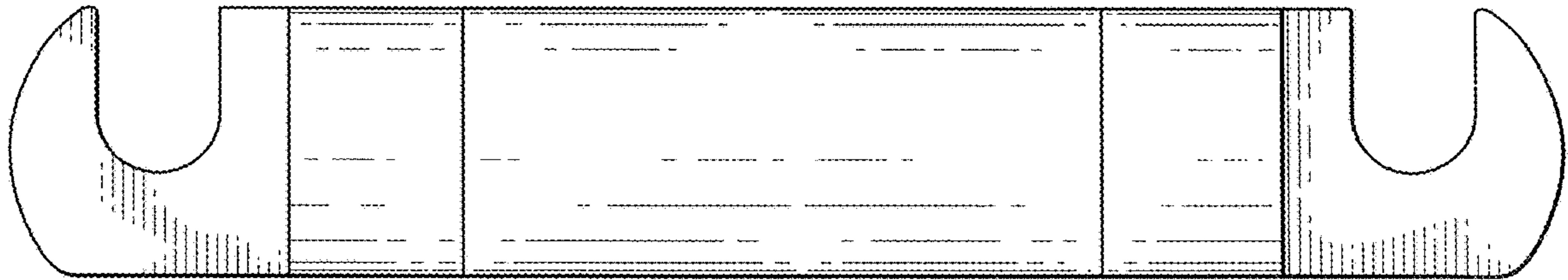


FIG. 3

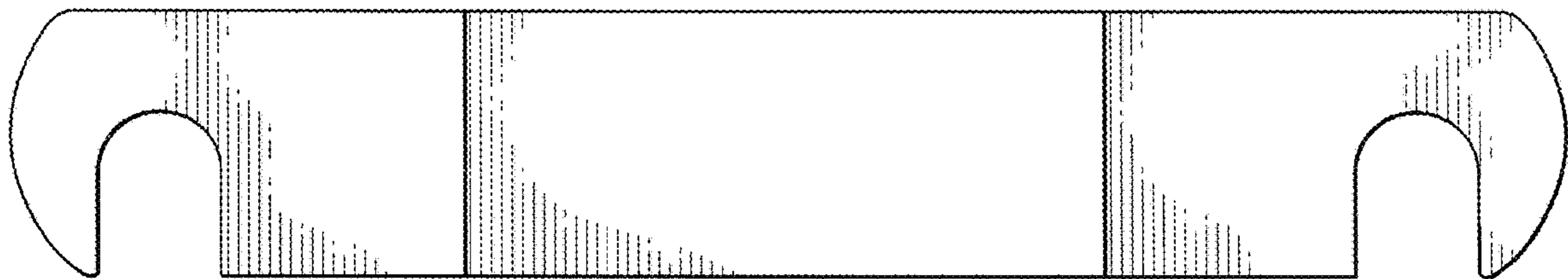


FIG. 4

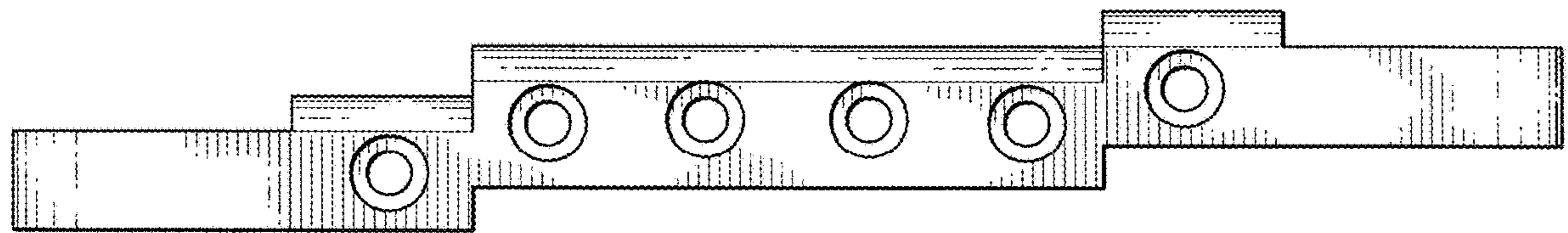


FIG. 5

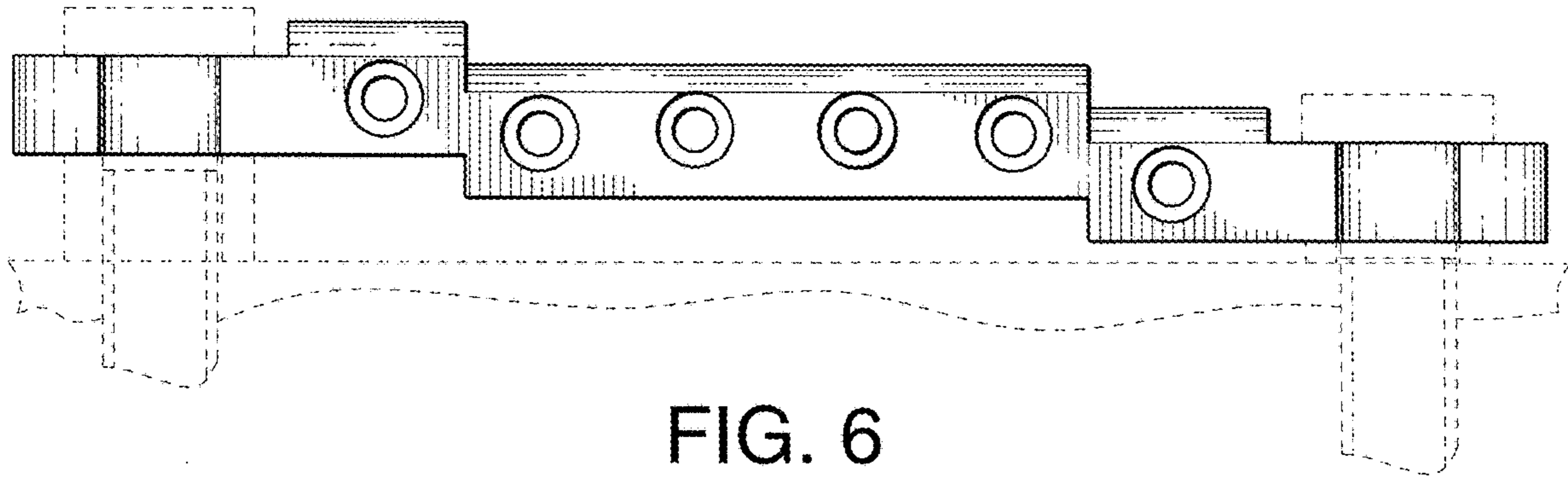


FIG. 6

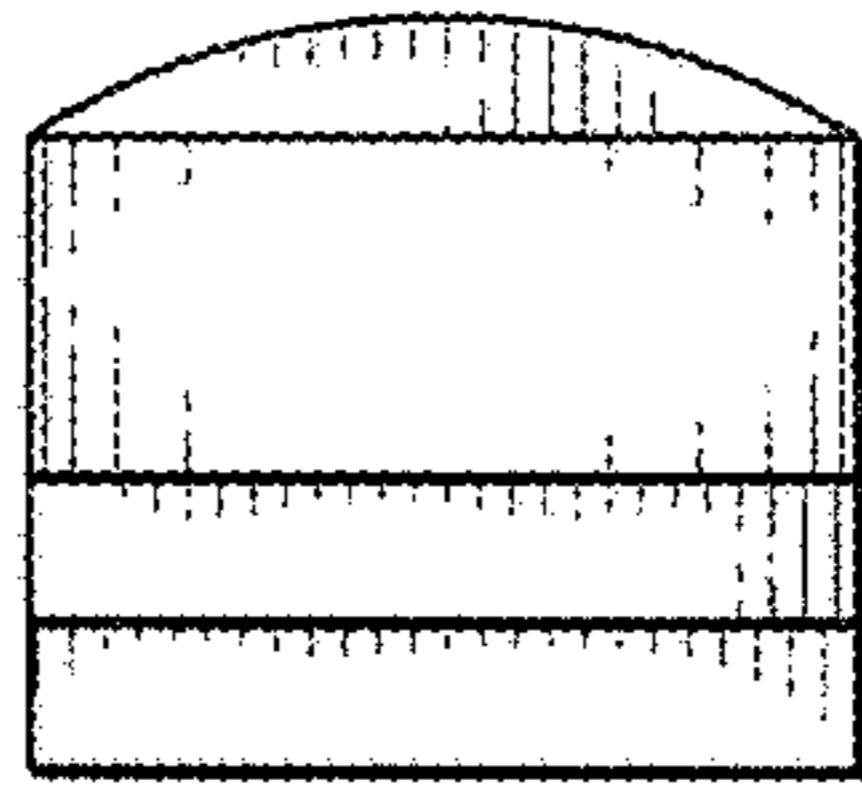


FIG. 7

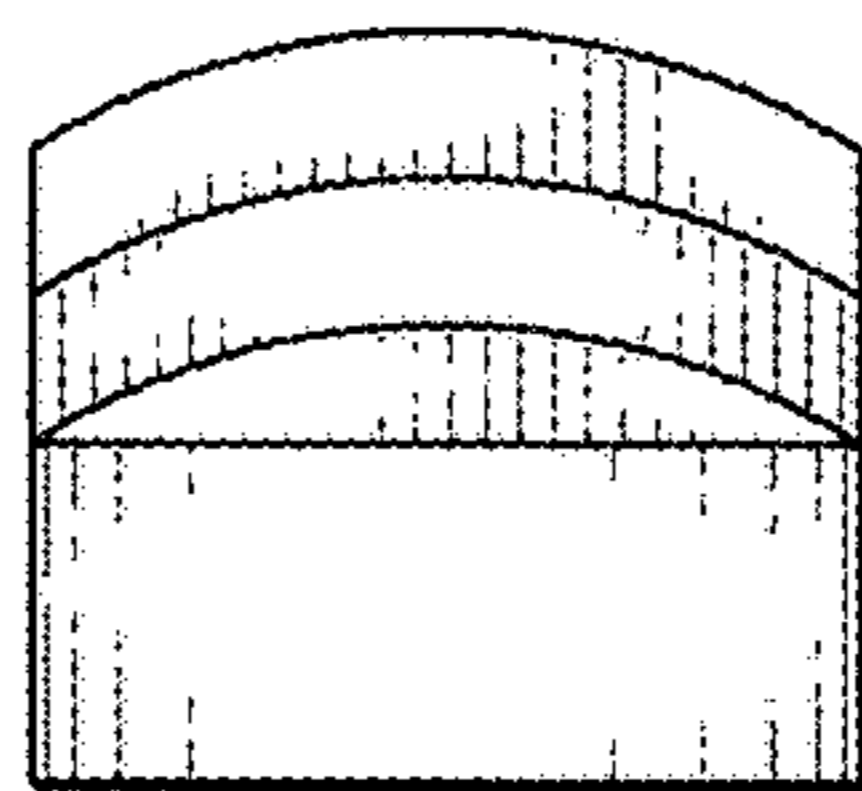


FIG. 8