



US00D928224S

(12) **United States Design Patent** (10) **Patent No.:** **US D928,224 S**  
**Zeng** (45) **Date of Patent:** **\*\* Aug. 17, 2021**

(54) **UKULELE**  
(71) Applicant: **Dongguan Wanyikai Keji Co., Ltd.**,  
Dongguan (CN)  
(72) Inventor: **Guosheng Zeng**, Jiahe (CN)  
(\*\*) Term: **15 Years**  
(21) Appl. No.: **29/769,793**  
(22) Filed: **Feb. 8, 2021**  
(51) **LOC (13) Cl.** ..... **17-03**  
(52) **U.S. Cl.**  
USPC ..... **D17/14**  
(58) **Field of Classification Search**  
USPC ..... D17/14, 18, 19, 20, 21, 99  
CPC .. G10D 1/00; G10D 1/04; G10D 1/05; G10D  
1/06; G10D 1/08; G10D 1/10; G10D  
3/00; G10D 3/04; G10D 3/06; G10D  
3/12; G10D 3/14; G10D 3/147  
See application file for complete search history.

D628,618 S 12/2010 Tsai  
D639,333 S \* 6/2011 Betts ..... D17/14  
D652,069 S 1/2012 Tsai  
D655,330 S 3/2012 Tsai  
10,049,647 B1 \* 8/2018 Powers ..... G10D 1/08  
D896,881 S \* 9/2020 Swerdfeger ..... D17/14  
2012/0186414 A1 \* 7/2012 Swenney ..... G10D 3/04  
84/307

**FOREIGN PATENT DOCUMENTS**

DE 323741 C \* 8/1920 ..... G10D 3/04  
DE 10335919 A1 \* 3/2005 ..... G10D 1/08

\* cited by examiner

*Primary Examiner* — R. Johnson

(74) *Attorney, Agent, or Firm* — Rumit Ranjit Kanakia

(57) **CLAIM**

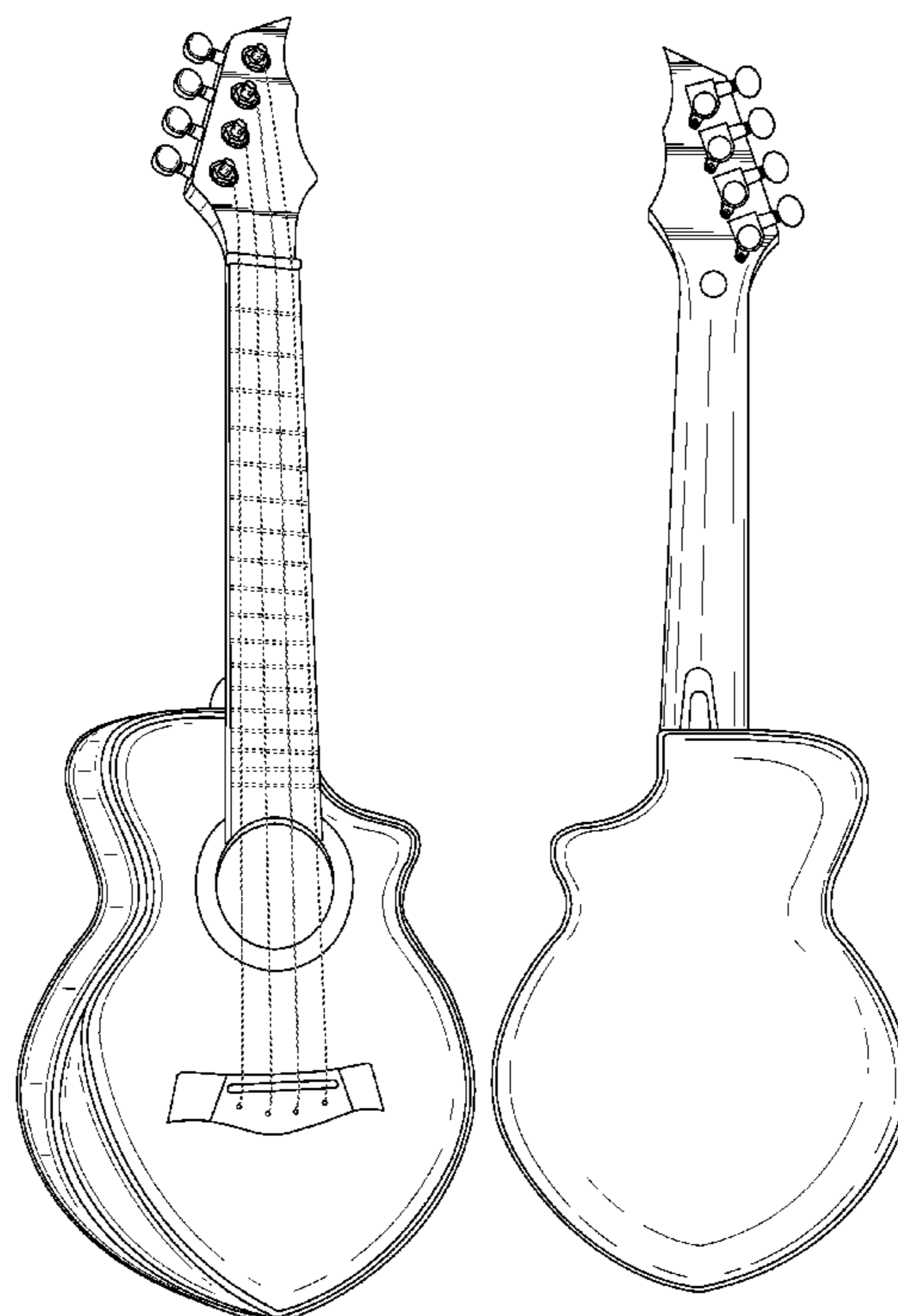
I claim the ornamental design for a ukulele, as shown and described.

**DESCRIPTION**

FIG. 1 is a Perspective view of a ukulele showing my new design;  
FIG. 2 is a Front view thereof;  
FIG. 3 is a Back view thereof;  
FIG. 4 is a Left-side view thereof;  
FIG. 5 is a Right-side view thereof;  
FIG. 6 is a Top view thereof; and,  
FIG. 7 is a Bottom view thereof.  
The broken lines in the drawings depict portions of the ukulele that form no part of the claimed design.

**1 Claim, 6 Drawing Sheets**

(56) **References Cited**  
**U.S. PATENT DOCUMENTS**  
2,793,556 A \* 5/1957 Maccaferri ..... G10D 1/08  
84/267  
5,519,165 A \* 5/1996 Gregory ..... G10D 3/14  
84/267  
D496,958 S \* 10/2004 Amiya ..... D17/14  
D510,593 S \* 10/2005 DeCarolis ..... D17/20  
D521,046 S 5/2006 Martinez  
D536,029 S \* 1/2007 Ching ..... D17/14  
D561,817 S \* 2/2008 D'Ambrosio ..... D17/18  
D594,502 S 6/2009 Csakvary  
D607,041 S \* 12/2009 Tweed, Jr. .... D17/14



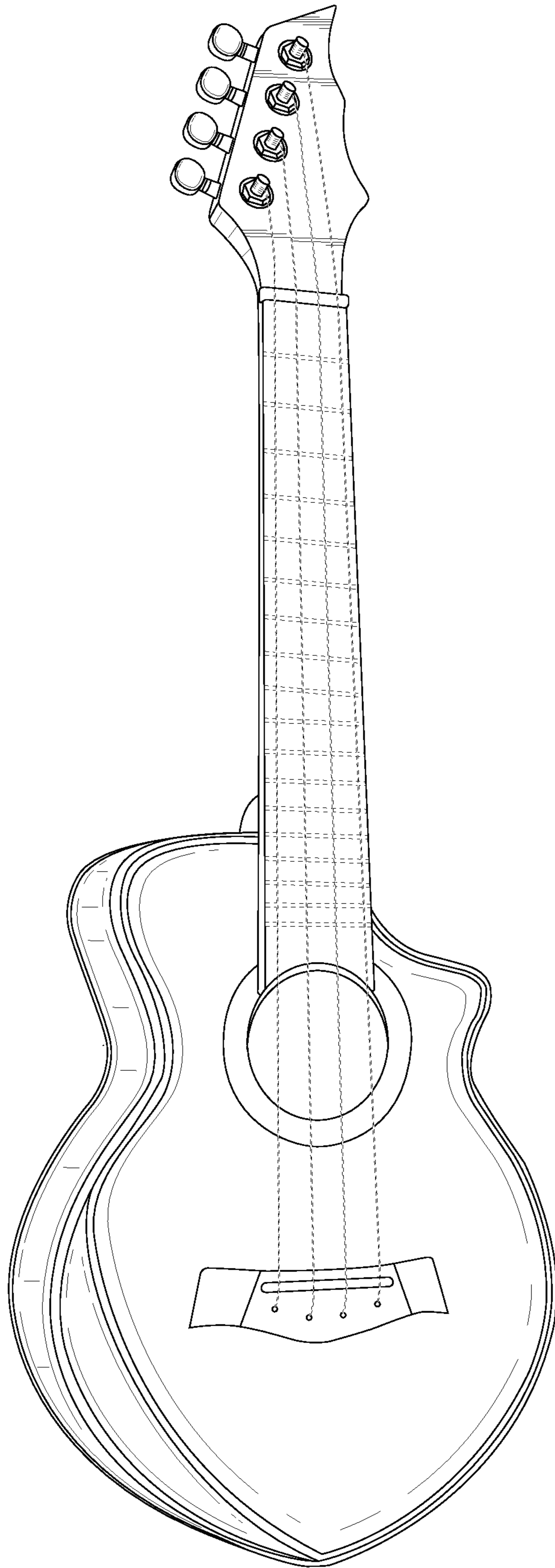


FIG. 1

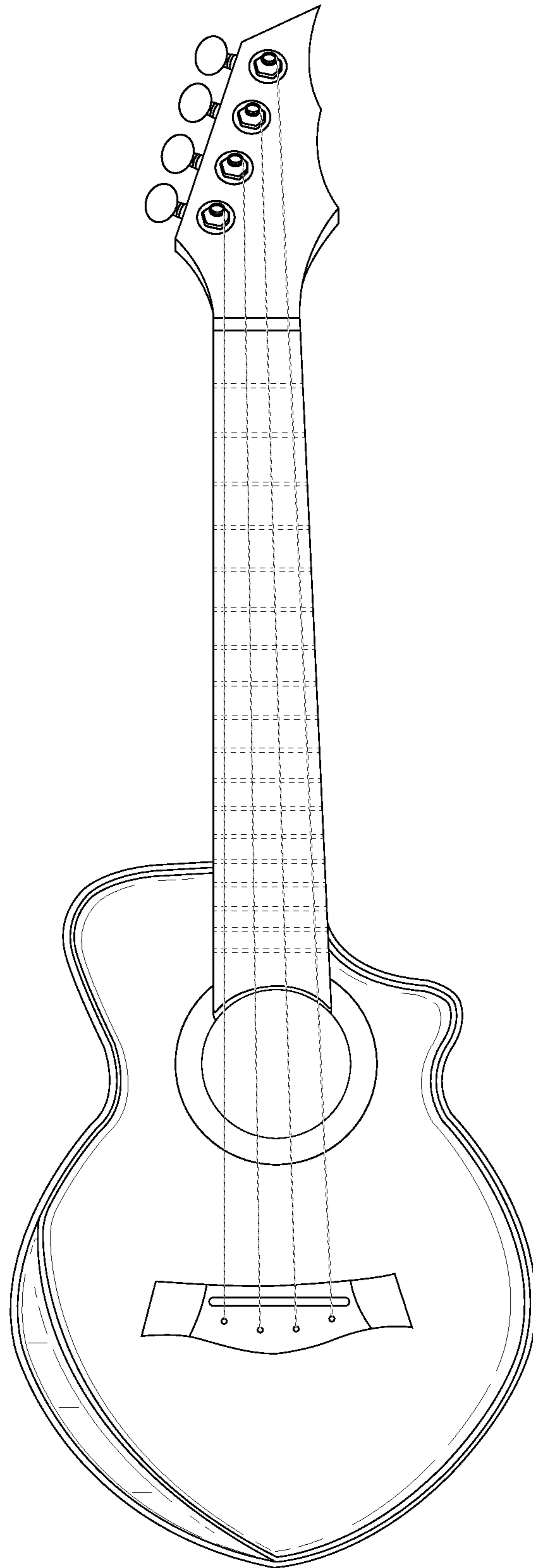


FIG. 2

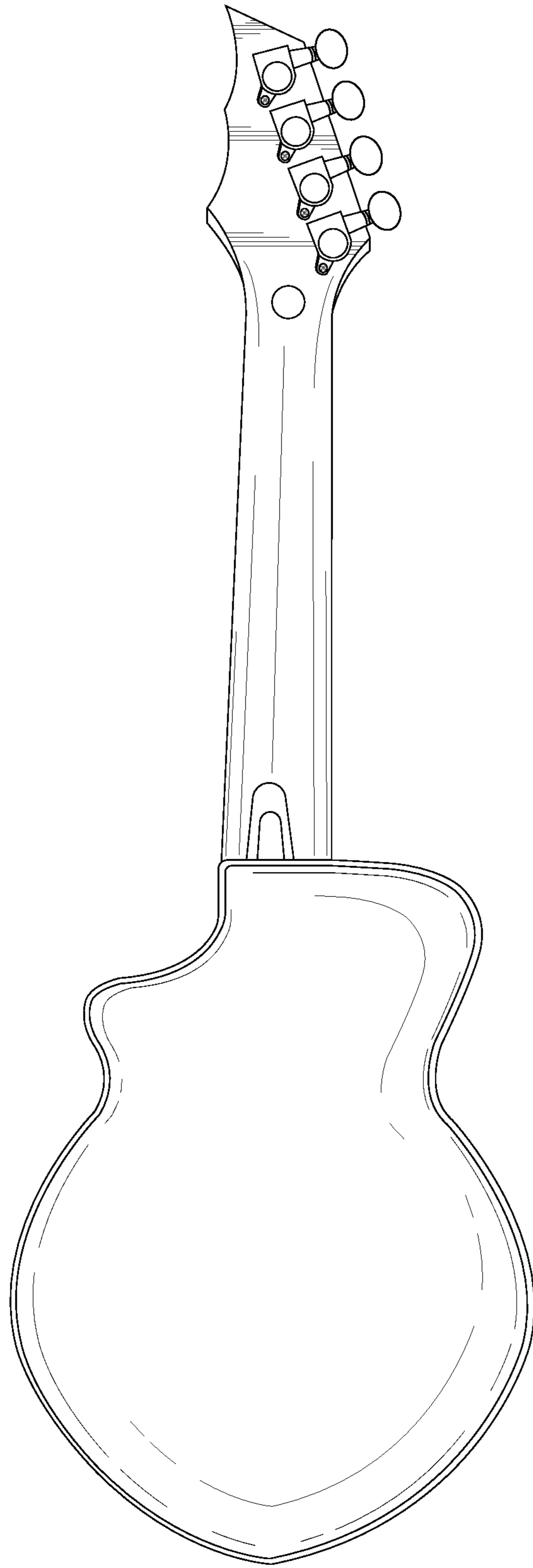


FIG. 3

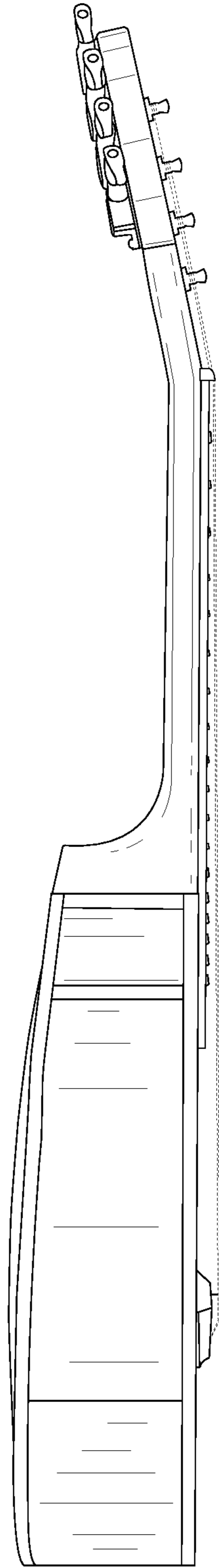


FIG. 4

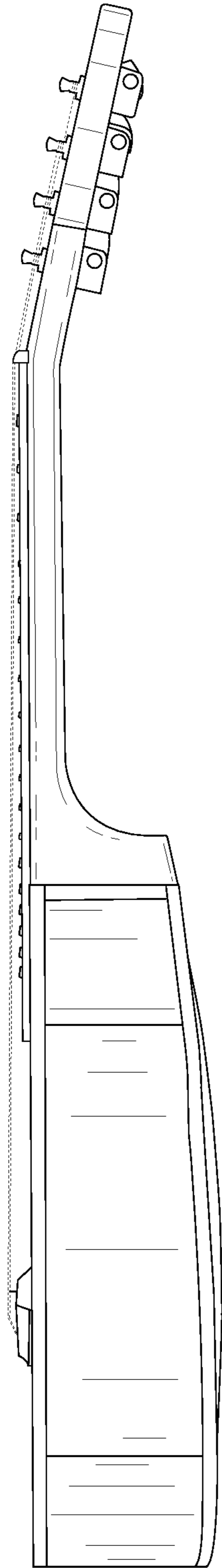


FIG. 5

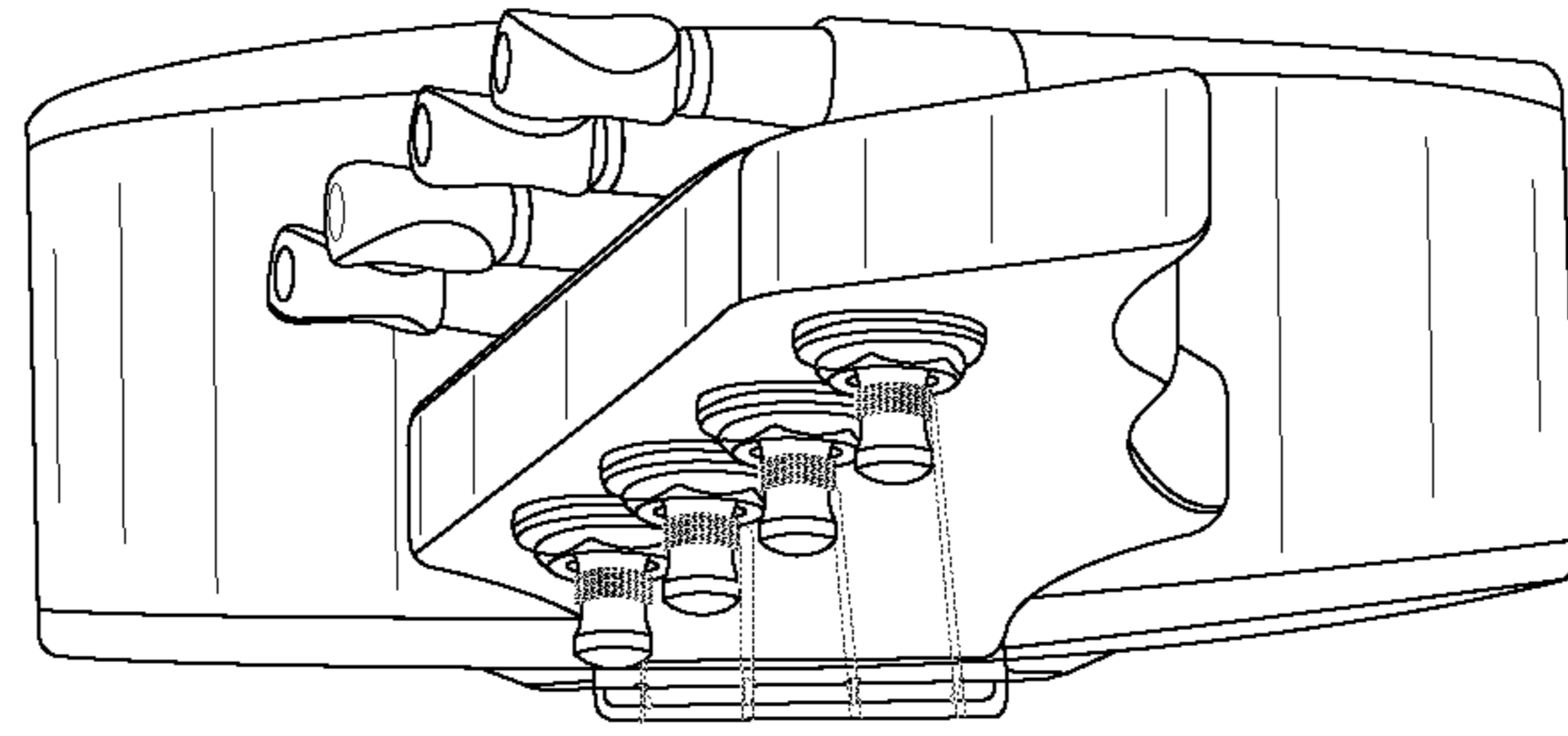


FIG. 6

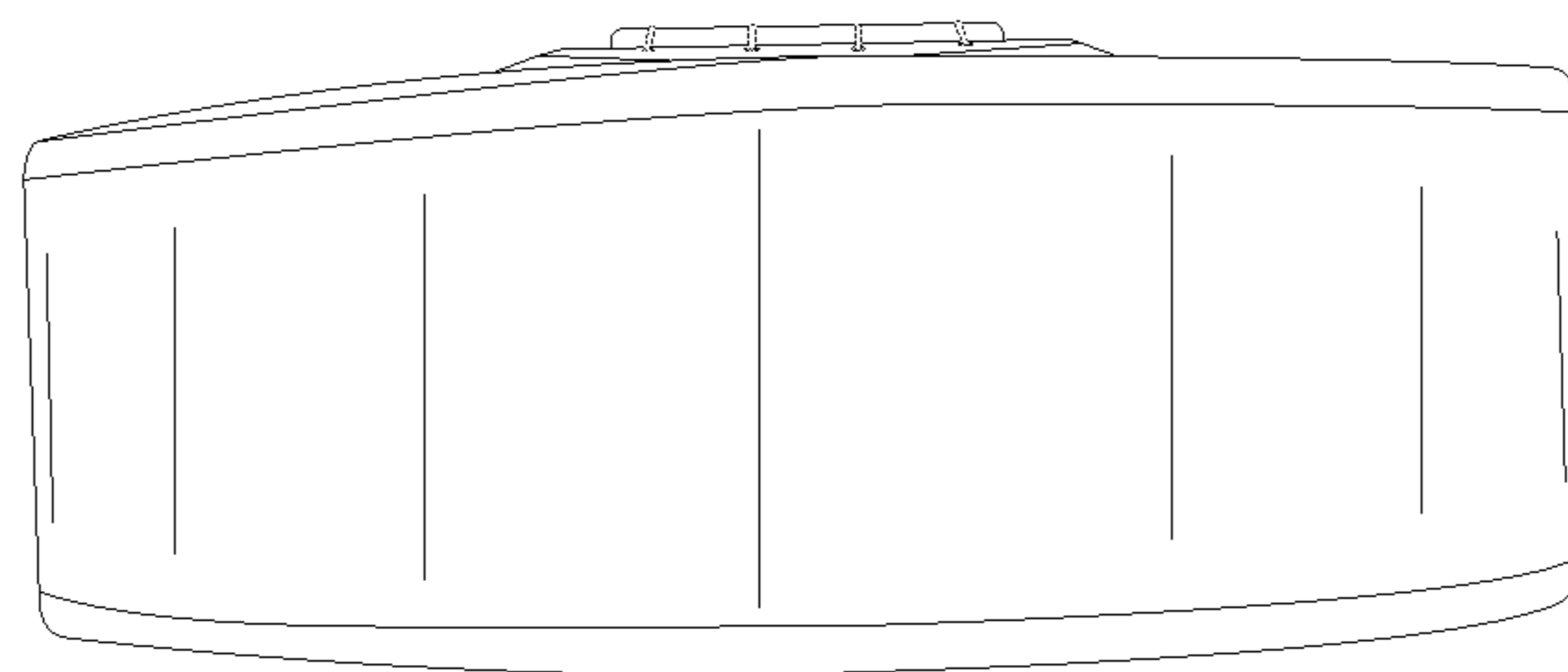


FIG. 7