



US00D928219S

(12) **United States Design Patent**
Yang

(10) **Patent No.:** **US D928,219 S**

(45) **Date of Patent:** **** Aug. 17, 2021**

(54) **REAR FACING CAR SEAT MONITOR**

(71) Applicant: **UNIVERSAL TECHNOLOGY INDUSTRIAL (HK) LIMITED,**
Kowloon (CN)

(72) Inventor: **Chunmei Yang,** Shenzhen (CN)

(**) Term: **15 Years**

(21) Appl. No.: **29/749,931**

(22) Filed: **Sep. 10, 2020**

(51) **LOC (13) Cl.** **16-01**

(52) **U.S. Cl.**
USPC **D16/218**

(58) **Field of Classification Search**
USPC D16/200–208, 210, 214, 218, 219, 242;
348/373–376; 396/419, 427, 428, 535,
396/539–541

CPC G03B 15/03; G03B 17/02; G03B 17/04;
G03B 17/56; G03B 19/04; H04N 5/2251;
H04N 5/2252; H04N 5/2253; H04N
5/2254; H04N 2101/00

See application file for complete search history.

(56) **References Cited**

U.S. PATENT DOCUMENTS

D694,797 S * 12/2013 Parker D16/203
D713,439 S * 9/2014 Zhang D16/210
D721,753 S * 1/2015 Park D16/202
D742,953 S 11/2015 Li

D747,386 S 1/2016 Li
D810,806 S 2/2018 Kim et al.
D839,945 S * 2/2019 Lenz D16/218
D849,098 S * 5/2019 Kapuria D16/208
D875,803 S * 2/2020 Yuan D16/202
D876,522 S 2/2020 Duffy et al.
D889,475 S * 7/2020 Yamamoto D14/447
D898,798 S * 10/2020 Xiong D16/202
D904,486 S * 12/2020 Xiong D16/208
D904,487 S * 12/2020 Xiong D16/208
D907,098 S * 1/2021 Xiong D16/208

* cited by examiner

Primary Examiner — Ramzi Almatrahi

(74) *Attorney, Agent, or Firm* — Rumit Ranjit Kanakia

(57) **CLAIM**

I claim the ornamental design for a rear facing car seat monitor, as shown and described.

DESCRIPTION

FIG. 1 is a top, front and right side perspective view of a rear facing car seat monitor showing my new design;

FIG. 2 is a Front view thereof;

FIG. 3 is a Back view thereof;

FIG. 4 is a Left-side view thereof;

FIG. 5 is a Right-side view thereof;

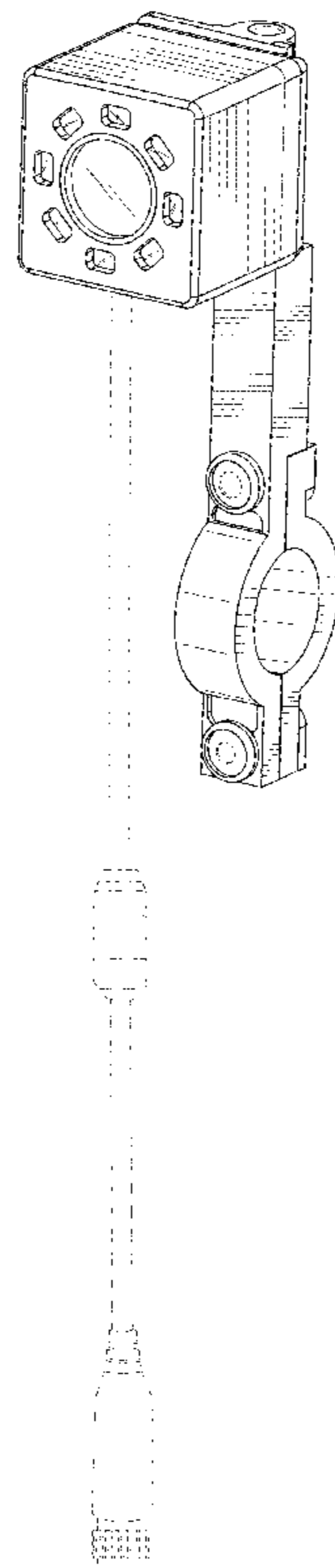
FIG. 6 is a Top view thereof;

FIG. 7 is a Bottom view thereof; and,

FIG. 8 is a top, front and left side perspective view thereof shown with the rear car seat monitor in condition of use.

The broken lines depict portions of the rear facing car seat monitor that form no part of the claimed design.

1 Claim, 5 Drawing Sheets



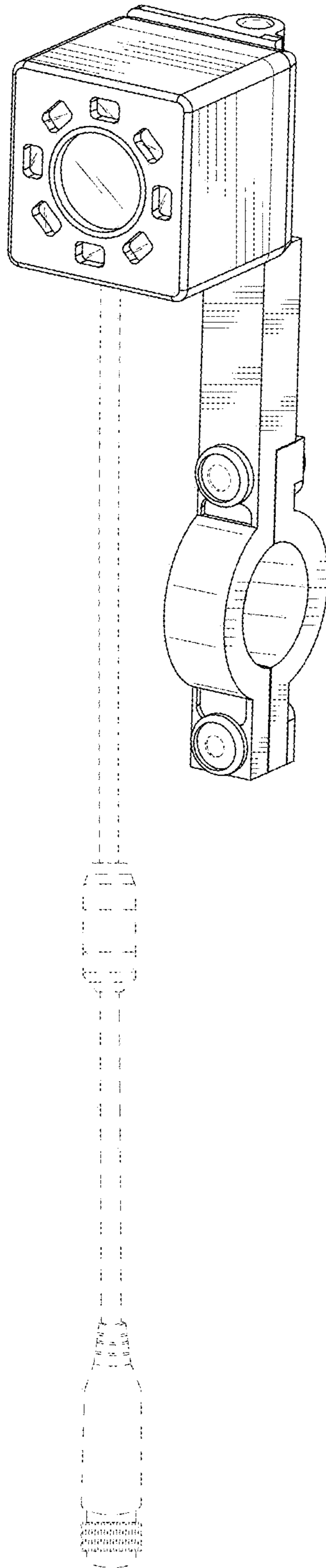


FIG. 1

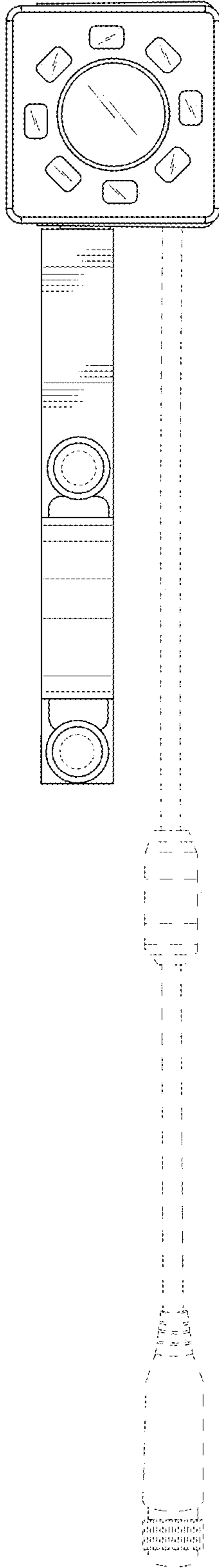


FIG. 2

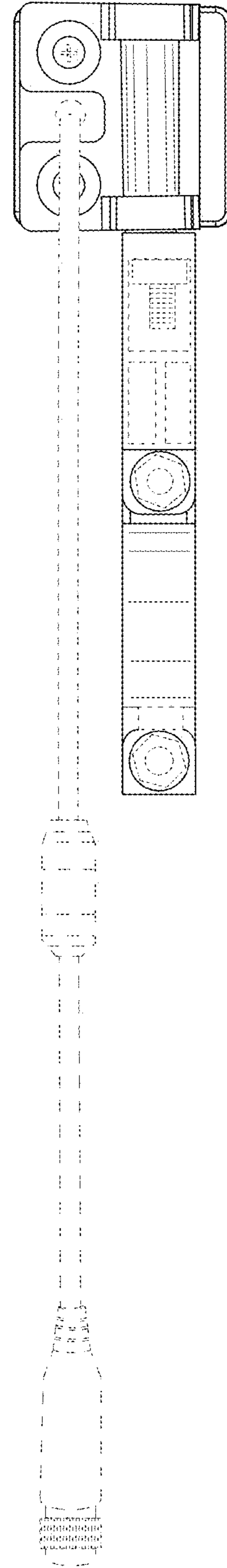


FIG. 3

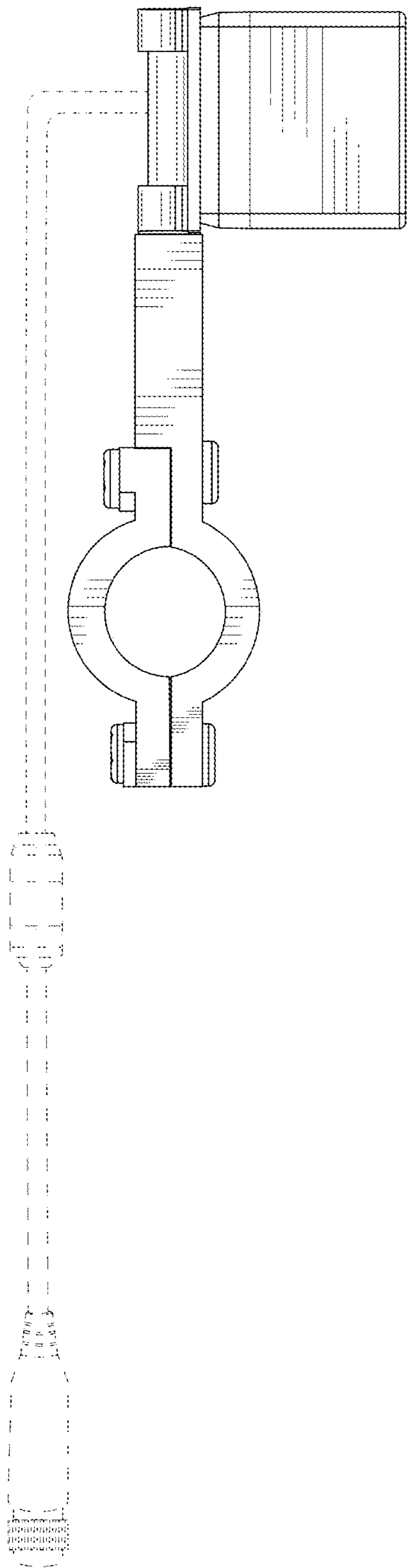


FIG. 4

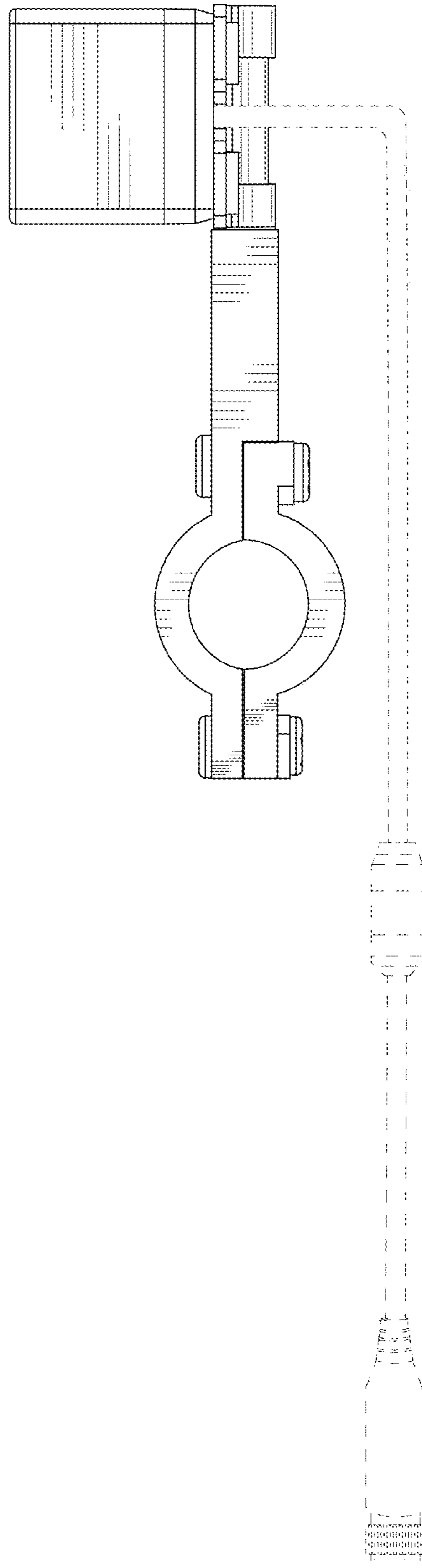


FIG. 5

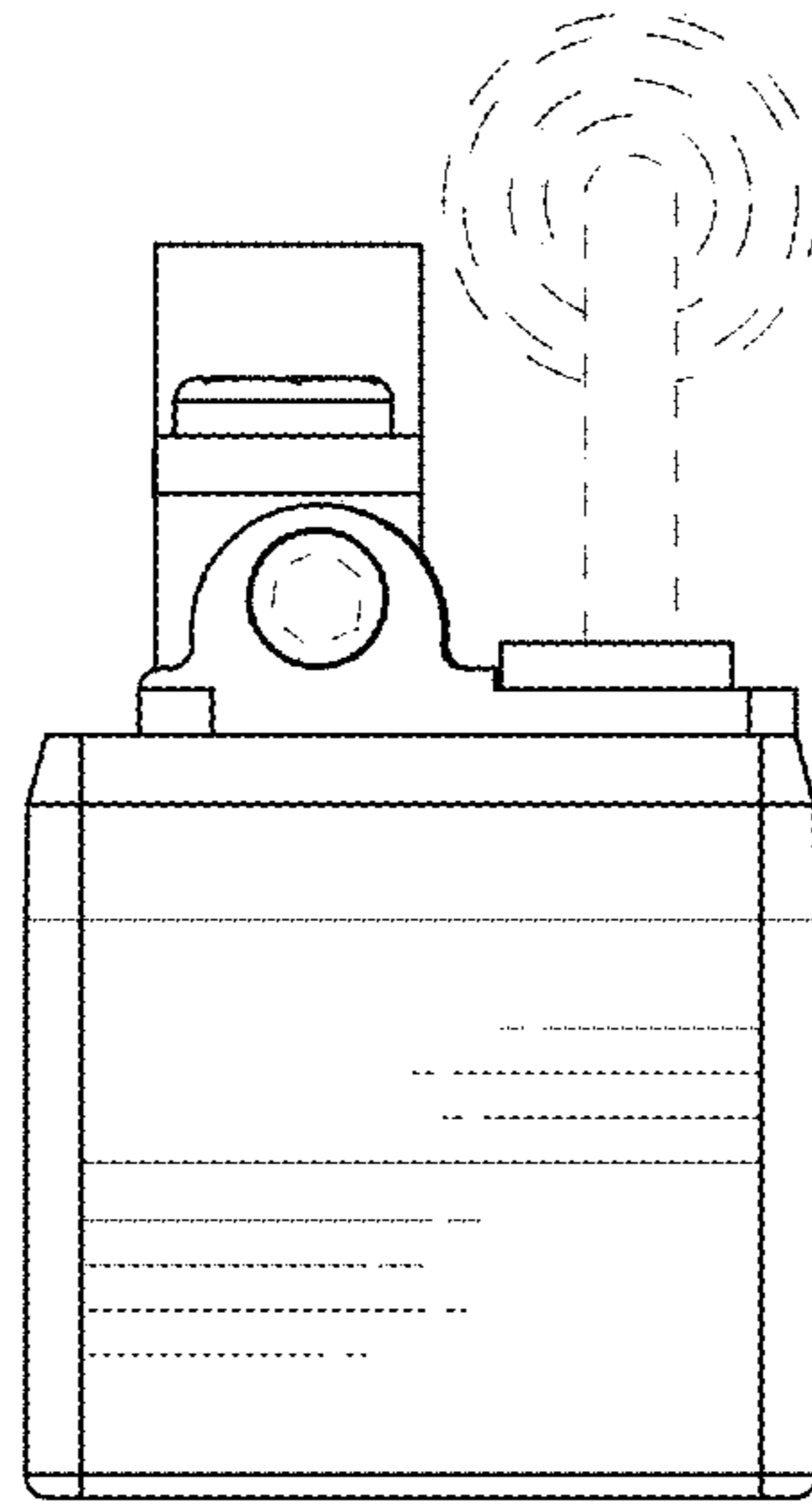


FIG. 6

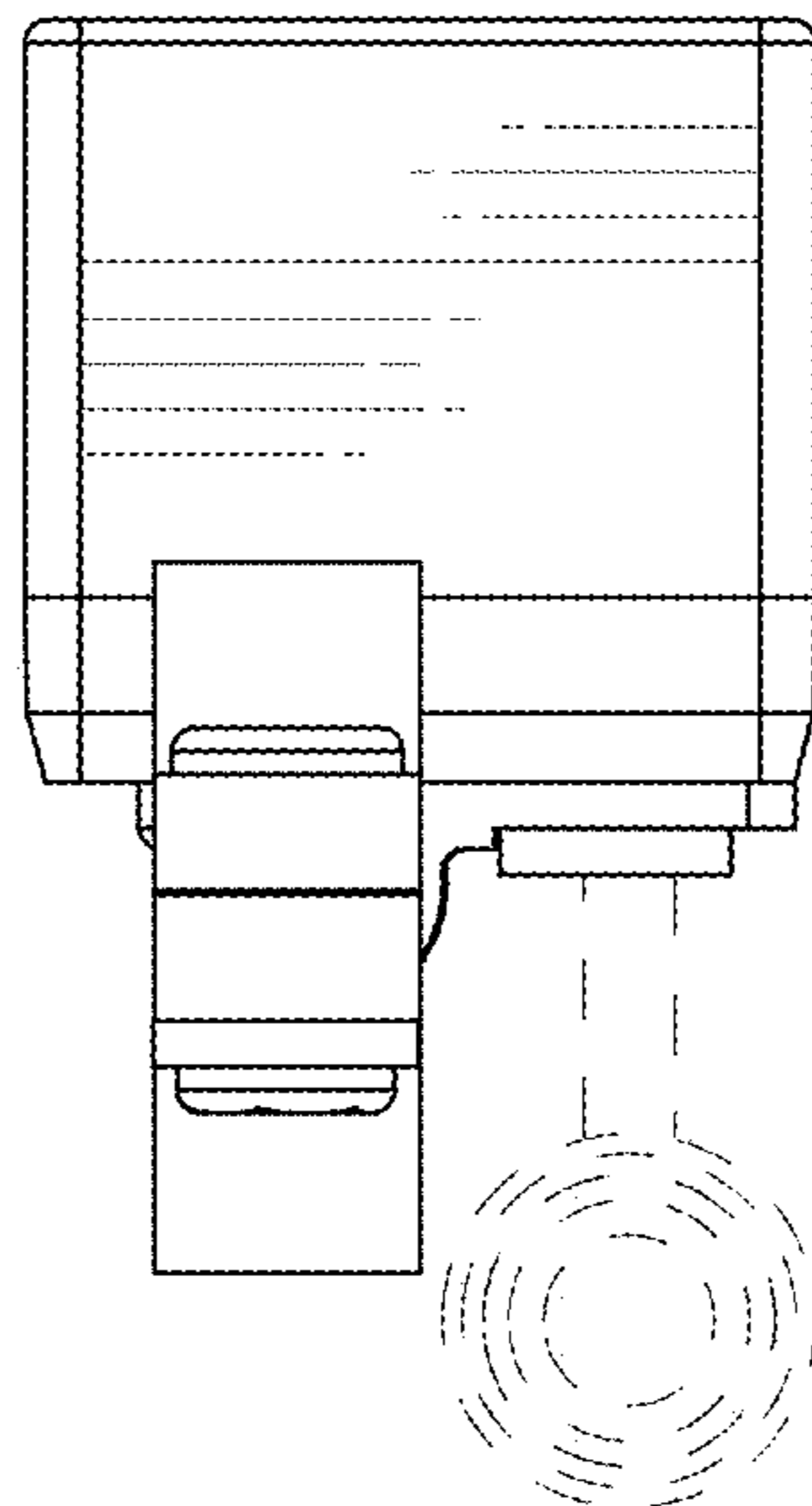


FIG. 7

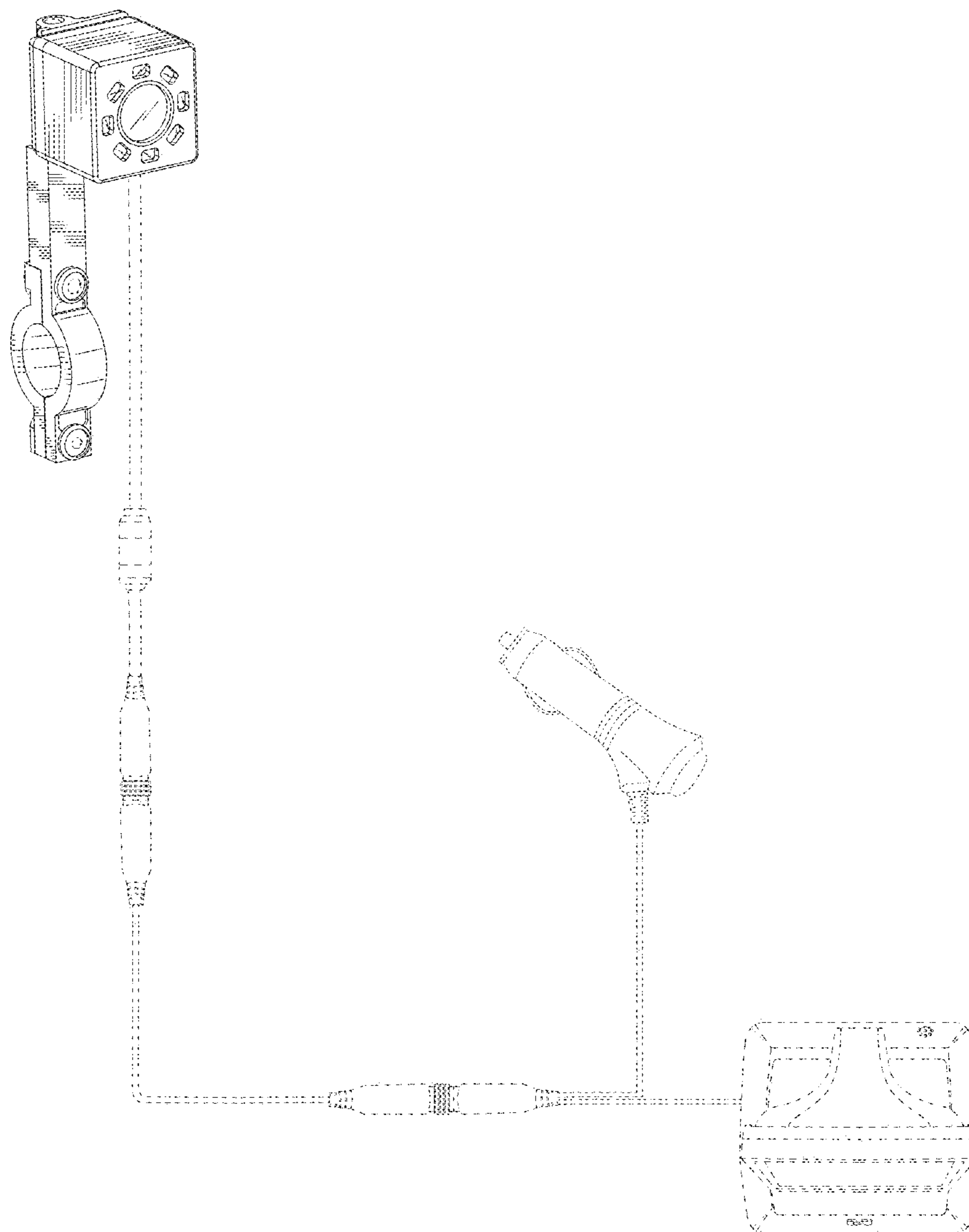


FIG. 8