



US00D928218S

(12) **United States Design Patent**  
**Liu**

(10) **Patent No.:** **US D928,218 S**

(45) **Date of Patent:** **\*\* Aug. 17, 2021**

(54) **GIMBAL CAMERA**

(71) Applicant: **Autel Robotics Co., Ltd.**, Guangdong (CN)

(72) Inventor: **Zhengwen Liu**, Guangdong (CN)

(73) Assignee: **AUTEL ROBOTICS CO., LTD.**, Shenzhen (CN)

(\*\*) Term: **15 Years**

(21) Appl. No.: **29/718,741**

(22) Filed: **Dec. 27, 2019**

(30) **Foreign Application Priority Data**

Jun. 28, 2019 (CN) ..... 201930342045.0

(51) **LOC (13) Cl.** ..... **16-01**

(52) **U.S. Cl.**  
USPC ..... **D16/218; D16/219**

(58) **Field of Classification Search**

USPC ..... D16/200, 202-206, 208, 211, 214, 218,  
D16/219, 237, 242, 244; D14/130, 132,  
D14/144; D10/104.1, 104.2, 106.1,  
D10/106.2, 106.5; 348/164, 347,  
348/373-376; 396/535, 539-541;  
250/330, 332

CPC ..... G03B 15/00; G03B 15/03; G03B 17/02;  
G03B 17/04; G03B 17/56; G03B 19/04;  
H04N 5/2251; H04N 5/2252; H04N  
5/2253; H04N 5/2254; H04N 2101/00;  
F16M 11/04; F16M 13/00

See application file for complete search history.

(56) **References Cited**

**U.S. PATENT DOCUMENTS**

D694,802 S \* 12/2013 Coyle ..... D16/237  
D732,601 S \* 6/2015 Coyle ..... D16/237

D738,951 S \* 9/2015 Coyle ..... D16/237  
D754,242 S \* 4/2016 Wang ..... D16/242  
D771,733 S \* 11/2016 Wang ..... D16/242  
D790,000 S \* 6/2017 Wang ..... D16/200  
D799,581 S \* 10/2017 Lin ..... D16/242  
D813,924 S \* 3/2018 Zheng ..... D16/203  
D816,150 S \* 4/2018 Liao ..... D16/242  
D836,699 S \* 12/2018 Kim ..... D16/206  
D874,532 S \* 2/2020 Chen ..... D16/202  
D891,503 S \* 7/2020 Wang ..... D16/218  
D894,993 S \* 9/2020 Hurndell ..... D16/218

\* cited by examiner

*Primary Examiner* — Ramzi S Almatrahi

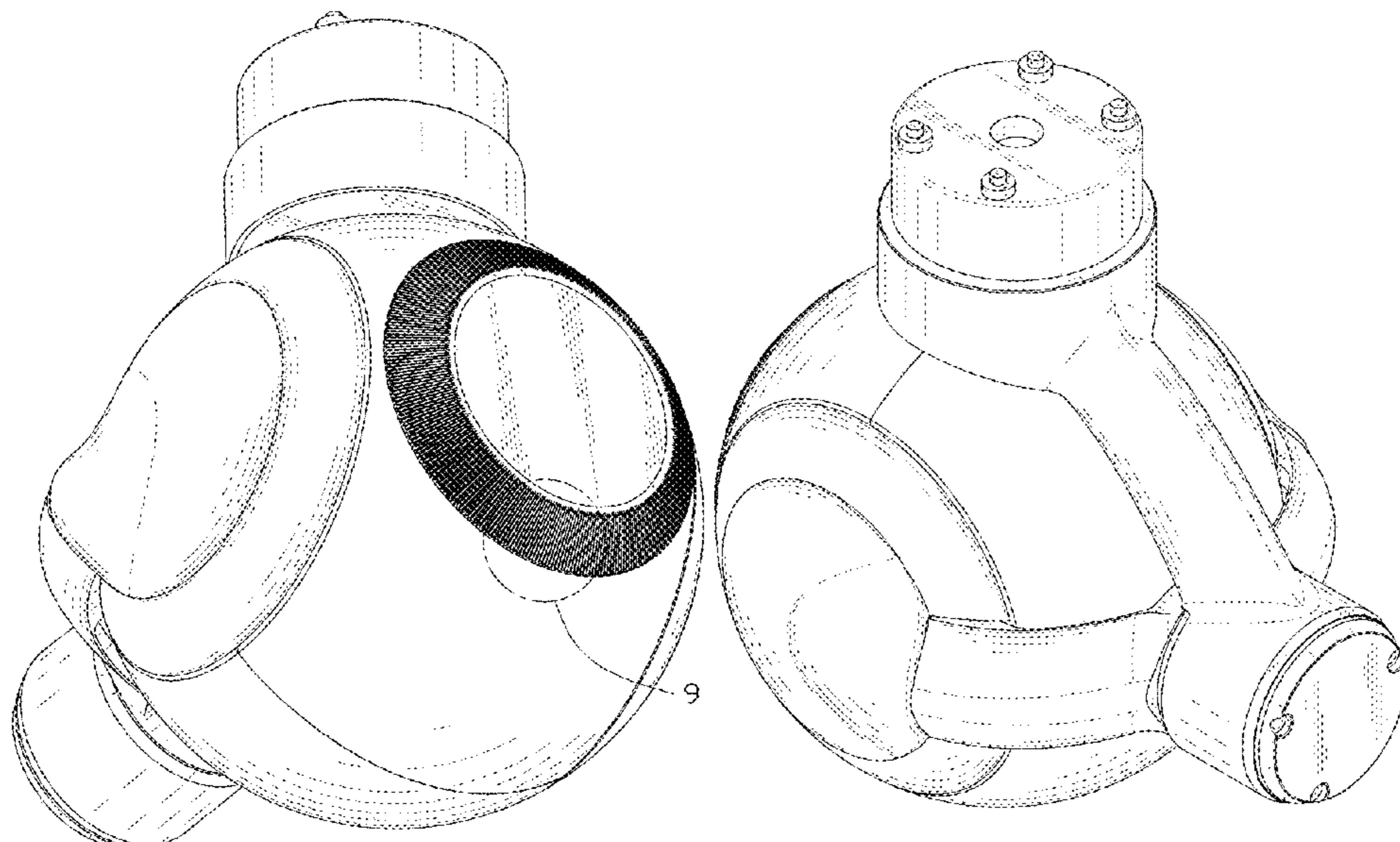
(57) **CLAIM**

The ornamental design for a gimbal camera, as shown and described.

**DESCRIPTION**

FIG. 1 is a front elevational view of a gimbal camera showing my new design;  
FIG. 2 is a back elevational view thereof;  
FIG. 3 is a left side elevational view thereof;  
FIG. 4 is a right side elevational view thereof;  
FIG. 5 is a top plan view thereof;  
FIG. 6 is a bottom plan view thereof;  
FIG. 7 is a front perspective view thereof;  
FIG. 8 is a back perspective view thereof; and,  
FIG. 9 is an enlarged view of portion 9 shown in FIG. 7.  
The broken lines depict portions of the gimbal camera in which the design is embodied that form no part of the claimed design. Additionally, the dot-dash broken lines encircling an enlargement portion of the design forms no part of the claimed design.

**1 Claim, 9 Drawing Sheets**



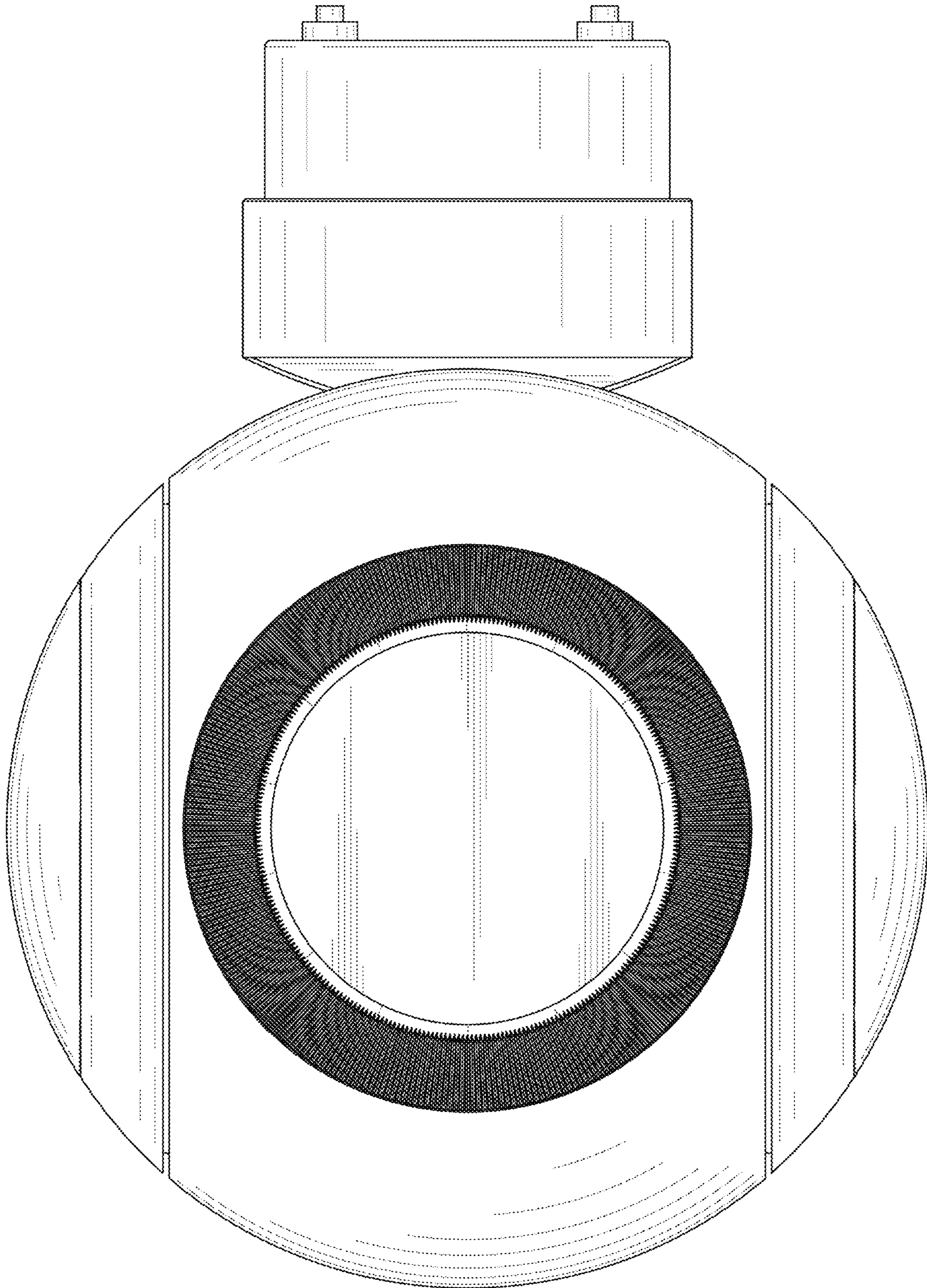


Fig. 1

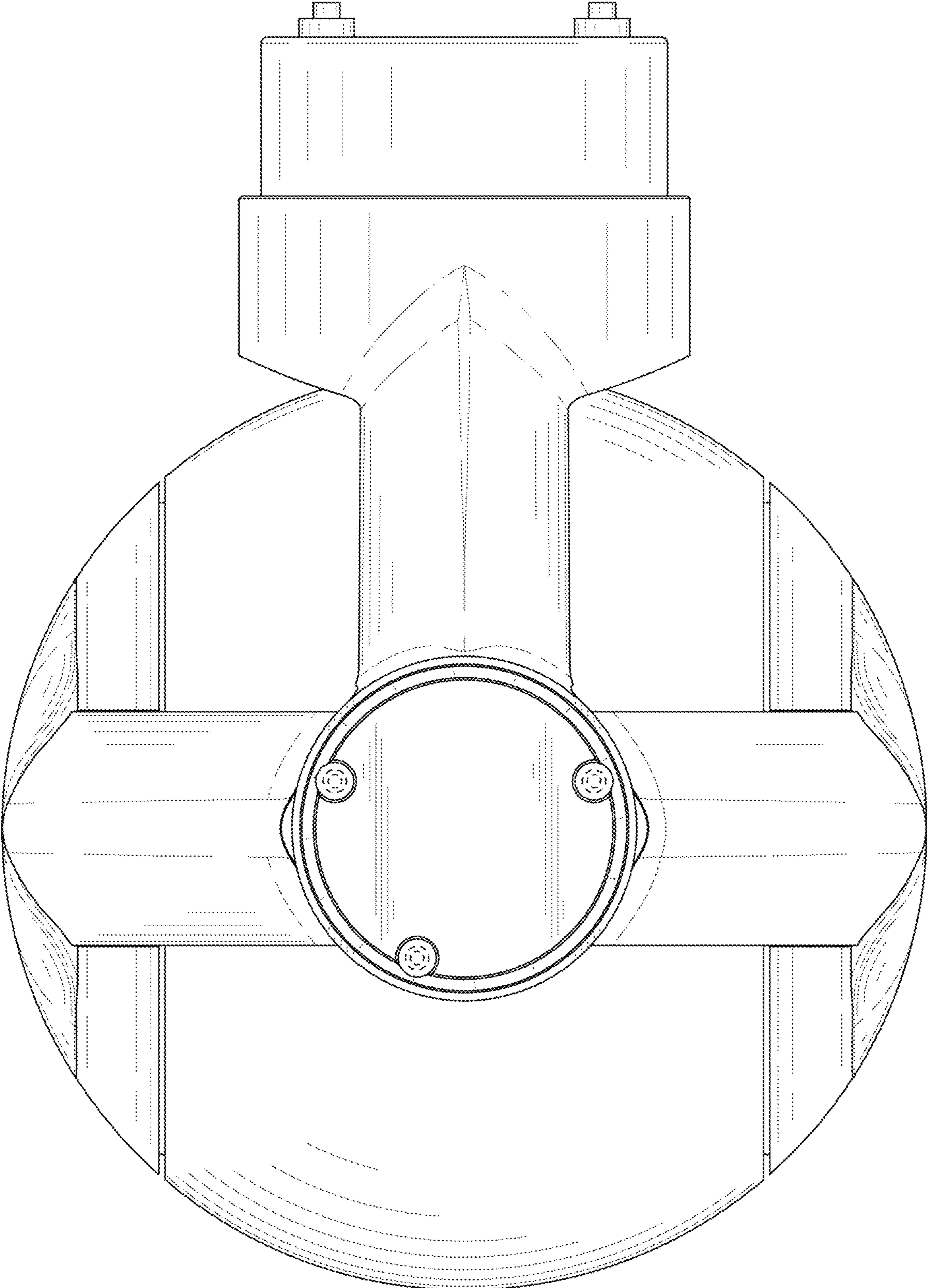


Fig. 2

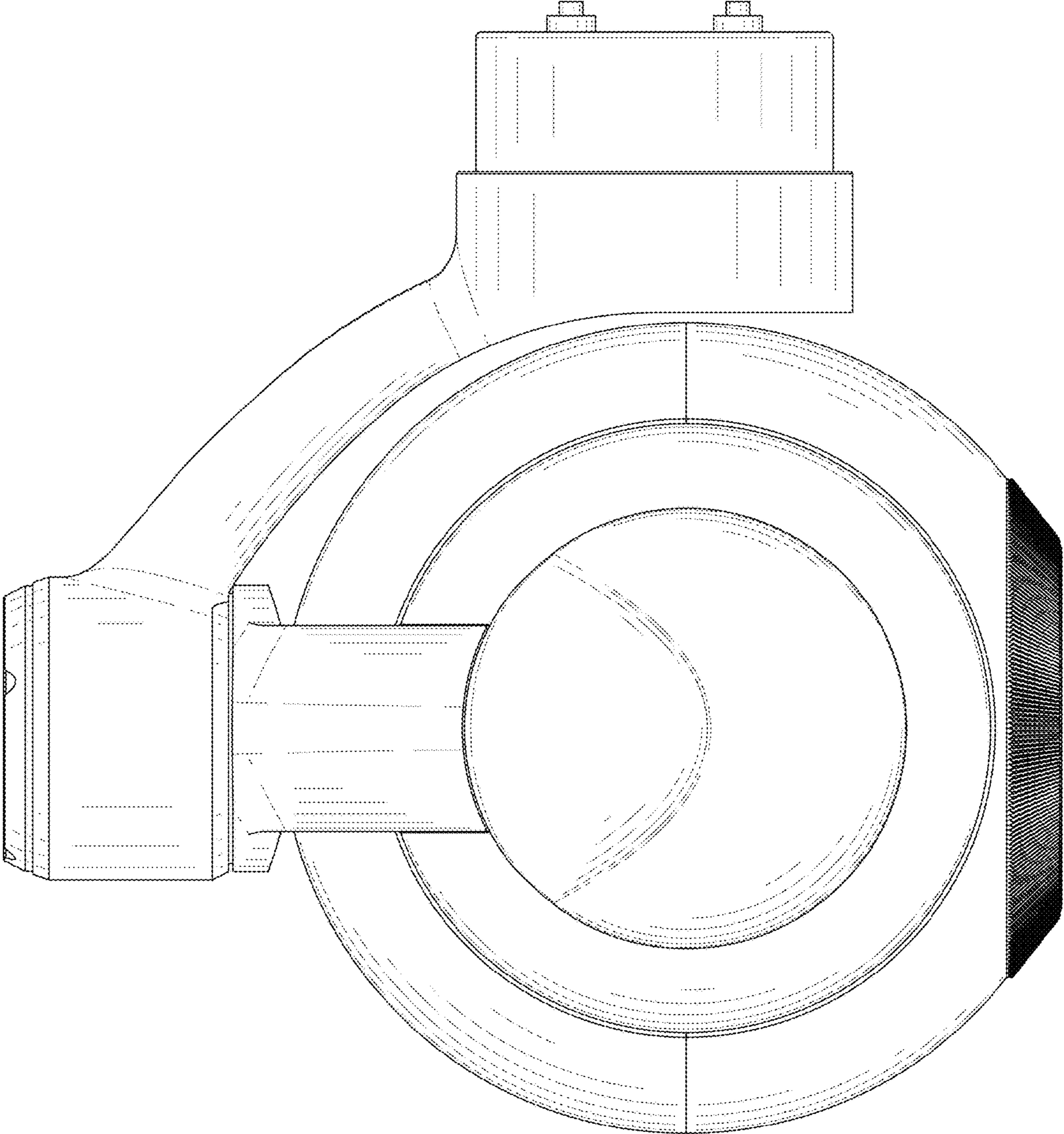


Fig. 3

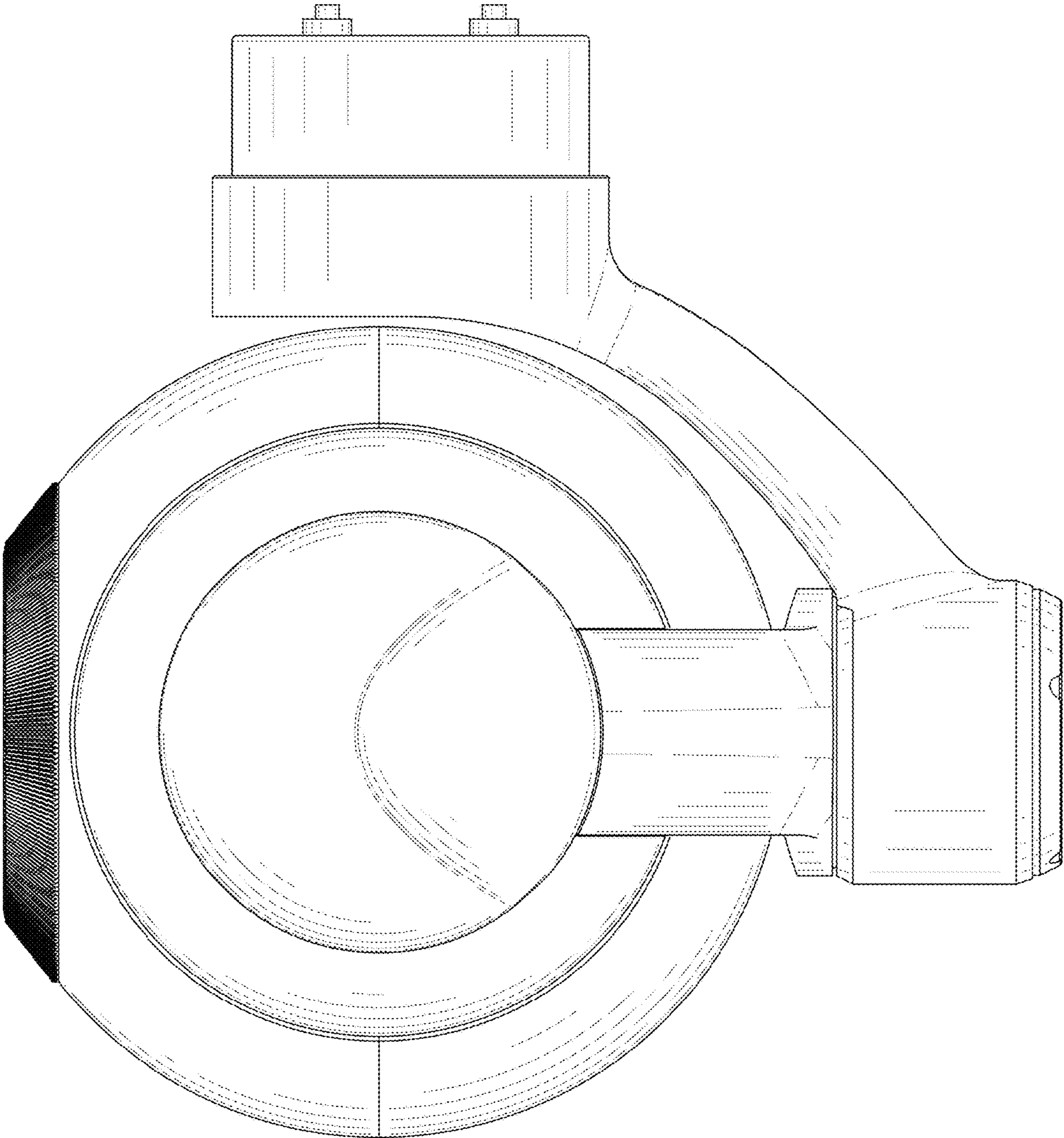


Fig. 4

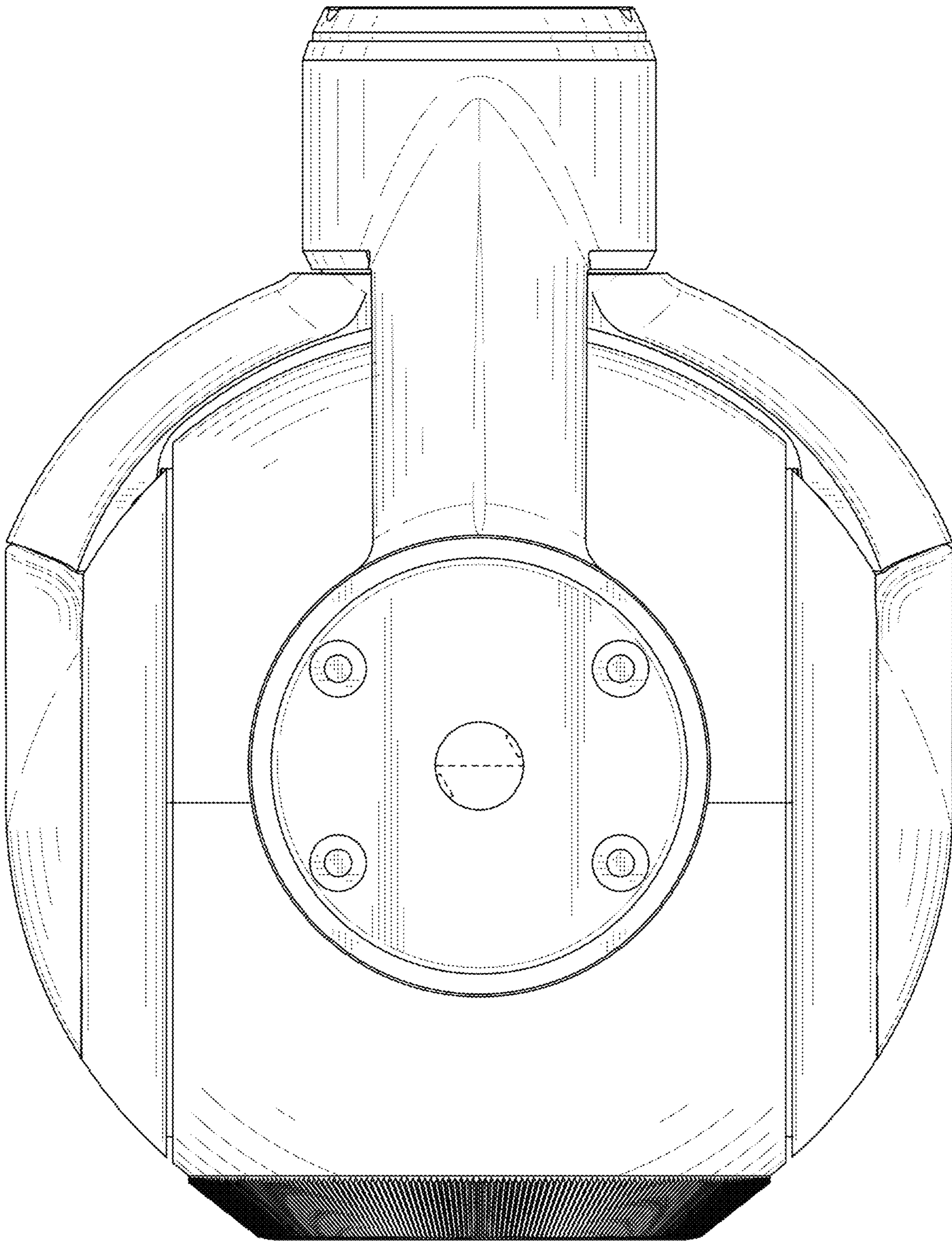


Fig. 5

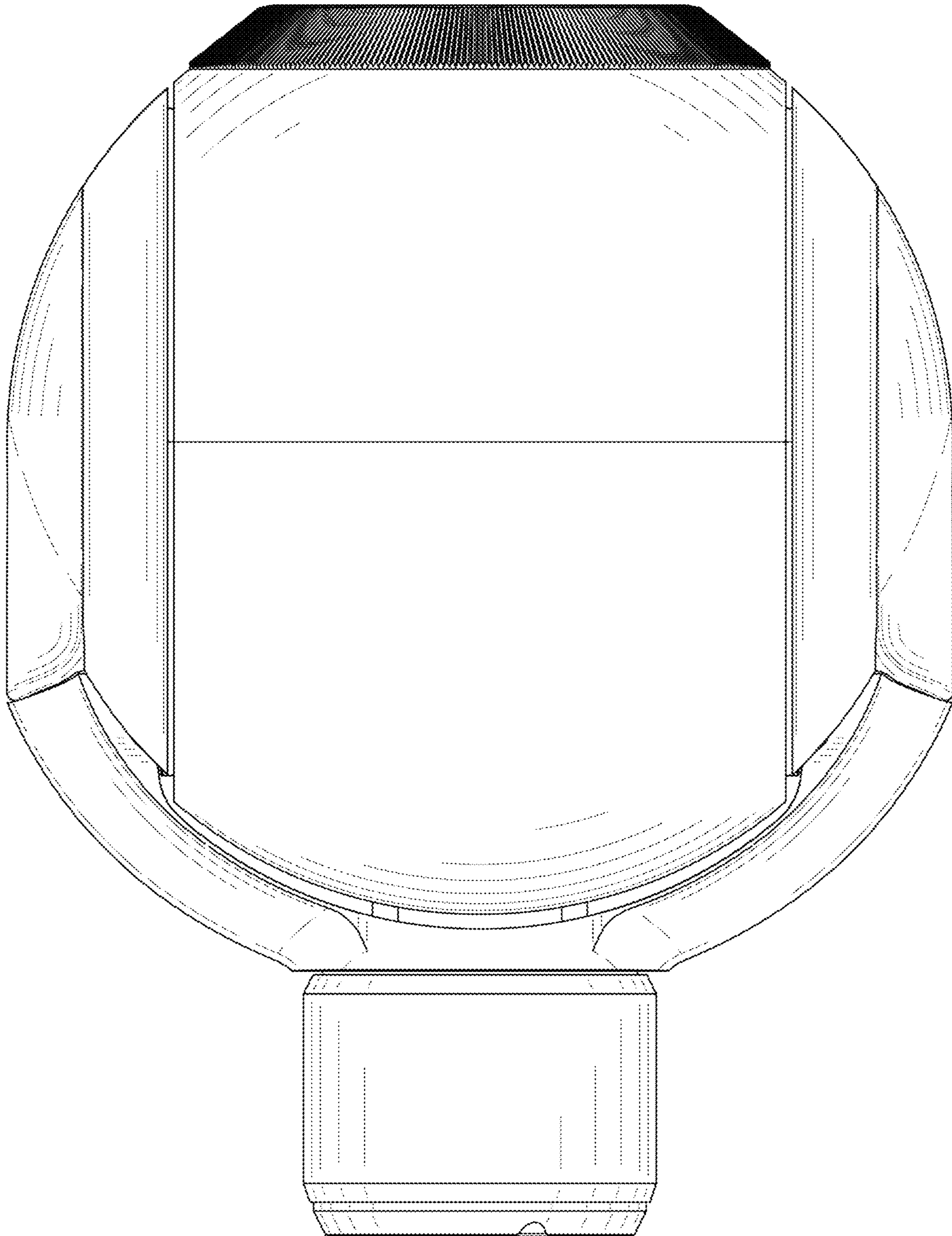


Fig. 6

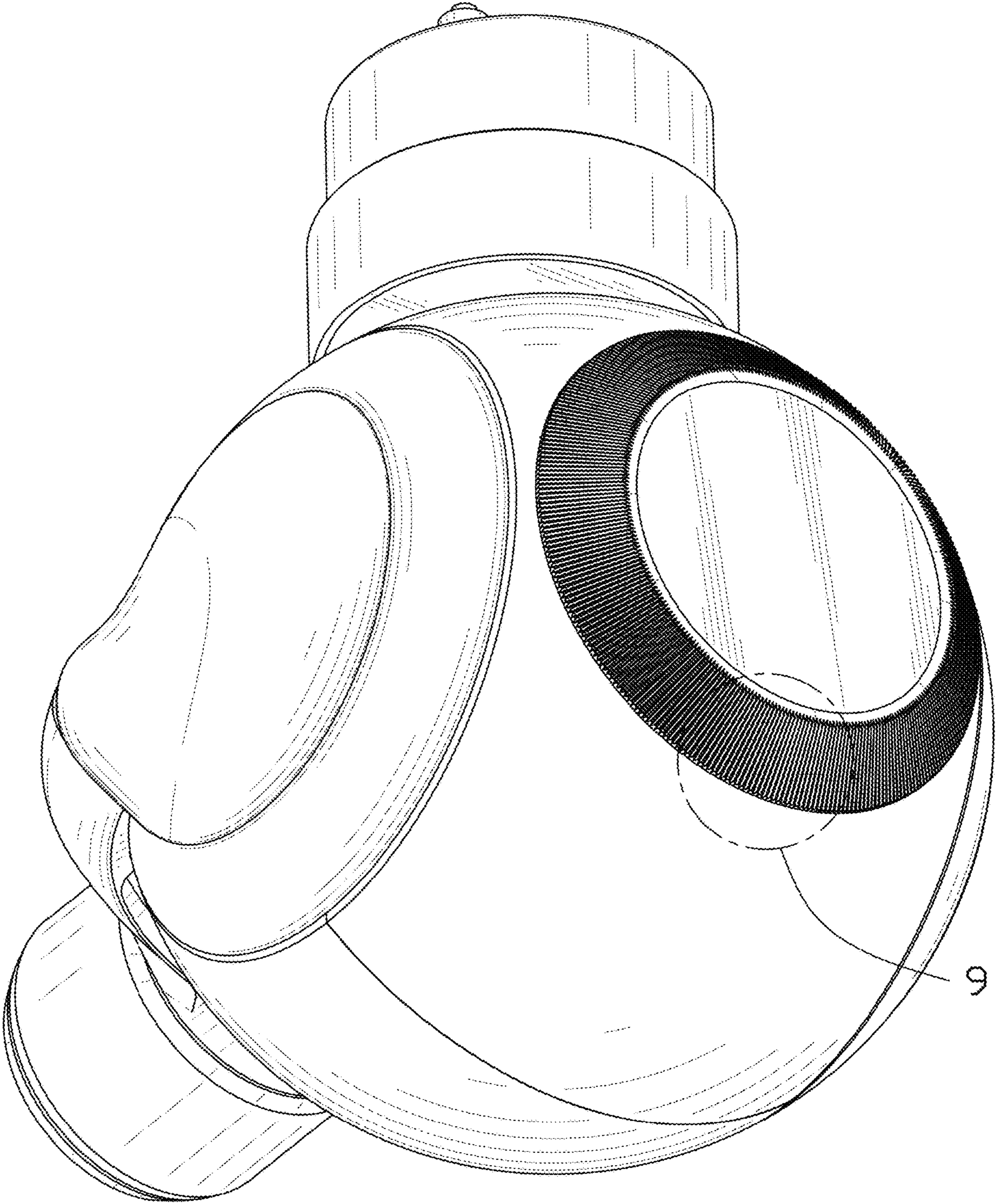


Fig. 7



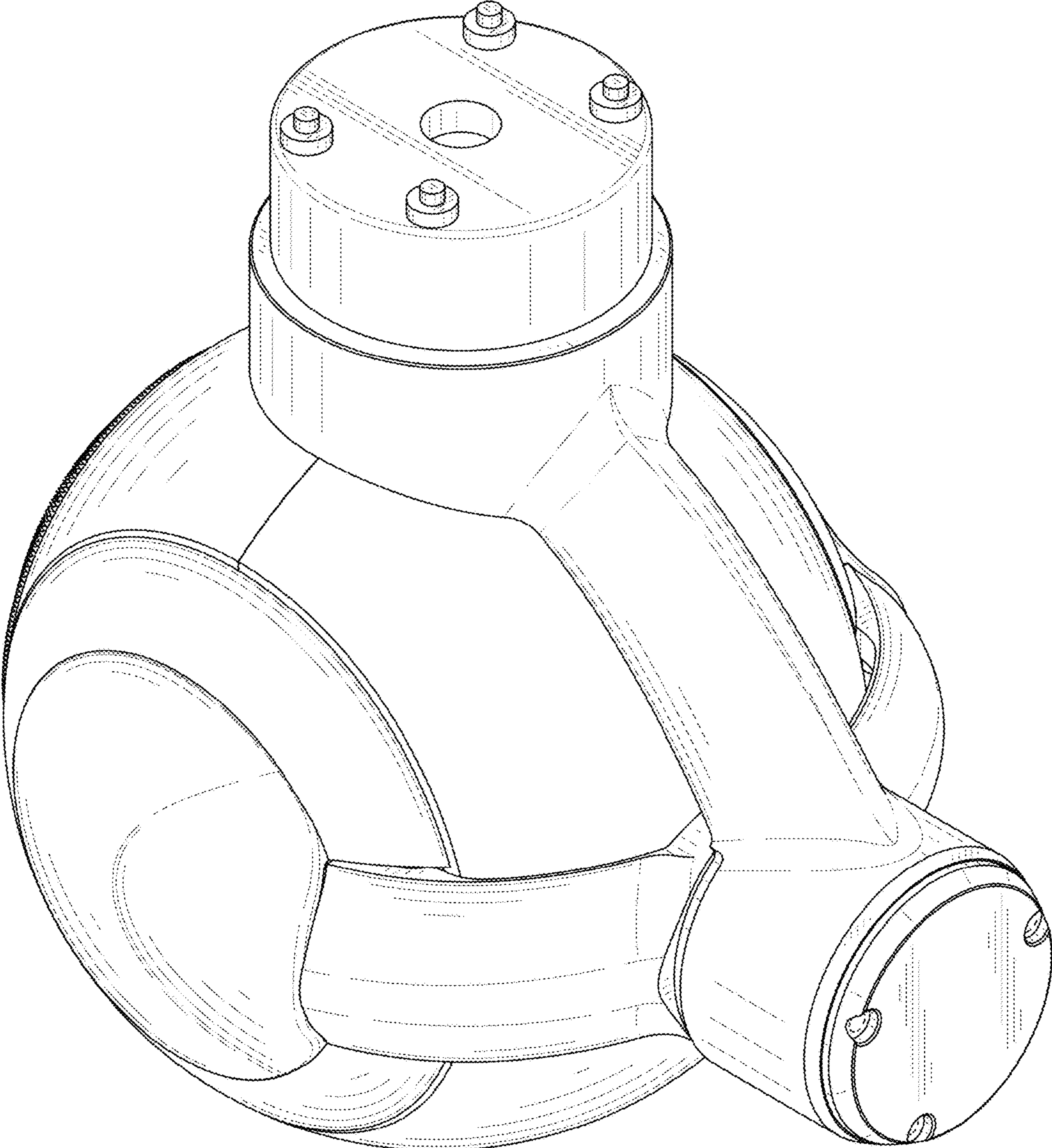


Fig. 8

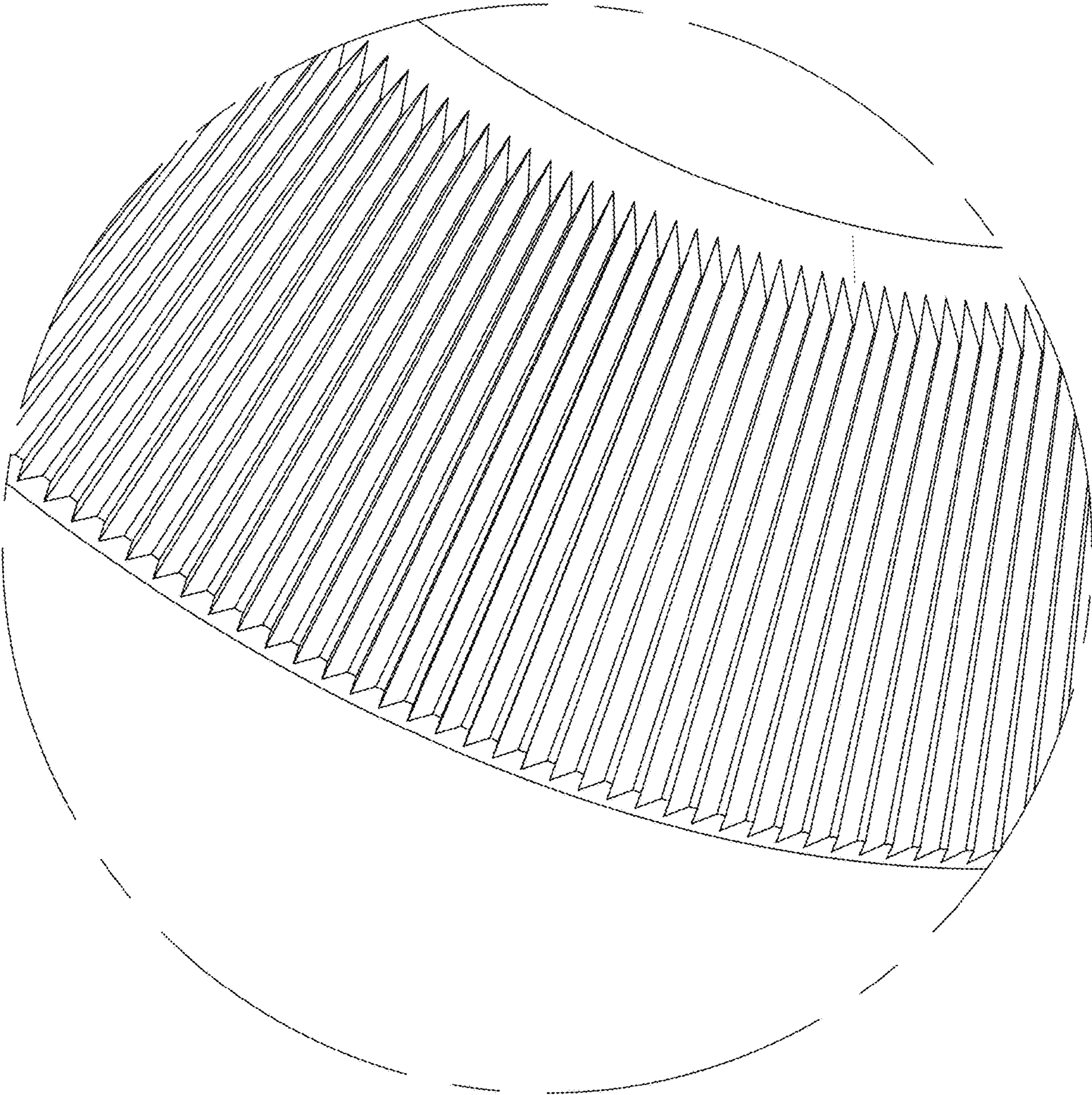


Fig. 9