



US00D928215S

(12) **United States Design Patent**
Jiang

(10) **Patent No.:** **US D928,215 S**

(45) **Date of Patent:** **** Aug. 17, 2021**

(54) **TRAIL CAMERA**

(71) Applicant: **SHENZHEN ZHUOPU DIGITAL TECHNOLOGY CO., LTD.**, Shenzhen (CN)

(72) Inventor: **Qingwen Jiang**, Shenzhen (CN)

(73) Assignee: **SHENZHEN ZHUOPU DIGITAL TECHNOLOGY CO., LTD.**, Shenzhen (CN)

(**) Term: **15 Years**

(21) Appl. No.: **29/763,745**

(22) Filed: **Dec. 23, 2020**

(51) **LOC (13) Cl.** **16-01**

(52) **U.S. Cl.**
USPC **D16/203**

(58) **Field of Classification Search**
USPC D16/200, 202–206, 218, 219, 242;
348/143, 148, 151, 155, 164, 373–376;
396/419, 427, 535, 539–541
CPC G03B 17/02; G03B 19/04; G03B 17/56;
G03B 17/04; G03B 15/03; H04N 5/2251;
H04N 5/2252; H04N 5/2253; H04N
5/2254; H04N 7/181; H04N 7/183; H04N
7/18; G08B 13/1963; G08B 13/19619;
G08B 13/19632; G08B 13/19602; G08B
13/19634; F16M 11/04; F16M 13/00
See application file for complete search history.

(56) **References Cited**

U.S. PATENT DOCUMENTS

7,534,056	B2 *	5/2009	Cross	F16M 11/10 348/143
D833,506	S *	11/2018	Chen	D16/218
D865,023	S *	10/2019	Chen	D16/203
D872,791	S *	1/2020	Chen	D16/203
D874,537	S *	2/2020	Ye	D16/203

D874,546	S *	2/2020	Yu	D16/218
D875,162	S *	2/2020	Yu	D16/218
D875,807	S *	2/2020	Luo	
D880,555	S *	4/2020	Yu	D16/203
D883,358	S *	5/2020	Ren	D16/203
D883,359	S *	5/2020	Ren	D16/203
D883,360	S *	5/2020	Ren	D16/203
D883,361	S *	5/2020	Ren	D16/203
D884,049	S *	5/2020	Wang	
D894,252	S *	8/2020	Han	D16/203

OTHER PUBLICATIONS

GardePro E2S Trail Camera 20MP 1080P Game Camera with 90ft Smart Night Vision Motion Activated Waterproof . . . , announced Dec. 16, 2020, Amazon.com, [online], [site visited Mar. 26, 2021], Available from Internet URL:<<https://www.amazon.com/GardePro-Activated-Waterproof-Wildlife-Scouting/dp/B08P7KH9TK>> (Year: 2020).*

* cited by examiner

Primary Examiner — Ramzi Almatrahi

(57) **CLAIM**

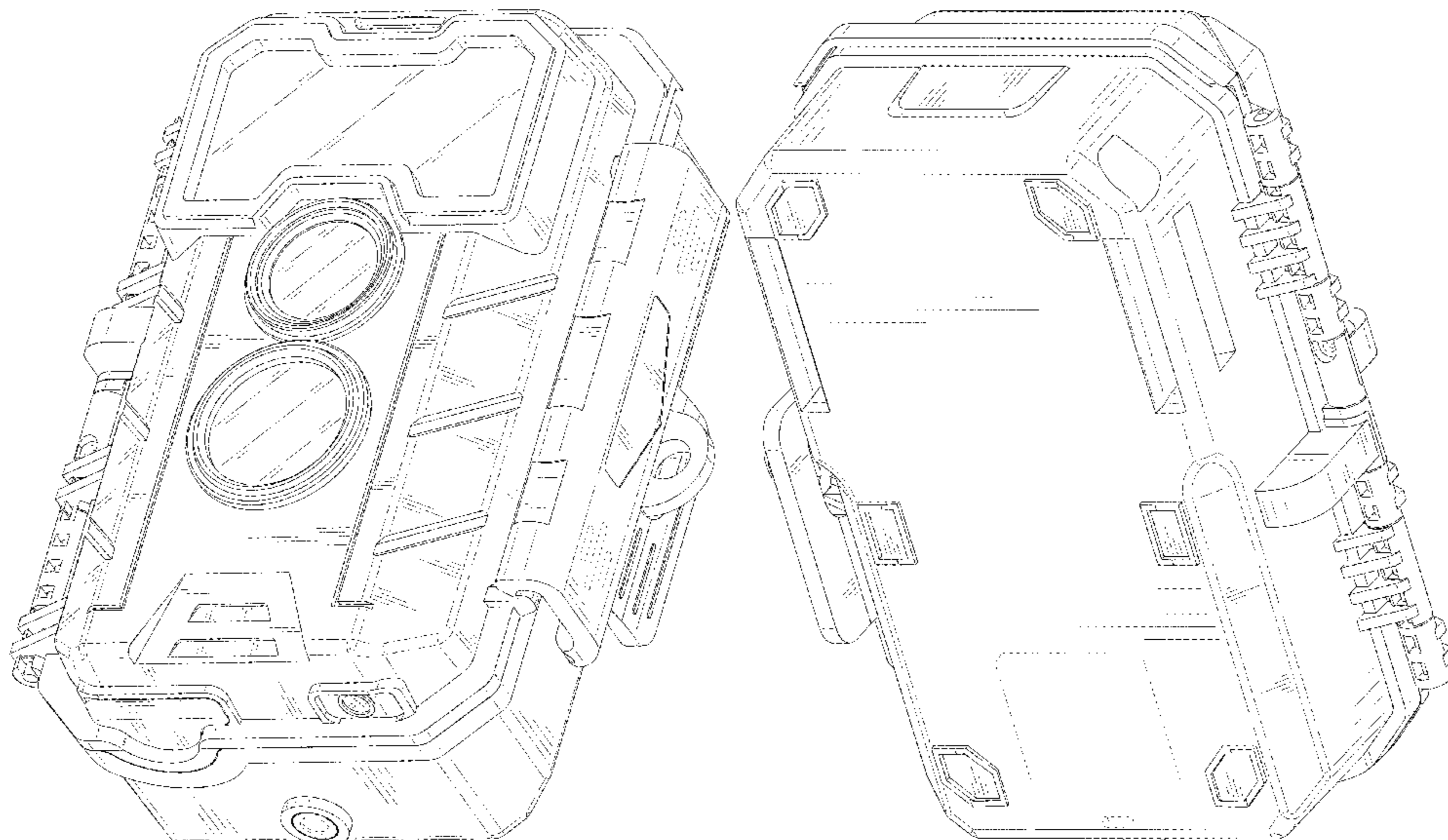
The ornamental design for a trail camera, as shown and described.

DESCRIPTION

FIG. 1 is a bottom, front, and right side perspective view of a trail camera showing my new design; FIG. 2 is a top, rear, and left side perspective view thereof; FIG. 3 is a front elevational view thereof; FIG. 4 is a rear elevational view thereof; FIG. 5 is a left side elevational view thereof; FIG. 6 is a right side elevational view thereof; FIG. 7 is a top plan view thereof; and, FIG. 8 is a bottom plan view thereof.

The broken lines in the drawings depict portions of the trail camera that form no part of the claimed design.

1 Claim, 8 Drawing Sheets



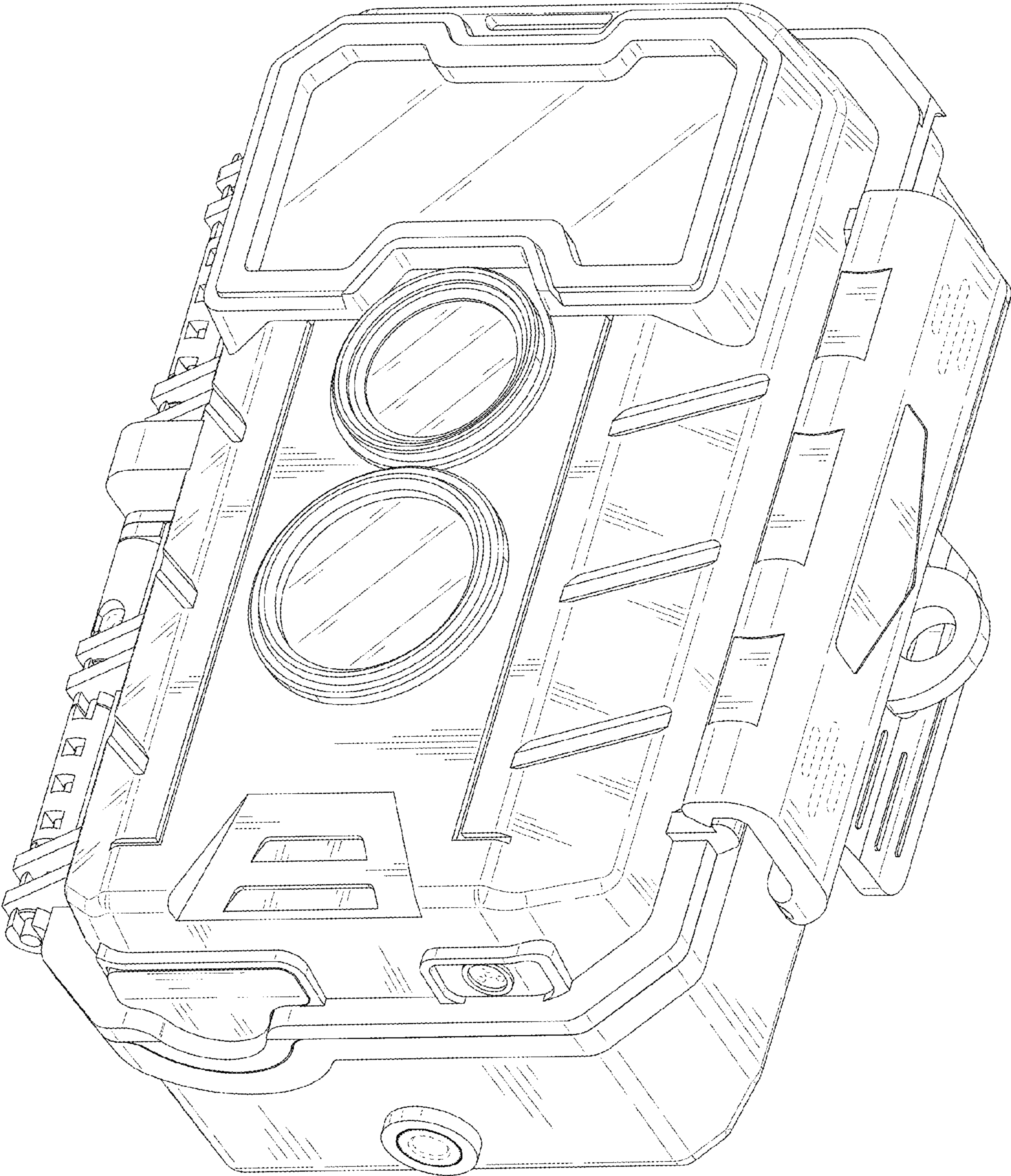


FIG. 1

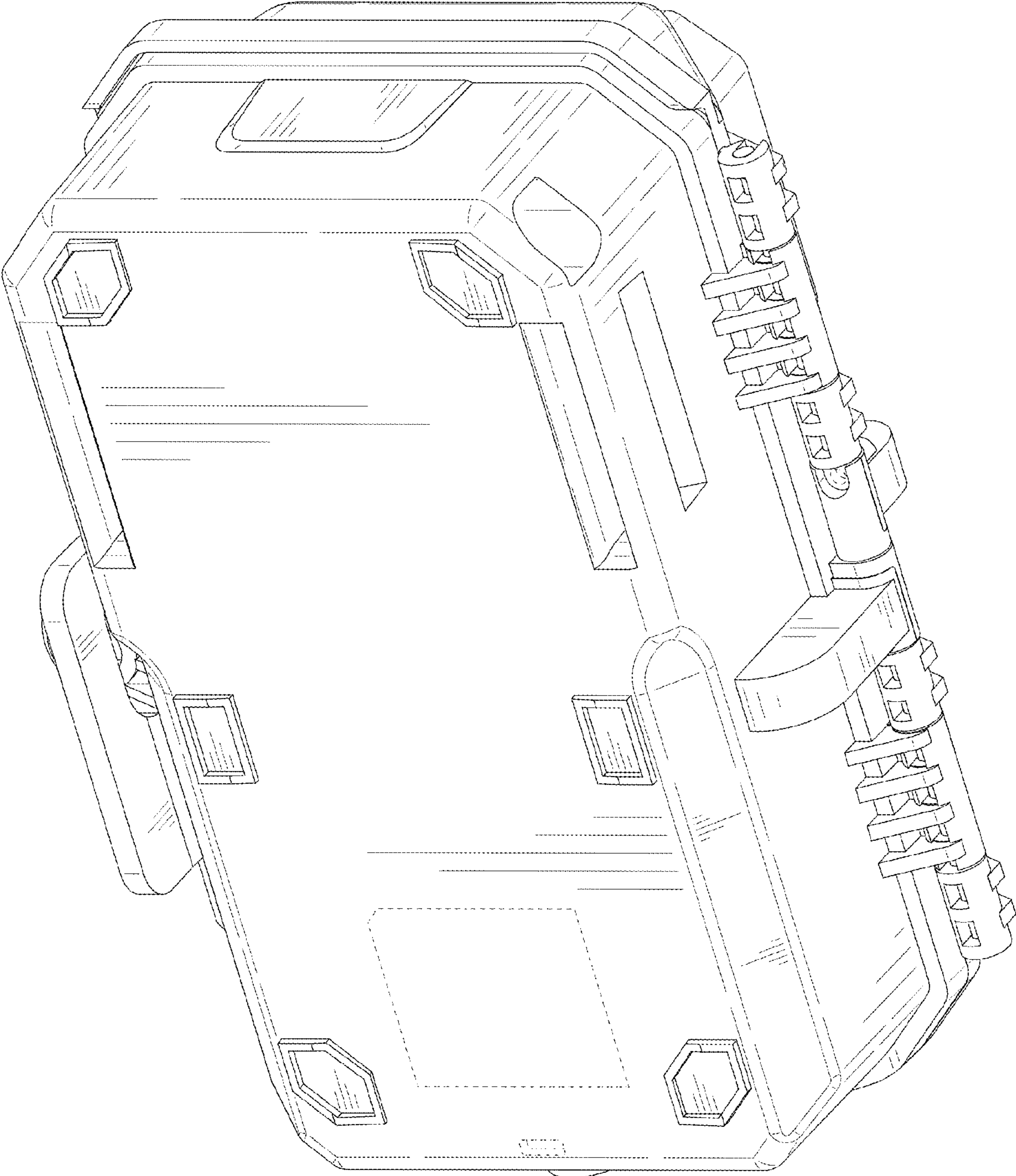


FIG. 2

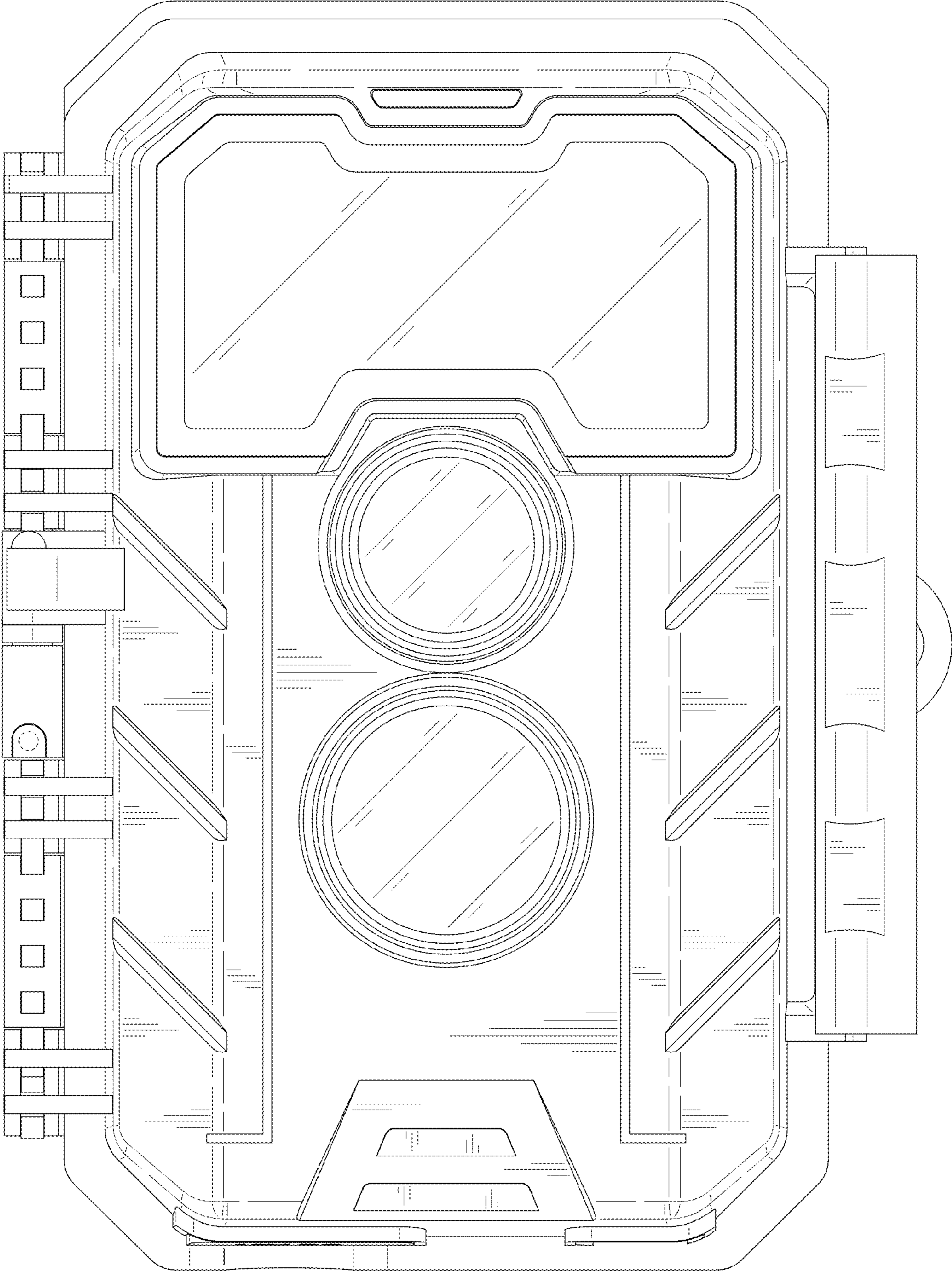


FIG. 3

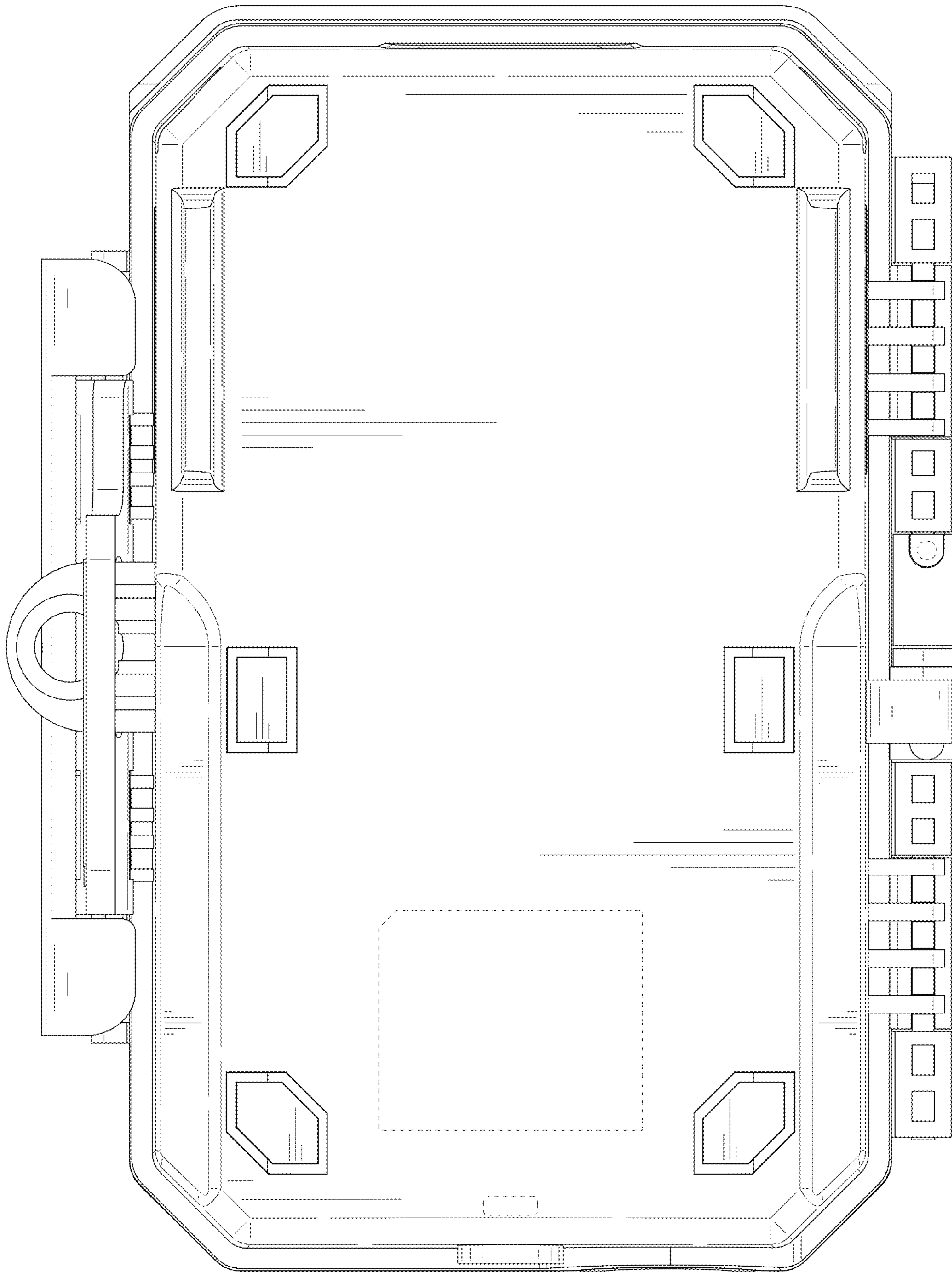


FIG. 4

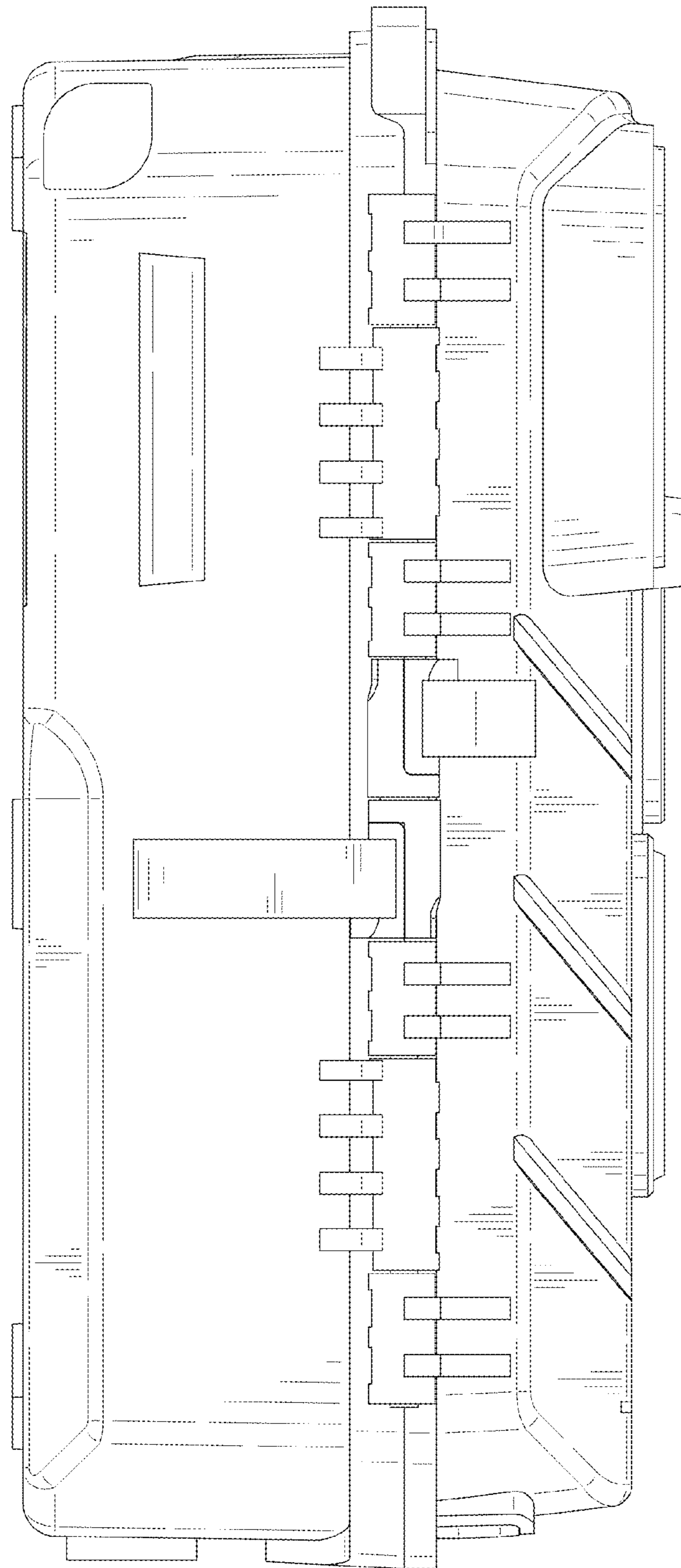


FIG. 5

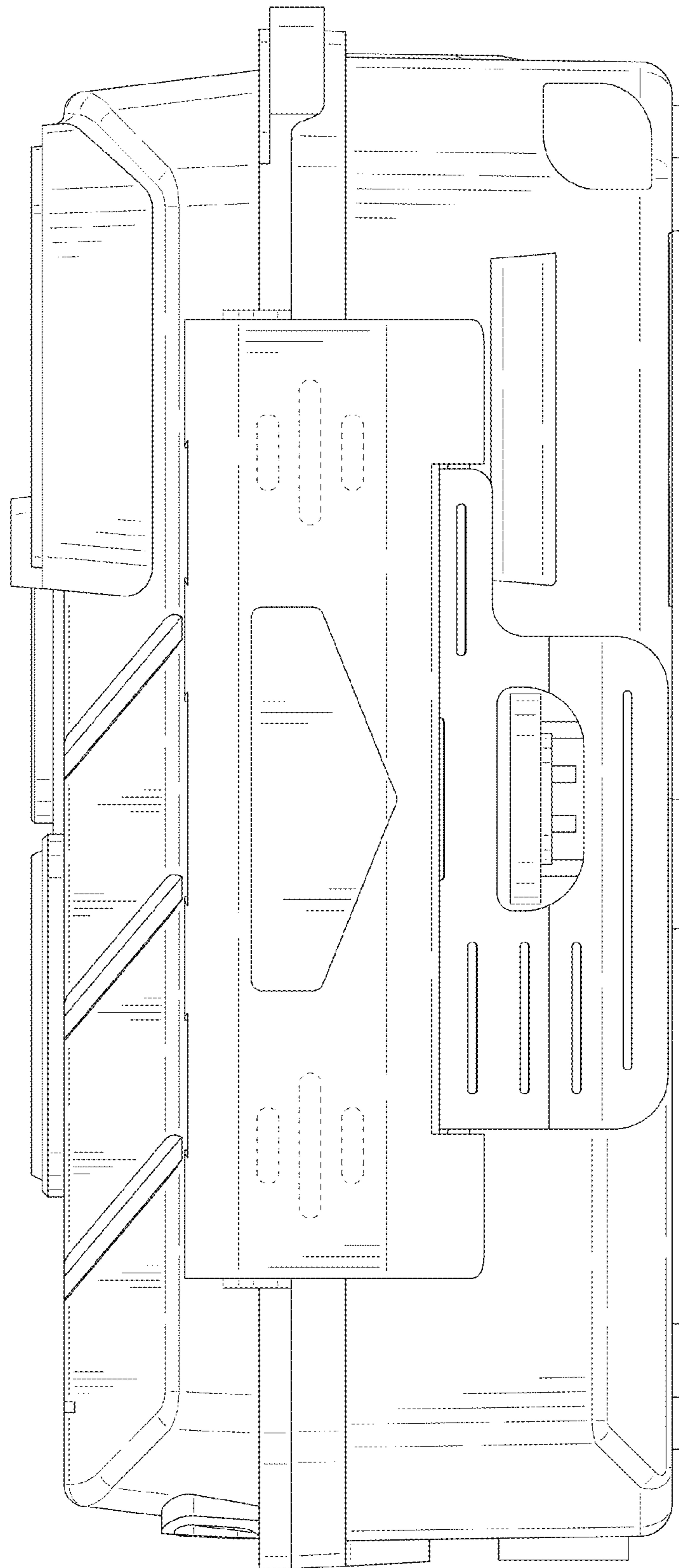


FIG. 6

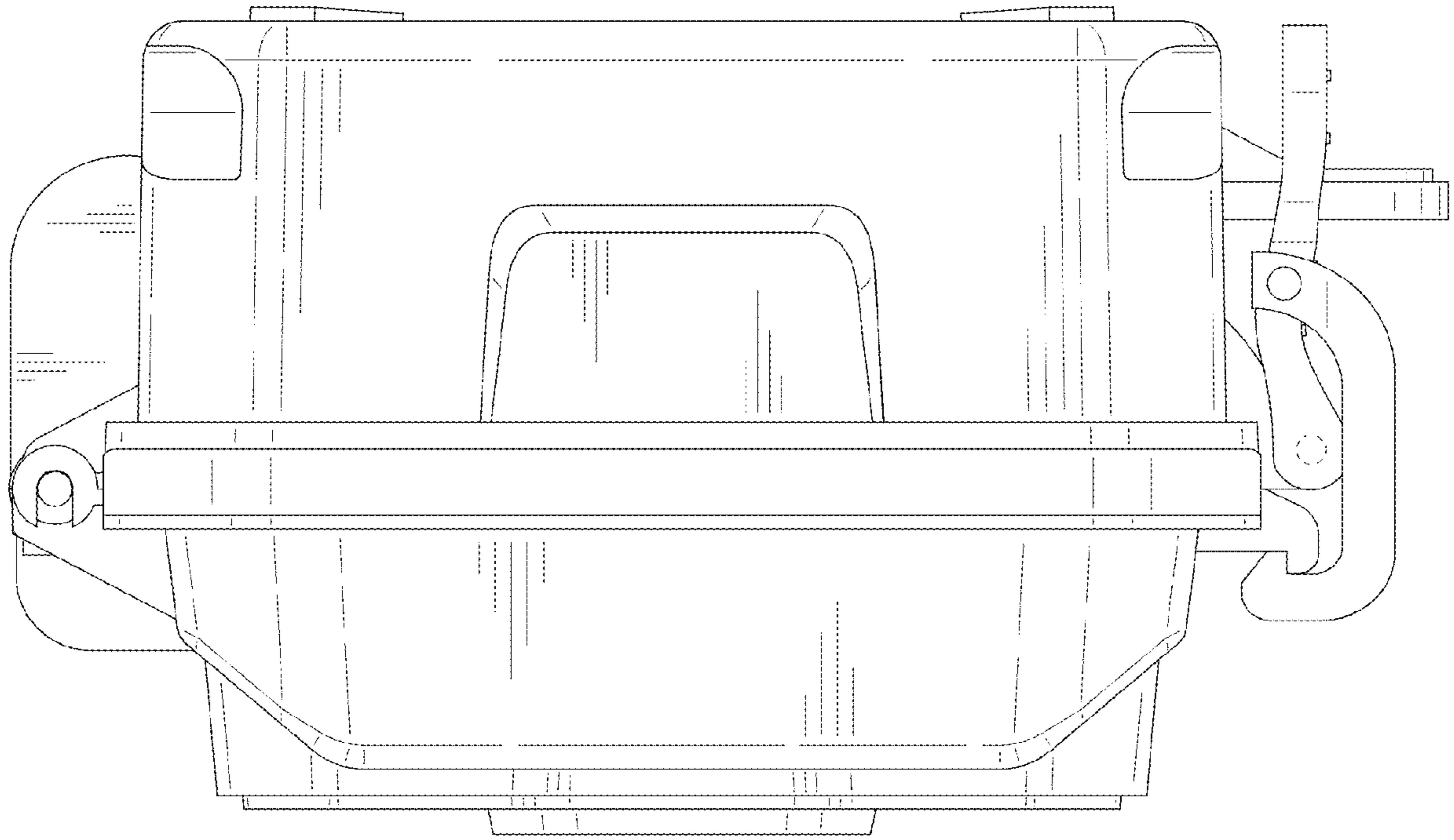


FIG. 7

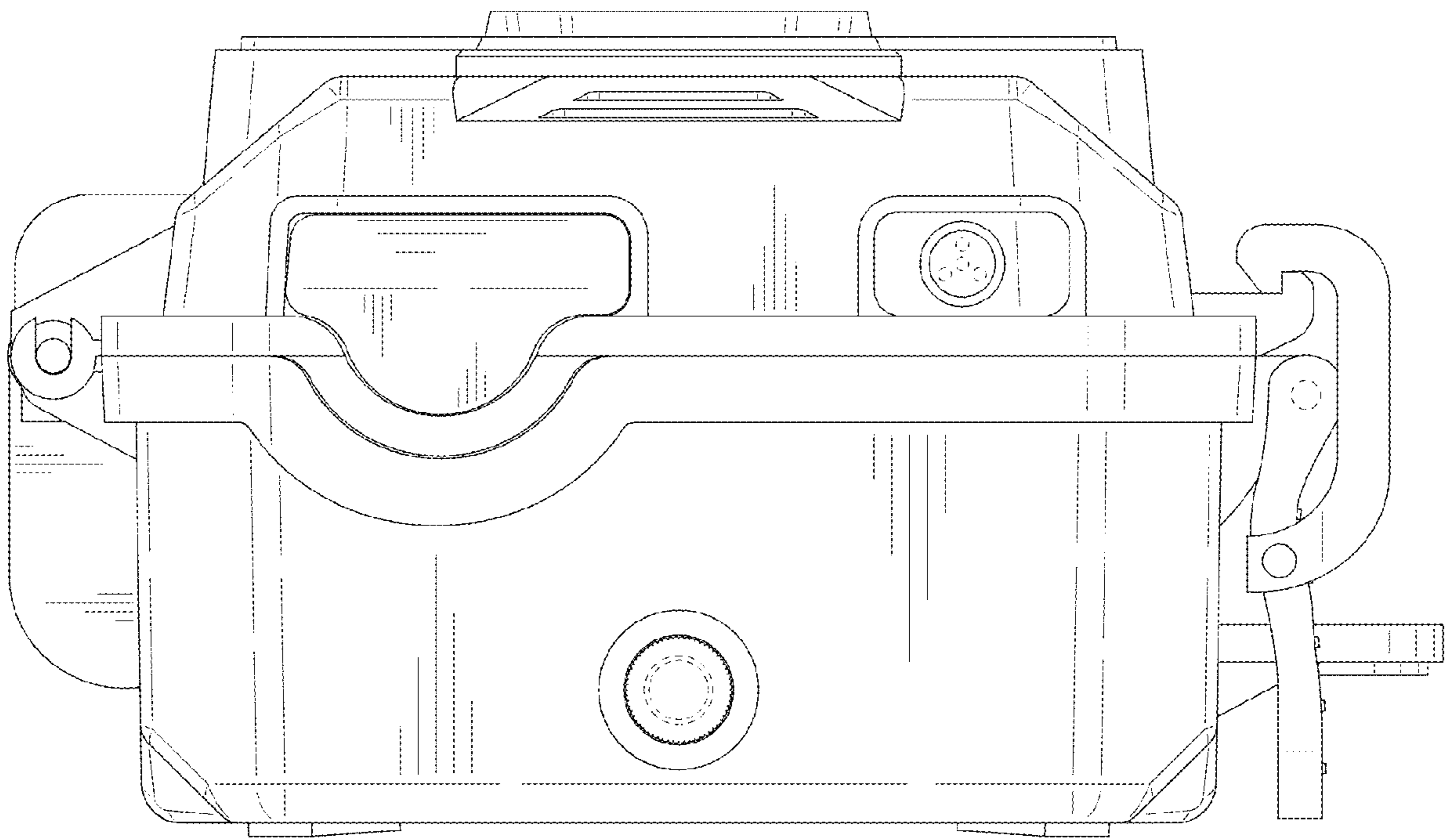


FIG. 8