



US00D928214S

(12) **United States Design Patent**
Hou et al.

(10) **Patent No.:** **US D928,214 S**

(45) **Date of Patent:** **** Aug. 17, 2021**

(54) **CAMERA COVER**

(71) Applicant: **Beijing Tusen Weilai Technology Co., Ltd.**, Beijing (CN)

(72) Inventors: **Xin Hou**, Beijing (CN); **Jie Sun**, Beijing (CN)

(73) Assignee: **TUSIMPLE, INC.**, San Diego, CA (US)

(**) Term: **15 Years**

(21) Appl. No.: **29/749,448**

(22) Filed: **Sep. 4, 2020**

Related U.S. Application Data

(63) Continuation of application No. 29/617,658, filed on Sep. 15, 2017, now Pat. No. Des. 895,711.

(30) **Foreign Application Priority Data**

Apr. 25, 2017 (CN) 201730143609.9

(51) **LOC (13) Cl.** **16-01**

(52) **U.S. Cl.**
USPC **D16/200**

(58) **Field of Classification Search**

USPC D16/200–208, 210, 214, 218, 219, 242;
D10/65, 70, 74, 106.6; 348/373–376;
358/906; 396/419, 427, 428, 535,
396/539–541

CPC G03B 15/03; G03B 17/02; G03B 17/04;
G03B 17/56; G03B 19/04; H04N 5/2251;
H04N 5/2252; H04N 5/2253; H04N
5/2254; H04N 2101/00

See application file for complete search history.

(56) **References Cited**

U.S. PATENT DOCUMENTS

D453,177 S 1/2002 Uehara
D460,978 S 7/2002 Toste

D489,388 S * 5/2004 Saito D16/200
D510,376 S * 10/2005 Yamakami D16/200
D511,182 S * 11/2005 Kato D16/200
D564,562 S * 3/2008 Honma D16/200
D586,376 S * 2/2009 Kurfiss D16/200
D598,039 S * 8/2009 Owada D16/134
D657,808 S 4/2012 Woodman
D674,428 S 1/2013 Woodman
D674,429 S 1/2013 Woodman
8,544,643 B2 10/2013 Yim
D696,707 S 12/2013 Guastadini
D699,775 S * 2/2014 Li D16/217
D699,776 S * 2/2014 Li D16/217
D699,777 S * 2/2014 Li D16/217
D702,747 S 4/2014 Woodman
D774,584 S * 12/2016 Walters D16/200

* cited by examiner

Primary Examiner — Ramzi S Almatrahi

(74) *Attorney, Agent, or Firm* — Paul Liu; Julie J. Muyco; Perkins Coie, LLP

(57) **CLAIM**

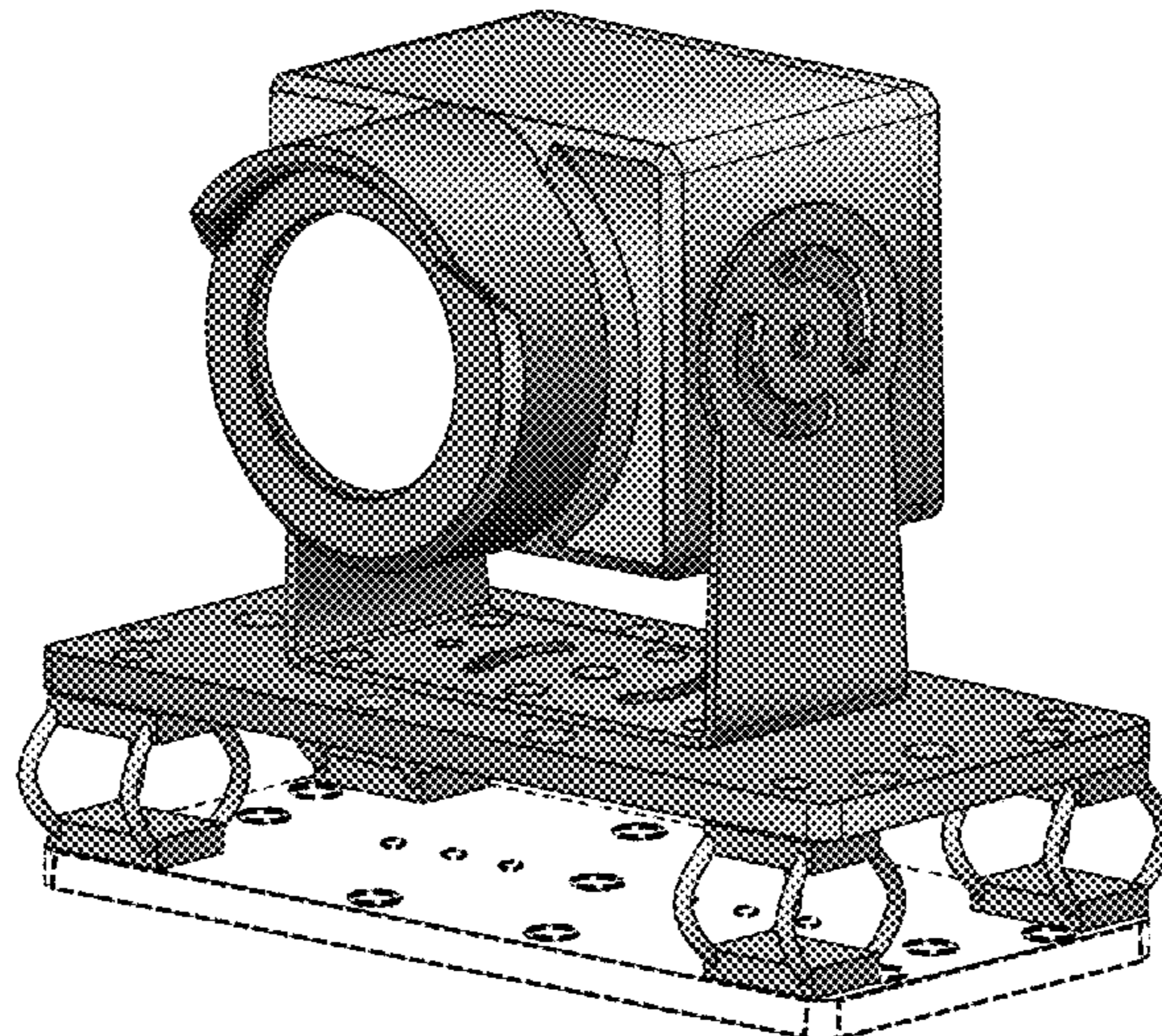
The ornamental design for a camera cover, as shown and described.

DESCRIPTION

FIG. 1 is a front perspective view of a camera cover showing our new design;
FIG. 2 is a front elevation view thereof;
FIG. 3 is a rear elevation view of thereof;
FIG. 4 is a left side elevation view thereof;
FIG. 5 is a right side elevation view thereof;
FIG. 6 is a top plan view thereof; and,
FIG. 7 is a bottom plan view thereof.

The broken lines depict portions of the camera cover in which the design is embodied that form no part of the claimed design.

1 Claim, 7 Drawing Sheets



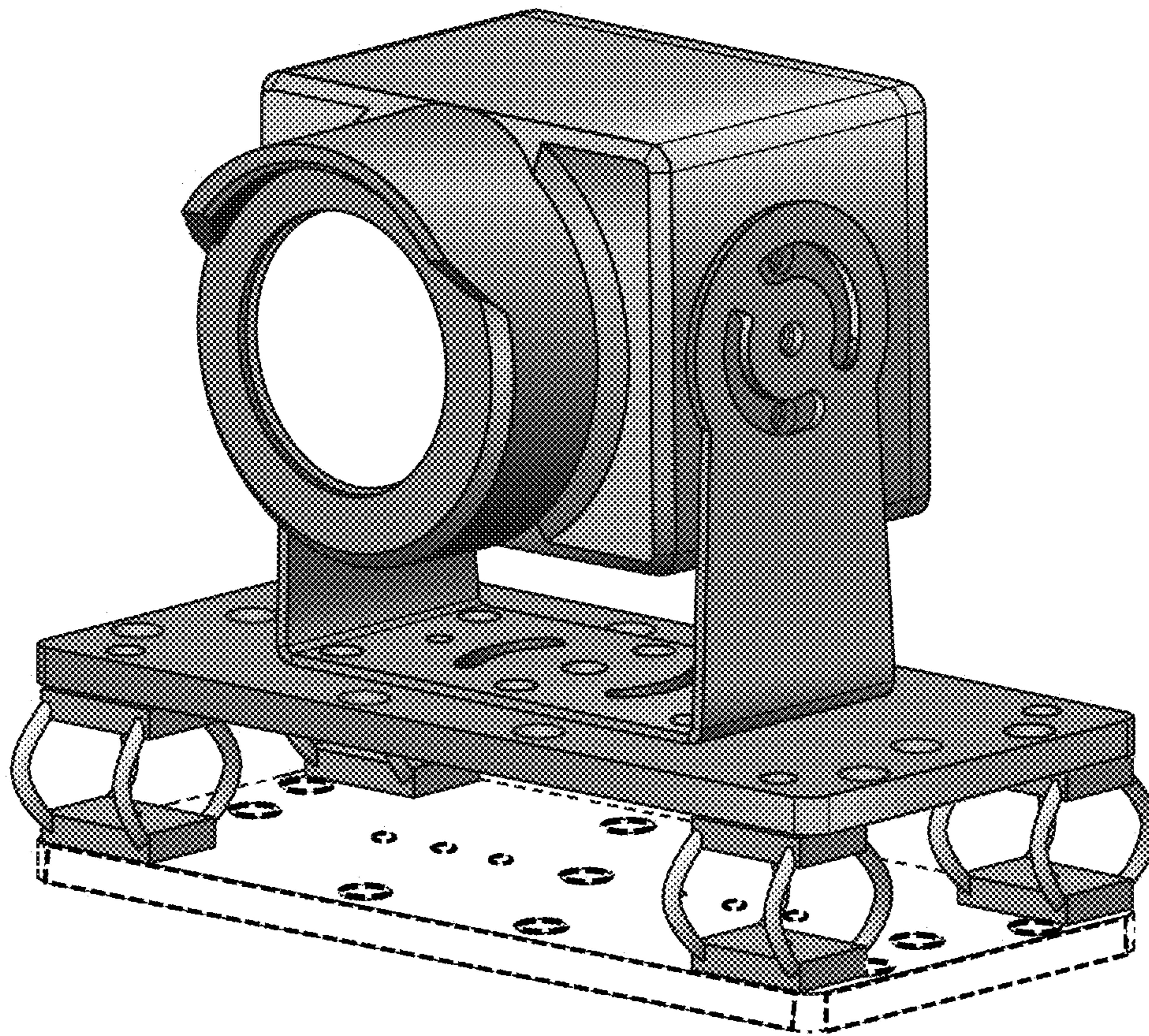


FIG. 1

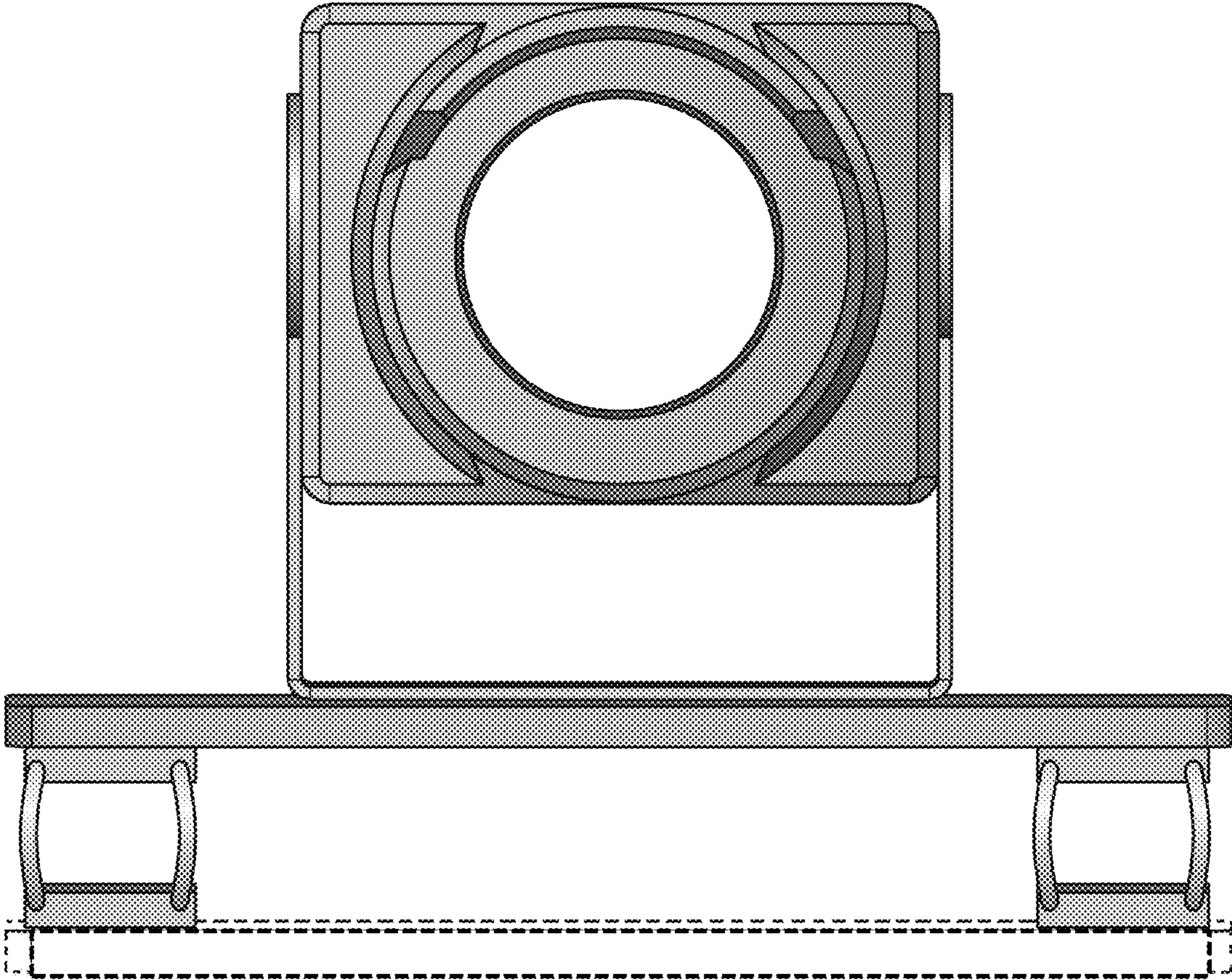


FIG. 2

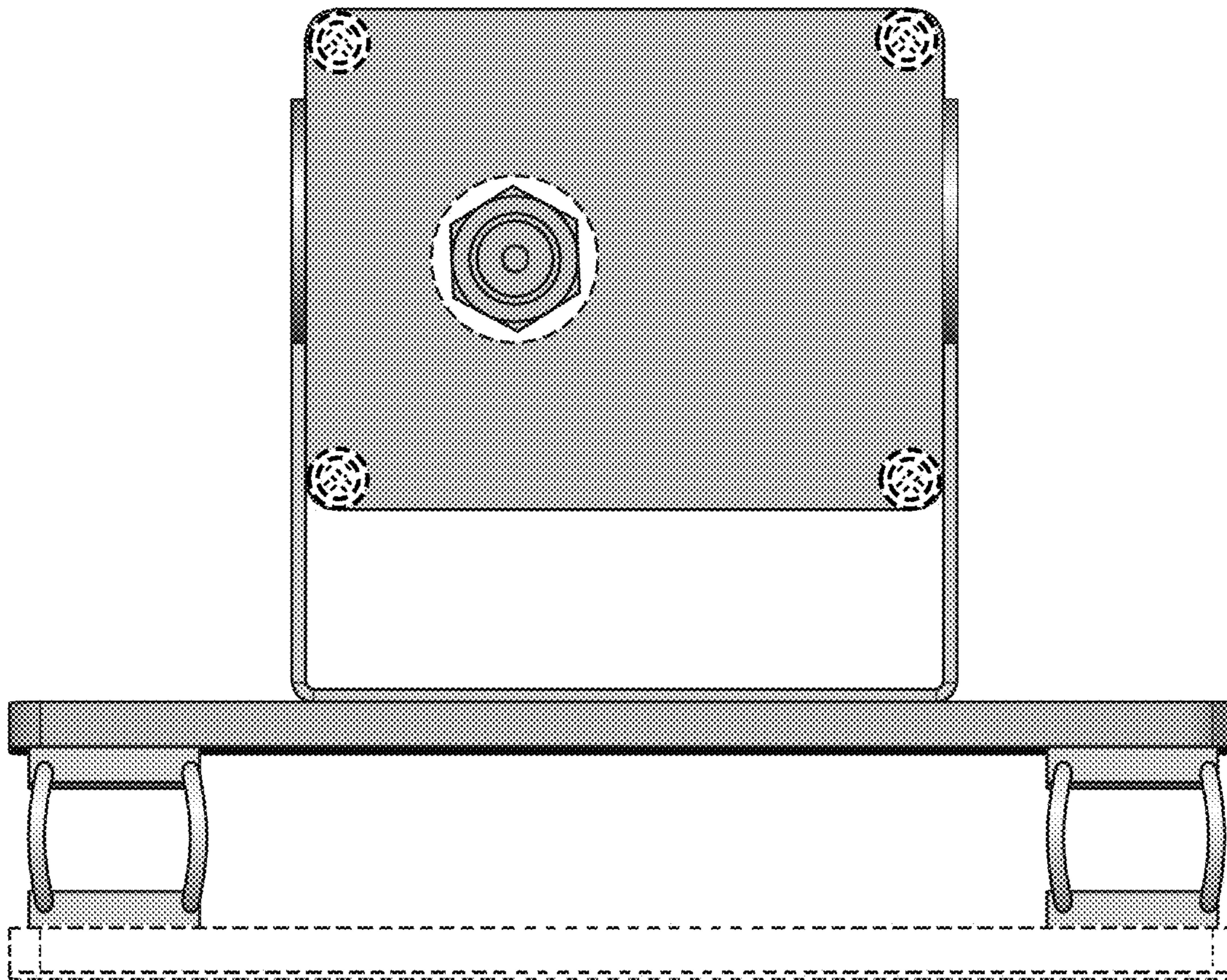


FIG. 3

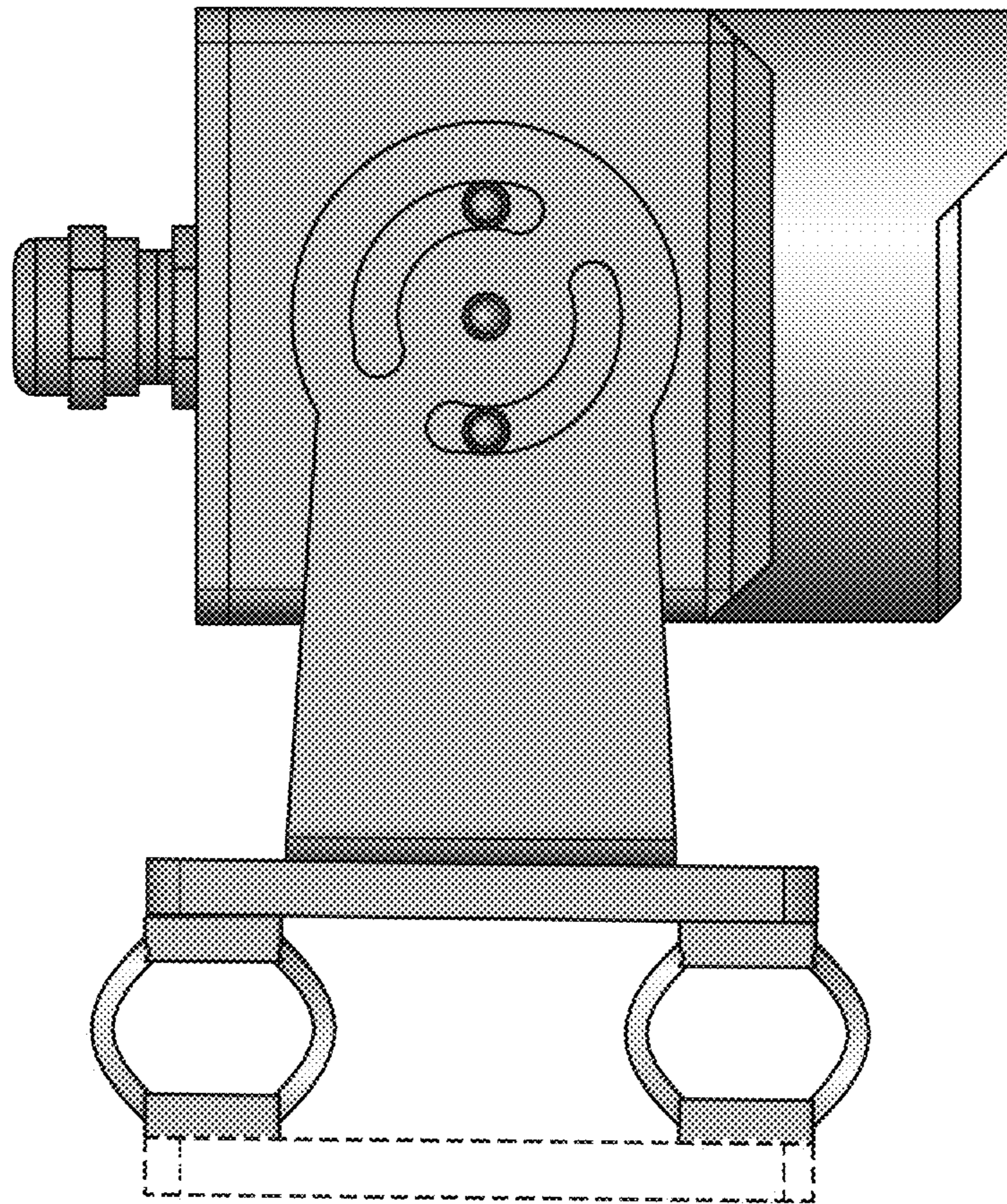


FIG. 4

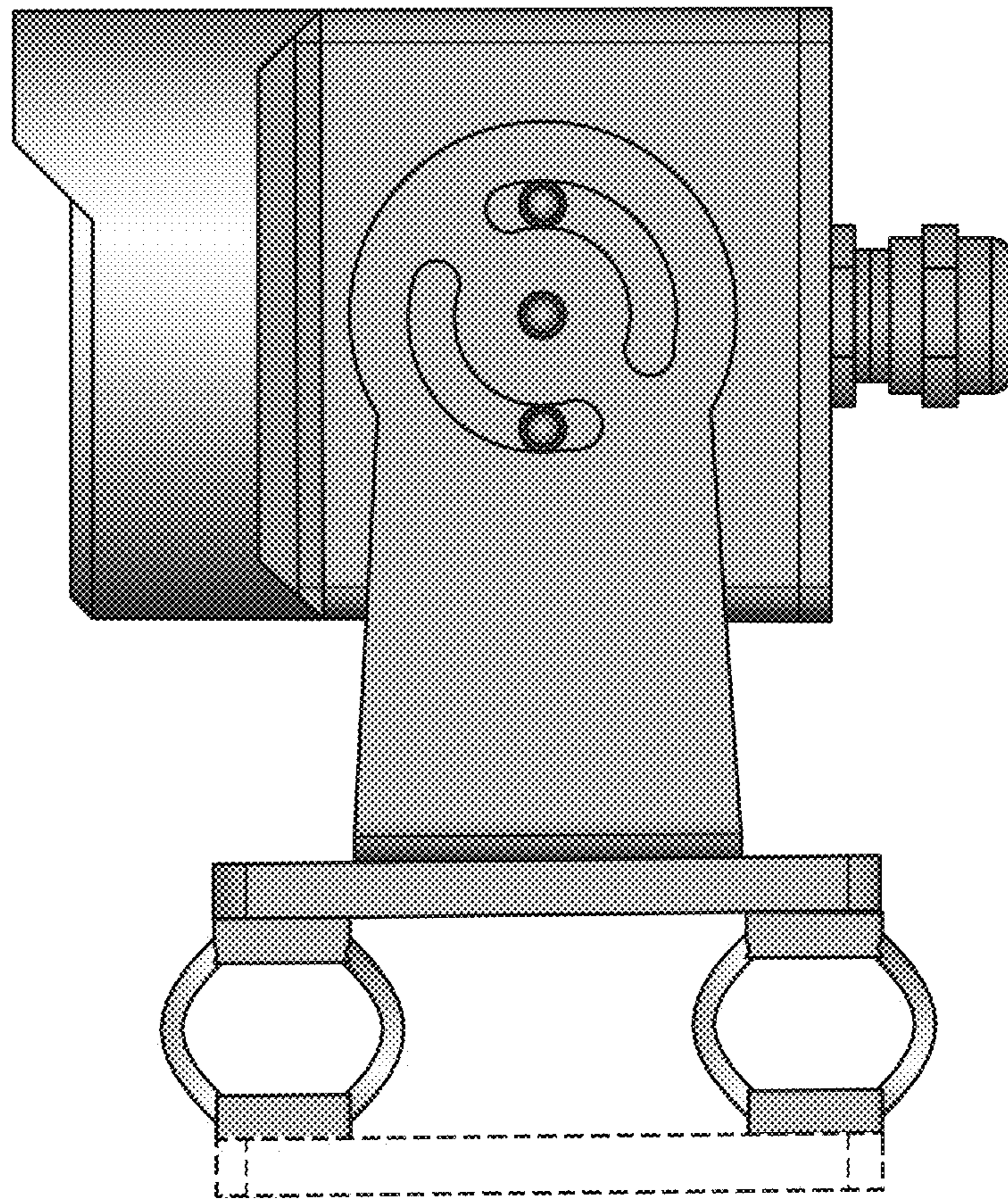


FIG. 5

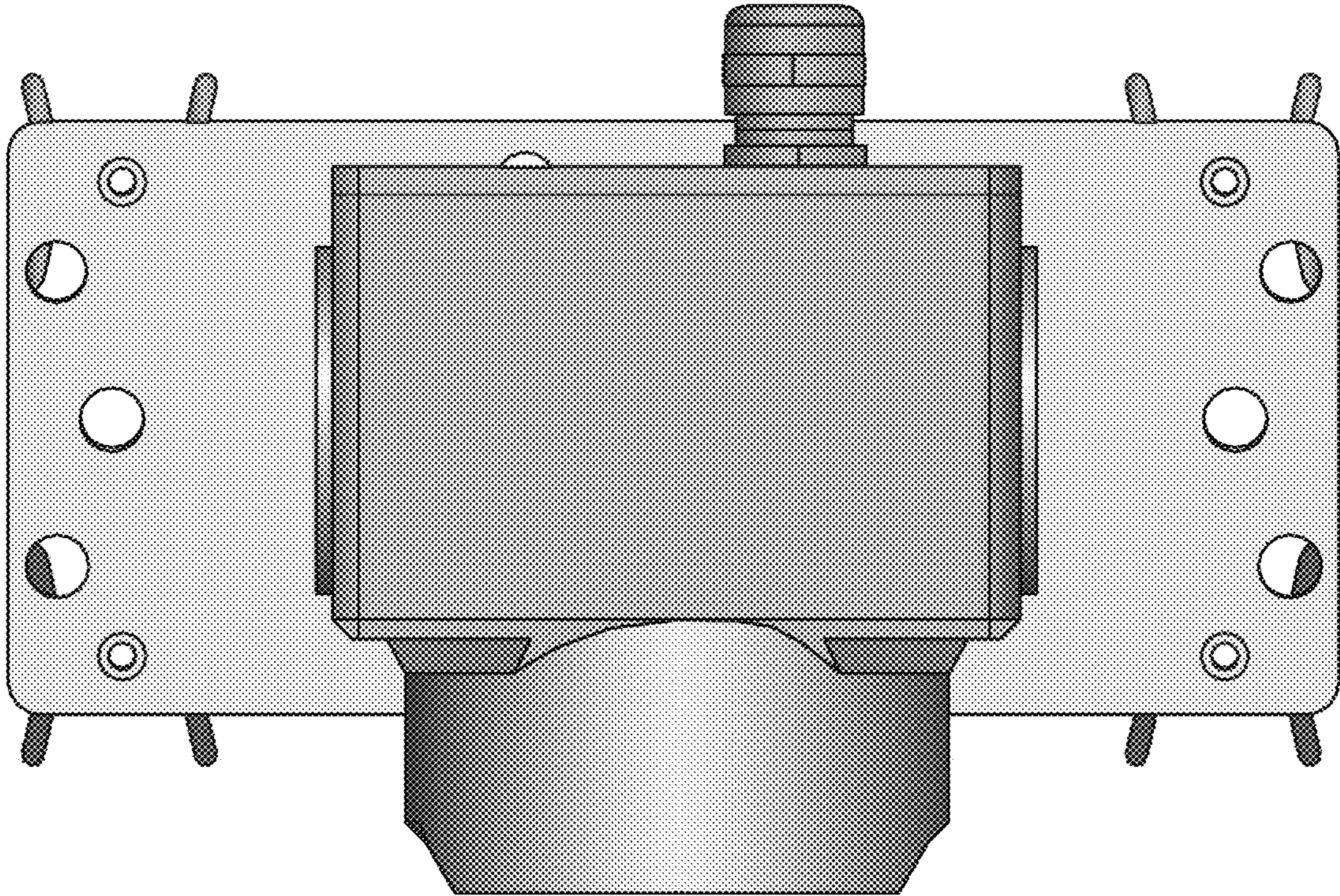


FIG. 6

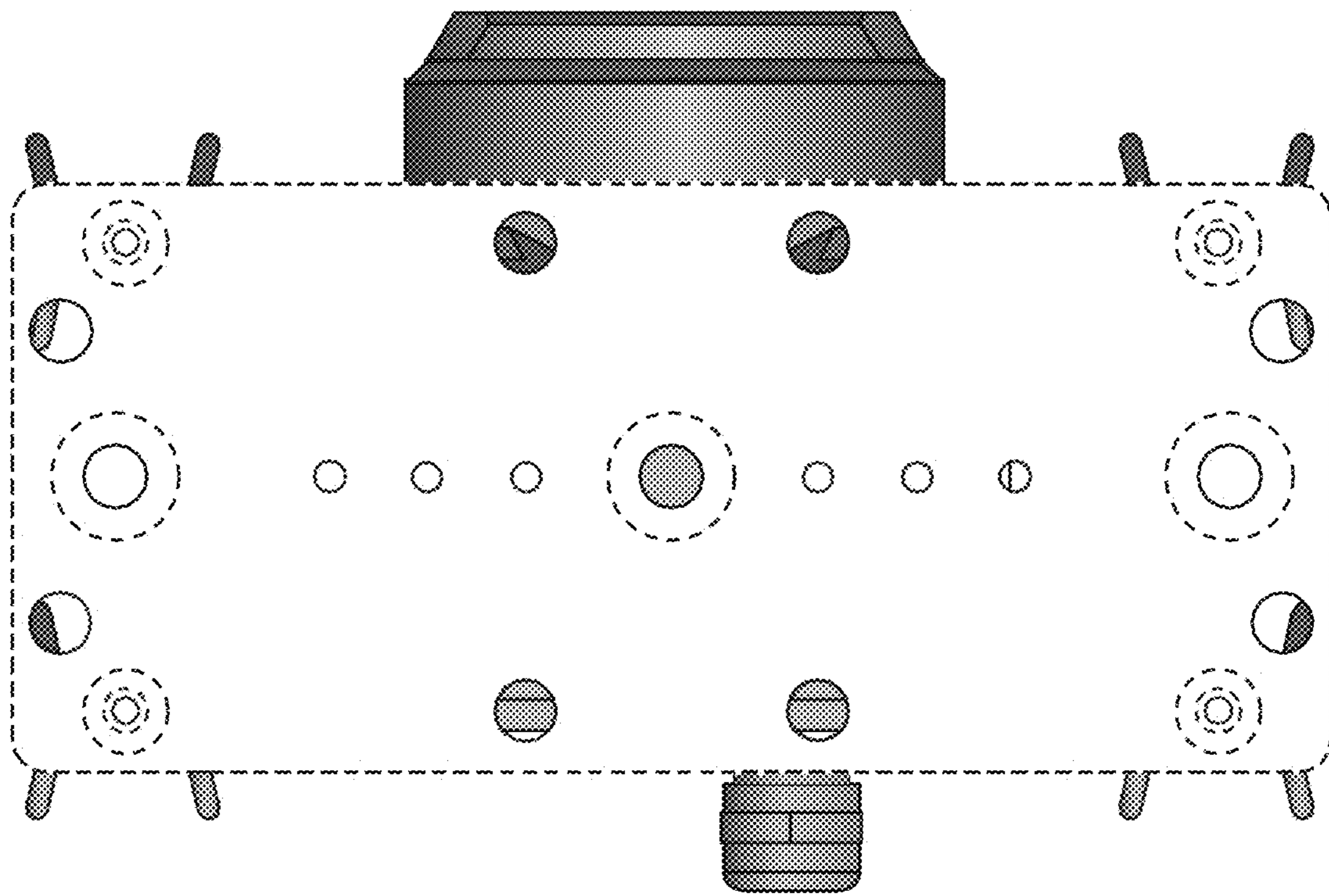


FIG. 7