



US00D928211S

(12) **United States Design Patent** (10) **Patent No.:** **US D928,211 S**  
**Boucard** (45) **Date of Patent:** **\*\* Aug. 17, 2021**

- (54) **MODULAR ROBOT ASSEMBLY**
- (71) Applicant: **Tesseract Ventures, LLC**, Kansas City, MO (US)
- (72) Inventor: **John Boucard**, Overland Park, KS (US)
- (73) Assignee: **Tesseract Ventures, LLC**, Kansas City, MO (US)
- (\*\*) Term: **15 Years**
- (21) Appl. No.: **29/732,562**
- (22) Filed: **Apr. 24, 2020**
- (51) **LOC (13) Cl.** ..... **15-99**
- (52) **U.S. Cl.**  
USPC ..... **D15/199**
- (58) **Field of Classification Search**  
USPC ..... D15/199; D21/578-583, 621, 622; D32/21; D34/34  
CPC ..... B25J 5/007; B25J 11/00; B25J 11/008; B62D 57/024; G06N 3/008; Y10S 901/01  
See application file for complete search history.

- D837,854 S \* 1/2019 Zhou ..... B62K 11/007 D15/199
- D837,855 S \* 1/2019 Chen ..... G09F 15/0087 D15/199
- D841,711 S \* 2/2019 Liu ..... D15/199
- D842,353 S \* 3/2019 Lee ..... D15/199
- D849,813 S \* 5/2019 Sutherland ..... B25J 9/1666 D15/199
- D857,117 S \* 8/2019 Venancio ..... D21/533
- D866,628 S \* 11/2019 Xi ..... D15/199
- D909,496 S \* 2/2021 Zou ..... D21/578
- 2006/0202439 A1 \* 9/2006 Kahlert ..... B62K 11/007 280/47.24
- 2015/0190927 A1 \* 7/2015 Sutherland ..... B25J 11/009 700/259
- 2019/0381673 A1 \* 12/2019 Lee ..... B25J 9/1666

**FOREIGN PATENT DOCUMENTS**

JP 2005242409 A \* 9/2005

\* cited by examiner

*Primary Examiner* — Patricia A Palasik  
(74) *Attorney, Agent, or Firm* — Polsinelli PC

(57) **CLAIM**

I claim the ornamental design for a modular robot assembly, as shown and described.

**DESCRIPTION**

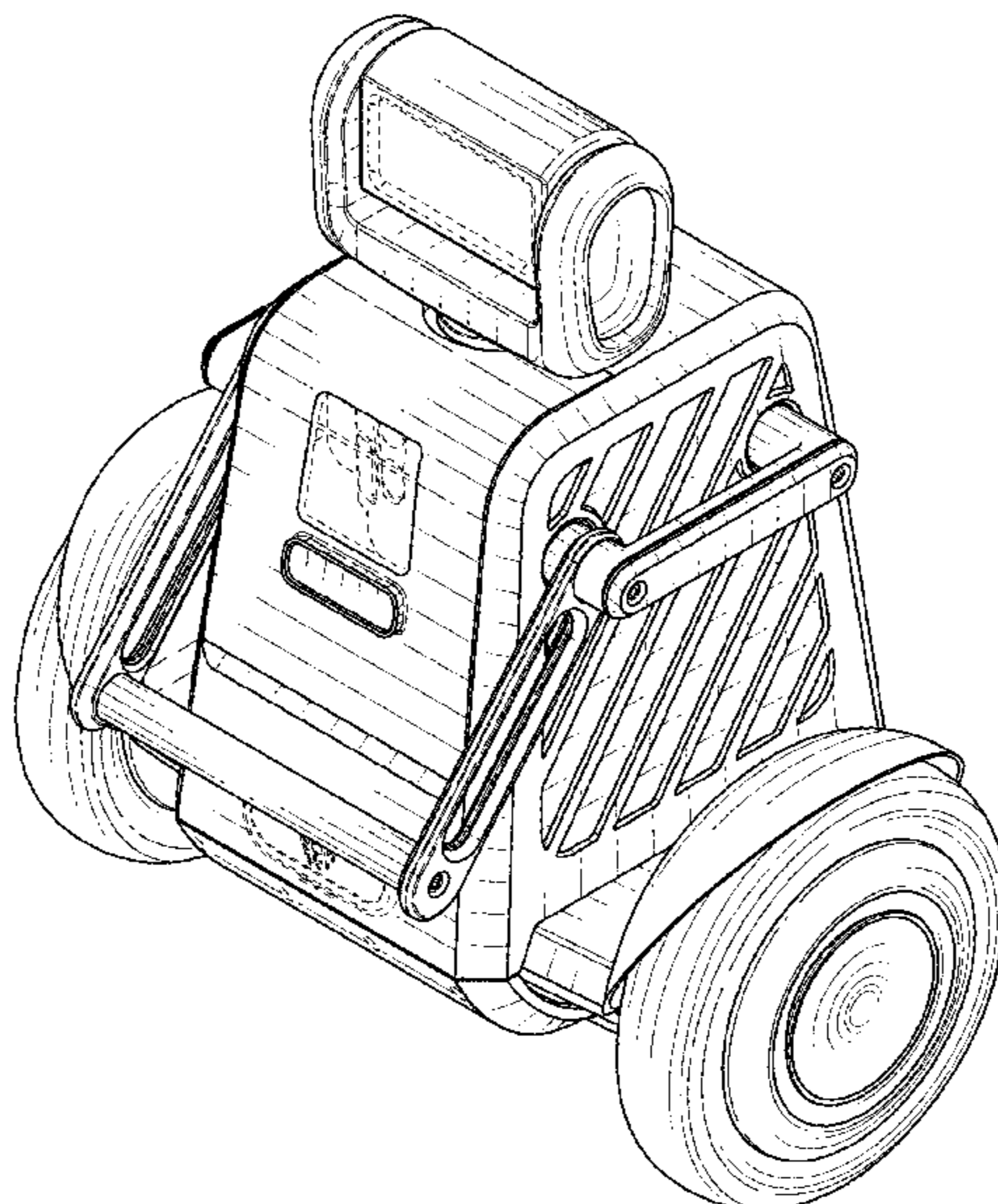
FIG. 1 is a perspective view of a modular robot assembly, showing my new design;  
FIG. 2 is a front elevational view thereof;  
FIG. 3 is a rear elevational view thereof;  
FIG. 4 is a right side elevational view thereof;  
FIG. 5 is a left side elevational view thereof;  
FIG. 6 is a top plan view thereof; and,  
FIG. 7 is a bottom plan view thereof.  
Broken lines are for illustrating unclaimed portions of the modular robot assembly; the broken lines form no part of the claimed design.

**1 Claim, 7 Drawing Sheets**

(56) **References Cited**

**U.S. PATENT DOCUMENTS**

- D355,148 S \* 2/1995 Orsolini ..... D12/1
- D464,090 S \* 10/2002 Hornsby ..... D21/578
- D601,922 S \* 10/2009 Imai ..... D12/1
- 7,784,206 B2 \* 8/2010 Trainer ..... G09F 15/0087 40/586
- D626,031 S \* 10/2010 Doran ..... D12/1
- D635,603 S \* 4/2011 Paz Rodriguez ..... D15/199
- D675,656 S \* 2/2013 Sutherland ..... D15/199
- 9,598,136 B1 \* 3/2017 Kim ..... B62K 11/007
- D795,134 S \* 8/2017 Liu ..... D12/1
- D810,167 S \* 2/2018 Yang ..... D15/199
- D816,119 S \* 4/2018 Pu ..... D15/1
- D830,437 S \* 10/2018 Metta ..... B62K 11/007 D15/199



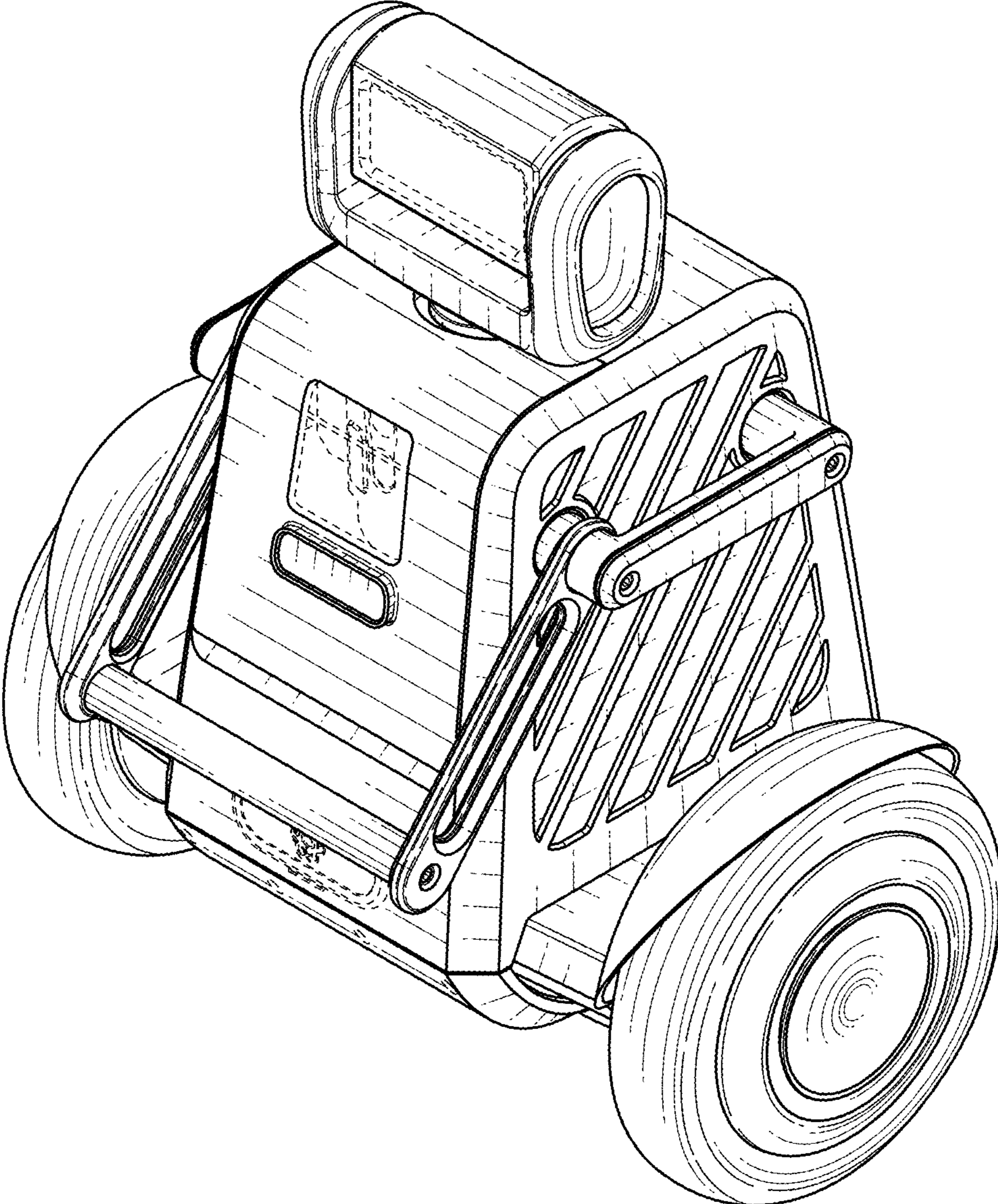


FIG. 1

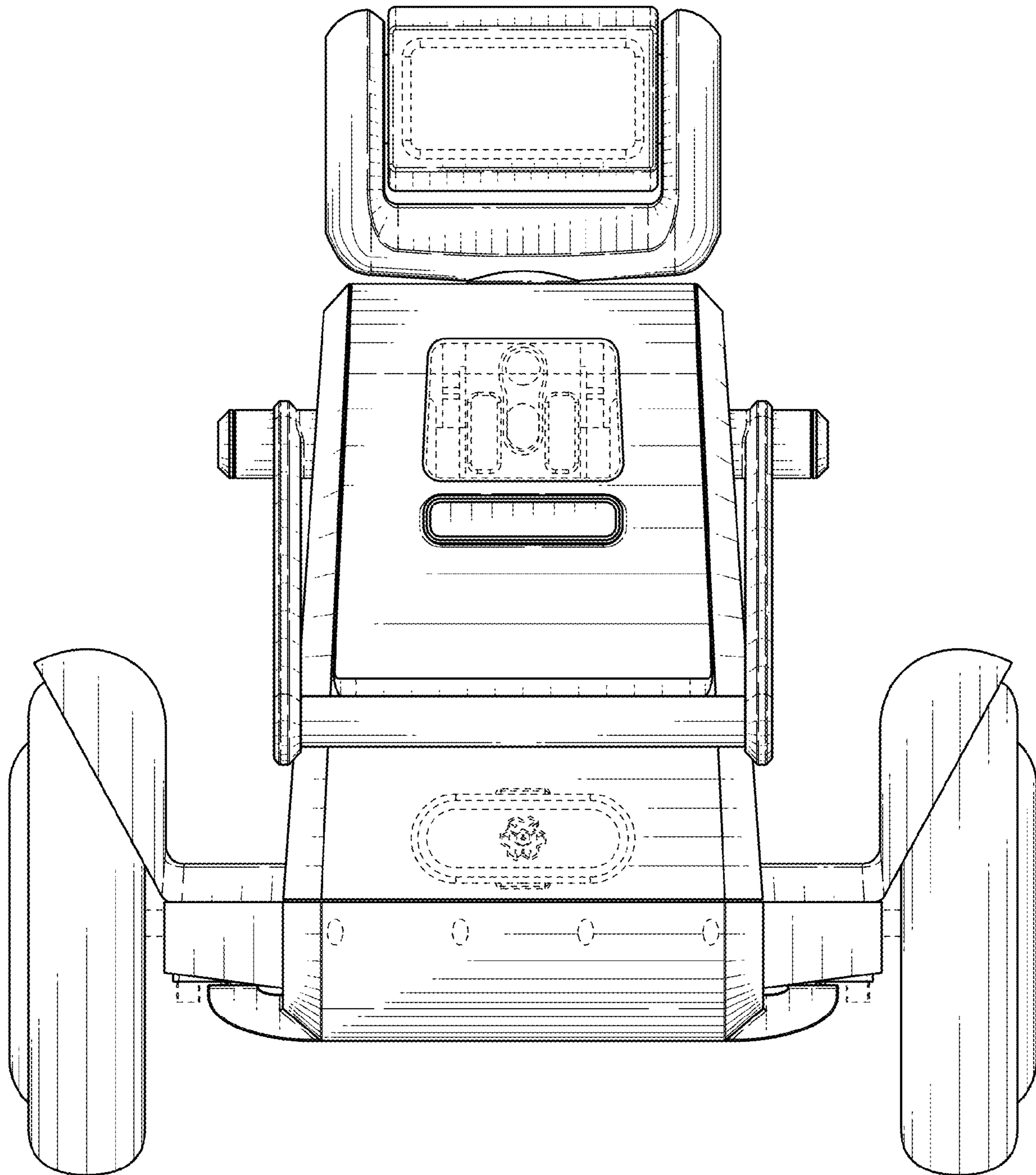


FIG. 2

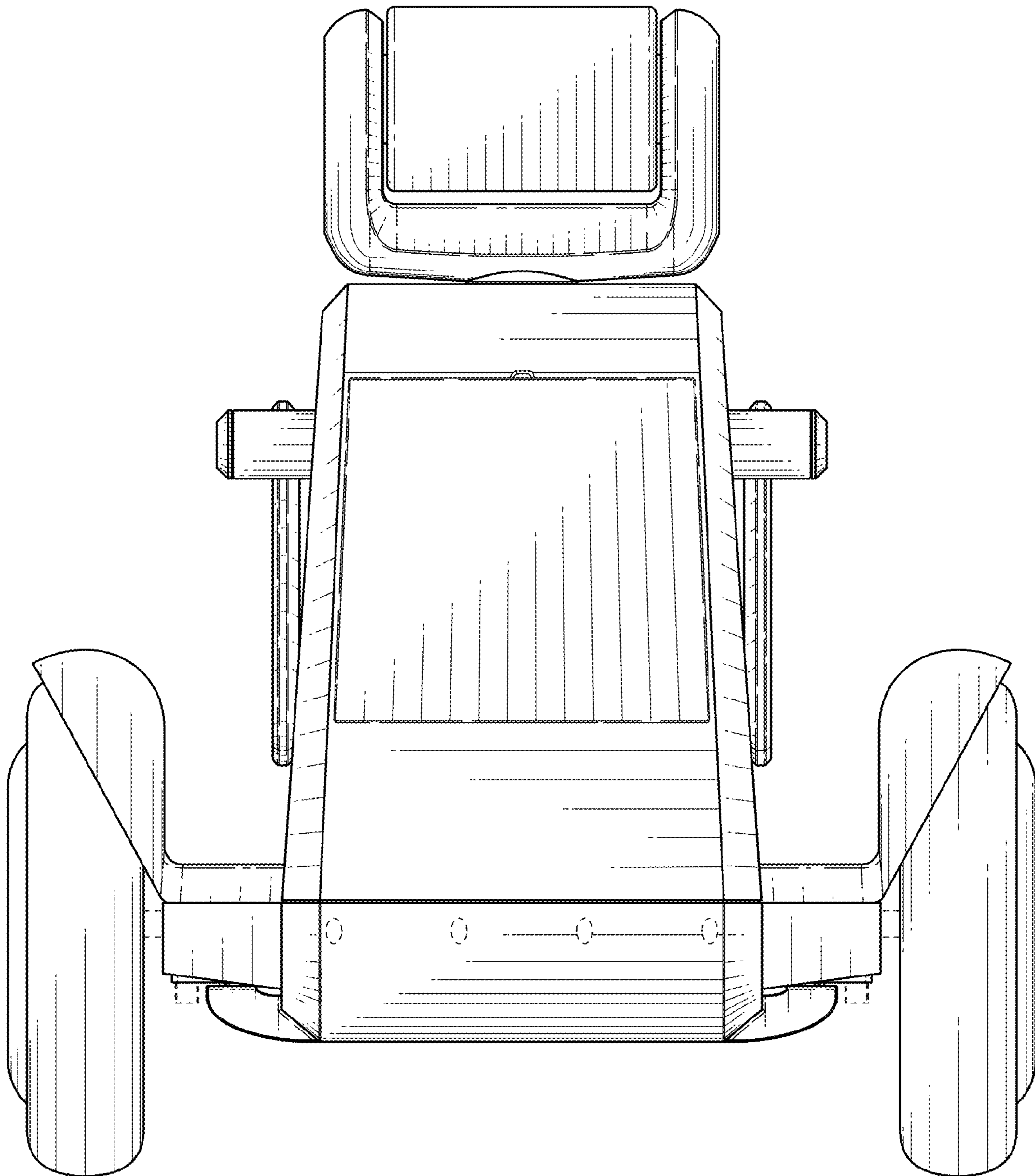


FIG. 3

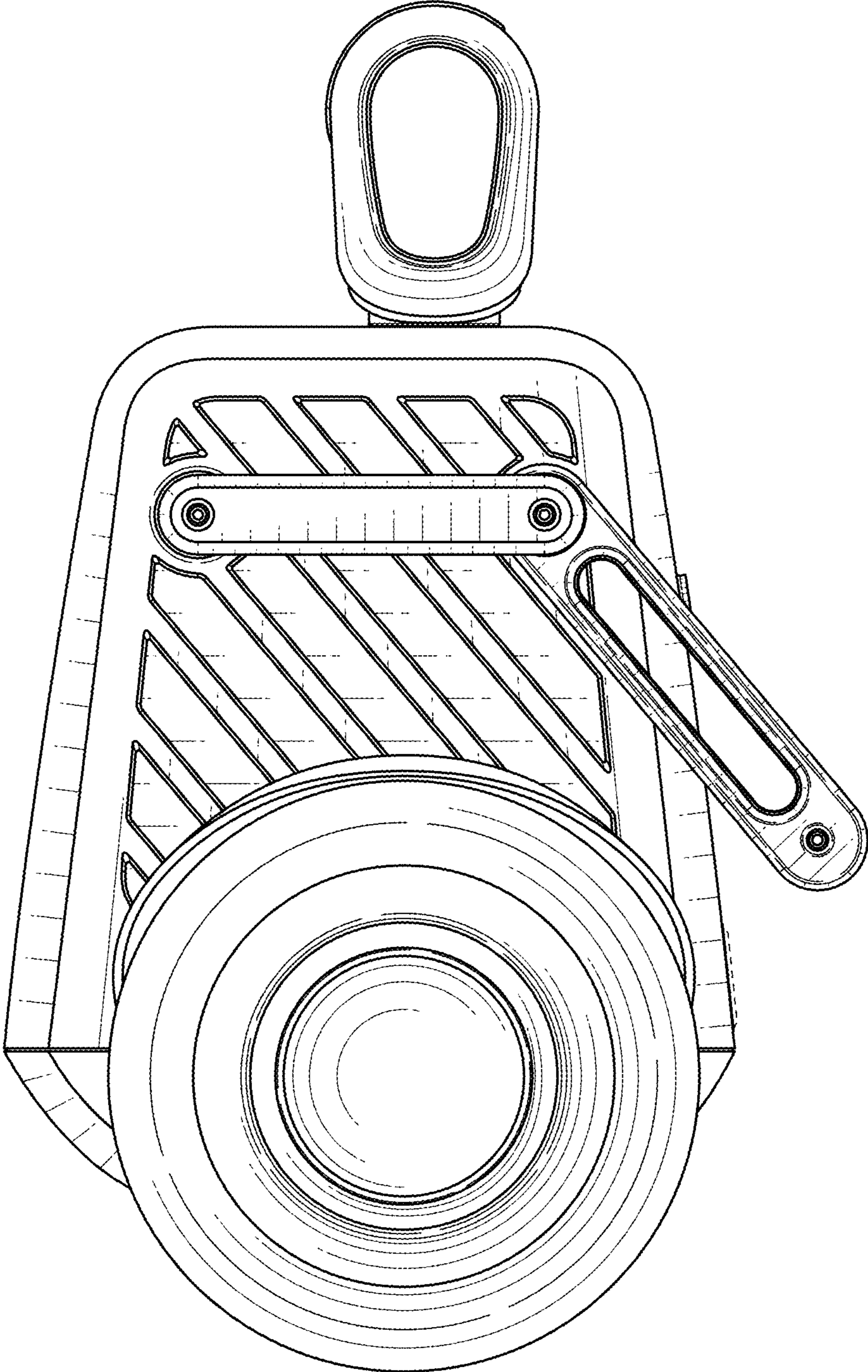


FIG. 4

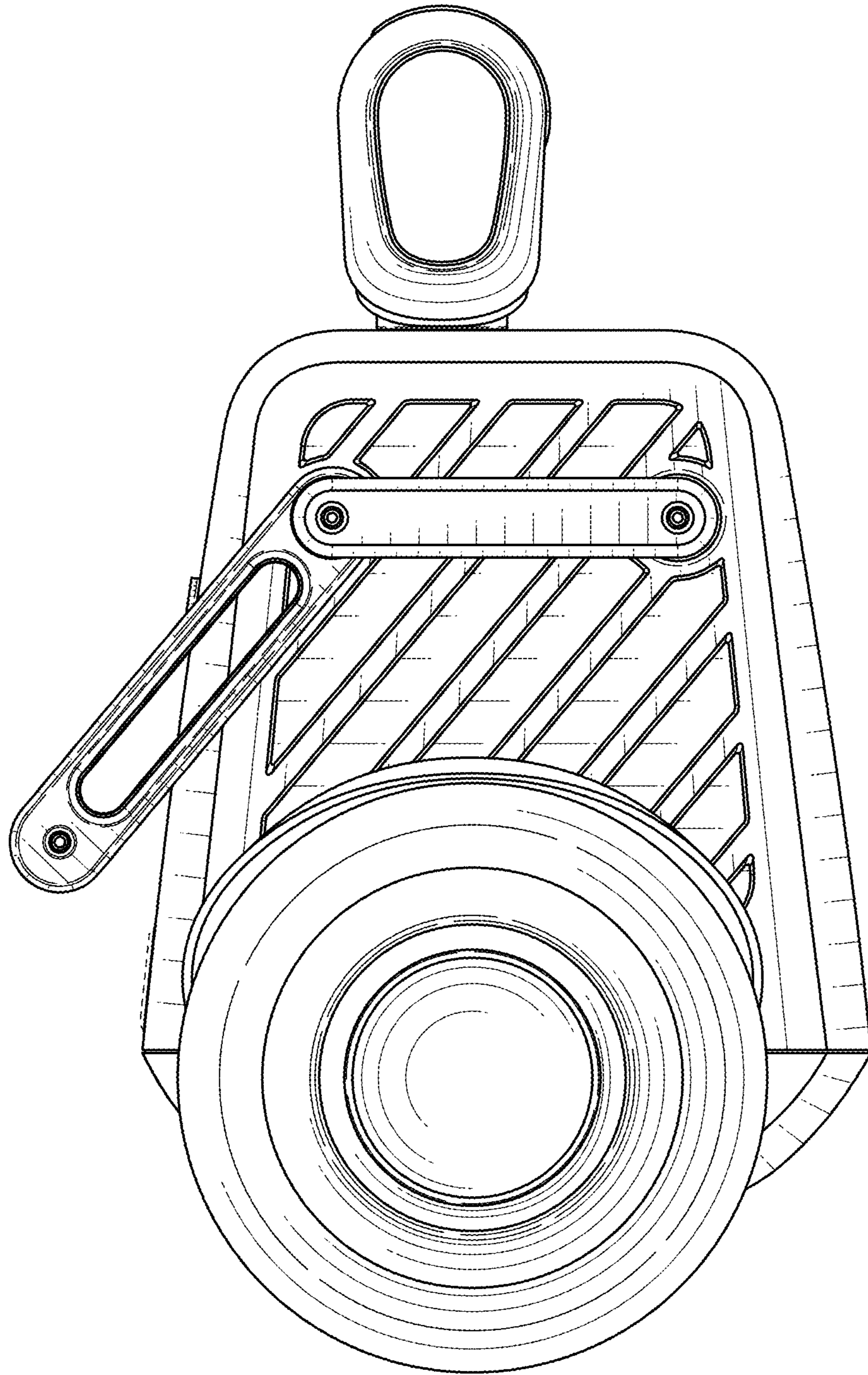


FIG. 5

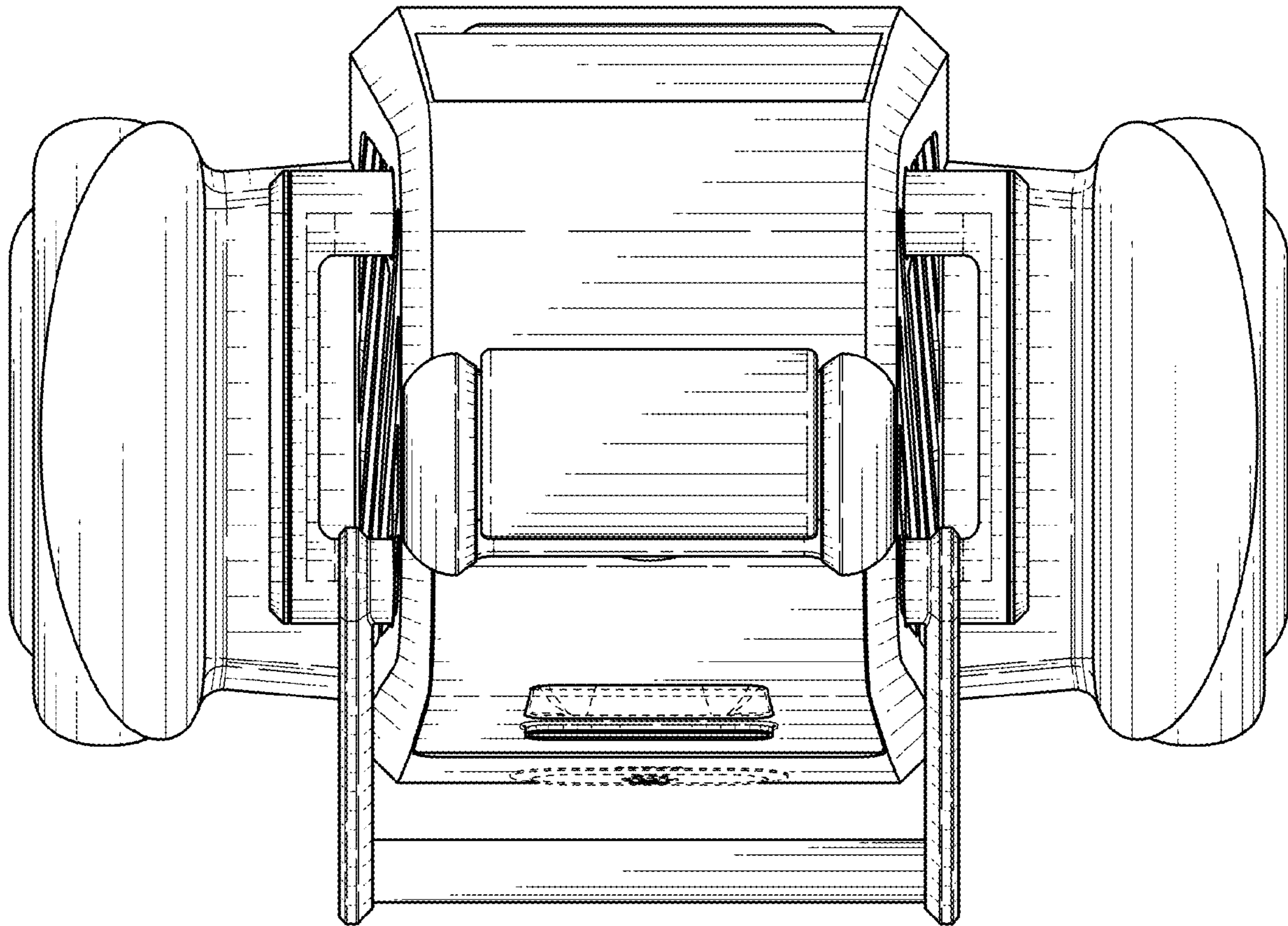


FIG. 6

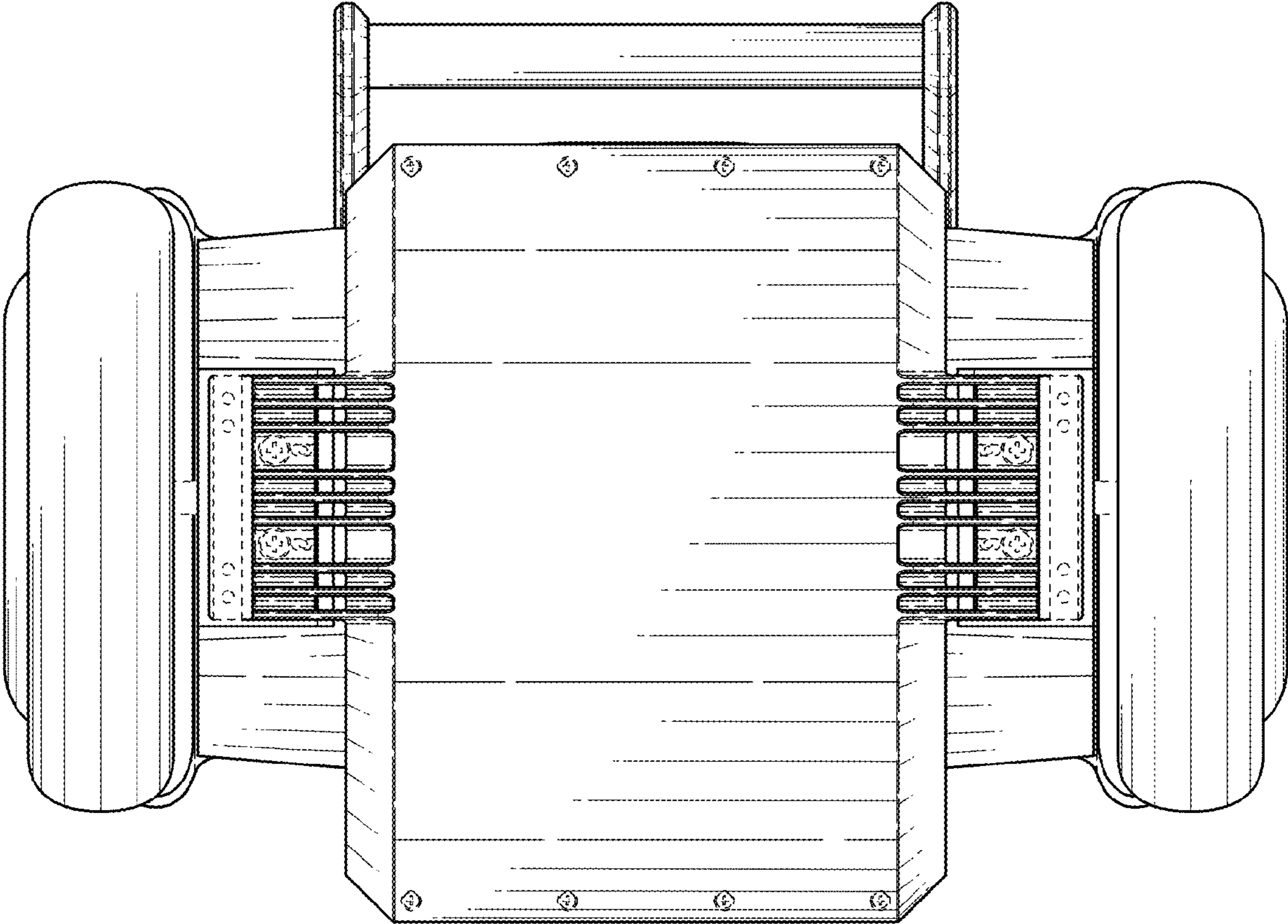


FIG. 7