



US00D928210S

(12) **United States Design Patent** (10) **Patent No.:** **US D928,210 S**  
**Graessle** (45) **Date of Patent:** **\*\* Aug. 17, 2021**

(54) **ROBOTIC MANIPULATOR**  
(71) Applicant: **KUKA Deutschland GmbH**, Augsburg (DE)  
(72) Inventor: **Rainer Graessle**, Augsburg (DE)  
(73) Assignee: **KUKA Deutschland GmbH**, Augsburg (DE)  
(\*\*) Term: **15 Years**  
(21) Appl. No.: **29/731,419**  
(22) Filed: **Apr. 15, 2020**  
(51) **LOC (13) Cl.** ..... **15-09**  
(52) **U.S. Cl.**  
USPC ..... **D15/199**  
(58) **Field of Classification Search**  
USPC ..... D15/122, 199; D21/578-583; D32/21; D34/34  
CPC .... B25J 9/046; B25J 9/042; B25J 9/06; H01L 21/67766  
See application file for complete search history.

D677,294 S \* 3/2013 Long ..... D15/199  
D690,753 S \* 10/2013 Liu ..... D15/199  
D707,277 S \* 6/2014 Olsson ..... D15/199  
D766,348 S \* 9/2016 Long ..... D15/199  
D769,954 S \* 10/2016 Kinoshita ..... D15/199  
D802,041 S \* 11/2017 He ..... D15/199  
D841,065 S \* 2/2019 Hontani ..... D15/199  
D841,707 S \* 2/2019 Yamamoto ..... D15/199  
D841,712 S \* 2/2019 Hontani ..... D15/199  
D865,828 S \* 11/2019 Bogart ..... D15/199  
D877,787 S \* 3/2020 Kinoshita ..... D15/199  
D881,251 S \* 4/2020 Abe ..... D15/199  
D896,860 S \* 9/2020 Abe ..... D15/199  
D905,774 S \* 12/2020 Inoue ..... D15/199  
2015/0127151 A1 \* 5/2015 Riedel ..... B25J 9/1643  
700/250  
2016/0016320 A1 \* 1/2016 Rothfuss ..... A61B 34/30  
74/490.03

\* cited by examiner

*Primary Examiner* — Patricia A Palasik  
(74) *Attorney, Agent, or Firm* — Dorton & Willis, LLP

(57) **CLAIM**

The ornamental design for a robotic manipulator, as shown and described.

(56) **References Cited**

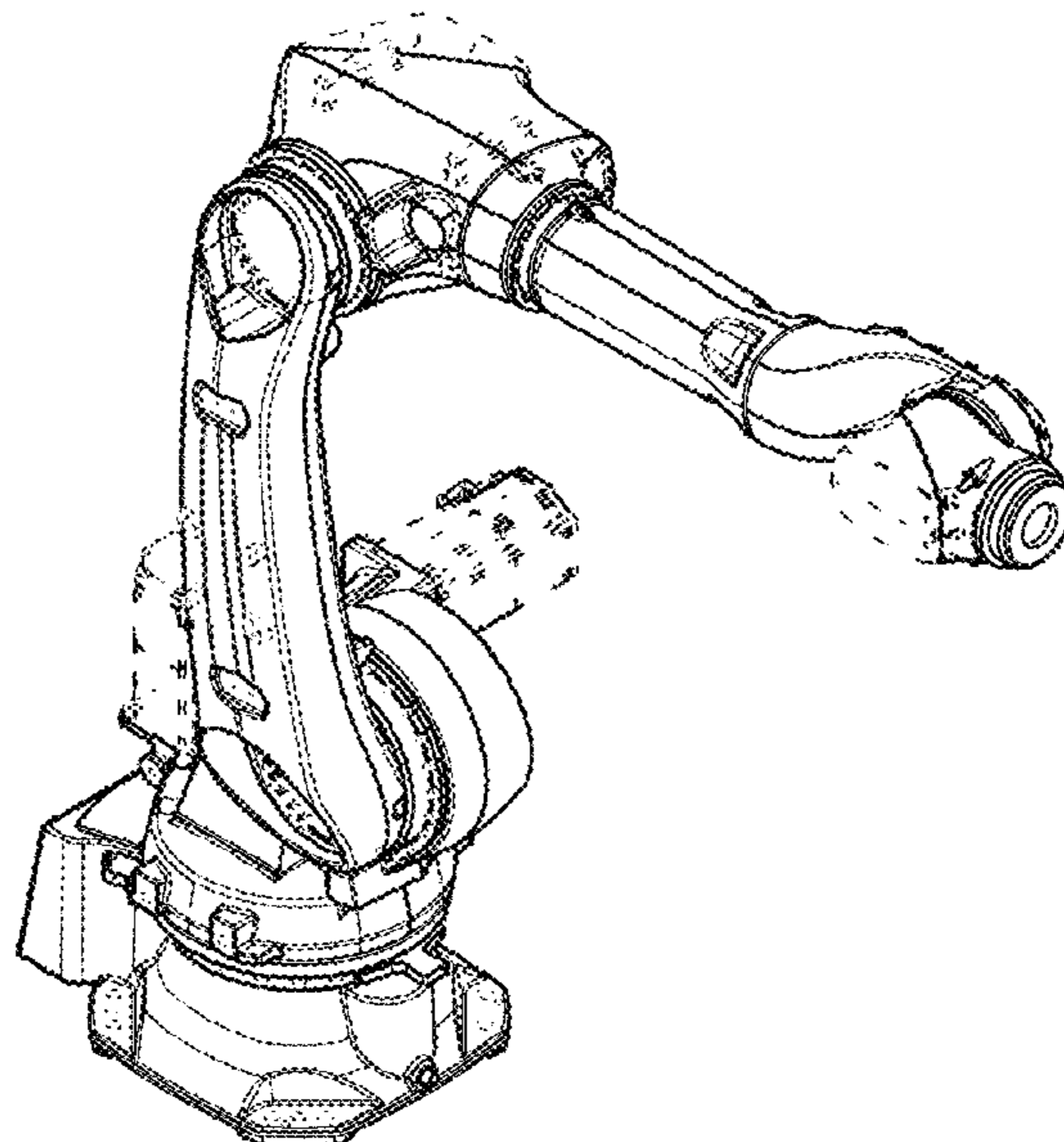
U.S. PATENT DOCUMENTS

D269,681 S \* 7/1983 Morser ..... D15/122  
D279,572 S \* 7/1985 Yasuoka ..... D15/122  
D300,935 S \* 5/1989 Maddock ..... D15/122  
D307,282 S \* 4/1990 Suica ..... D15/199  
D334,581 S \* 4/1993 Yoshikawa ..... D15/199  
D344,279 S \* 2/1994 Koyama ..... D15/199  
D344,280 S \* 2/1994 Koyama ..... D15/199  
D410,477 S \* 6/1999 Nihei ..... D15/199  
D444,488 S \* 7/2001 Selic ..... D15/199  
D616,477 S \* 5/2010 Long ..... D15/199  
D616,909 S \* 6/2010 Long ..... D15/199  
D629,030 S \* 12/2010 Long ..... D15/199  
D636,803 S \* 4/2011 Nakagiri ..... D15/199  
D650,820 S \* 12/2011 Long ..... D15/199  
D651,627 S \* 1/2012 Long ..... D15/199

**DESCRIPTION**

FIG. 1 is a right, front perspective view of my new robotic manipulator design;  
FIG. 2 is a right, rear perspective view thereof;  
FIG. 3 is a right-side elevation view thereof;  
FIG. 4 is a front elevation view thereof;  
FIG. 5 is a left, front perspective view thereof;  
FIG. 6 is a left-side elevation view thereof;  
FIG. 7 is a rear elevation view thereof; and,  
FIG. 8 is a top plan view thereof.  
The broken dash lines shown in the drawing views represent portions of the robotic manipulator and form no part of the claimed invention.

**1 Claim, 8 Drawing Sheets**



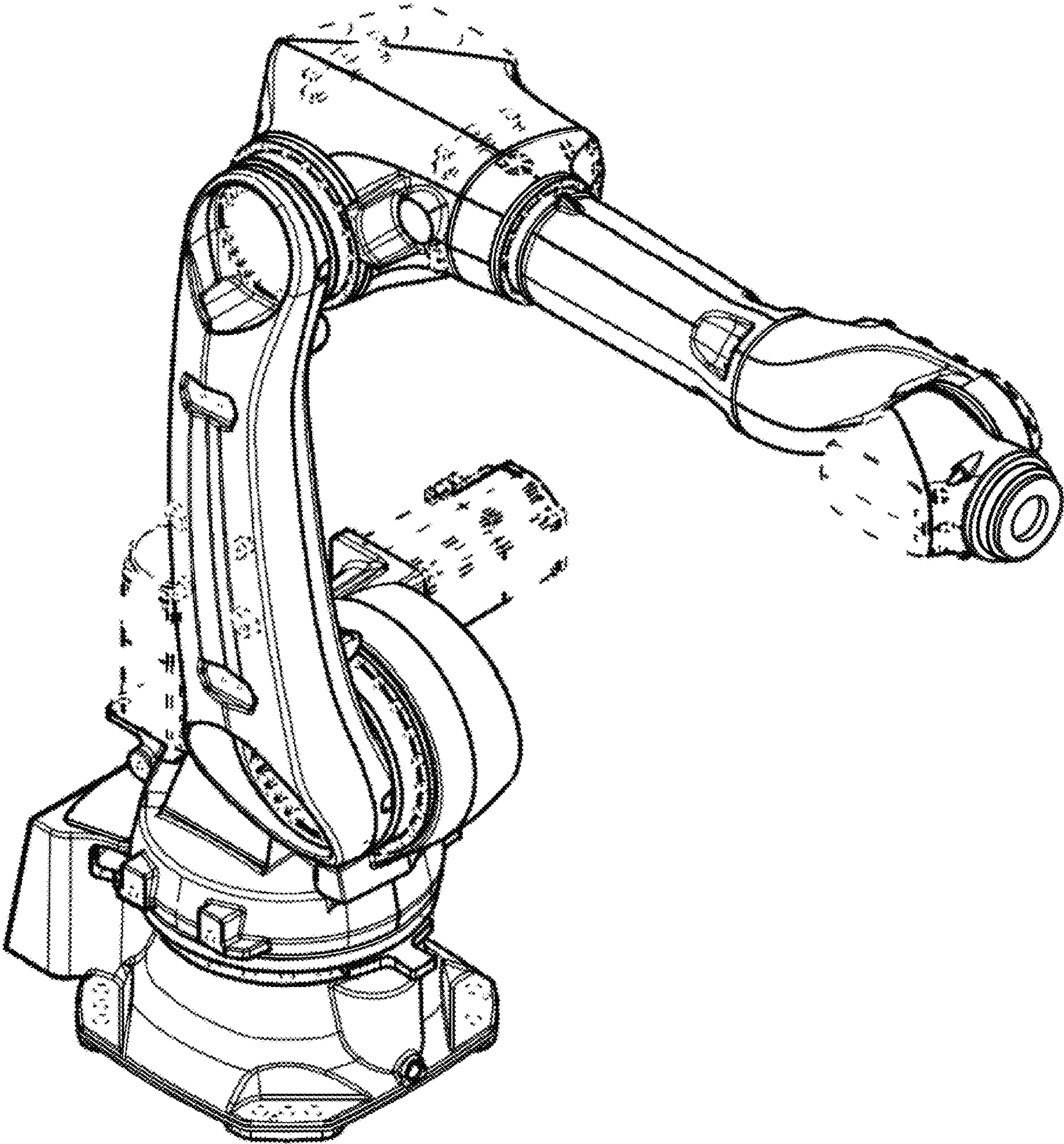


FIG. 1

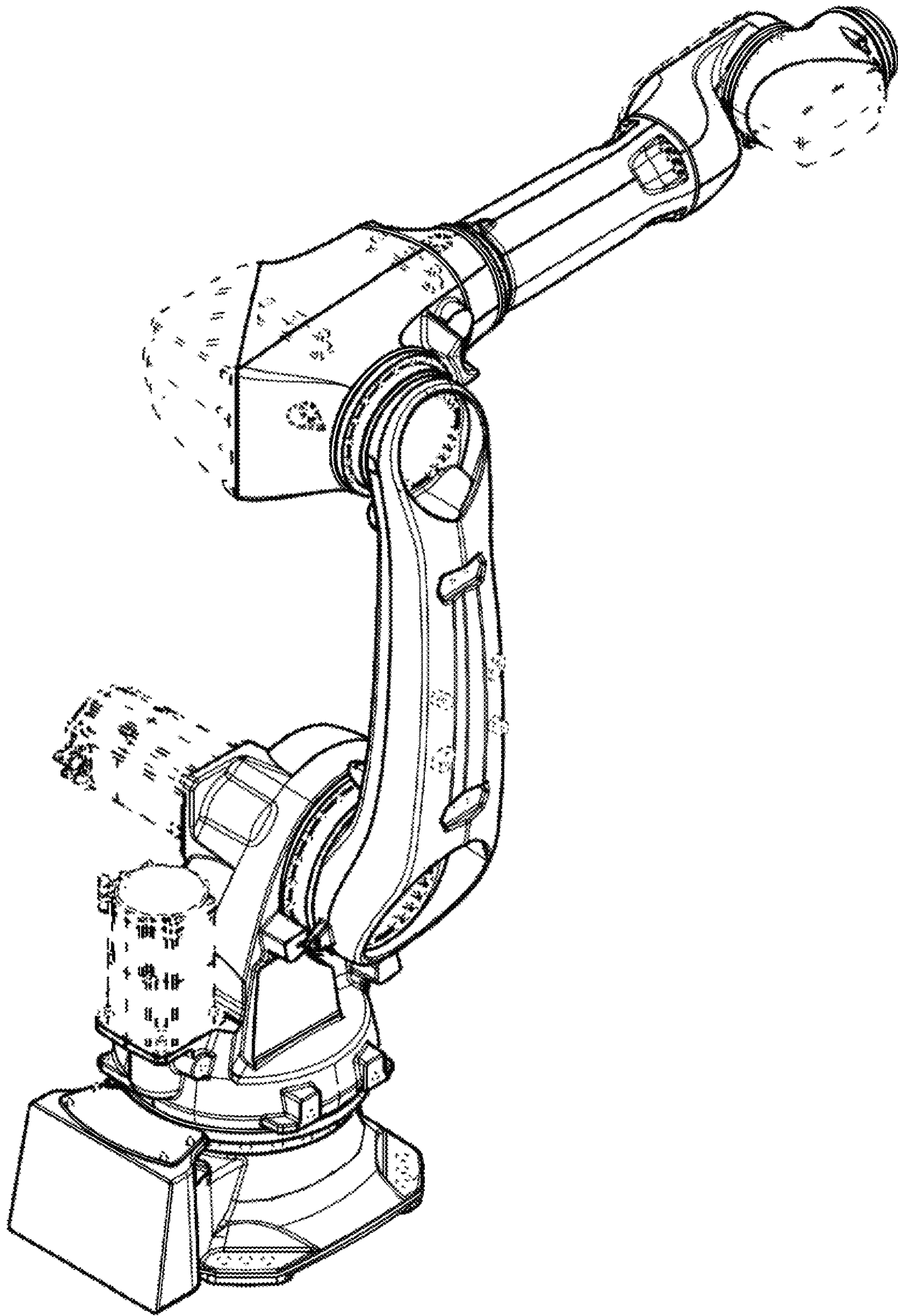


FIG. 2

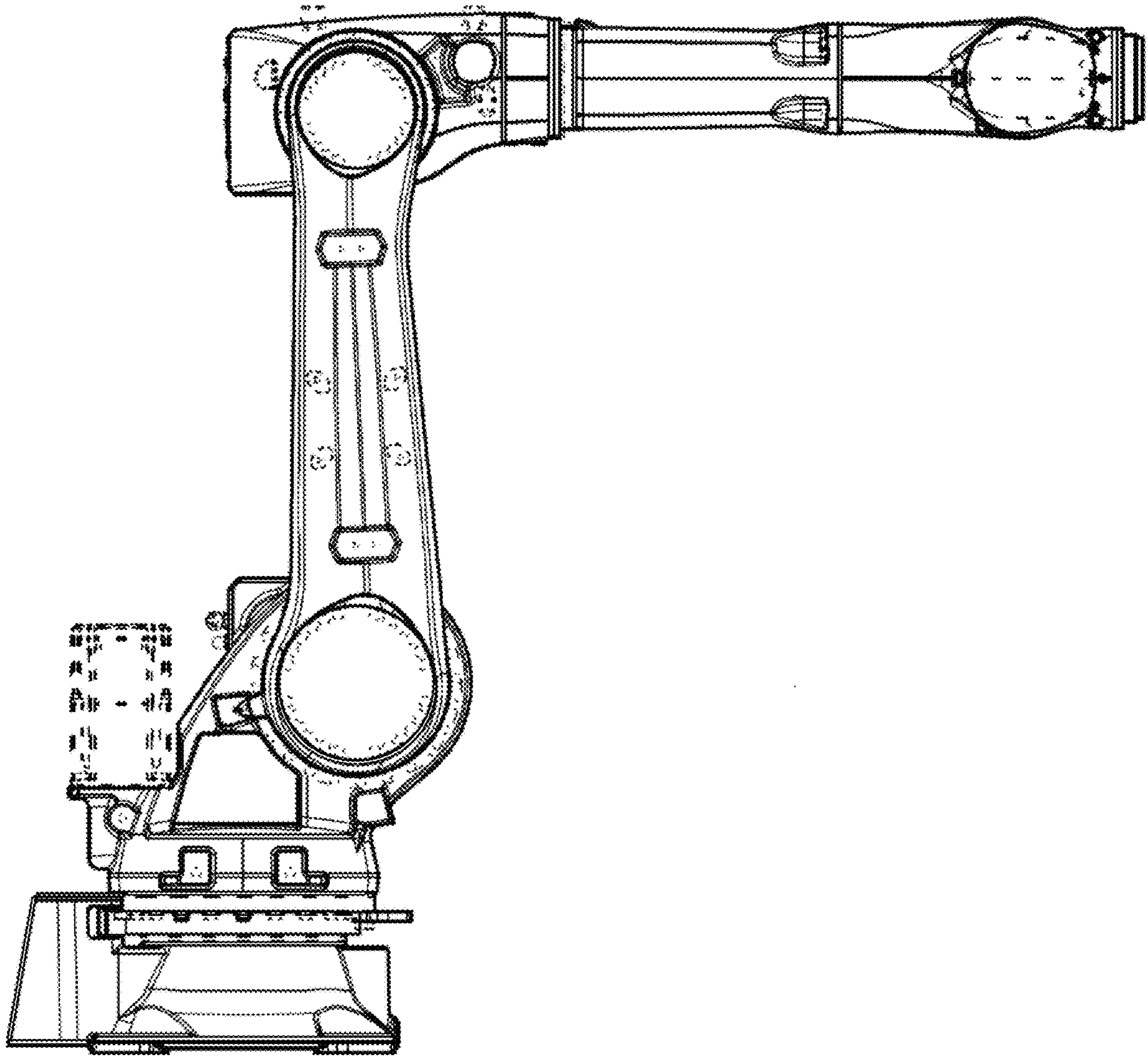


FIG. 3

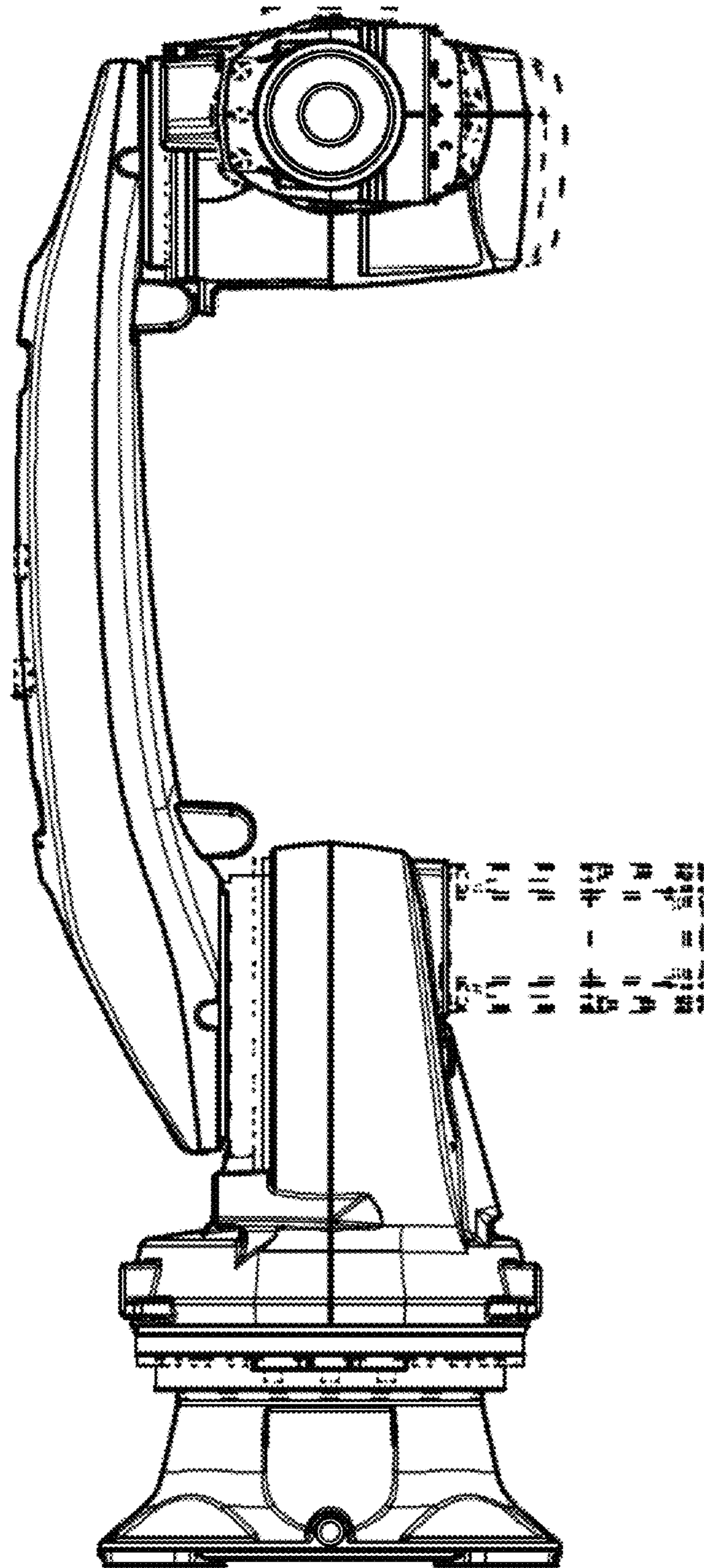


FIG. 4

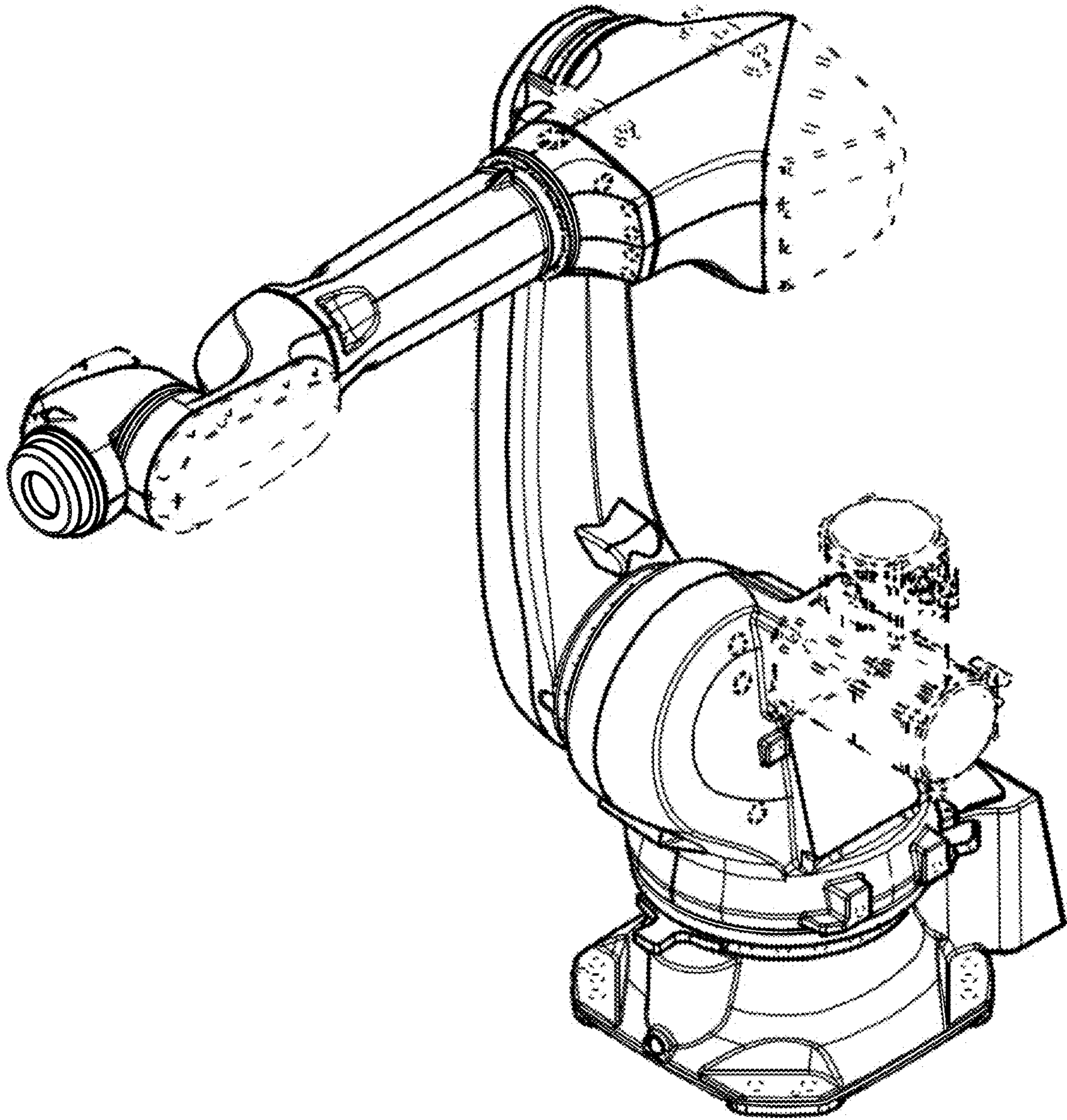


FIG. 5

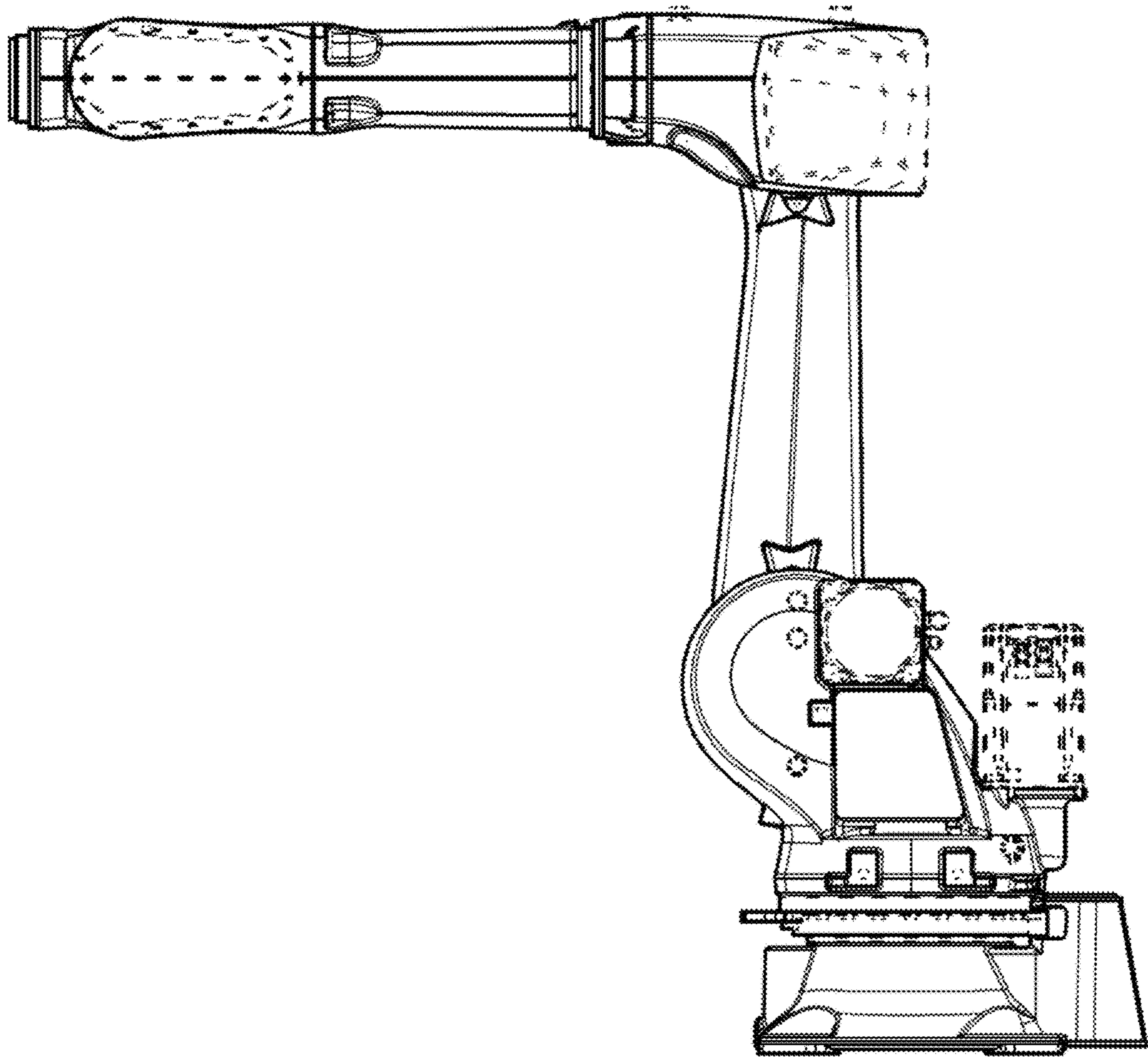


FIG. 6

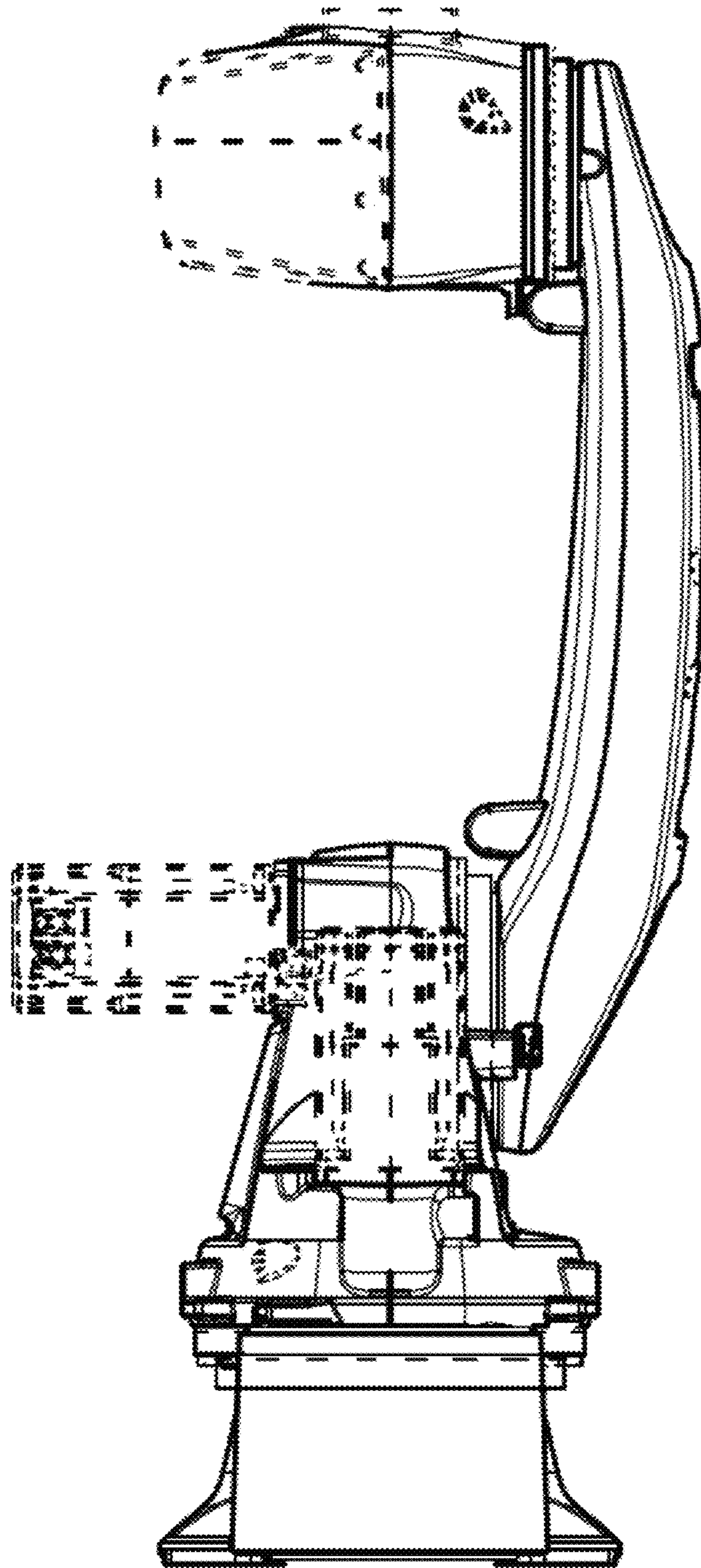


FIG. 7



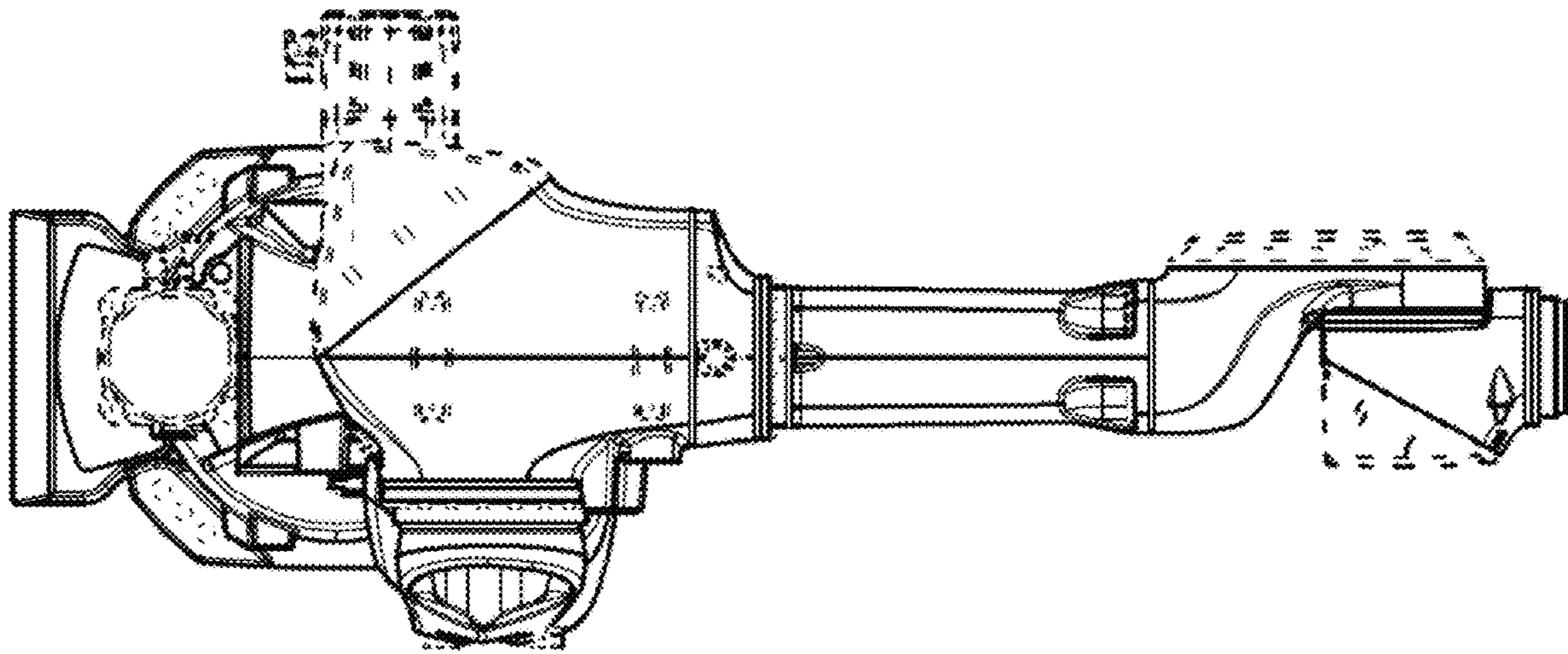


FIG. 8