



US00D928207S

(12) **United States Design Patent**
Nam et al.

(10) **Patent No.: US D928,207 S**
(45) **Date of Patent: ** Aug. 17, 2021**

(54) **RACK FOR DISHWASHER TROLLEY**

(71) Applicant: **LG ELECTRONICS INC.**, Seoul (KR)

(72) Inventors: **Bohyun Nam**, Seoul (KR); **Wonjun Lee**, Seoul (KR); **Seonil Yu**, Seoul (KR); **Kyutae Park**, Seoul (KR); **Jungkyu Son**, Seoul (KR)

(73) Assignee: **LG ELECTRONICS INC.**, Seoul (KR)

(**) Term: **15 Years**

(21) Appl. No.: **35/508,622**

(22) Filed: **Mar. 13, 2019**

(80) **Hague Agreement Data**

Int. Filing Date: **Mar. 13, 2019**
Int. Reg. No.: **DM/205939**
Int. Reg. Date: **Mar. 13, 2019**
Int. Reg. Pub. Date: **Feb. 14, 2020**

(30) **Foreign Application Priority Data**

Sep. 17, 2018 (KR) 30-2018-0043509

(51) **LOC (13) Cl.** **15-07**

(52) **U.S. Cl.**
USPC **D15/89**

(58) **Field of Classification Search**

USPC D32/2, 3, 25, 28
CPC A47L 15/507; A47L 15/4257; A47L 15/22;
A47L 15/23; A47L 15/4221; A47L
15/4285; A47L 15/4293; A47L 15/486;
A47L 15/502; A47L 15/16; A47L
15/4219; A47L 15/4225; A47L 15/4259;
A47L 15/4261; A47L 15/4282; A47L
15/46; A47L 15/488; A47L 15/506; A47L
15/508; A47L 2401/26; A47L 2401/30;
A47L 2501/05; A47L 2501/06; A47L
2501/12; A47L 13/20; A47L 15/0018;

A47L 15/0021; A47L 15/0036; A47L
15/044; A47L 15/0047; A47L 15/0049;
A47L 15/0052; A47L 15/0063; A47L
15/0089; A47L 15/14; A47L 15/18; A47L
15/4214; A47L 15/4234; A47L 15/4236;
A47L 15/4251; A47L 15/4253; A47L
15/4263; A47L 15/4278; A47L 15/4287;
A47L 15/4291; A47L 15/4295; A47L
15/44; A47L 15/48; A47L 15/483; A47L
15/50;

(Continued)

(56) **References Cited**

U.S. PATENT DOCUMENTS

D506,855 S * 6/2005 Compagnucci D32/3
D640,842 S * 6/2011 Eng D32/3
(Continued)

Primary Examiner — Khawaja Anwar

(74) *Attorney, Agent, or Firm* — Birch, Stewart, Kolasch & Birch LLP

(57) **CLAIM**

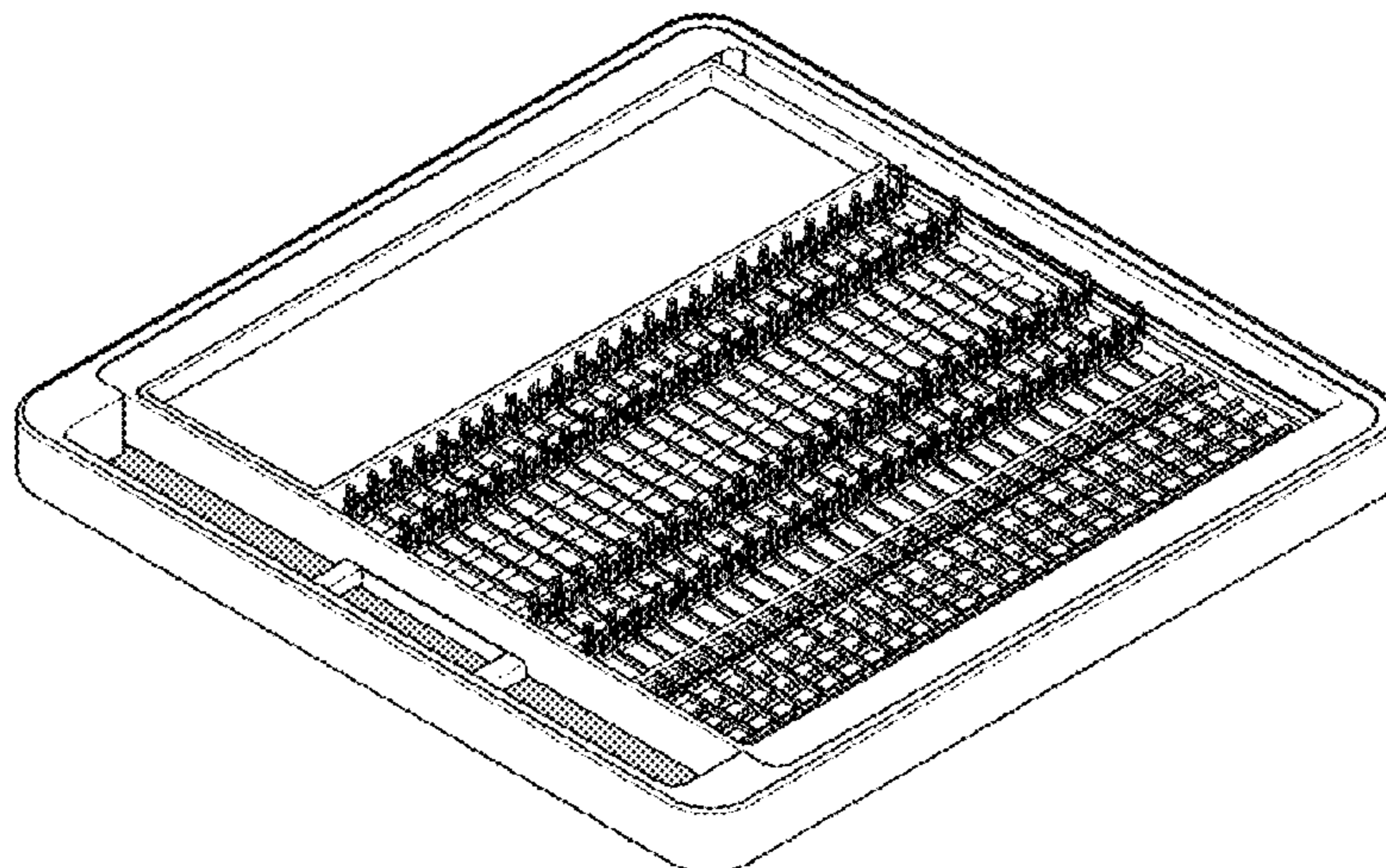
The ornamental design for a rack for dishwasher trolley, as shown and described.

DESCRIPTION

- 1. Rack for dishwasher trolley
- 1.1 : Perspective
- 1.2 : Front
- 1.3 : Back
- 1.4 : Left
- 1.5 : Right
- 1.6 : Top
- 1.7 : Bottom
- 1.8 : Reference

The broken lines shown in Figures 1.2-1.5 depict portions of the rack for dishwasher trolley that form no part of the claimed design. The portion of the design shown in the color grey in Figures 1.1 and 1.6-1.8 is for the purpose of

(Continued)



illustrating portions of the rack for dishwasher trolley and forms no part of the claimed design. (56)

1 Claim, 8 Drawing Sheets

(58) **Field of Classification Search**

CPC A47L 15/501; A47L 15/504; A47L 15/505;
A47L 2301/00; A47L 2401/04; A47L
2401/06; A47L 2401/09; A47L 2401/12;
A47L 2401/14; A47L 2401/18; A47L
2401/19; A47L 2401/20; A47L 2401/24;
A47L 2401/34; A47L 2501/01; A47L
2501/02; A47L 2501/03; A47L 2501/07;
A47L 2501/10; A47L 2501/26; A47L
2501/30; A47L 2501/36; A47L 2601/06;
A47L 2601/10

See application file for complete search history.

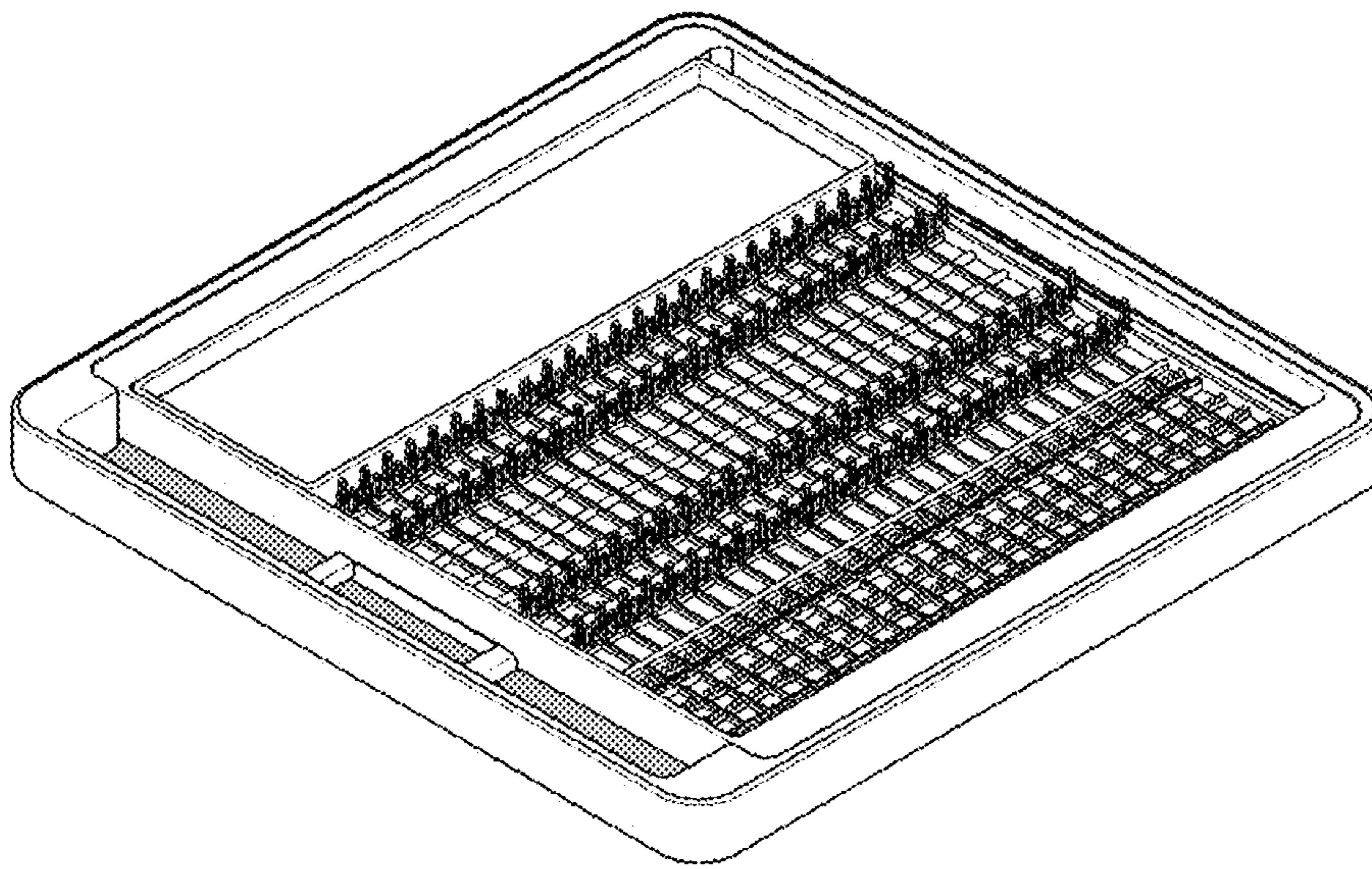
References Cited

U.S. PATENT DOCUMENTS

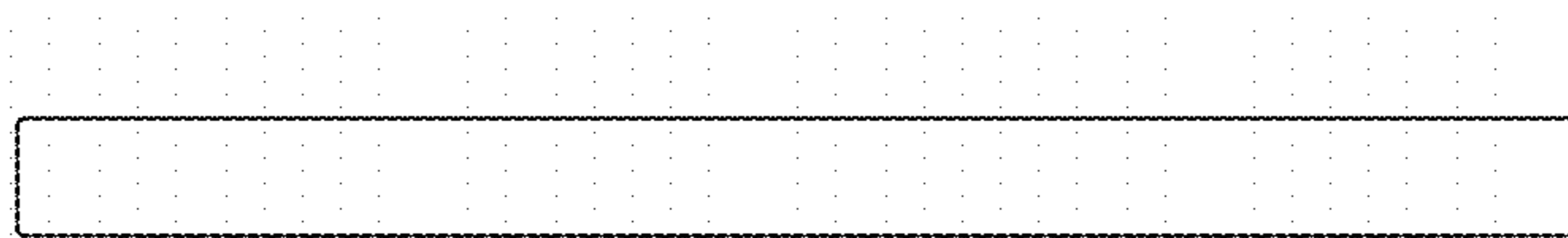
D683,504	S	*	5/2013	Clores	D32/3
D688,426	S	*	8/2013	Clores	D32/3
D725,325	S	*	3/2015	Lee	D32/3
D725,851	S	*	3/2015	Lee	D32/3
D752,299	S	*	3/2016	Clores	D32/3
D762,019	S	*	7/2016	Ferencevich	D32/3
D773,751	S	*	12/2016	Hederstierna	D32/3
D827,223	S	*	8/2018	Lee	D32/3
D833,691	S	*	11/2018	Chavez	D32/3
D838,062	S	*	1/2019	Lee	D32/3
D850,031	S	*	5/2019	Han	D32/3
D858,007	S	*	8/2019	Chavez	D32/3
D897,615	S	*	9/2020	Nam	D32/3

* cited by examiner

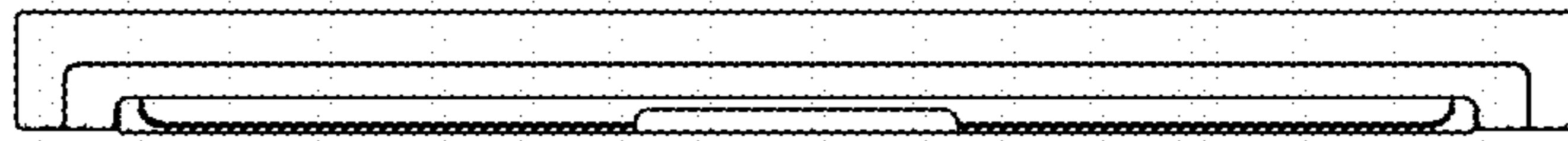
1.1



1.2



1.3



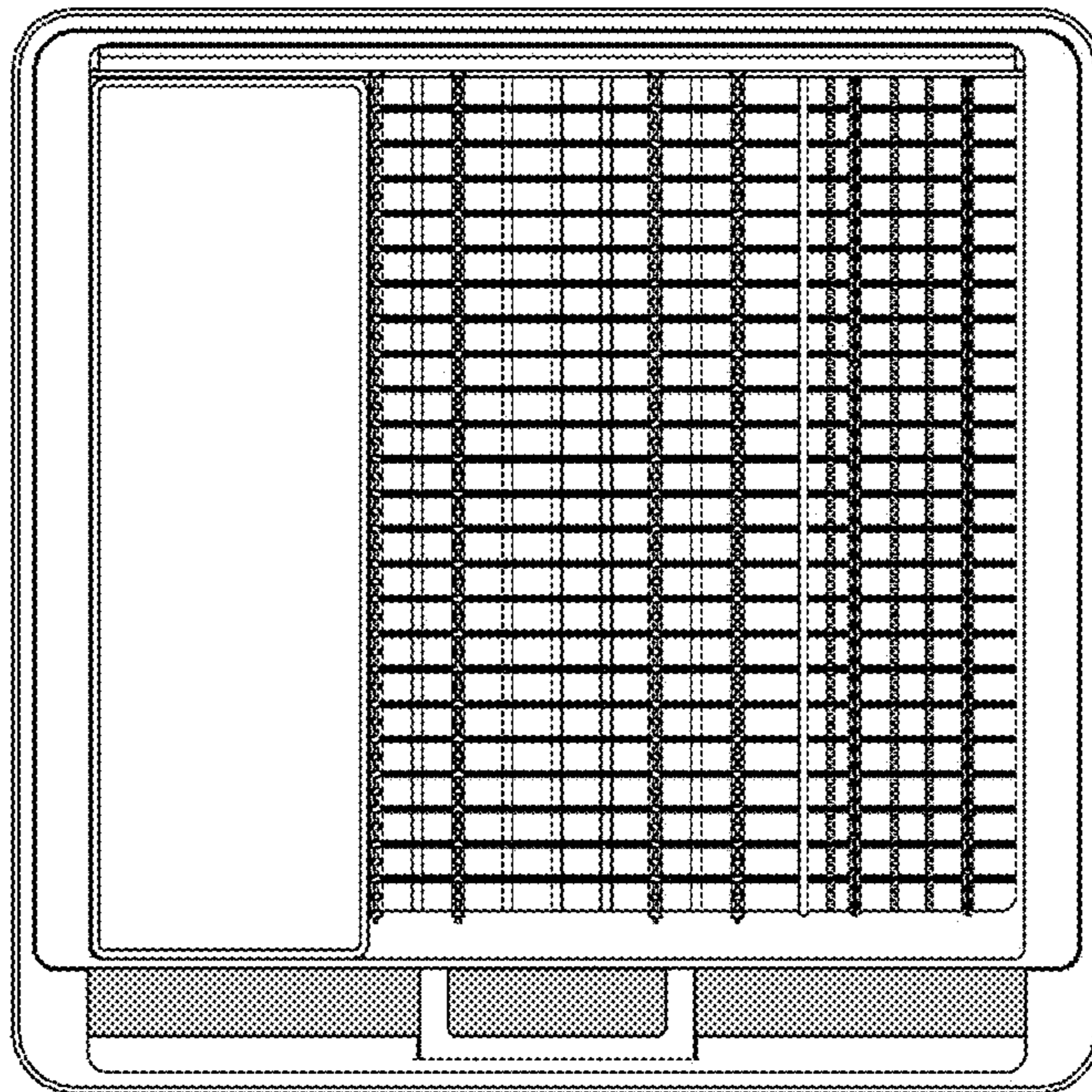
1.4



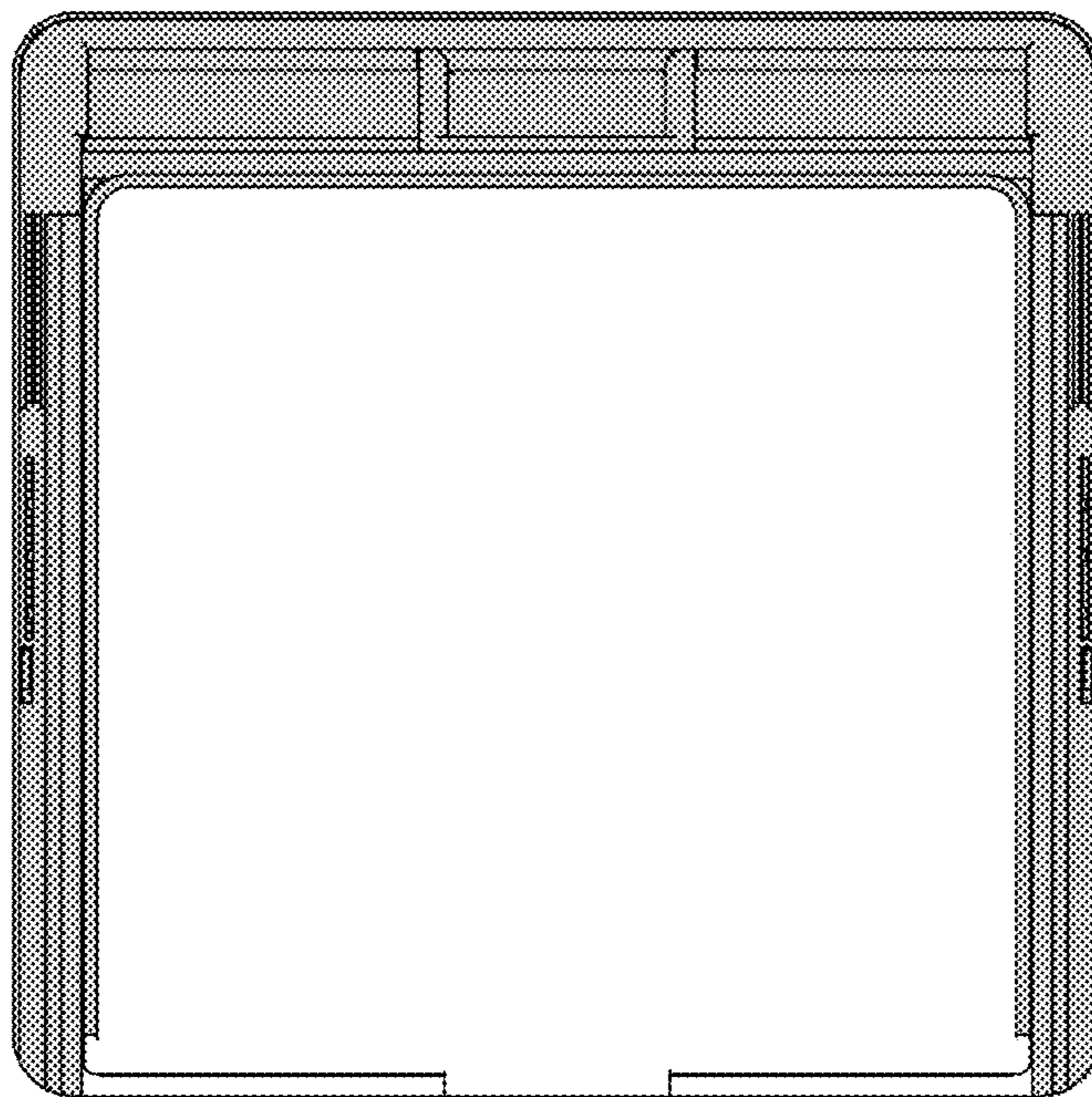
1.5



1.6



1.7



1.8

