



US00D928206S

(12) **United States Design Patent** (10) **Patent No.:** **US D928,206 S**  
**Yeo** (45) **Date of Patent:** **\*\* Aug. 17, 2021**

(54) **DOOR-MOUNTED REFRIGERATOR**

2317/0664; F25D 2321/147; F25D 2323/02; F25D 23/023; F25B 21/02

(71) Applicant: **LG ELECTRONICS INC.**, Seoul (KR)

See application file for complete search history.

(72) Inventor: **Insun Yeo**, Seoul (KR)

(56) **References Cited**

(73) Assignee: **LG Electronics Inc.**, Seoul (KR)

U.S. PATENT DOCUMENTS

(\*\*) Term: **15 Years**

5,474,213 A \* 12/1995 Unger ..... F25C 5/22  
222/108  
2003/0005716 A1 \* 1/2003 Doran ..... F25D 23/10  
62/263  
2008/0278335 A1 \* 11/2008 Welte ..... G07C 9/28  
340/573.3  
2017/0188542 A1 \* 7/2017 Dix ..... A01K 1/035

(21) Appl. No.: **35/509,041**

(22) Filed: **Oct. 8, 2019**

(Continued)

(80) **Hague Agreement Data**

*Primary Examiner* — Richard E Chilcot

Int. Filing Date: **Oct. 8, 2019**

(74) *Attorney, Agent, or Firm* — Birch, Stewart, Kolasch & Birch, LLP

Int. Reg. No.: **DM/205018**

Int. Reg. Date: **Oct. 8, 2019**

Int. Reg. Pub. Date: **Apr. 10, 2020**

(57) **CLAIM**

The ornamental design for a door-mounted refrigerator, as shown and described.

(30) **Foreign Application Priority Data**

**DESCRIPTION**

Apr. 11, 2019 (KR) ..... 30-2019-0017176

(51) **LOC (13) Cl.** ..... **15-07**

(52) **U.S. Cl.**

USPC ..... **D15/79**

CPC ..... **F25B 21/02** (2013.01)

(58) **Field of Classification Search**

USPC ..... D15/79-91

CPC ..... F25D 25/025; F25D 23/028; F25D 2323/024; F25D 23/00; F25D 23/02; F25D 2323/021; F25D 23/065; F25D 11/00; F25D 2201/14; F25D 23/021; F25D 23/025; F25D 23/04; F25D 27/00; F25D 23/062; F25D 23/067; F25D 2400/18; F25D 23/08; F25D 23/085; F25D 2500/02; F25D 25/00; F25D 25/005; F25D 25/022; F25D 25/024; F25D 17/047; F25D 2317/041; F25D 2317/04131; F25D 2317/043; F25D

1. Door-mounted refrigerator

1.1 : Perspective

1.2 : Front

1.3 : Back

1.4 : Left

1.5 : Right

1.6 : Top

1.7 : Bottom

1.8 : Perspective

1.9 : Front

1.10 : Back

1.11 : Left

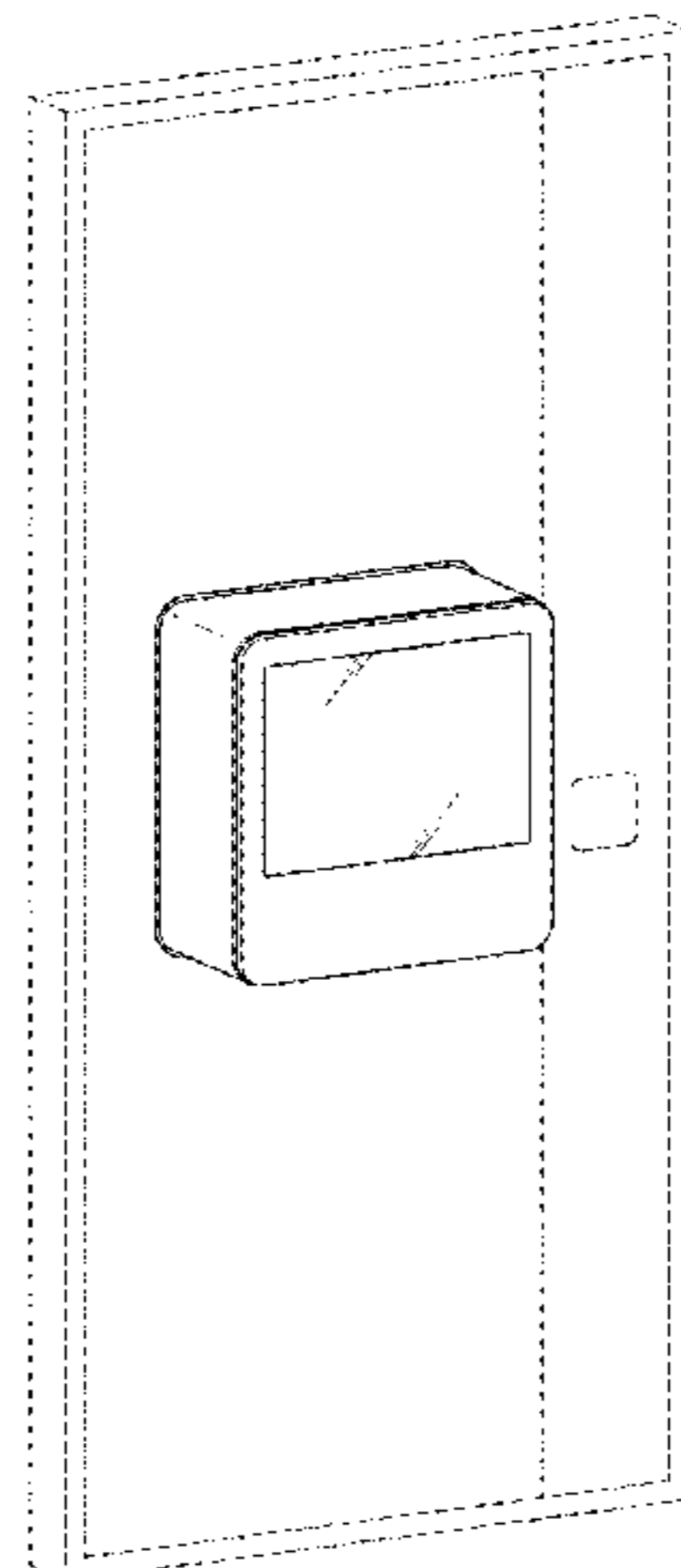
1.12 : Right

1.13 : Top

1.14 : Bottom

Reproductions 1.1 to 1.7 indicate a normal state of the claimed design; reproductions 1.8 to 1.14 indicate a state of the door that is changed to the state of 'see-through door' according to a signal from the sensor that has detected user's

(Continued)



approach or touch; broken lines illustrate environmental condition only and form no part of the claimed design.

**1 Claim, 14 Drawing Sheets**

(56)

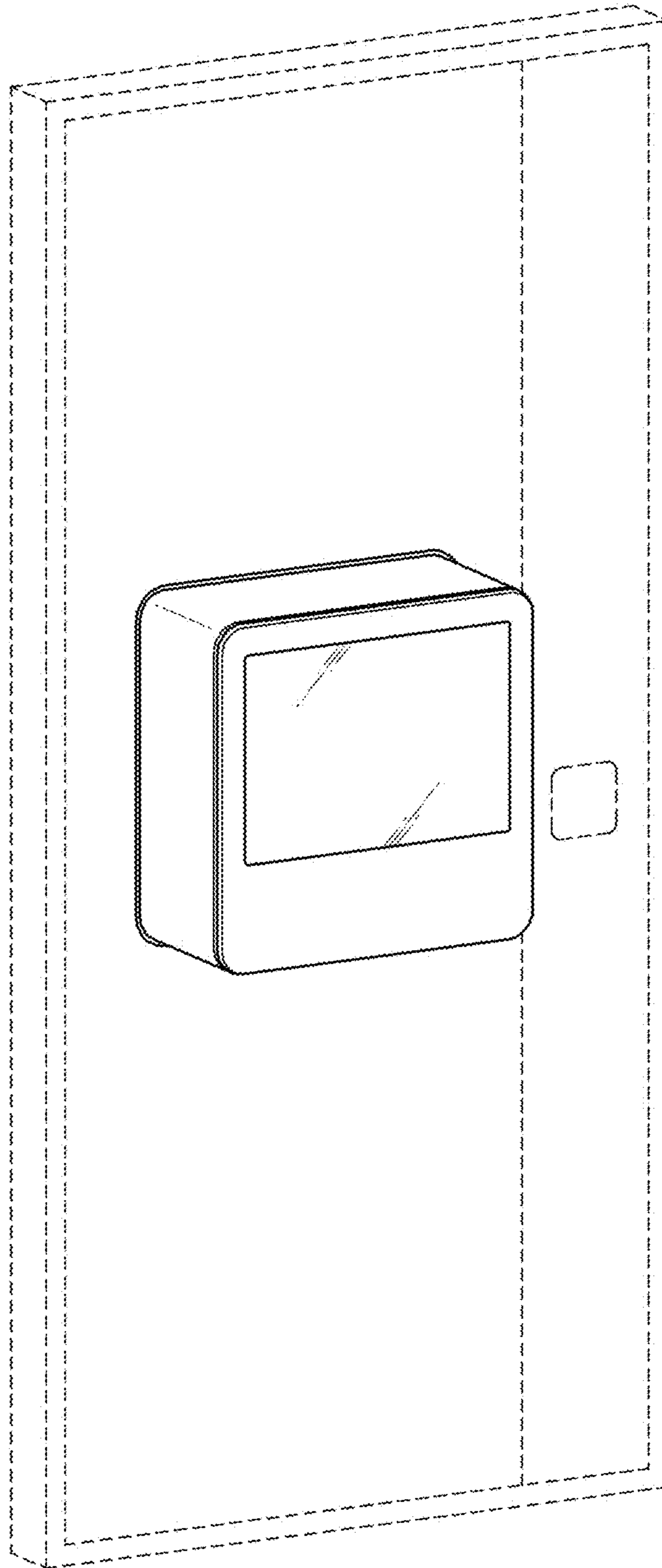
**References Cited**

U.S. PATENT DOCUMENTS

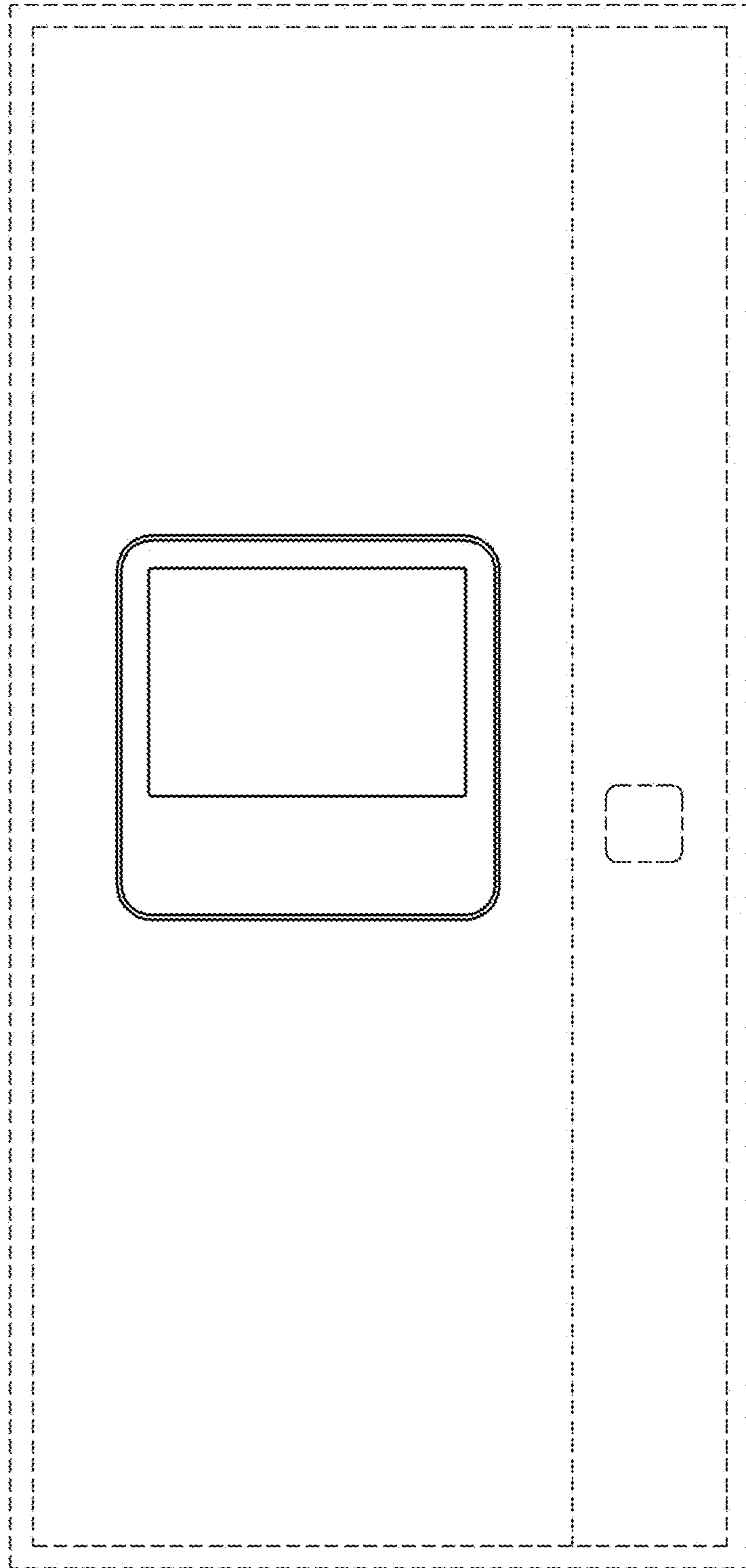
2018/0172337	A1*	6/2018	Choi	.....	E06B 1/00
2019/0257556	A1*	8/2019	Pinet	.....	A47F 3/0434
2019/0271500	A1*	9/2019	Lee	.....	G02B 6/0088

\* cited by examiner

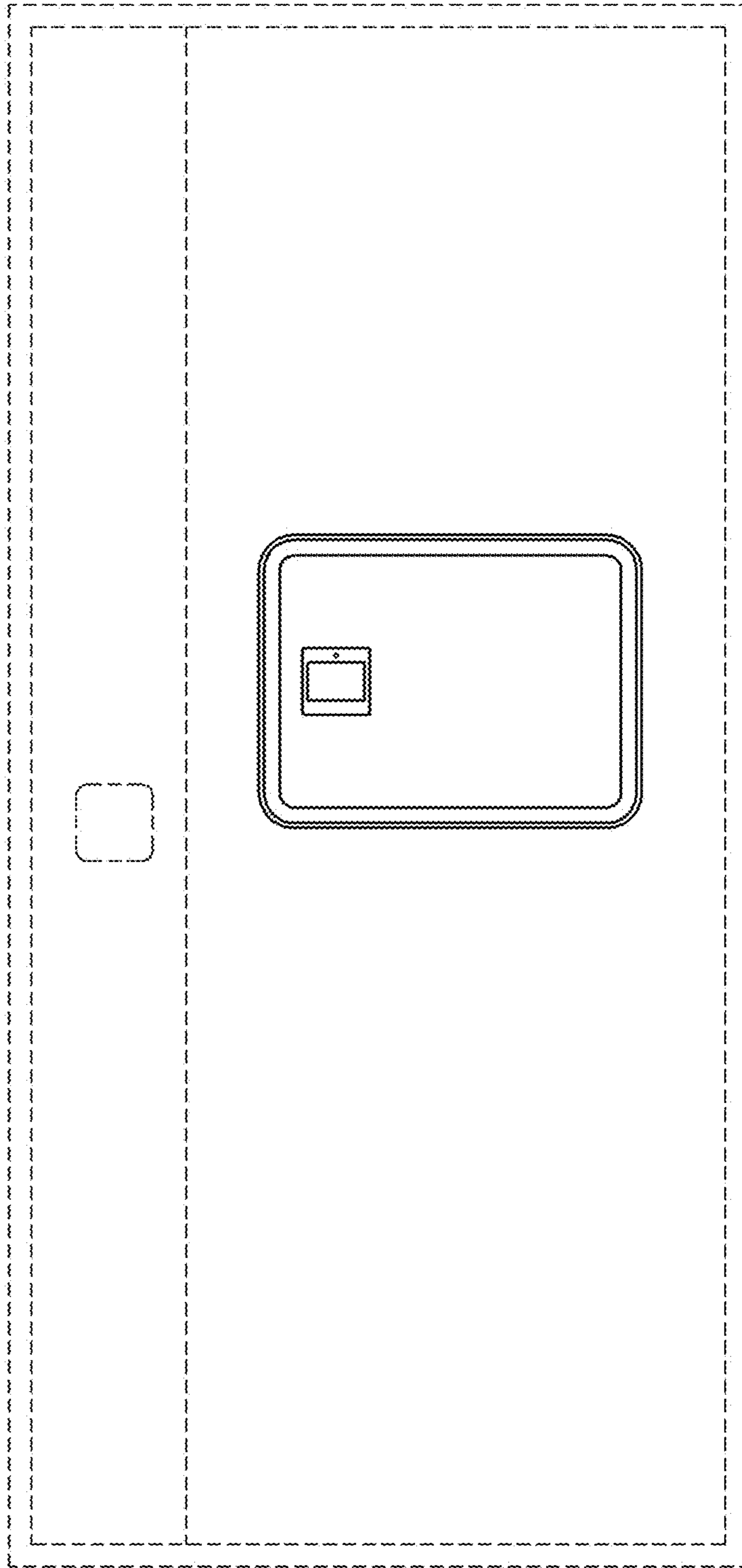
1.1



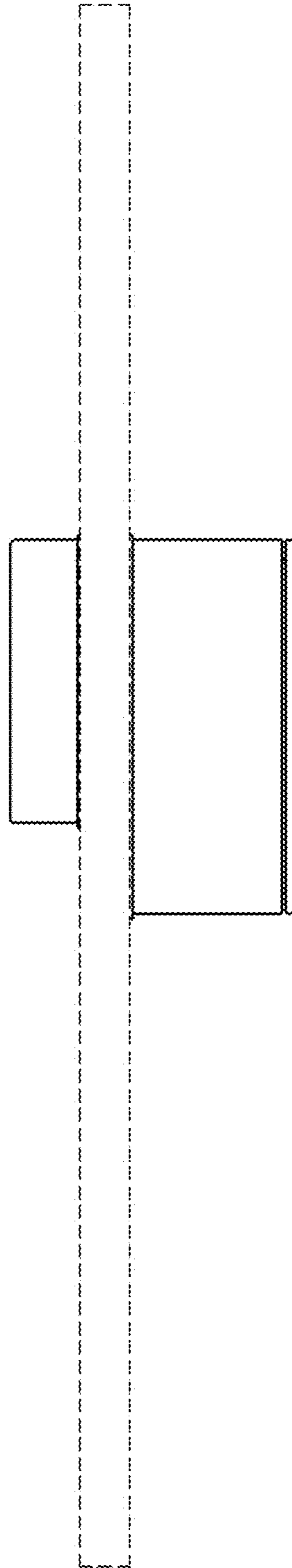
1.2



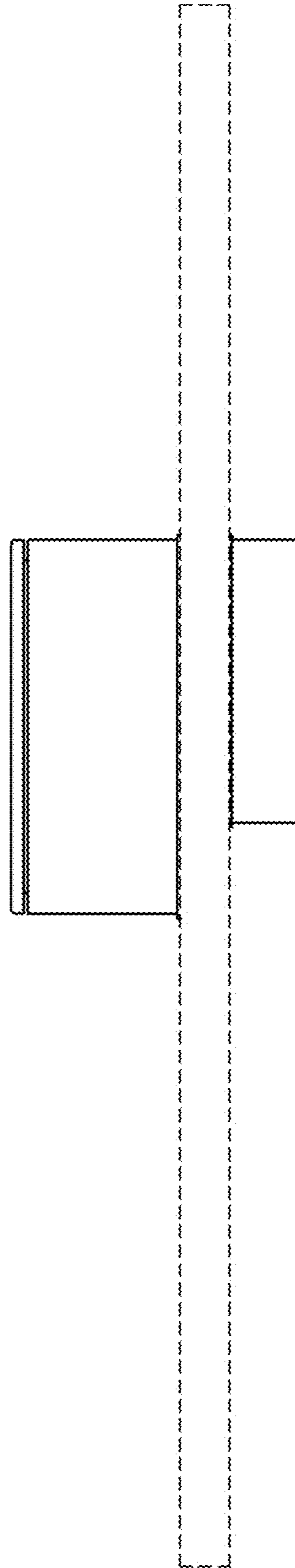
1.3



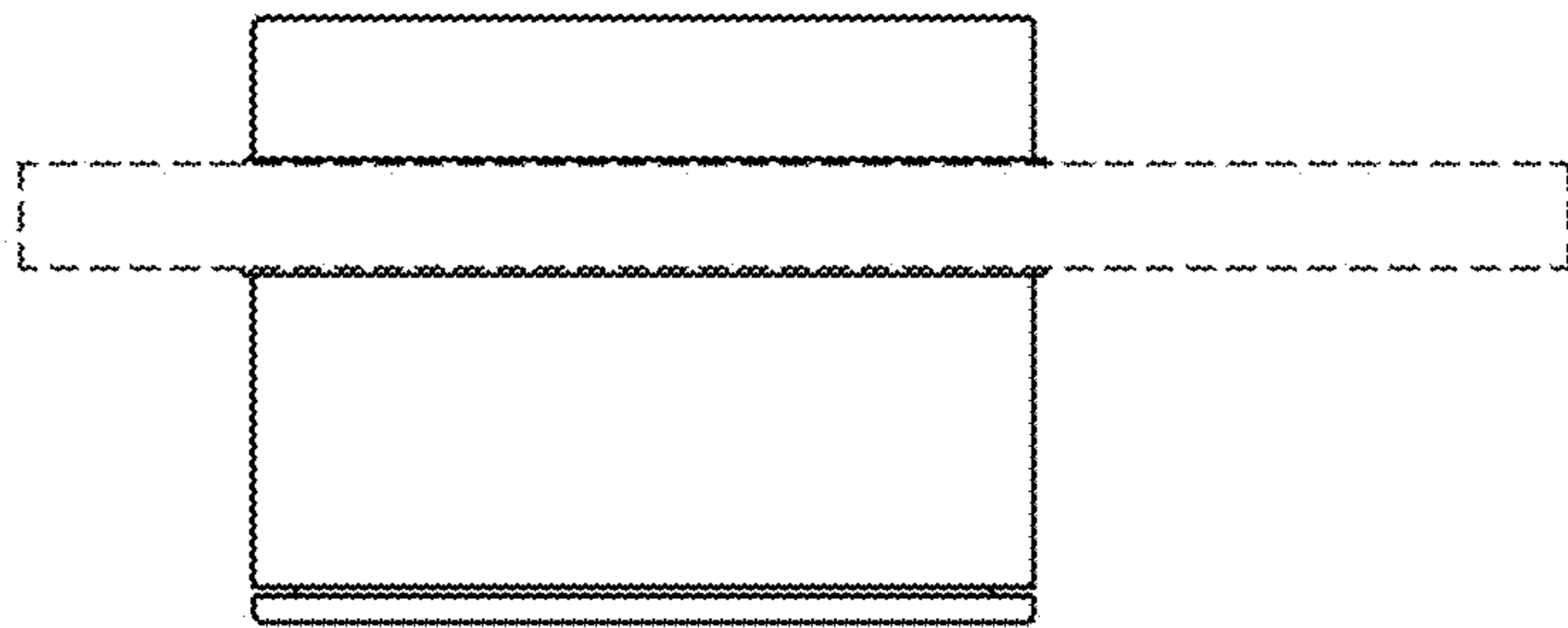
1.4



1.5

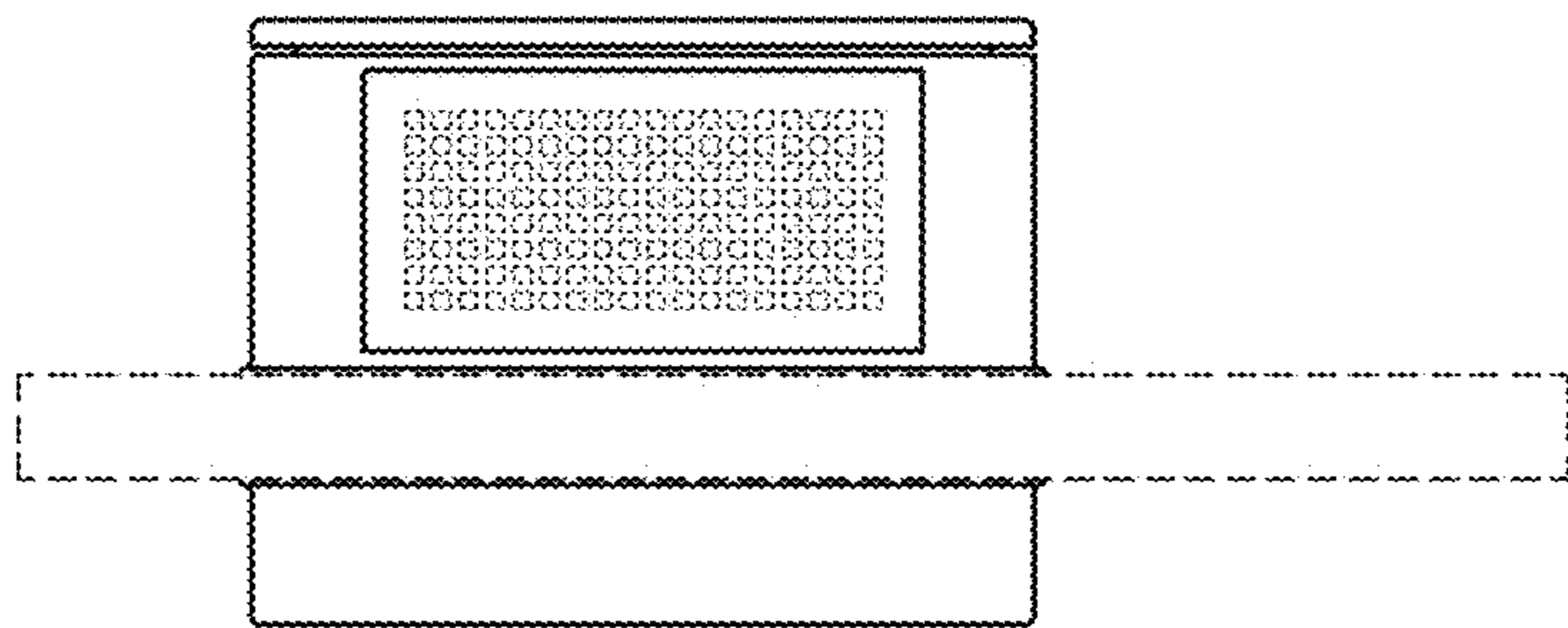


1.6

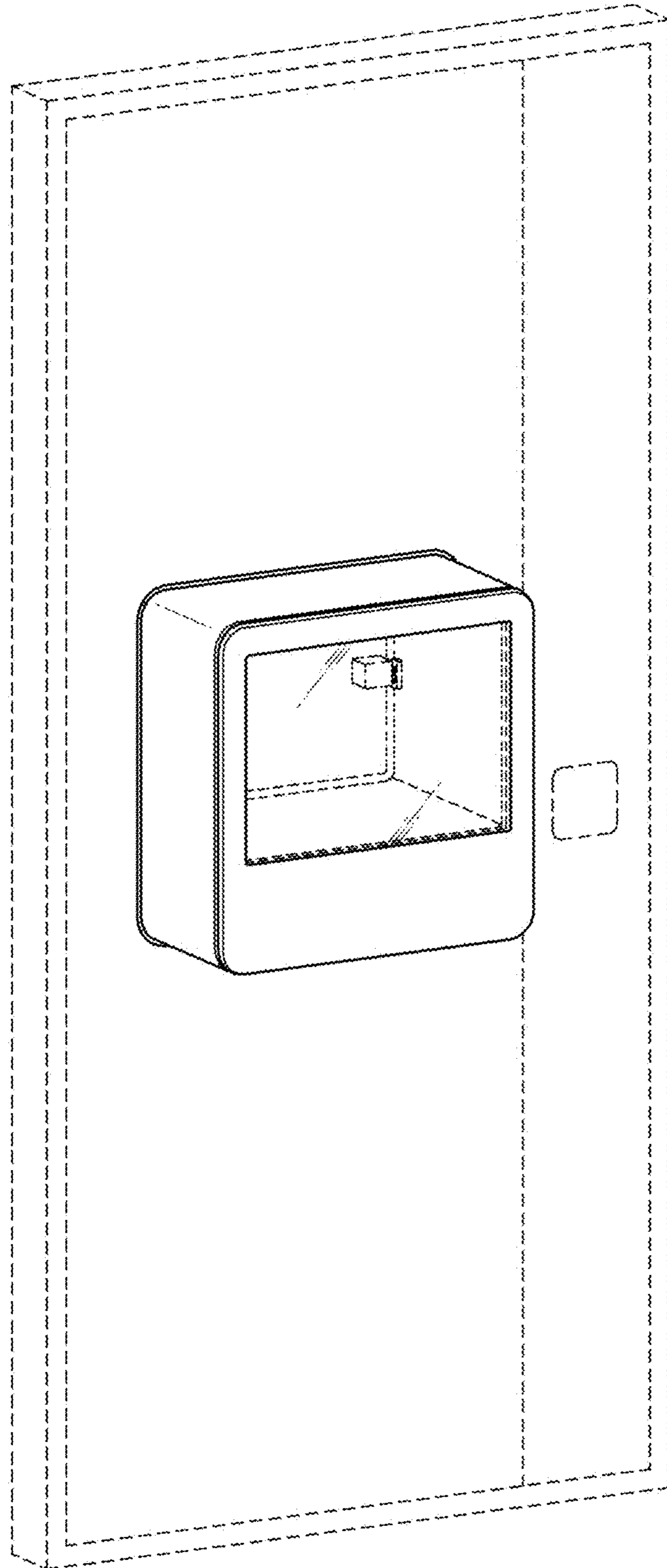




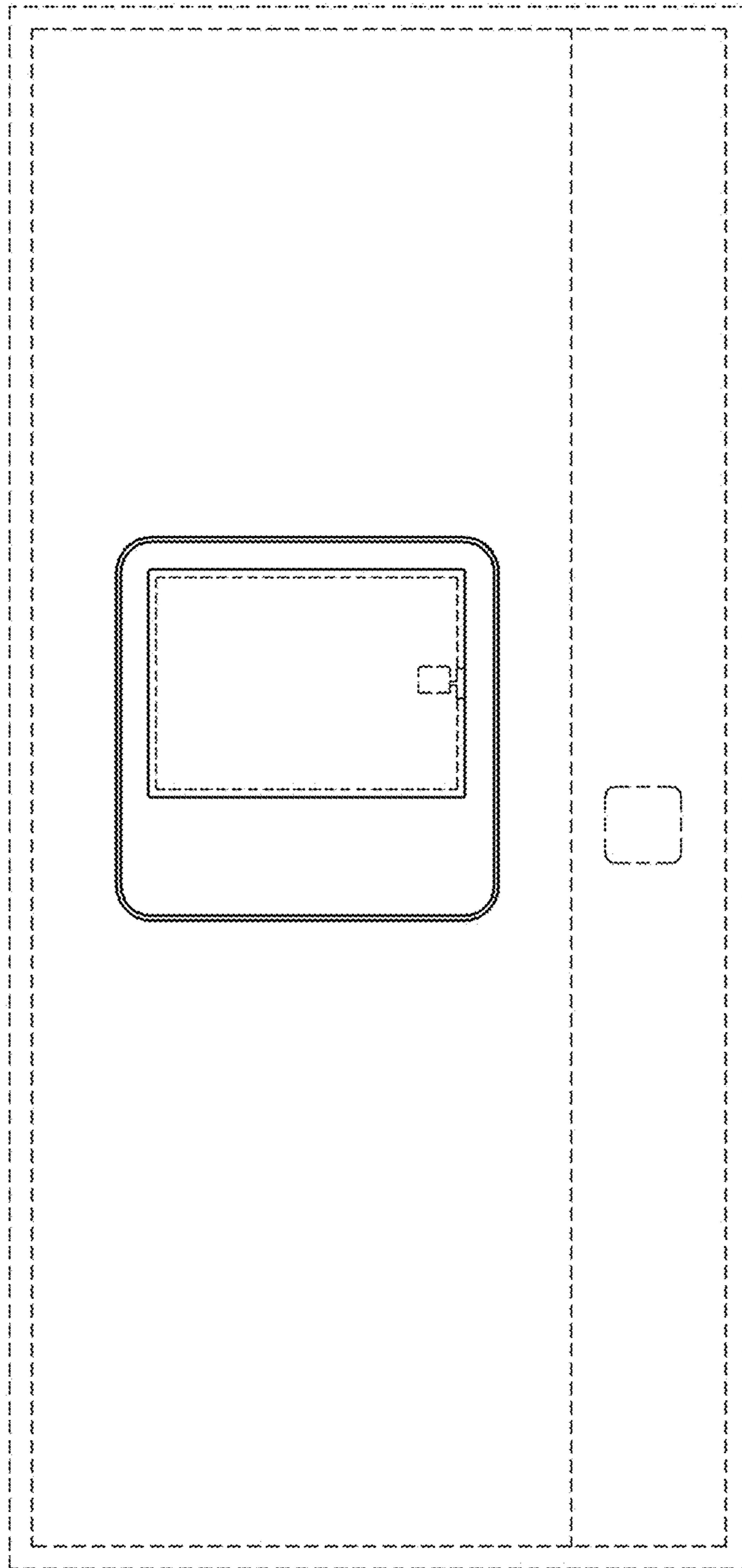
1.7



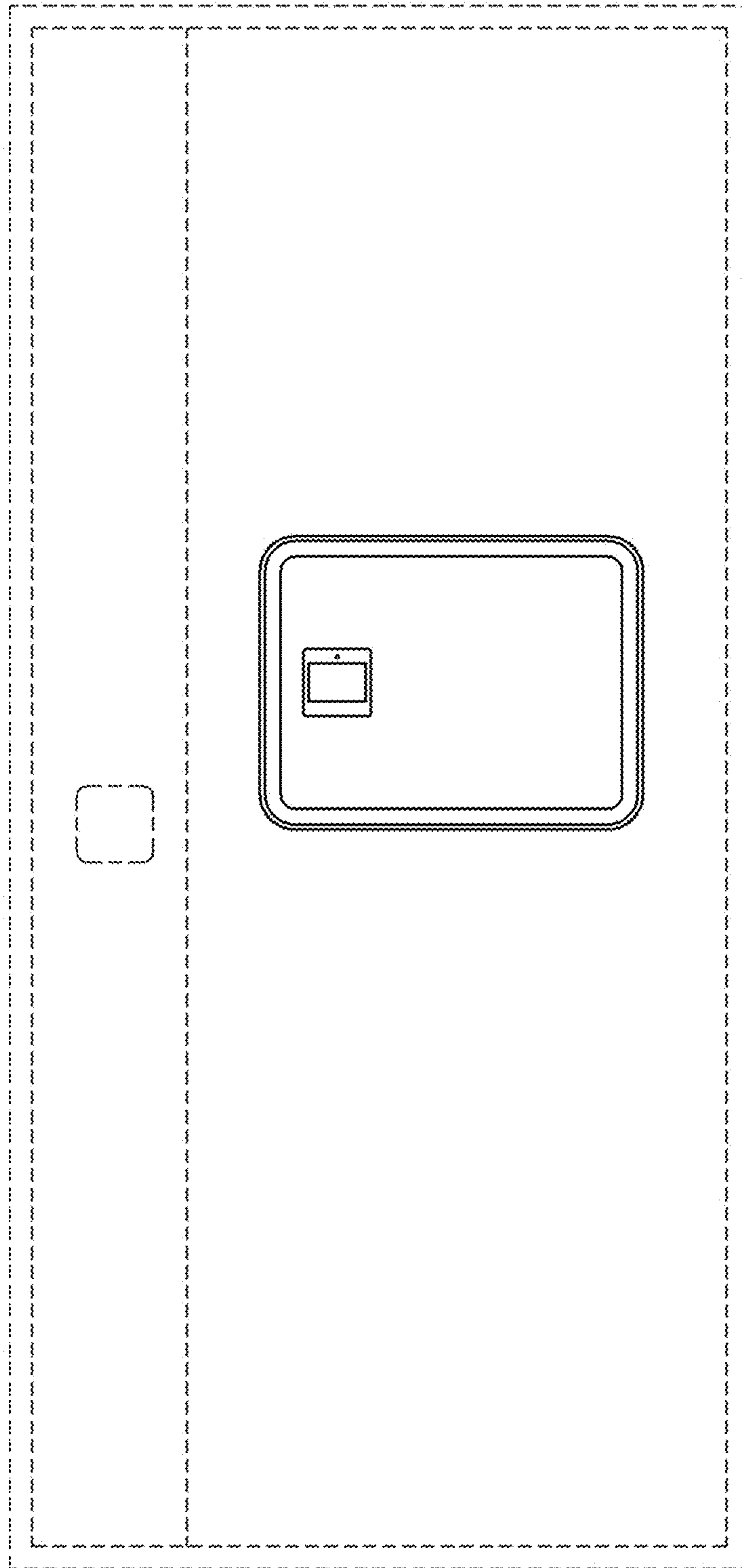
1.8



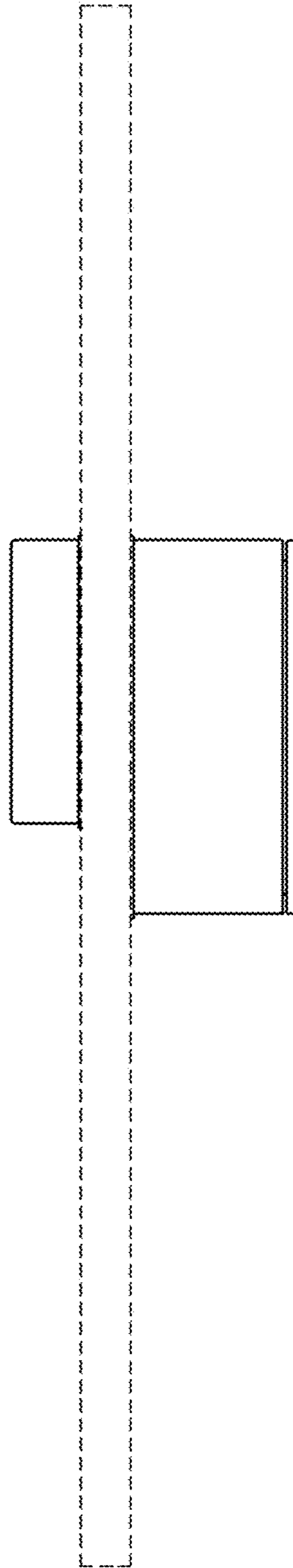
1.9



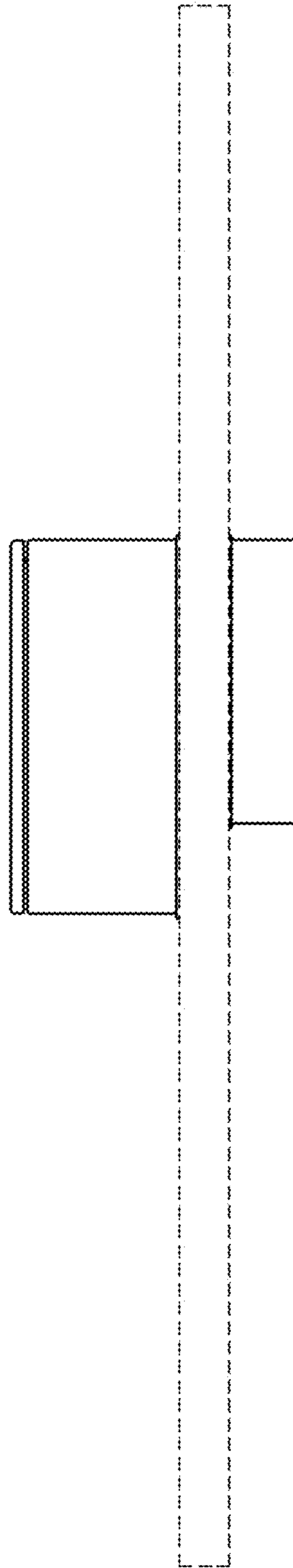
1.10



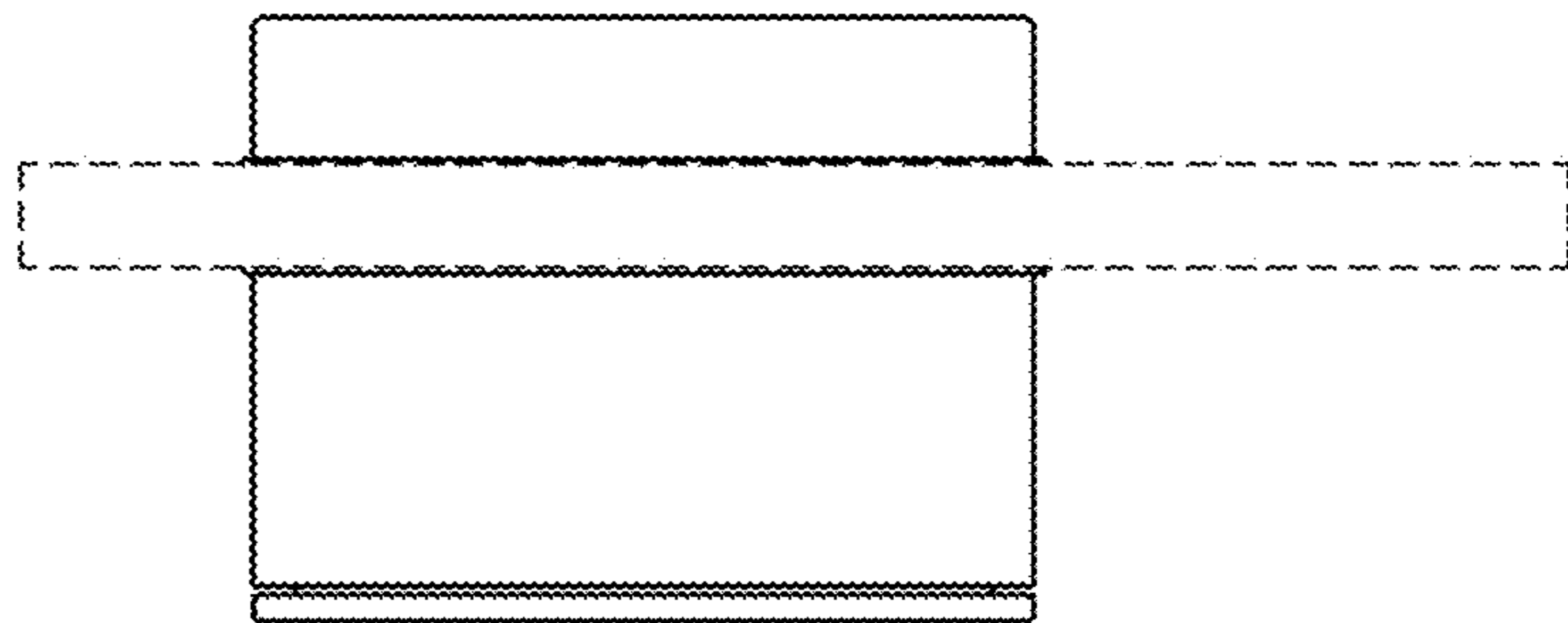
1.11



1.12



1.13



1.14

