



US00D928204S

(12) **United States Design Patent** (10) **Patent No.:** **US D928,204 S**
Huenink et al. (45) **Date of Patent:** **** Aug. 17, 2021**

(54) **FRONT SHOULDER OF A WORK MACHINE**

D311,543 S 10/1990 Hardzinski et al.
D327,276 S 6/1992 Sorensen
D416,266 S 11/1999 Del Torchio
D419,164 S 1/2000 Heiler et al.
D447,153 S 8/2001 Hornung
D447,754 S 9/2001 Smith et al.

(71) Applicant: **DEERE & COMPANY**, Moline, IL
(US)

(72) Inventors: **Brian Huenink**, Cedar Grove, WI
(US); **Richard N. Knowles, Jr.**,
Waterloo, IA (US); **Felix Nagelin**,
Malibu, CA (US); **John W. Krieger**,
Westlake Village, CA (US); **William
Clayton Martin**, Stillwater, OK (US);
Thomas C. Boe, Cedar Falls, IA (US)

(Continued)

FOREIGN PATENT DOCUMENTS

CN 304913471 S 11/2018
KR 300611812 9/2011
KR 300789169 3/2015

(73) Assignee: **DEERE & COMPANY**, Moline, IL
(US)

OTHER PUBLICATIONS

AGCO, Fendt 300 Vario Power, 2015, 12 Pages.

(**) Term: **15 Years**

(Continued)

(21) Appl. No.: **29/671,778**

Primary Examiner — Mark A Goodwin

(22) Filed: **Nov. 29, 2018**

(30) **Foreign Application Priority Data**

May 30, 2018 (EM) 005288503
May 30, 2018 (EM) 005289014

(57) **CLAIM**

The ornamental design for a front shoulder of a work machine, as shown and described.

(51) **LOC (13) Cl.** **15-03**

DESCRIPTION

(52) **U.S. Cl.**

USPC **D15/31**

(58) **Field of Classification Search**

USPC D15/10, 11, 13-17, 28, 22-26, 30, 31;
D12/173; 56/13.3, 13.4, 15.8, 15.9,
56/320.1; 180/89.1, 89.12, 900, 69.2,
180/68.1, 69.1

CPC B62D 49/00-085; B62D 25/10;
B62D 25/00; B60R 19/52; B60R 21/38;
B60K 11/08

See application file for complete search history.

FIG. 1 is a top, front perspective view of a front shoulder of a work machine embodying our new design in a work machine environment and a hood environment. FIG. 2 is a top, front perspective view of a front shoulder of a work machine in a hood environment; FIG. 3 is a front elevational view thereof; FIG. 4 is a rear elevational view thereof; FIG. 5 is a right side elevational view thereof; FIG. 6 is a left side elevational view thereof; FIG. 7 is a top plan view thereof; and, FIG. 8 is a bottom plan view thereof.

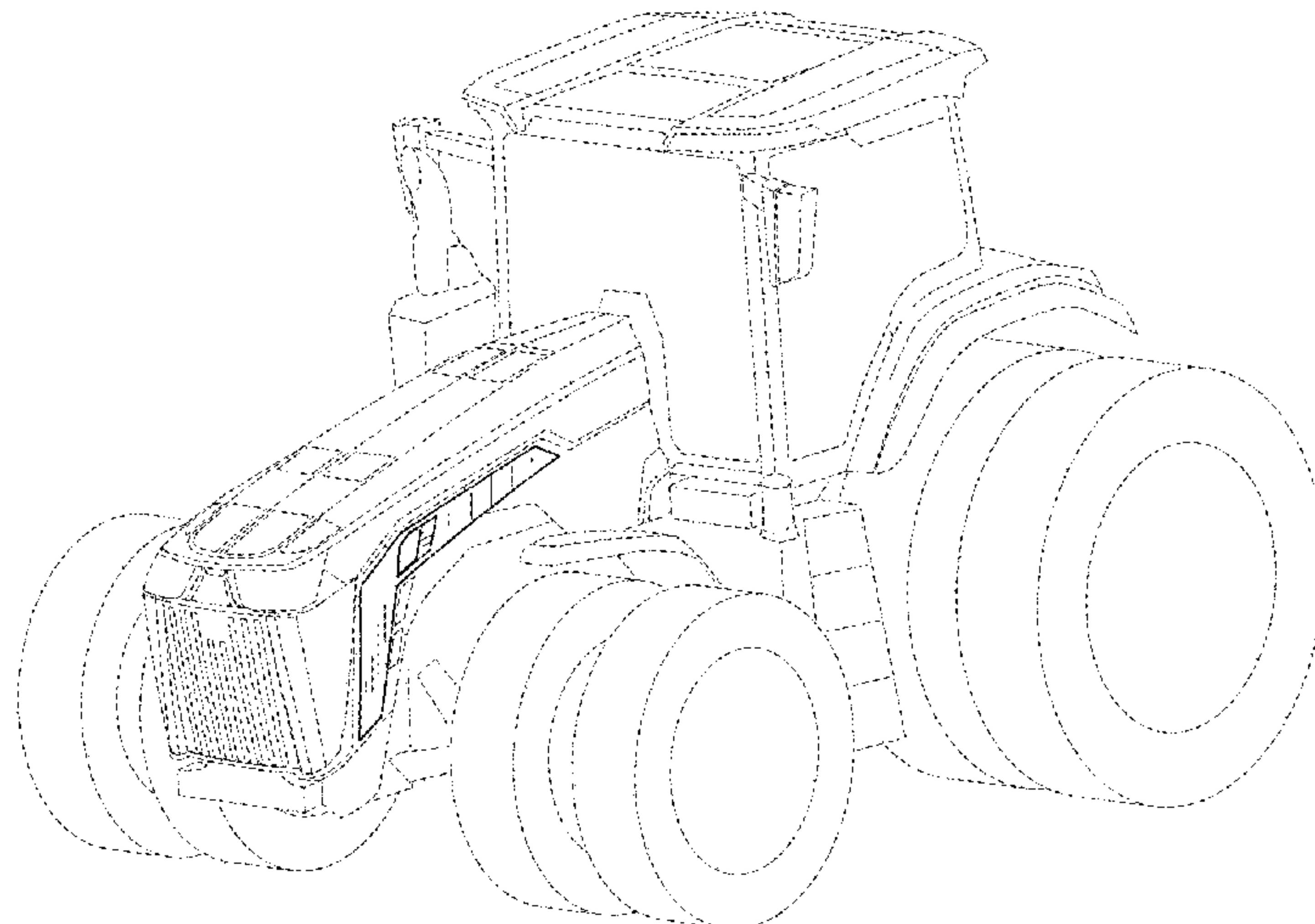
The broken line representations in the figures show unclaimed environment or boundaries, and thus form no part of the claimed design.

(56) **References Cited**

U.S. PATENT DOCUMENTS

D283,135 S 3/1986 Funabashi et al.
D304,589 S 11/1989 Lanphere et al.

1 Claim, 7 Drawing Sheets



(56)

References Cited

U.S. PATENT DOCUMENTS

D448,037 S 9/2001 Westimayer et al.
 D451,106 S 11/2001 Crookes et al.
 D458,944 S 6/2002 Crookes et al.
 D483,383 S 12/2003 Crookes et al.
 D495,344 S 8/2004 Farlow et al.
 D495,345 S 8/2004 Farlow et al.
 D512,079 S 11/2005 Farlow et al.
 D512,445 S 12/2005 Farlow et al.
 D520,527 S 5/2006 Crookes et al.
 D521,532 S * 5/2006 Higashikawa D15/31
 D533,882 S * 12/2006 Higashikawa D15/31
 D553,159 S 10/2007 Higashikawa et al.
 D553,161 S 10/2007 Matsumoto
 D554,669 S 11/2007 Crookes et al.
 D556,789 S 12/2007 Kitayama et al.
 D557,714 S 12/2007 Higashikawa
 D558,797 S 1/2008 Yamamoto et al.
 D558,799 S 1/2008 Higashikawa et al.
 D560,693 S 1/2008 Moen et al.
 D567,257 S 4/2008 Wilkens
 D570,382 S 6/2008 Higashikawa
 D574,022 S 7/2008 Higashikawa
 D581,955 S 12/2008 Matsumoto et al.
 D591,777 S * 5/2009 Kokitkar D15/31
 D596,205 S 7/2009 Kawashiri et al.
 D602,047 S 10/2009 Kushita et al.
 D602,507 S 10/2009 Kushita
 D605,668 S 12/2009 Matsumoto et al.
 D611,963 S 3/2010 Kuwae et al.
 D613,313 S 4/2010 Bhanuprakash
 D614,105 S 4/2010 Elliott et al.
 D620,503 S * 7/2010 Krogh D15/31
 D620,955 S * 8/2010 Krogh D15/31
 D628,599 S 12/2010 Major
 D629,017 S 12/2010 Major
 D631,489 S * 1/2011 Booth D15/31
 D632,312 S * 2/2011 Booth D15/31
 D636,000 S 4/2011 Kim et al.
 D641,027 S 7/2011 Kawashiri et al.
 D642,597 S 8/2011 Krogh et al.
 D643,444 S 8/2011 Colvin et al.
 D646,305 S * 10/2011 Krogh D15/31
 D655,317 S * 3/2012 Hagele D15/31
 D655,318 S * 3/2012 Hagele D15/31
 D660,874 S 5/2012 Werner et al.
 D661,323 S * 6/2012 Krogh D15/31
 D662,524 S 6/2012 Crookes et al.
 D663,752 S 7/2012 Hickman et al.
 D663,753 S 7/2012 Hickman et al.
 D665,428 S 8/2012 Hickman et al.
 D665,429 S 8/2012 Hickman et al.
 D668,695 S * 10/2012 Ringer D15/31
 D673,489 S 1/2013 Hanson et al.
 D675,233 S * 1/2013 Kushita D15/31
 D676,466 S * 2/2013 Ewringmann D15/20
 D676,786 S 2/2013 Werner et al.
 D682,323 S 5/2013 Ryan et al.
 D682,324 S 5/2013 Ryan et al.
 D697,536 S 1/2014 Nuebel
 D699,765 S 2/2014 Tentinger et al.
 D699,766 S 2/2014 Ryan et al.
 D703,699 S 4/2014 Shimomura et al.
 D704,749 S 5/2014 Shimomura et al.
 D704,750 S 5/2014 Shimomura et al.
 D706,841 S * 6/2014 Shimomura D15/31
 D707,729 S * 6/2014 Jackson D15/31
 D707,730 S * 6/2014 Jackson D15/31
 D711,930 S * 8/2014 Kuwae D15/31
 D714,838 S * 10/2014 Shimomura D15/31
 D715,332 S 10/2014 Kuwae
 D716,348 S * 10/2014 Ryan D15/31
 D716,846 S * 11/2014 Carter D15/31
 D717,838 S 11/2014 Kuwae et al.
 D720,371 S 12/2014 Furukawa et al.
 D721,105 S 1/2015 Okuyama et al.

D721,994 S 2/2015 Graber et al.
 D727,371 S 4/2015 Rhayakar et al.
 D728,631 S 5/2015 Richard et al.
 D728,640 S 5/2015 Turner et al.
 D729,281 S 5/2015 Carter et al.
 D729,282 S 5/2015 Sasaki
 D733,767 S * 7/2015 Kushita D15/31
 D748,677 S 2/2016 Kushita et al.
 D751,611 S 3/2016 Smith et al.
 D753,194 S * 4/2016 Jackson D15/31
 D753,195 S 4/2016 Jackson et al.
 D754,210 S 4/2016 Margutti et al.
 D755,256 S * 5/2016 Okuyama D15/31
 D756,421 S 5/2016 Okuyama et al.
 D757,826 S 5/2016 Hartz et al.
 D759,129 S 6/2016 Kushita et al.
 D760,815 S 7/2016 Okuyama et al.
 D765,740 S * 9/2016 Jackson D15/31
 D766,340 S * 9/2016 Jackson D15/31
 D766,341 S * 9/2016 Jacobsthal D15/31
 D768,210 S * 10/2016 Jacobsthal D15/31
 D772,309 S * 11/2016 Underhill D15/31
 D777,215 S 1/2017 Moritaka et al.
 D777,219 S * 1/2017 Hanke D15/31
 D777,220 S * 1/2017 Powell D15/31
 D778,963 S * 2/2017 Yang D15/31
 D783,059 S 4/2017 Okuyama et al.
 D785,050 S 4/2017 Okuyama et al.
 D785,051 S 4/2017 Okuyama et al.
 D785,053 S * 4/2017 Okuyama D15/31
 D785,681 S * 5/2017 Okuyama D15/31
 D786,945 S 5/2017 Smith et al.
 D789,427 S * 6/2017 Jackson D15/28
 D792,483 S * 7/2017 Jackson D15/28
 D802,871 S * 11/2017 Knie D34/35
 D804,539 S * 12/2017 Okuyama D15/31
 D837,837 S 1/2019 Park
 D843,421 S 3/2019 Gonzales et al.
 D854,056 S 7/2019 Futagami et al.

OTHER PUBLICATIONS

AGCO, Fendt 500 Vario, 2015, 1 Page.
 AGCO, Fendt 700 Series Brochure, 2012, 32 Pages.
 AGCO, Fendt 800 Series Brochure, 2015, 4 Pages.
 AGCO, Fendt 900 Series Brochure, 2014, 29 Pages.
 AGCO, Fendt X Concept Tractors, <http://www.fendt.com/us/2466.asp>, accessed May 18, 2015, 3 pages.
 Agritechnica 2017—Gold and Silver, <https://www.agritechnica.com/en/innovation-award/gold-and-silver/>, accessed Dec. 5, 2017, 18 pages.
 AGCO, Fendt 200 Vario, publicly available before May 2015, 17 pages.
 CASE Magnum 180-380 Brochure, 2014, 28 pages.
 Deere & Co., Deere 8 Series, 2015, 6 pages.
 Deutz 5 series brochure, publicly available before May 2015, 24 pages.
 Deutz-Fahr (7250 TTV Warrior), available at least as early as May 2015, 4 pages.
 Deutz-Fahr 6 Series, available at least as early as May 2015, 32 pages.
 50 HP Blue Sonalika DI 47 Rx Tractor, retrieved from Internet <<https://www.indiamart.com/proddetail/sonalika-di-47-rx-tractor-19114279955.html>> Jun. 26, 2019, 5 pages.
 Big 4, available at least as early as May 2015, 1 page.
 CASE Farmall A Series Tractors Brochure, 2011, 7 pages.
 Case Farmall C Tractors Brochure, 2013, 16 pages.
 CASE Farmall U Tractors Brochure 11-13, 2013, 12 pages.
 CASE Maxxum Series Tractors Brochure, 2012, 24 pages.
 CASE Puma Series Brochure, 2011, 28 pages.
 CASE Steiger Tractor Brochure, 2014, 32 pages.
 Cub Cadet, available at least as early as May 2015, 1 page.
 Deere flared fenders, publicly available before May 2015, 1 page.
 Deere reverse decal, publicly available before May 2015, 1 page.
 Deutz 308 Series 7, publicly available before May 2015, 28 pages.

(56)

References Cited

OTHER PUBLICATIONS

Deutz agrofarm-g brochure, publicly available before May 2015, 11 pages.

Deutz-Fahr, Deutz Agroclimber F-V—Tractors Crawlers, retrieved from internet <<http://www.deutz-fahr.com/em-US/products/tractors/722-agroclimber-f-v>> May 19, 2015, 5 pages.

Deutz-Fahr, Deutz Agrolux 310-320-410—Tractors Open Field, retrieved from internet <<http://www.deutz-fahr.com/en-US/products/tractors/864-agrolux-310-320-410>> May 19, 2015, 4 pages.

Deutz-Fahr, Deutz Agrolux 65-75—Tractors Open field, retrieved from internet <<http://www.deutz-fahr.com/en-US/products/tractors/835-agrolux-65-75>> May 19, 2015, 4 pages.

International Harvester, available at least as early as May 2015, 1 page.

John Deere Pedal Tractor Decals Tractors, retrieved from internet <<http://todayview.co/ideas/>> Jun. 26, 2019, 3 pages.

Mahindra JIVO 245, retrieved from internet <<https://tractorsinfo.com/mahindra-jivo-245-di-4wd-mini-tractor-price-list/>> Jun. 26, 2019, 9 pages.

Mahindra targets 50% share in domestic tractor market with Trakstar brand, retrieved from internet <<https://www.moneycontrol.com/news/technology/auto/mahindra-targets-50-share-in-domestic-tractor-market-with-trakstar-brand-2645381.html>> Jun. 27, 2019, 6 pages.

Mahindra Tractor JIVO 245 DI, retrieved from internet <<https://www.tractorjunction.com/product/370/mahindra-tractor-jivo-245-di>> Jun. 26, 2019, 5 pages.

Massey Ferguson, available at least as early as May 2015, 1 page.

SOLIS 75N Traktor Schlepper Kein New Holland, retrieved from internet <<https://www.mascus.com/agriculture/used-tractors/solis-75n-traktor-schlepper-kein-new-h>> Jun. 26, 2019, 3 pages.

Tractor Decals, retrieved from internet <<https://www.indiamart.com/proddetail/tractor-decals-10179545988.html>>, Jun. 29, 2019, 4 pages.

* cited by examiner

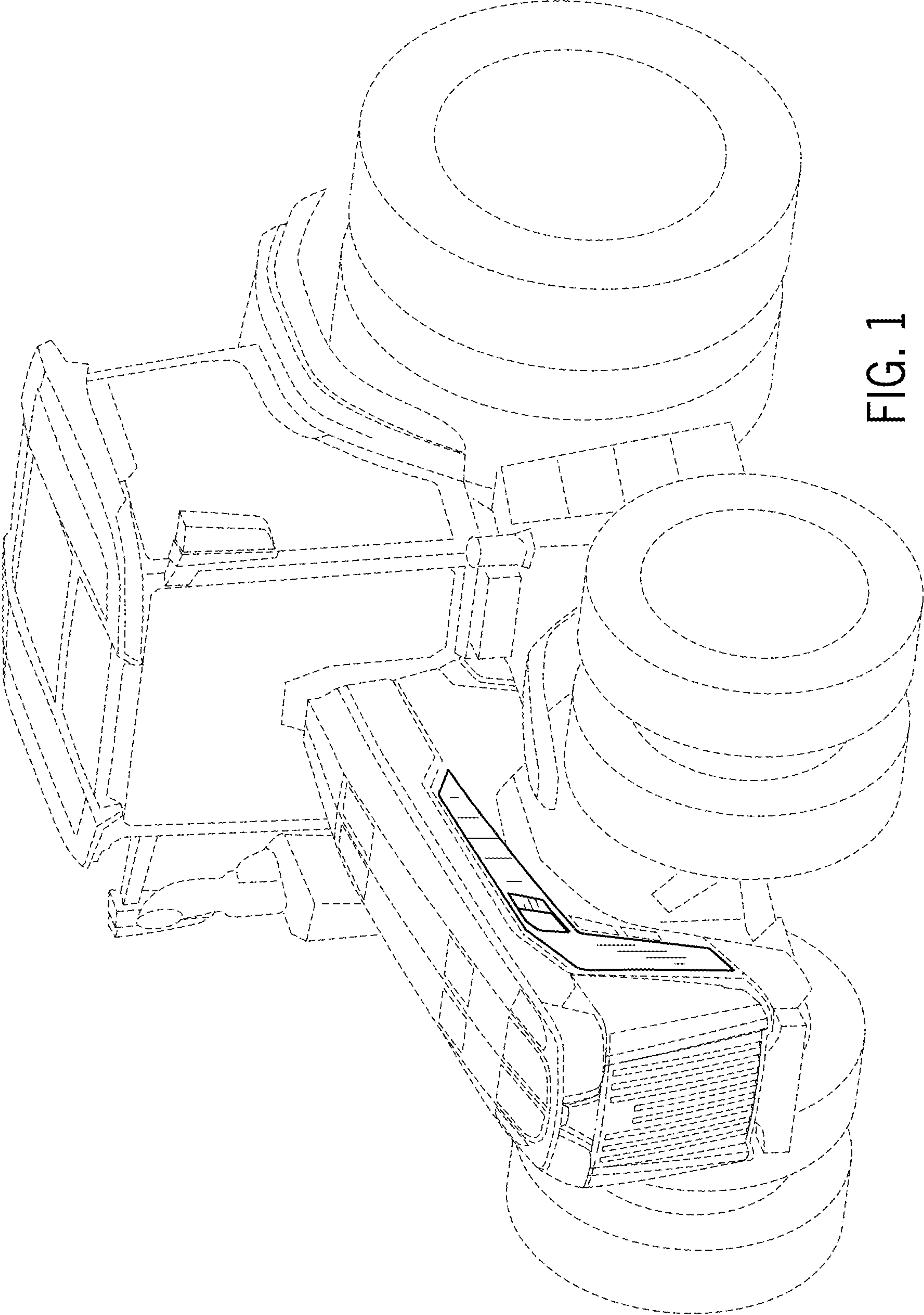


FIG. 1

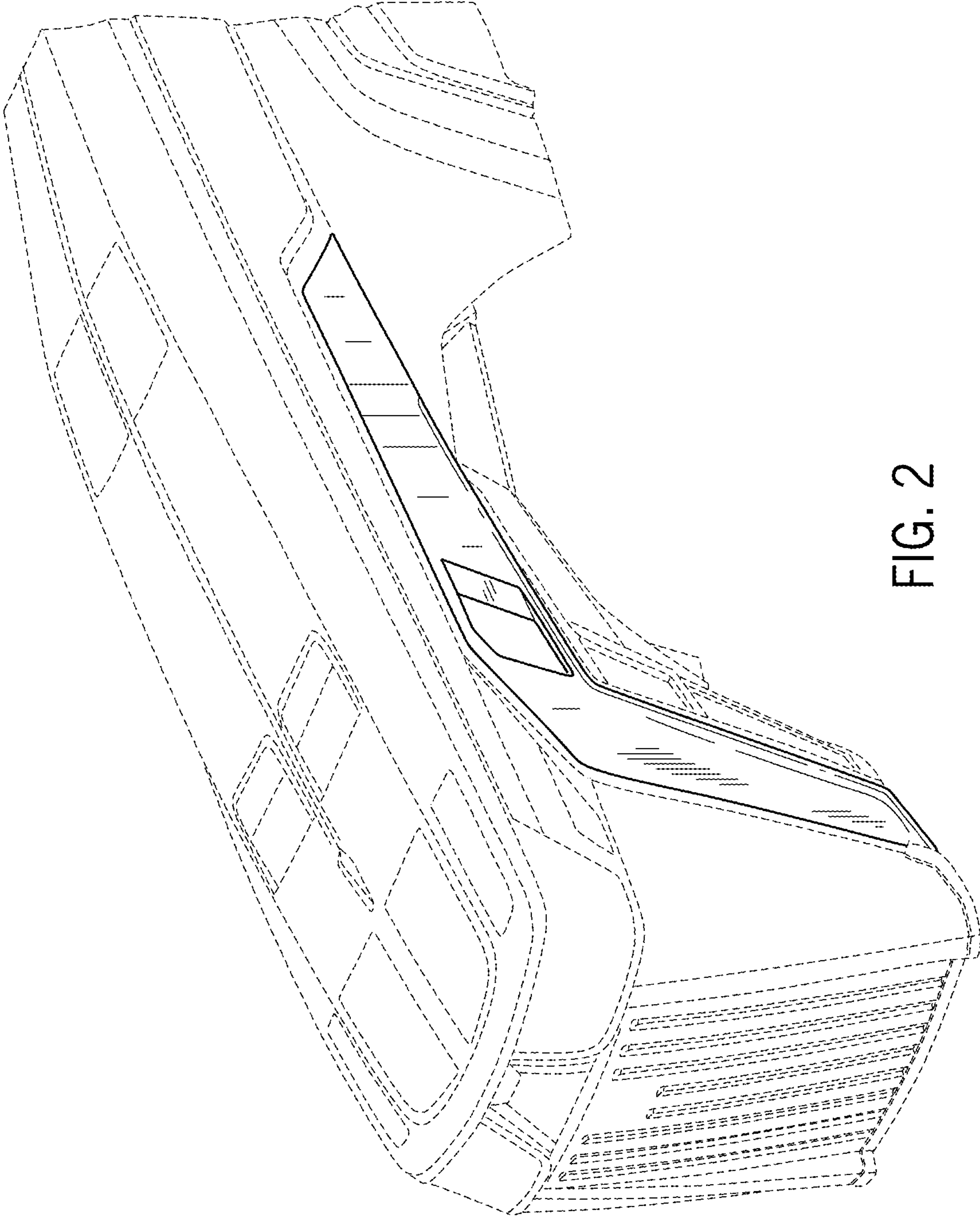


FIG. 2

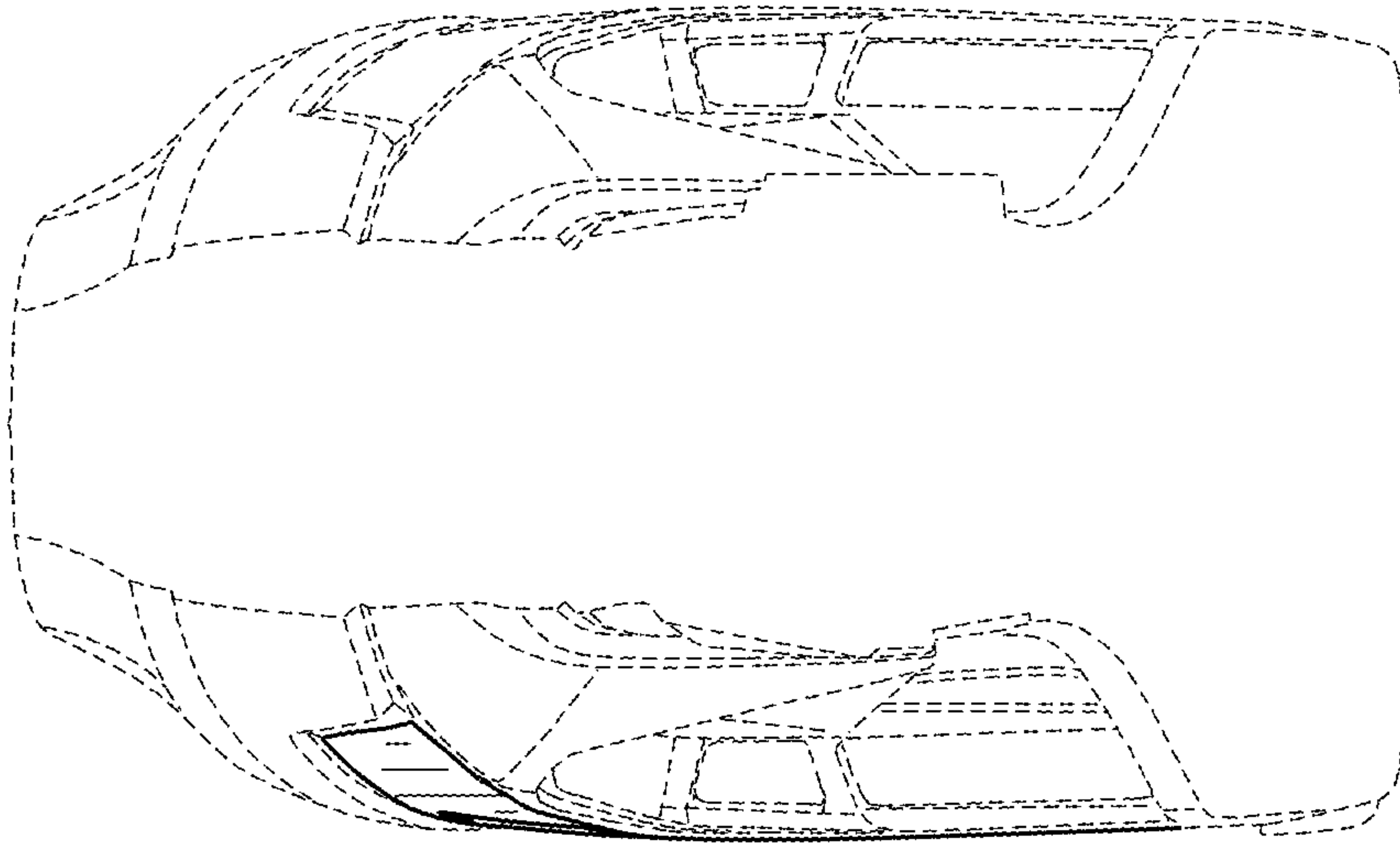


FIG. 4

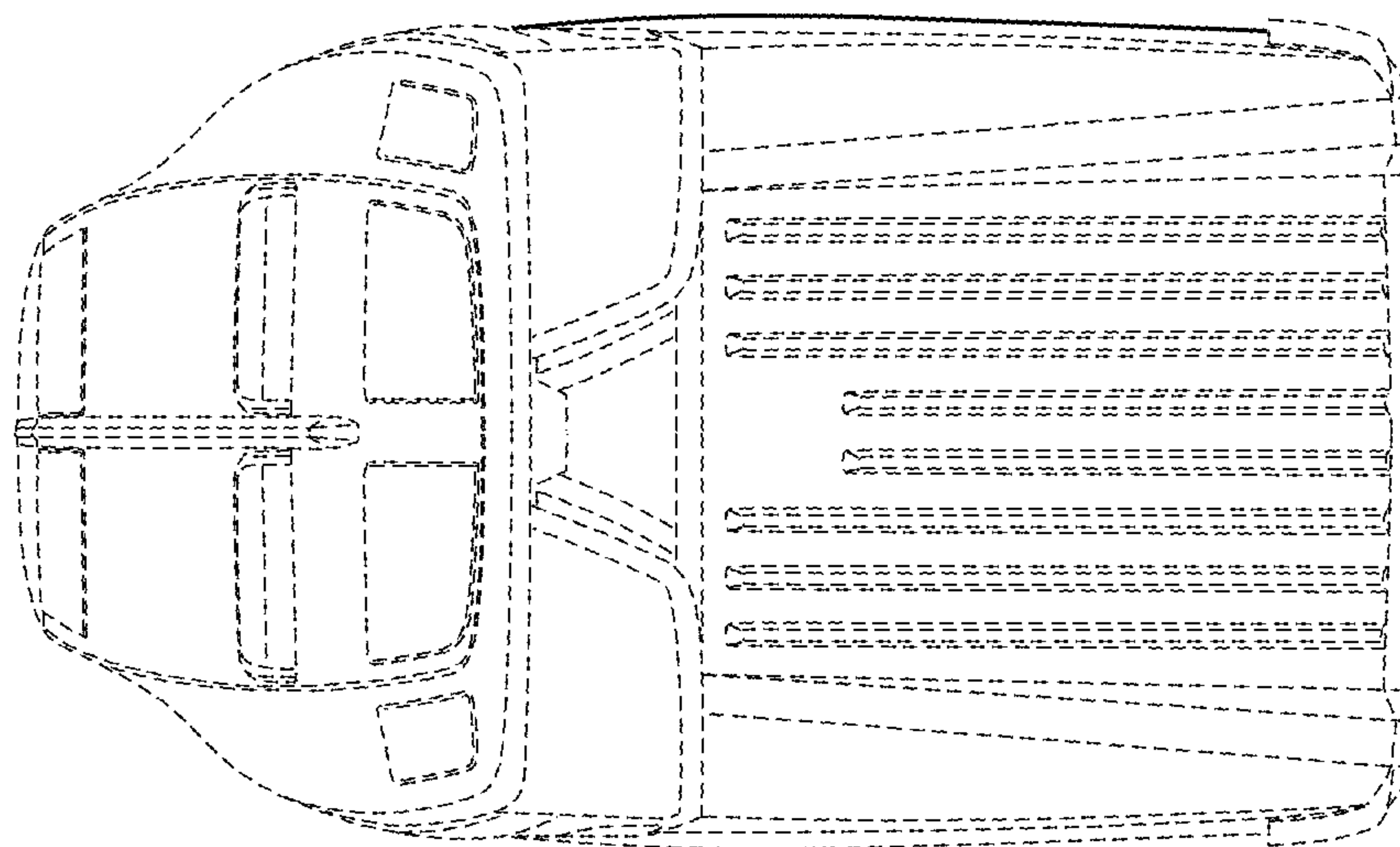


FIG. 3

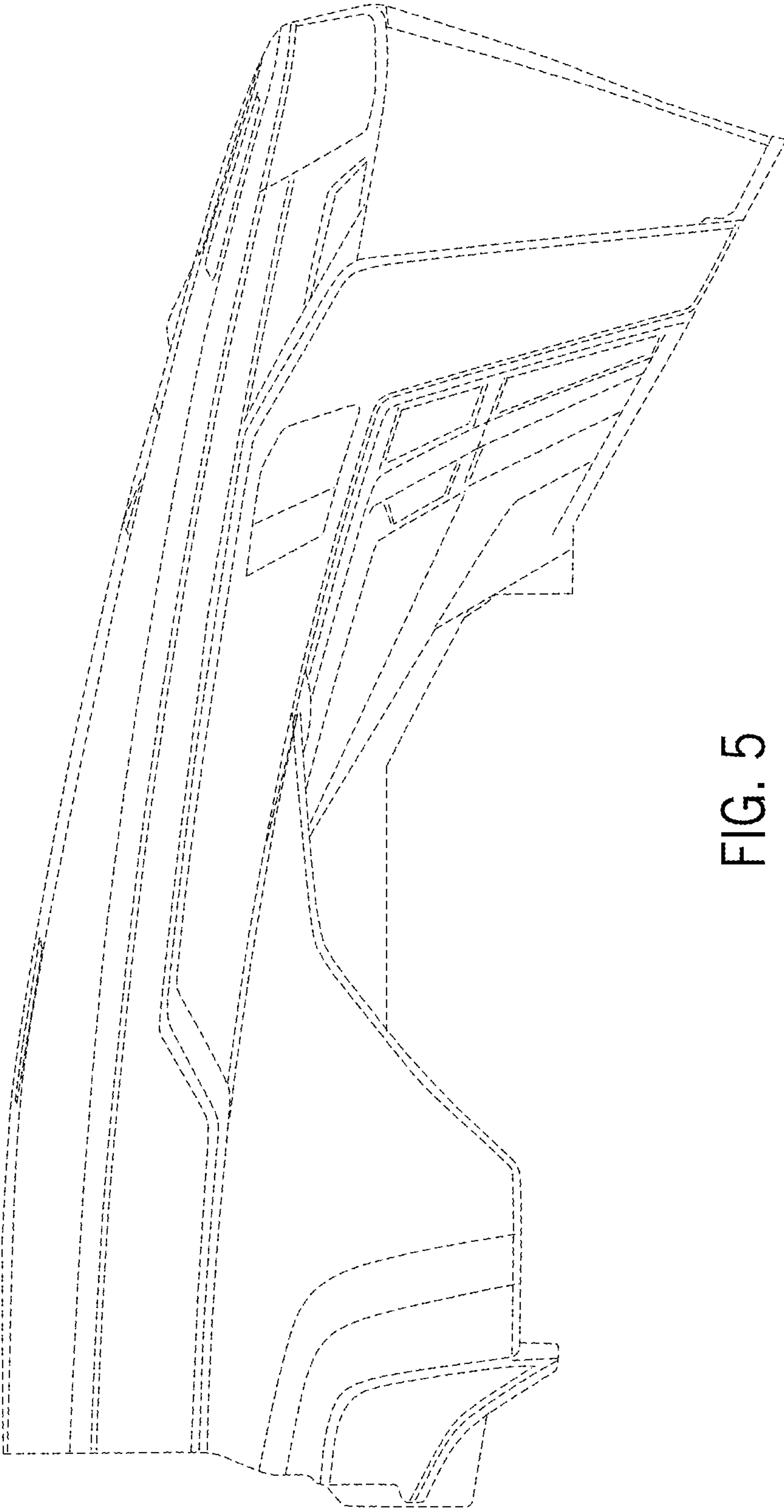


FIG. 5

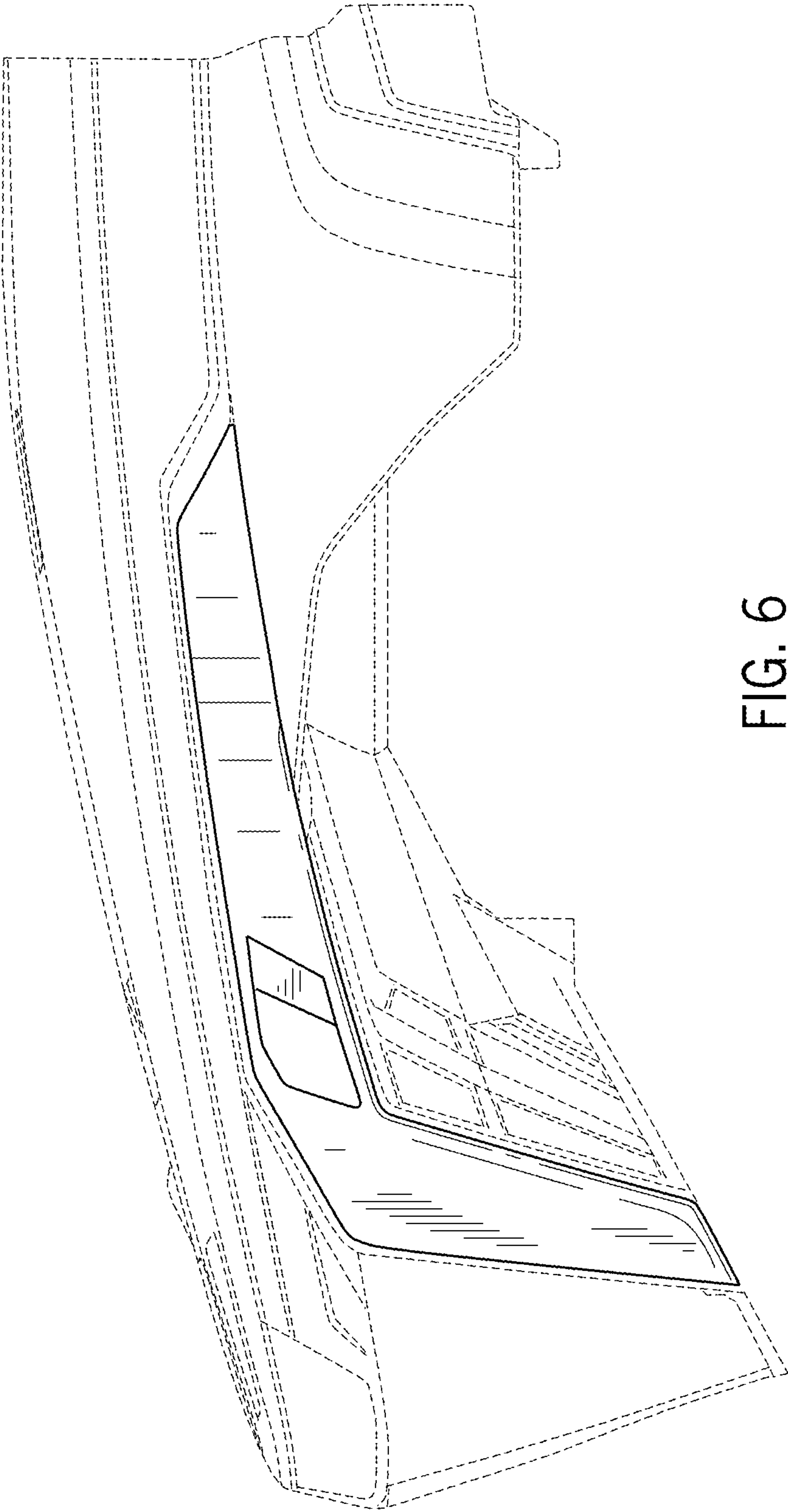


FIG. 6

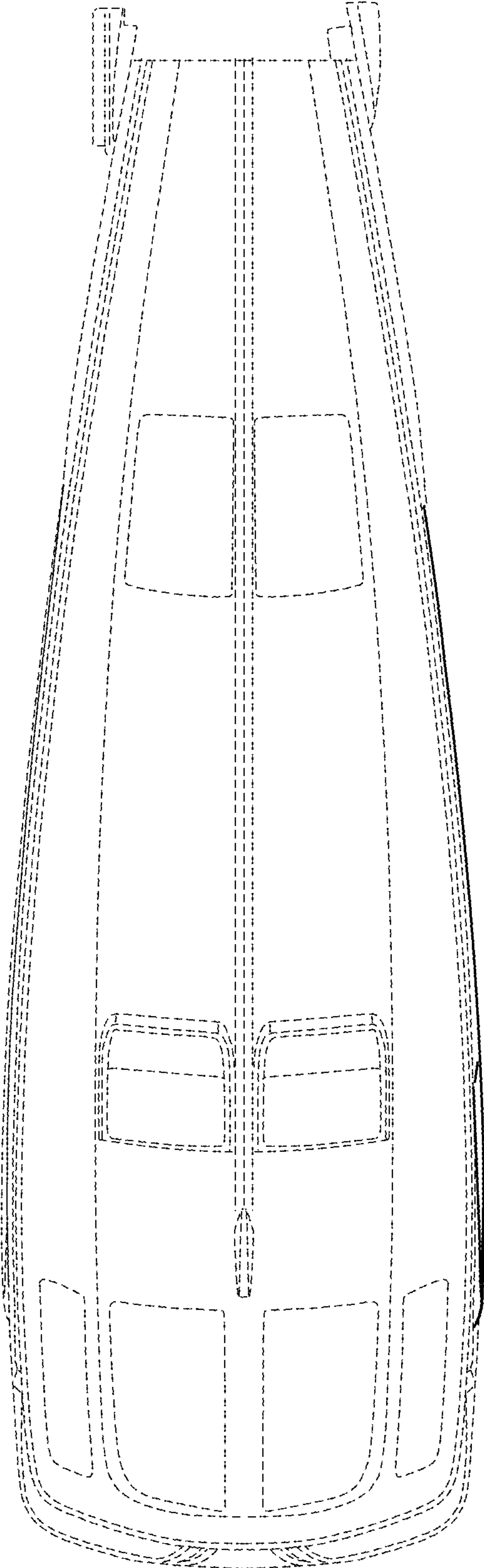


FIG. 7

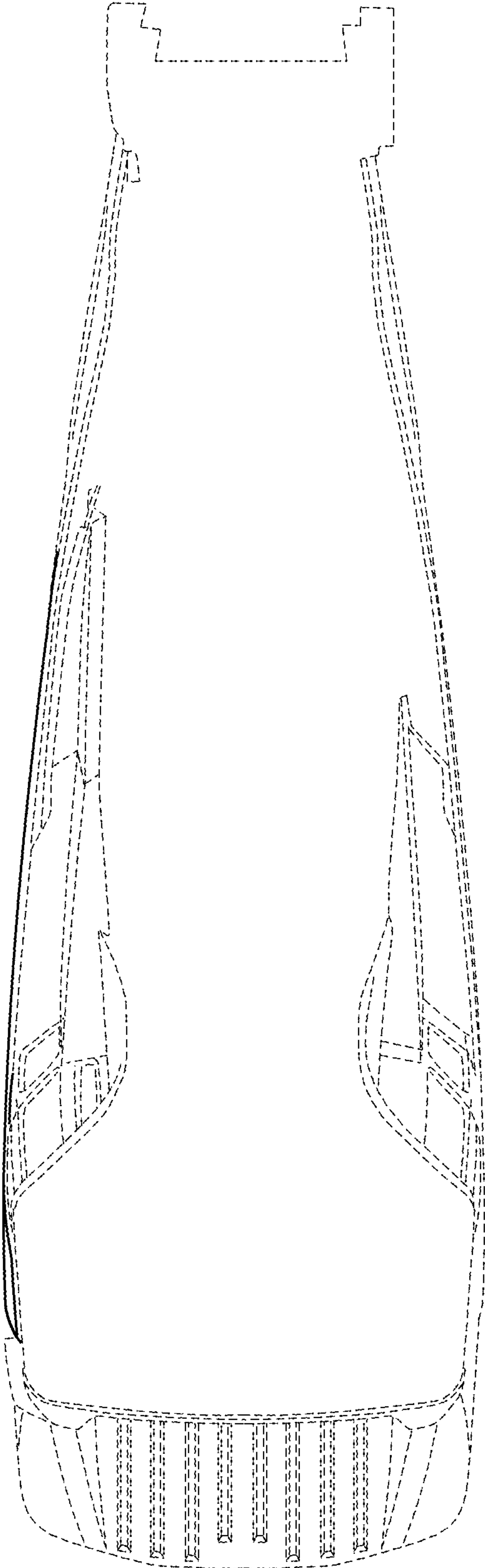


FIG. 8