



US00D928203S

(12) **United States Design Patent** (10) **Patent No.:** **US D928,203 S**  
**Huenink et al.** (45) **Date of Patent:** **\*\* Aug. 17, 2021**

(54) **PUSH-OUT GRILLE FOR A WORK MACHINE**

D311,543 S 10/1990 Hardzinski et al.  
D327,276 S 6/1992 Sorensen  
D416,266 S 11/1999 Torchio  
D419,164 S 1/2000 Heiler et al.

(71) Applicant: **DEERE & COMPANY**, Moline, IL (US)

(Continued)

(72) Inventors: **Brian Huenink**, Cedar Grove, WI (US); **Richard N. Knowles, Jr.**, Waterloo, IA (US); **Felix Nagelin**, Malibu, CA (US); **John W Krieger**, Westlake Village, CA (US); **William Clayton Martin**, Stillwater, OK (US); **Thomas C Boe**, Cedar Falls, IA (US)

FOREIGN PATENT DOCUMENTS

CN 304913471 S 11/2018  
KR 300611812 S 9/2011  
KR 300789169 S 3/2015

(73) Assignee: **DEERE & COMPANY**, Moline, IL (US)

OTHER PUBLICATIONS

Agritechnica 2017—Gold and Silver, <https://www.agritechnica.com/en/innovation-award/gold-and-silver/>, accessed Dec. 5, 2017, 18 pages.

(\*\*) Term: **15 Years**

(Continued)

(21) Appl. No.: **29/671,774**

Primary Examiner — Mark A Goodwin

(22) Filed: **Nov. 29, 2018**

(57) **CLAIM**

(30) **Foreign Application Priority Data**

The ornamental design for push out grille for a work machine, as shown and described.

May 30, 2018 (EM) ..... 005288503  
May 30, 2018 (EM) ..... 005289014

(51) **LOC (13) Cl.** ..... **15-03**

**DESCRIPTION**

(52) **U.S. Cl.**  
USPC ..... **D15/31**

(58) **Field of Classification Search**  
USPC ..... D15/10, 11, 13–17, 28, 22–26, 30, 31;  
D12/173; 56/13.3, 13.4, 15.8, 15.9,  
56/320.1; 180/89.1, 89.12, 900, 69.2,  
180/68.1, 69.1  
CPC ..... B62D 49/00–085; B62D 25/10; B62D  
25/00; B60R 19/52; B60R 21/38  
See application file for complete search history.

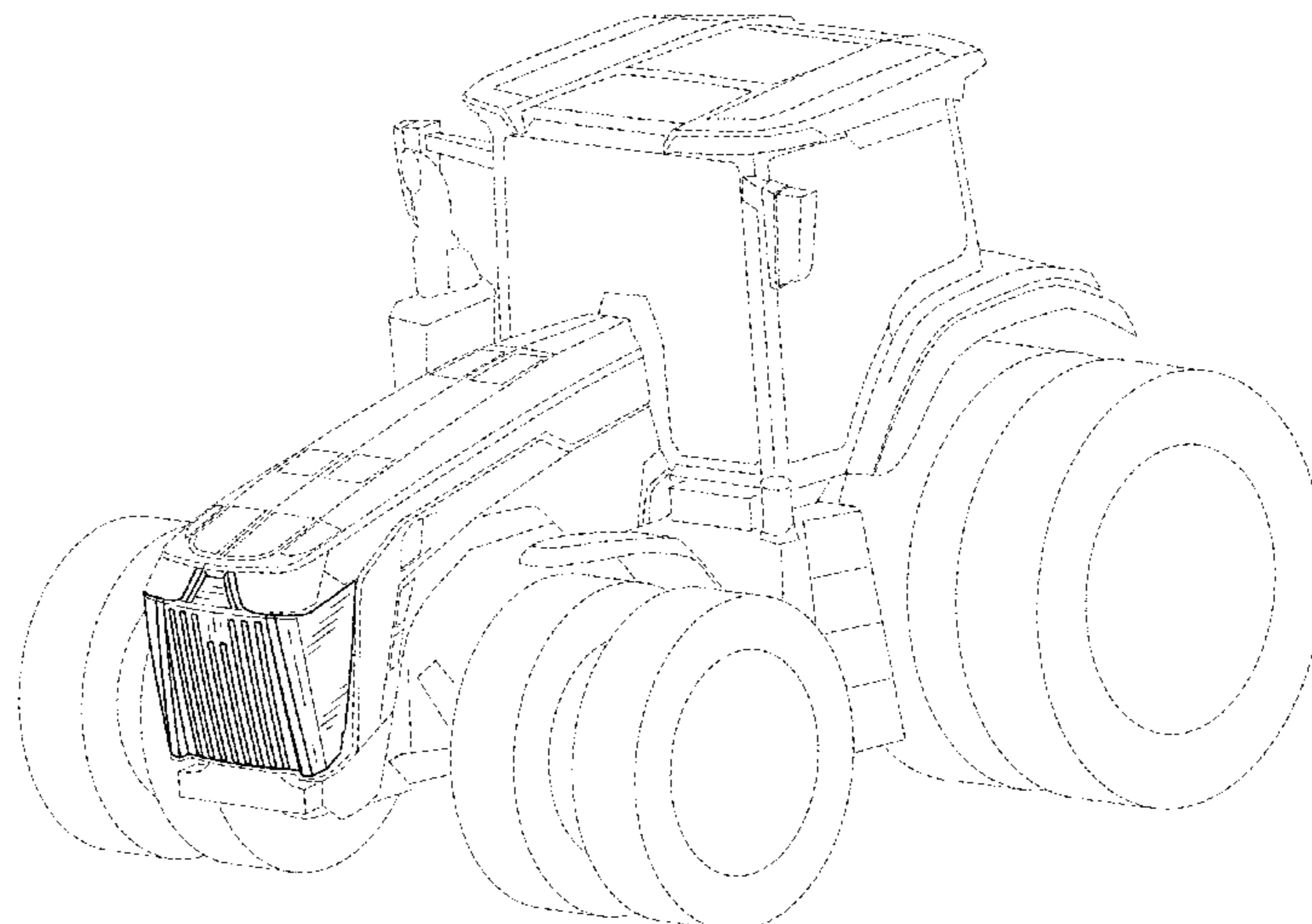
FIG. 1 is a top, front perspective view of a push out grill for a work machine embodying our new design in a work machine environment and a hood environment. FIG. 2 is a top, front perspective view of a push out grill for a work machine in a hood environment; FIG. 3 is a front elevational view thereof; FIG. 4 is a rear elevational view thereof; FIG. 5 is a right side elevational view thereof; FIG. 6 is a left side elevational view thereof; FIG. 7 is a top plan view thereof; and, FIG. 8 is a bottom plan view thereof. The broken line representations in the figures show unclaimed environment or boundaries, and thus form no part of the claimed design.

(56) **References Cited**

U.S. PATENT DOCUMENTS

D283,135 S 3/1986 Funabashi et al.  
D304,589 S 11/1989 Lanphere et al.

**1 Claim, 7 Drawing Sheets**



(56)

References Cited

U.S. PATENT DOCUMENTS

D447,153 S 8/2001 Hornung  
 D447,754 S 9/2001 Smith et al.  
 D448,037 S 9/2001 Westimayer et al.  
 D451,106 S 11/2001 Crookes et al.  
 D458,944 S 6/2002 Crookes et al.  
 D483,383 S 12/2003 Crookes et al.  
 D495,344 S 8/2004 Farlow et al.  
 D495,345 S 8/2004 Farlow et al.  
 D512,079 S 11/2005 Farlow et al.  
 D512,445 S 12/2005 Farlow et al.  
 D520,527 S 5/2006 Crookes et al.  
 D521,532 S \* 5/2006 Higashikawa ..... D15/31  
 D533,882 S \* 12/2006 Higashikawa ..... D15/31  
 D553,159 S 10/2007 Higashikawa et al.  
 D553,161 S 10/2007 Matsumoto  
 D554,669 S 11/2007 Crookes et al.  
 D556,789 S 12/2007 Kitayama et al.  
 D557,714 S 12/2007 Higashikawa  
 D558,797 S 1/2008 Yamamoto et al.  
 D558,799 S 1/2008 Higashikawa  
 D560,693 S 1/2008 Moen et al.  
 D567,257 S 4/2008 Wilkens  
 D570,382 S 6/2008 Higashikawa  
 D574,022 S 7/2008 Higashikawa  
 D581,955 S 12/2008 Matsumoto et al.  
 D591,777 S \* 5/2009 Kokitkar ..... D15/31  
 D596,205 S 7/2009 Kawashir et al.  
 D602,047 S 10/2009 Kushita et al.  
 D602,507 S 10/2009 Kushita  
 D605,668 S 12/2009 Matsumoto et al.  
 D611,963 S 3/2010 Kuwae et al.  
 D613,313 S 4/2010 Bhanuprakash  
 D620,503 S \* 7/2010 Krogh ..... D15/31  
 D620,955 S \* 8/2010 Krogh ..... D15/31  
 D628,599 S 12/2010 Major  
 D629,017 S 12/2010 Major  
 D629,818 S 12/2010 Rummer et al.  
 D631,489 S \* 1/2011 Booth ..... D15/31  
 D632,312 S \* 2/2011 Booth ..... D15/31  
 D636,000 S 4/2011 Kim et al.  
 D641,027 S 7/2011 Kawashir et al.  
 D642,597 S 8/2011 Krogh et al.  
 D643,444 S 8/2011 Colvin et al.  
 D646,305 S \* 10/2011 Krogh ..... D15/31  
 D655,317 S \* 3/2012 Hagele ..... D15/31  
 D655,318 S \* 3/2012 Hagele ..... D15/31  
 D660,874 S 5/2012 Werner et al.  
 D661,323 S \* 6/2012 Krogh ..... D15/31  
 D662,524 S 6/2012 Crookes et al.  
 D663,752 S 7/2012 Hickman et al.  
 D663,753 S 7/2012 Hickman et al.  
 D665,428 S 8/2012 Hickman et al.  
 D665,429 S 8/2012 Hickman et al.  
 D668,695 S \* 10/2012 Ringer ..... D15/31  
 D673,489 S 1/2013 Hanson et al.  
 D675,233 S \* 1/2013 Kushita ..... D15/31  
 D676,466 S \* 2/2013 Ewringmann ..... D15/20  
 D676,786 S 2/2013 Werner et al.  
 D682,323 S 5/2013 Ryan et al.  
 D697,536 S 1/2014 Nuebel  
 D699,765 S 2/2014 Tentinger et al.  
 D699,766 S 2/2014 Ryan et al.  
 D703,699 S 4/2014 Shimomura et al.  
 D704,749 S 5/2014 Shimomura et al.  
 D704,750 S 5/2014 Shimomura et al.  
 D706,841 S \* 6/2014 Shimomura ..... D15/31  
 D707,729 S \* 6/2014 Jackson ..... D15/31  
 D707,730 S \* 6/2014 Jackson ..... D15/31  
 D711,930 S \* 8/2014 Kuwae ..... D15/31  
 D714,838 S \* 10/2014 Shimomura ..... D15/31  
 D715,332 S 10/2014 Kuwae  
 D716,348 S \* 10/2014 Ryan ..... D15/31  
 D716,846 S \* 11/2014 Carter ..... D15/31  
 D717,838 S 11/2014 Kuwae et al.  
 D720,371 S 12/2014 Furukawa et al.

D721,105 S 1/2015 Okuyama et al.  
 D721,994 S 2/2015 Graber et al.  
 D727,371 S 4/2015 Rhayakar et al.  
 D728,631 S 5/2015 Richard et al.  
 D728,640 S 5/2015 Turner et al.  
 D729,281 S 5/2015 Carter et al.  
 D729,282 S 5/2015 Sasaki  
 D733,767 S \* 7/2015 Kushita ..... D15/31  
 D748,677 S 2/2016 Kushita et al.  
 D753,194 S \* 4/2016 Jackson ..... D15/31  
 D753,195 S 4/2016 Jackson et al.  
 D754,210 S 4/2016 Margutti et al.  
 D755,256 S \* 5/2016 Okuyama ..... D15/31  
 D756,421 S 5/2016 Okuyama et al.  
 D757,826 S 5/2016 Hartz et al.  
 D759,129 S 6/2016 Kushita et al.  
 D760,815 S 7/2016 Okuyama et al.  
 D765,740 S \* 9/2016 Jackson ..... D15/31  
 D766,340 S \* 9/2016 Jackson ..... D15/31  
 D766,341 S \* 9/2016 Jacobsthal ..... D15/31  
 D768,210 S \* 10/2016 Jacobsthal ..... D15/31  
 D772,309 S \* 11/2016 Underhill ..... D15/31  
 D777,215 S 1/2017 Moritaka et al.  
 D777,219 S \* 1/2017 Hanke ..... D15/31  
 D777,220 S \* 1/2017 Powell ..... D15/31  
 D778,963 S \* 2/2017 Yang ..... D15/31  
 D783,059 S 4/2017 Okuyama et al.  
 D785,050 S 4/2017 Okuyama et al.  
 D785,051 S 4/2017 Okuyama et al.  
 D785,053 S \* 4/2017 Okuyama ..... D15/31  
 D785,681 S \* 5/2017 Okuyama ..... D15/31  
 D789,427 S \* 6/2017 Jackson ..... D15/28  
 D792,483 S \* 7/2017 Jackson ..... D15/28  
 D802,871 S \* 11/2017 Knie ..... D34/35  
 D804,539 S \* 12/2017 Okuyama ..... D15/31  
 D837,837 S 1/2019 Park  
 D843,421 S 3/2019 Gonzales et al.  
 D854,056 S 7/2019 Futagami et al.

OTHER PUBLICATIONS

Fendt 900 Vario Series Brochure, 2014, 29 Pages.  
 Deutz Fahr 6 Series Brochure, available at least as early as May 2015, 32 Pages.  
 Sase Magnum 180-380 Tractors Brochure, 2014, 28 Pages.  
 AGCO, Fendt 200 Vario, publicly available before May 2015, 17 pages.  
 AGCO, Fendt 300Vario, publicly available before May 2015, 23 pages.  
 AGCO, Fendt 500Vario, publicly available before May 2015, 25 pages.  
 AGCO, Fendt 700 series brochure, 2012, 32 pages.  
 AGCO, Fendt 800 Vario, 2014, 4 pages.  
 AGCO, Fendt X Concept Tractors, retrieved from <<http://www.fendt.com/US/2466.asp>> May 18, 2015, 3 pages.  
 Deere & Co., Deere 8 Series, 2015, 6 pages.  
 Deutz 5 series brochure, publicly available before May 2015, 24 pages.  
 Deutz-Fahr (7250 TTV Warrior), available at least as early as May 2015, 4 pages.  
 50 HP Blue Sonalika DI 47 Rx Tractor, retrieved from Internet <<https://www.indiamart.com/proddetail/sonalika-di-47-rx-tractor-19114279955.html>> Jun. 26, 2019, 5 pages.  
 Big 4, available at least as early as May 2015, 1 page.  
 CASE Farmall A Series Tractors Brochure, 2011, 7 pages.  
 CASE Farmall C Tractors Brochure, 2013, 16 pages.  
 CASE Farmall U Tractors Brochure 11-13, 2013, 12 pages.  
 CASE Maxxum Series Tractors Brochure, 2012, 24 pages.  
 CASE Puma Series Brochure, 2011, 28 pages.  
 CASE Steiger Tractor Brochure, 2014, 32 pages.  
 Cub Cadet, available at least as early as May 2015, 1 page.  
 Deere flared fenders, publicly available before May 2015, 1 page.  
 Deere reverse decal, publicly available before May 2015, 1 page.  
 Deutz 308 Series 7, publicly available before May 2015, 28 pages.

(56)

**References Cited**

## OTHER PUBLICATIONS

Deutz agrofarm-g brochure, publicly available before May 2015, 11 pages.

Deutz-Fahr, Deutz Agroclimber F-V-Tractors Crawlers, retrieved from internet <<http://www.deutz-fahr.com/en-US/products/tractors/722-agroclimber-f-v>> May 19, 2015, 5 pages.

Deutz-Fahr, Deutz Agrolux 310-320-410-Tractors Open field, retrieved from internet <<http://www.deutz-fahr.com/en-US/products/tractors/864-agrolux-310-320-410>> May 19, 2015, 4 pages.

Deutz-Fahr, Deutz Agrolux 65-75-Tractors Open field, retrieved from internet <<http://www.deutz-fahr.com/en-US/products/tractors/835-agrolux-65-75>> May 19, 2015, 4 pages.

International Harvester, available at least as early as May 2015, 1 page.

John Deere Pedal Tractor Decals Tractors, retrieved from internet <<http://todayview.co/ideas/>> Jun. 26, 2019, 3 pages.

Mahindra JIVO 245, retrieved from internet <<https://tractorsinfo.com/mahindra-jivo-245-di-4wd-mini-tractor-price-list/>> Jun. 26, 2019, 9 pages.

Mahindra targets 50% share in domestic tractor market with Trakstar brand, retrieved from internet <<https://www.moneycontrol.com/news/technology/auto/mahindra-targets-50-share-in-domestic-tractor-market-with-trakstar-brand-2645381.html>> Jun. 27, 2019, 6 pages.

Mahindra Tractor JIVO 245 DI, retrieved from internet <<https://www.tractorjunction.com/product/370/mahindra-tractor-jivo-245-di>> Jun. 26, 2019, 5 pages.

Massey Ferguson, available at least as early as May 2015, 1 page.

Sous 75N Traktor Schlepper Kein New Holland, retrieved from internet <<https://www.mascus.com/agriculture/used-tractors/solis-75n-traktor-schlepper-kein-new-h>> Jun. 26, 2019, 3 pages.

Tractor Decals, retrieved from internet <<https://www.indiamart.com/proddetail/tractor-decals-10179545988.html>>, Jun. 29, 2019, 4 pages.

\* cited by examiner

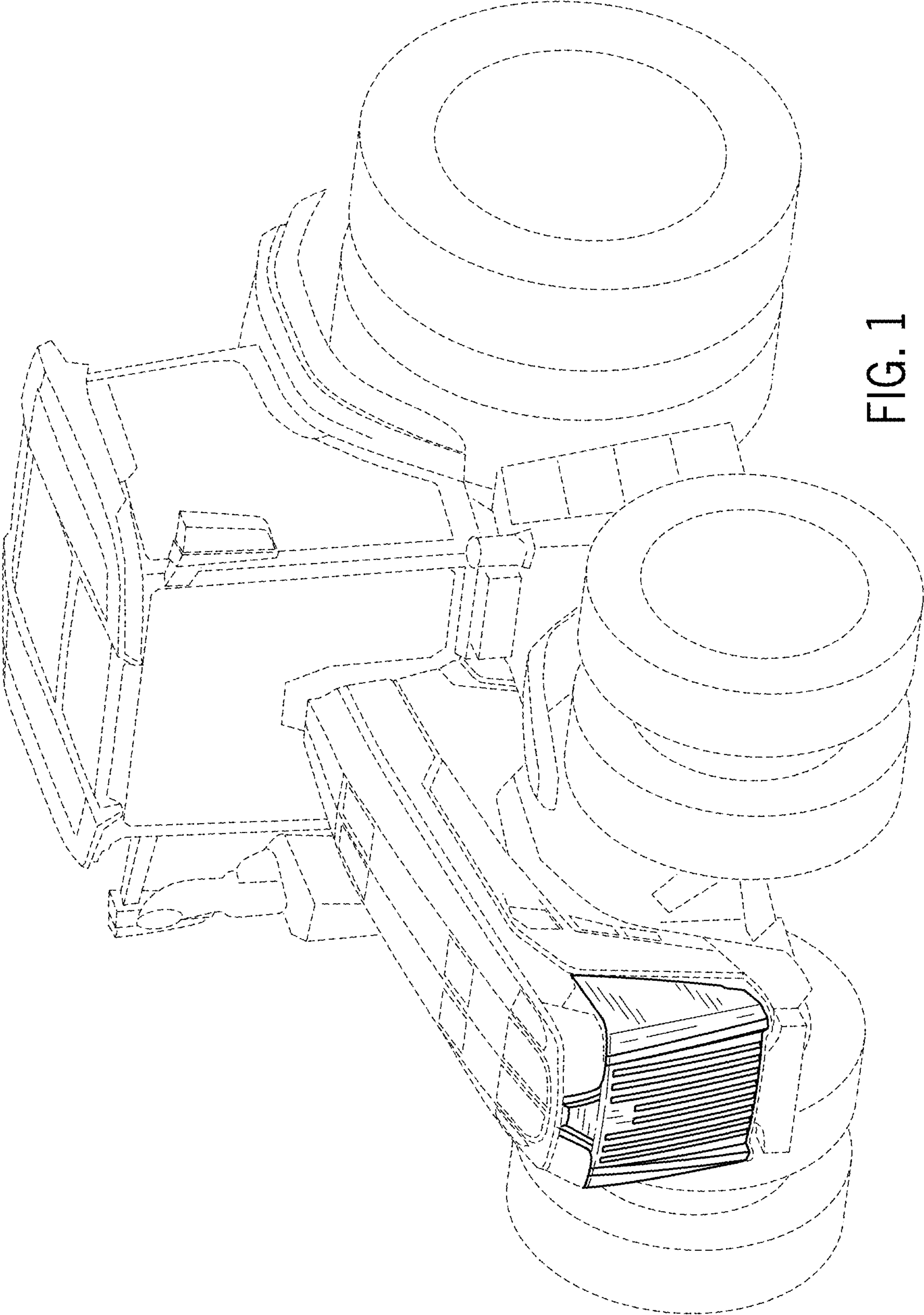


FIG. 1

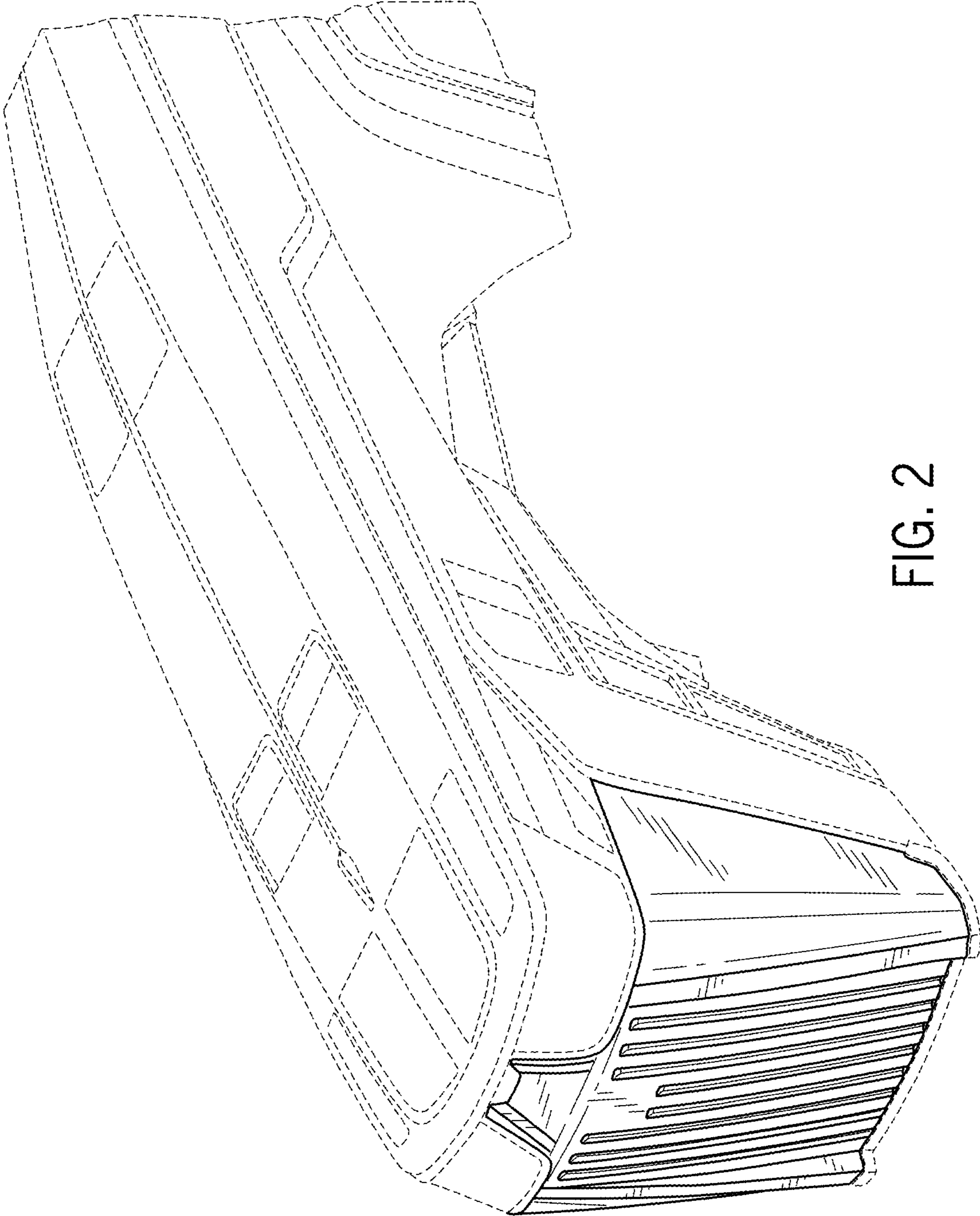


FIG. 2

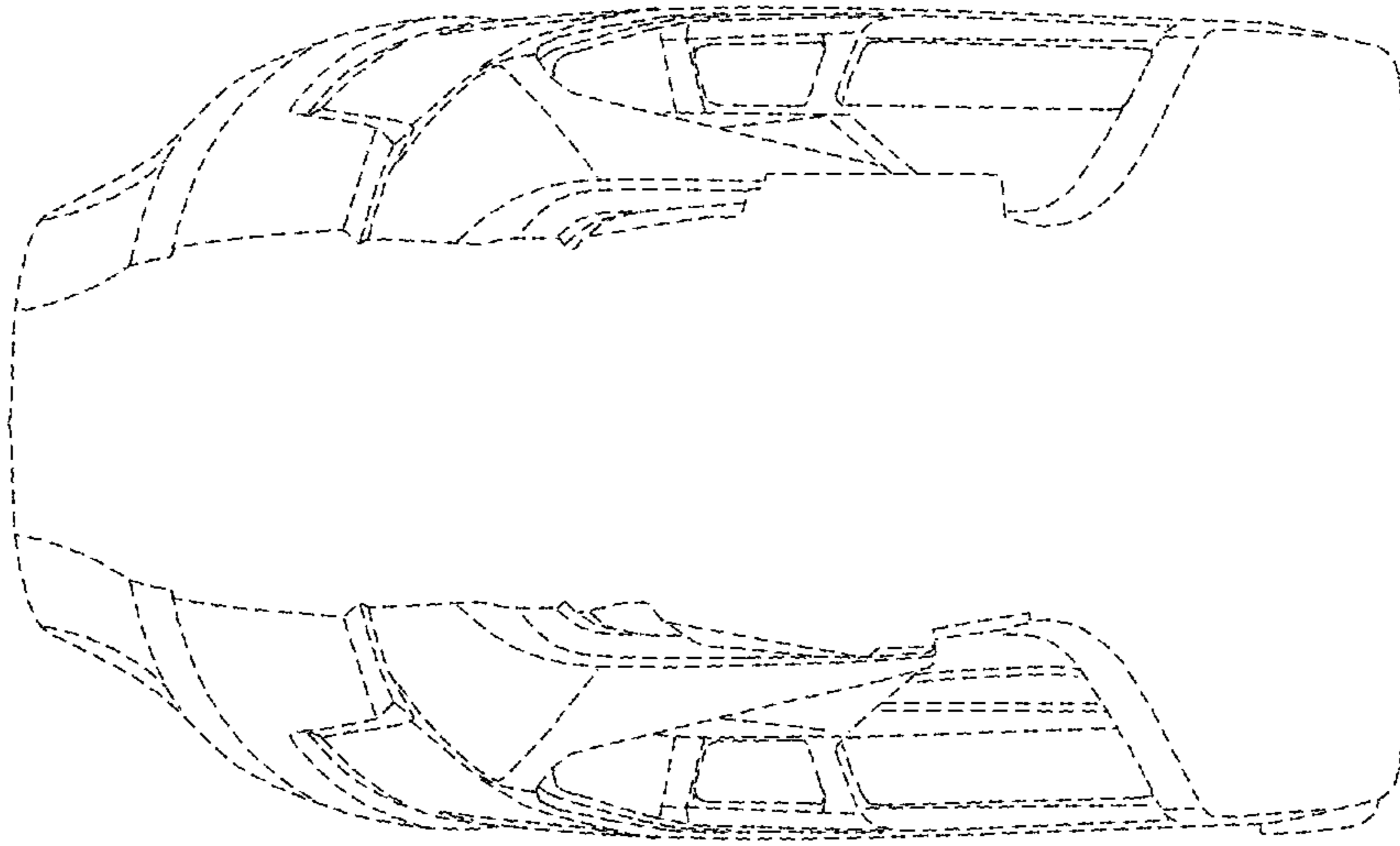


FIG. 4

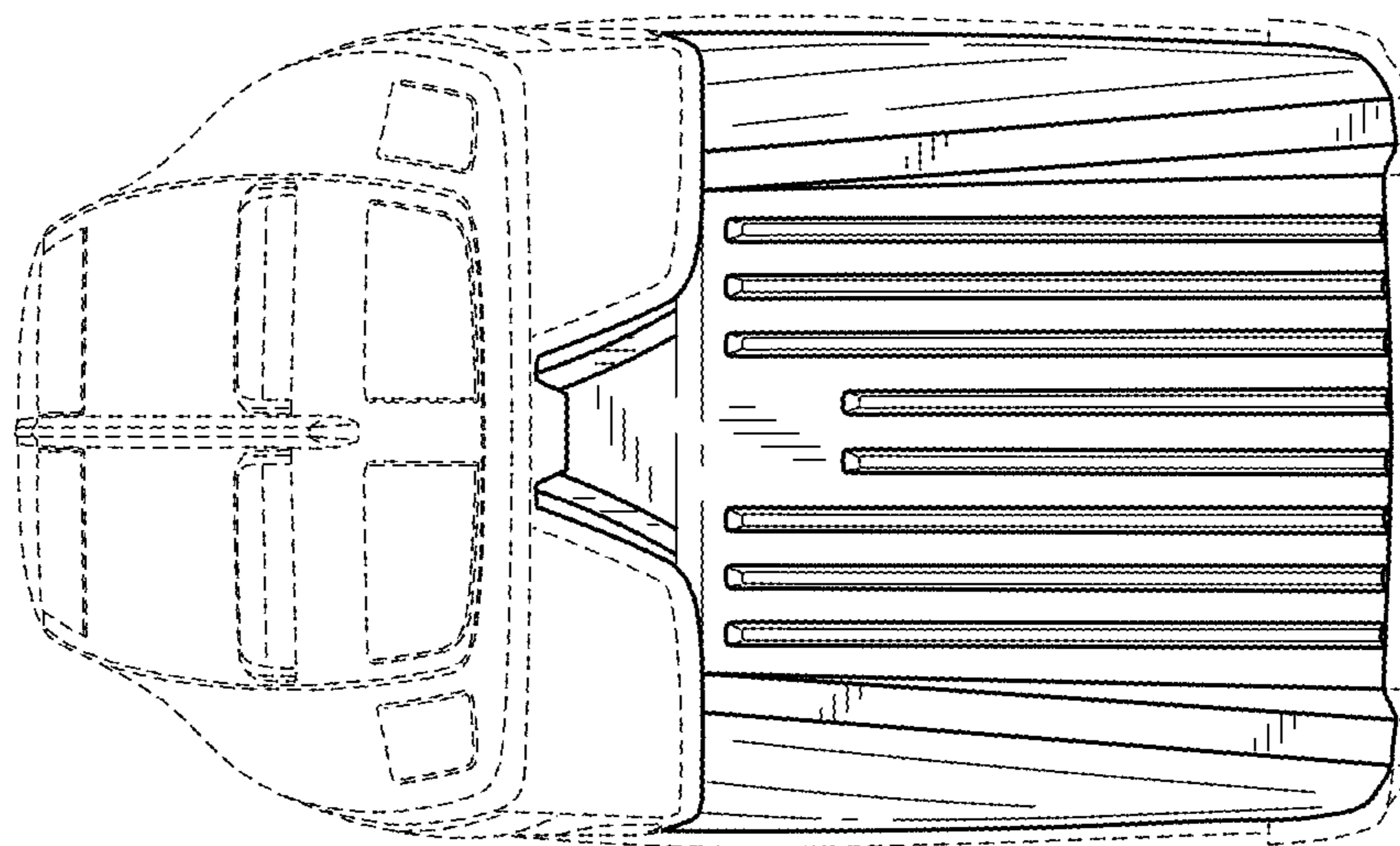


FIG. 3

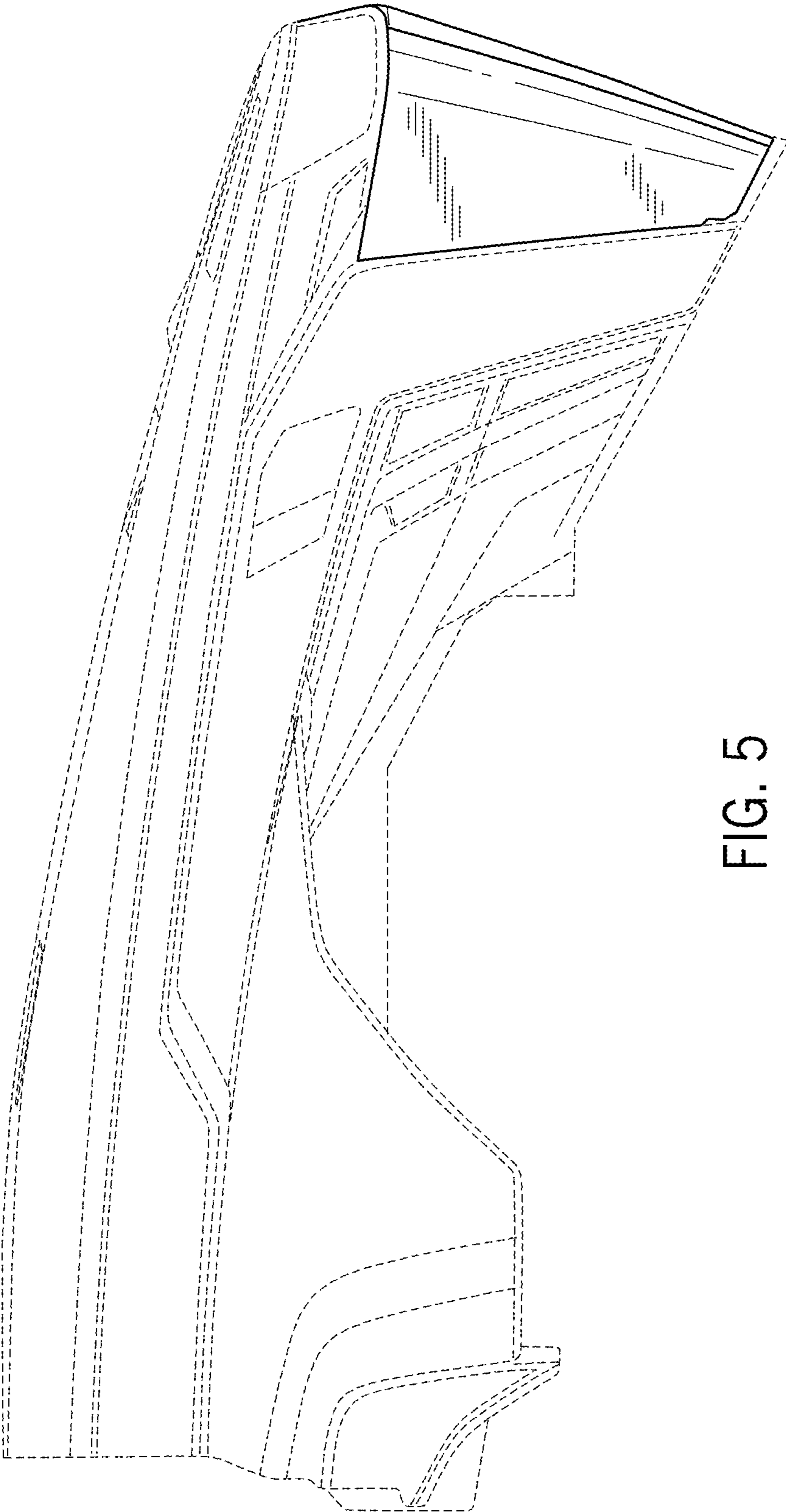


FIG. 5

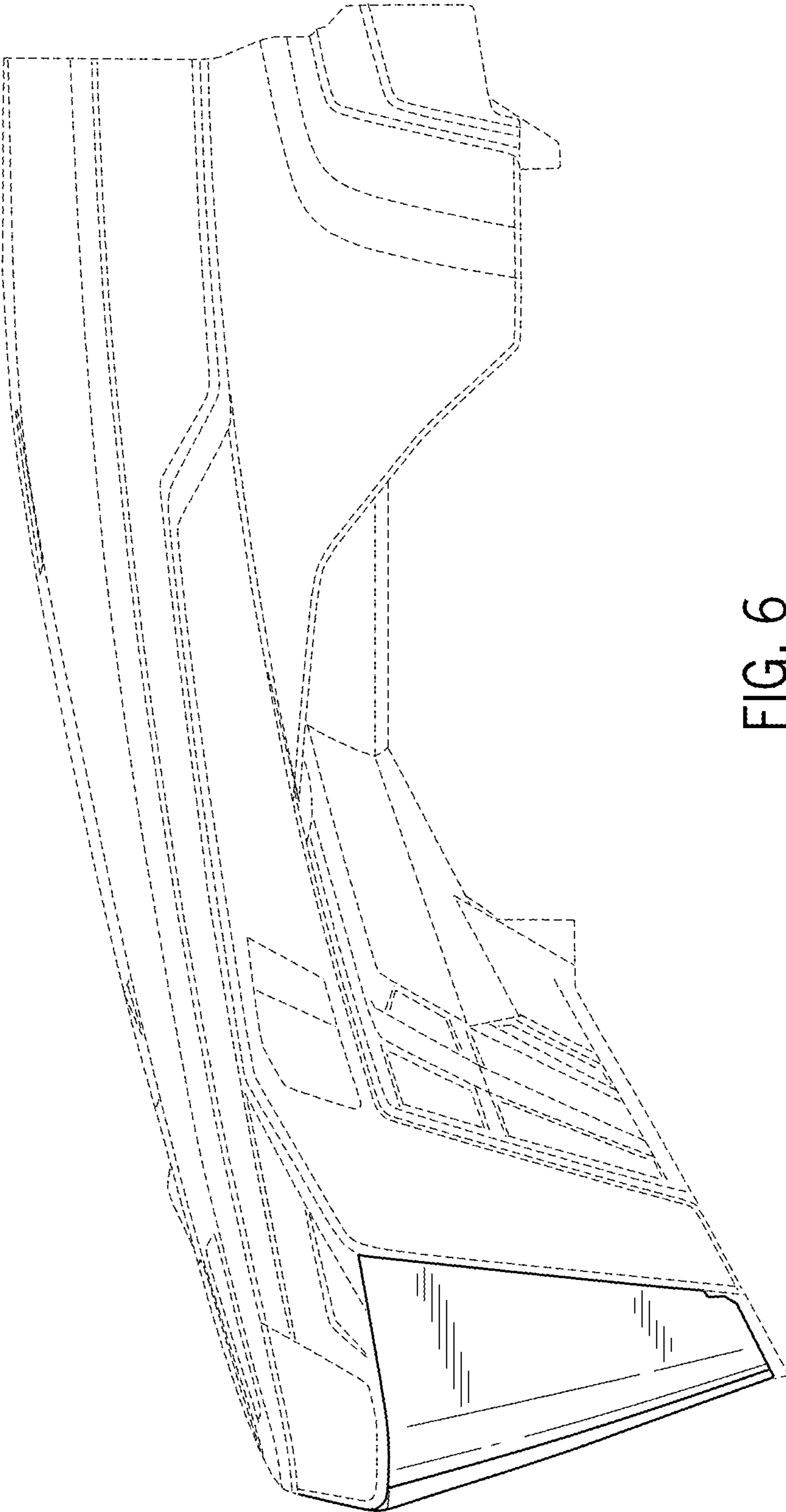


FIG. 6



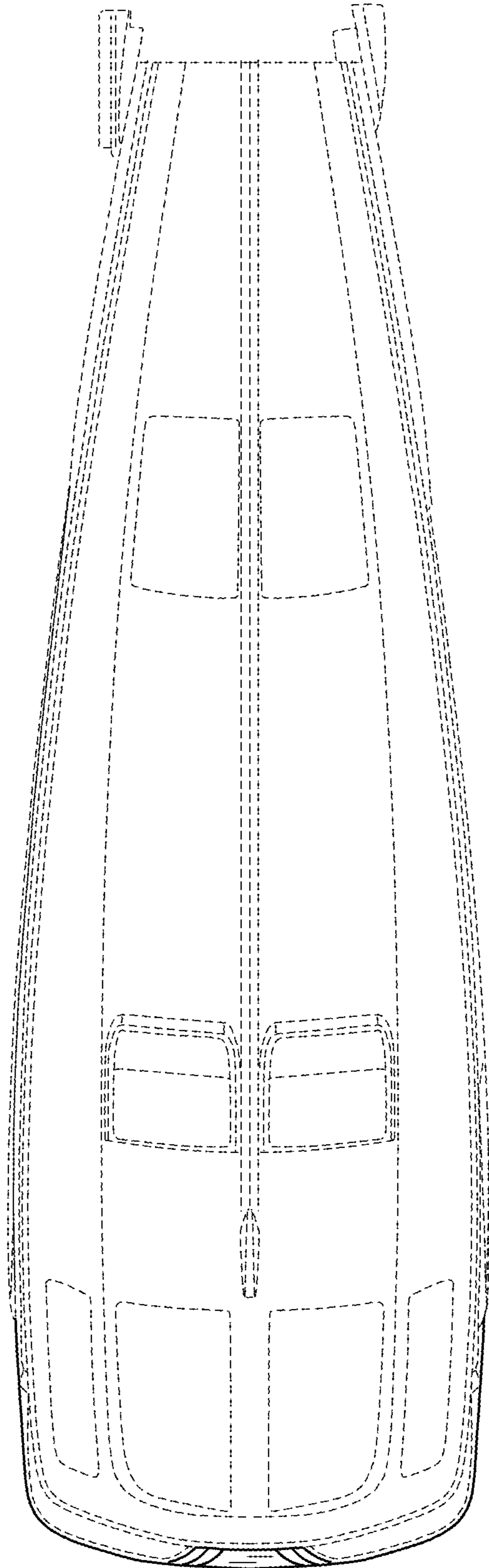


FIG. 7

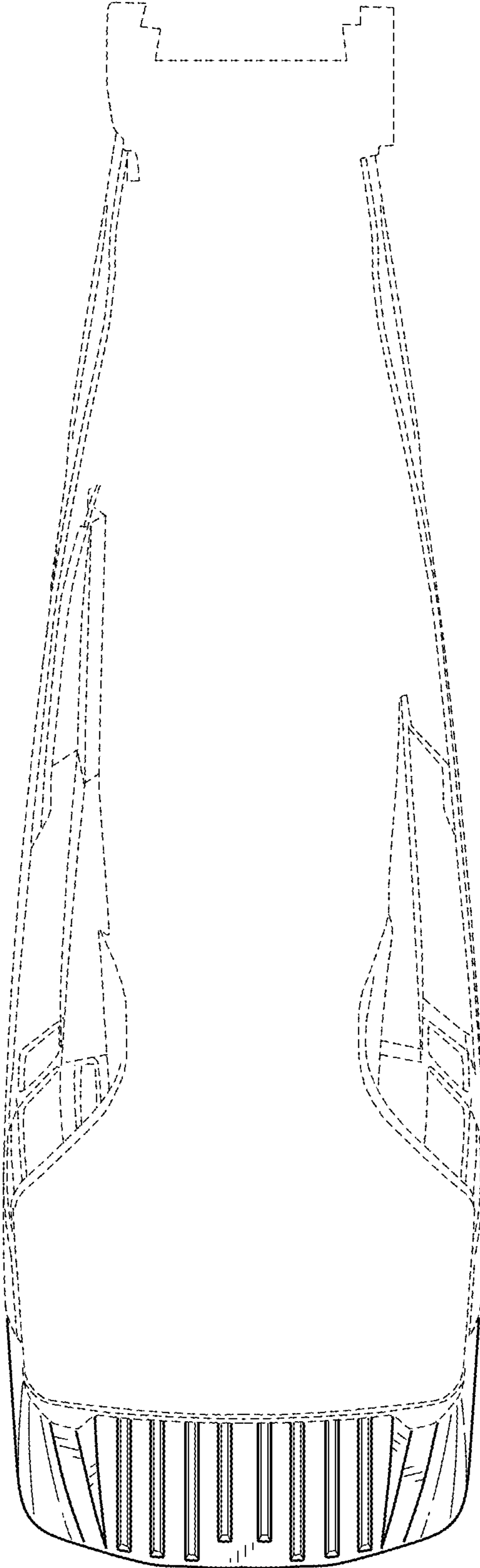


FIG. 8