



US00D928202S

(12) **United States Design Patent**  
**Li et al.**

(10) **Patent No.:** **US D928,202 S**  
(45) **Date of Patent:** **\*\* Aug. 17, 2021**

(54) **ROBOTIC MOWER**

(71) Applicant: **Globe (Jiangsu) Co., Ltd**, Jiangsu (CN)

(72) Inventors: **Sheng Li**, Jiangsu (CN); **Johan Örtlund**, Jiangsu (CN); **Jens Näslund**, Jiangsu (CN); **Andreas Carlsson**, Jiangsu (CN)

(73) Assignee: **Globe (Jiangsu) Co., Ltd**, Changzhou (CN)

(\*\*) Term: **15 Years**

(21) Appl. No.: **29/735,107**

(22) Filed: **May 18, 2020**

(30) **Foreign Application Priority Data**

Dec. 6, 2019 (CN) ..... 201930680824.1

(51) **LOC (13) Cl.** ..... **15-03**

(52) **U.S. Cl.**  
USPC ..... **D15/14; D15/17**

(58) **Field of Classification Search**

USPC ..... D15/14, 17, 18; 56/11.9, 17.5, 13.4, 56/12.8, 16.7, 202, 255, 294, 295, 320.1, 56/320.2; 180/900, 89.1, 89.12

CPC .... A01D 34/008; A01D 34/81; A01D 34/416; A01D 34/4166; A01D 34/4167; A01D 34/87; A01D 34/90; B60L 1/003; B60L 3/0061; B60L 11/1803; B60L 11/1805; B60L 11/1877; B60L 15/20; B60L 2260/28; B60L 2200/40; B60L 2220/16; B60L 2220/46; B60L 2240/36; B60L 2240/421; A01G 3/04; A01G 3/0435

See application file for complete search history.

(56) **References Cited**

**U.S. PATENT DOCUMENTS**

D678,352 S \* 3/2013 Maeda ..... D15/17  
D679,294 S \* 4/2013 Tajik ..... D15/17

D679,295 S \* 4/2013 Tajik ..... D15/17  
D681,065 S \* 4/2013 Maeda ..... D15/17  
D688,276 S \* 8/2013 Naslund ..... D15/14  
D718,340 S \* 11/2014 Damshak ..... D15/14  
D718,341 S \* 11/2014 Gur ..... D15/14  
D718,793 S \* 12/2014 Gur ..... D15/14  
D745,897 S \* 12/2015 Mehra ..... D15/17  
D758,455 S \* 6/2016 Maibach ..... D15/14  
D760,806 S \* 7/2016 Cmich ..... D15/14  
D776,169 S \* 1/2017 Cmich ..... D15/14  
D781,349 S \* 3/2017 Cmich ..... D15/14  
D781,926 S \* 3/2017 Al-Hashimi ..... D15/14  
D796,555 S \* 9/2017 Landberg ..... D15/14  
D799,555 S \* 10/2017 Cmich ..... D15/14  
D848,488 S \* 5/2019 Cmich ..... D15/14  
D852,232 S \* 6/2019 Eidson ..... D15/14  
D880,532 S \* 4/2020 Gunnarsson ..... D15/14

(Continued)

*Primary Examiner* — Mark A Goodwin

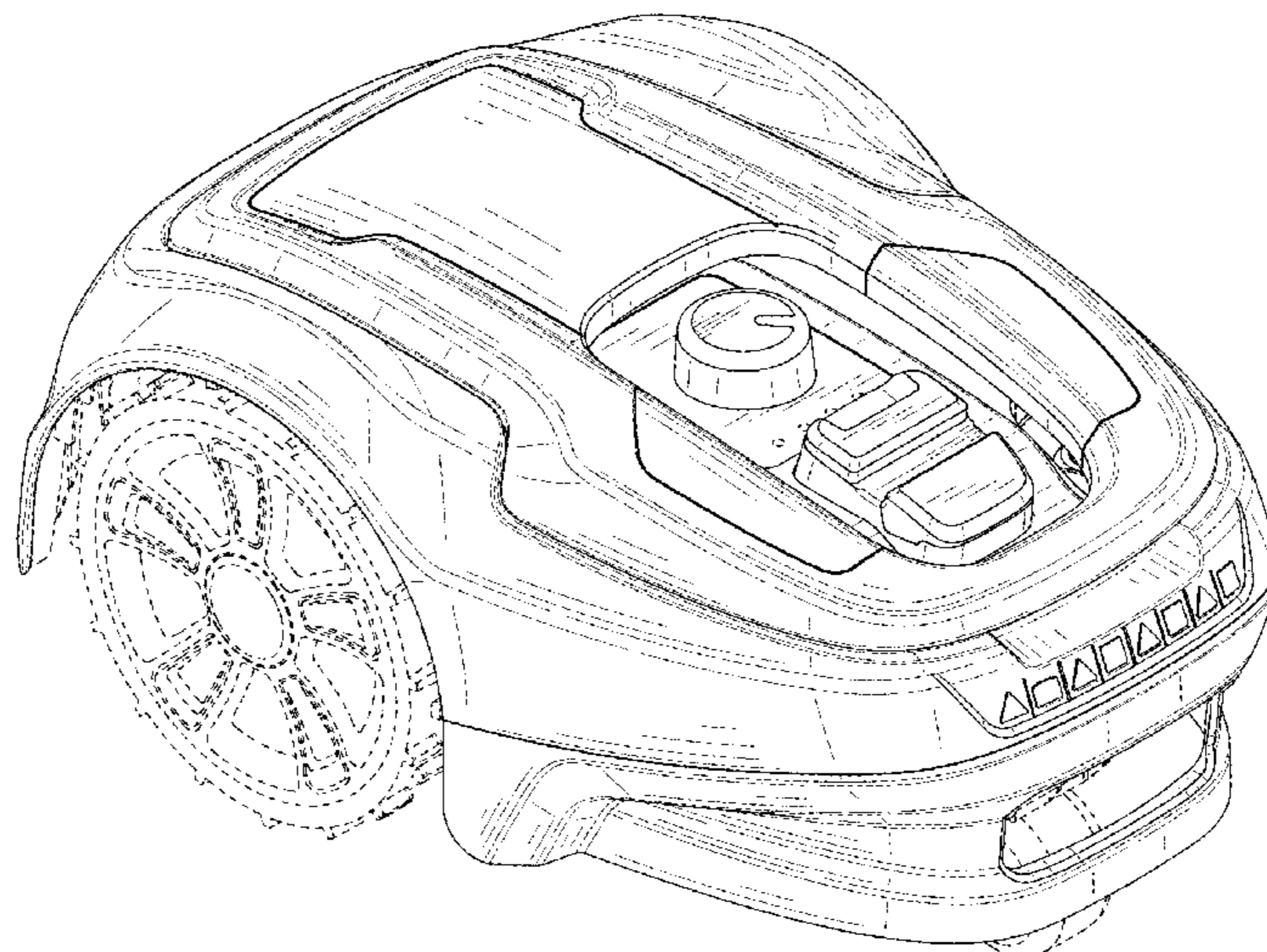
(57) **CLAIM**

The ornamental design for a robotic mower, as shown and described.

**DESCRIPTION**

FIG. 1 is a top, front and left side perspective view of a robotic mower showing our new design;  
FIG. 2 is a bottom, rear and right side perspective view thereof;  
FIG. 3 is a front elevational view thereof;  
FIG. 4 is a rear elevational view thereof;  
FIG. 5 is a left side view thereof;  
FIG. 6 is a right side view thereof;  
FIG. 7 is a top plan view thereof;  
FIG. 8 is a bottom plan view thereof; and,  
FIG. 9 is an enlarged view of portion 9 in FIG. 3.  
The broken lines in the drawings illustrate portions of the robotic mower which form no part of the claimed design.

**1 Claim, 9 Drawing Sheets**



(56)

**References Cited**

U.S. PATENT DOCUMENTS

D881,252 S \* 4/2020 Vestberg ..... D15/199  
D889,517 S \* 7/2020 Prybor ..... D15/14  
D890,219 S \* 7/2020 Tat ..... D15/14

\* cited by examiner

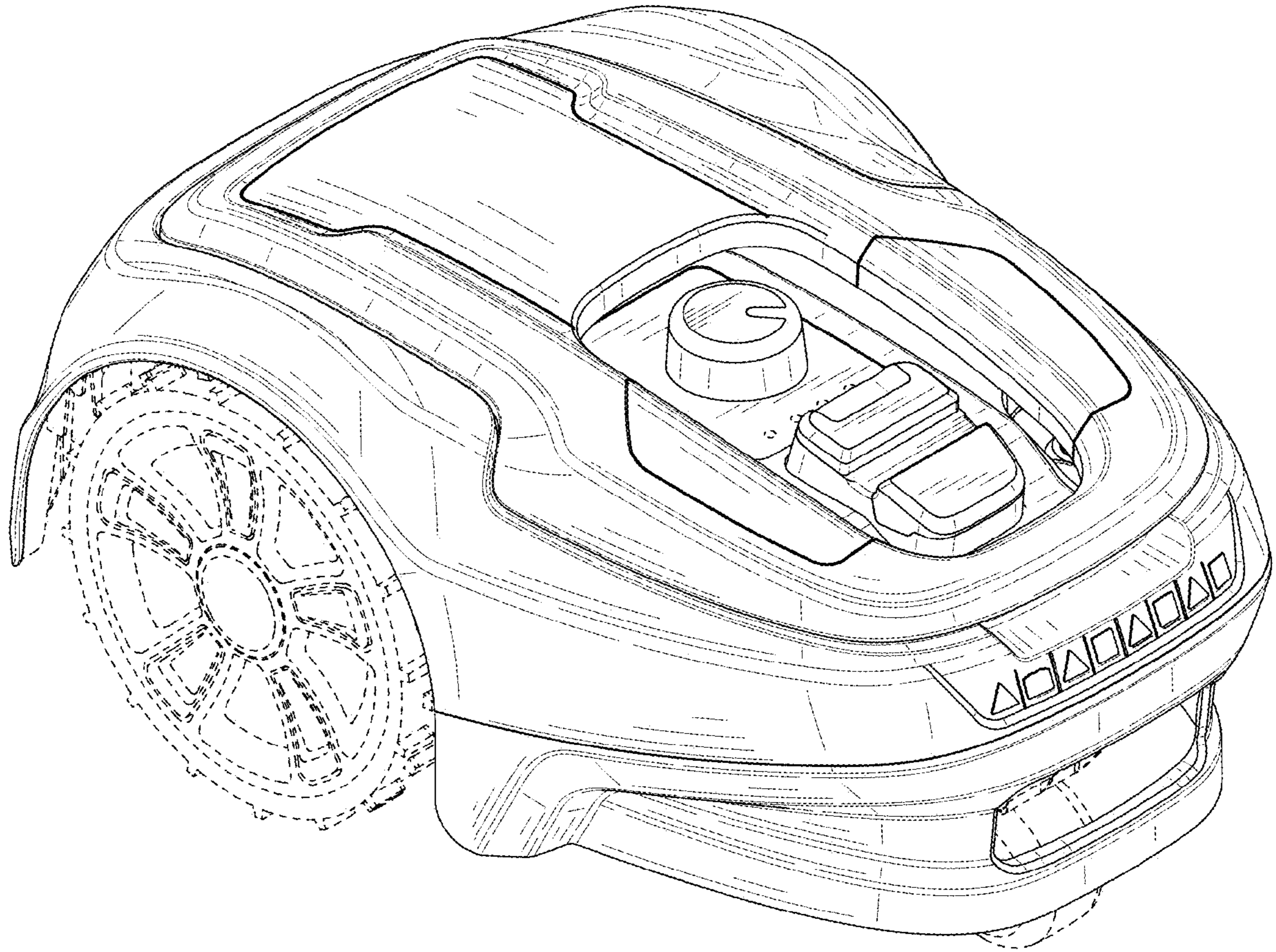


FIG. 1

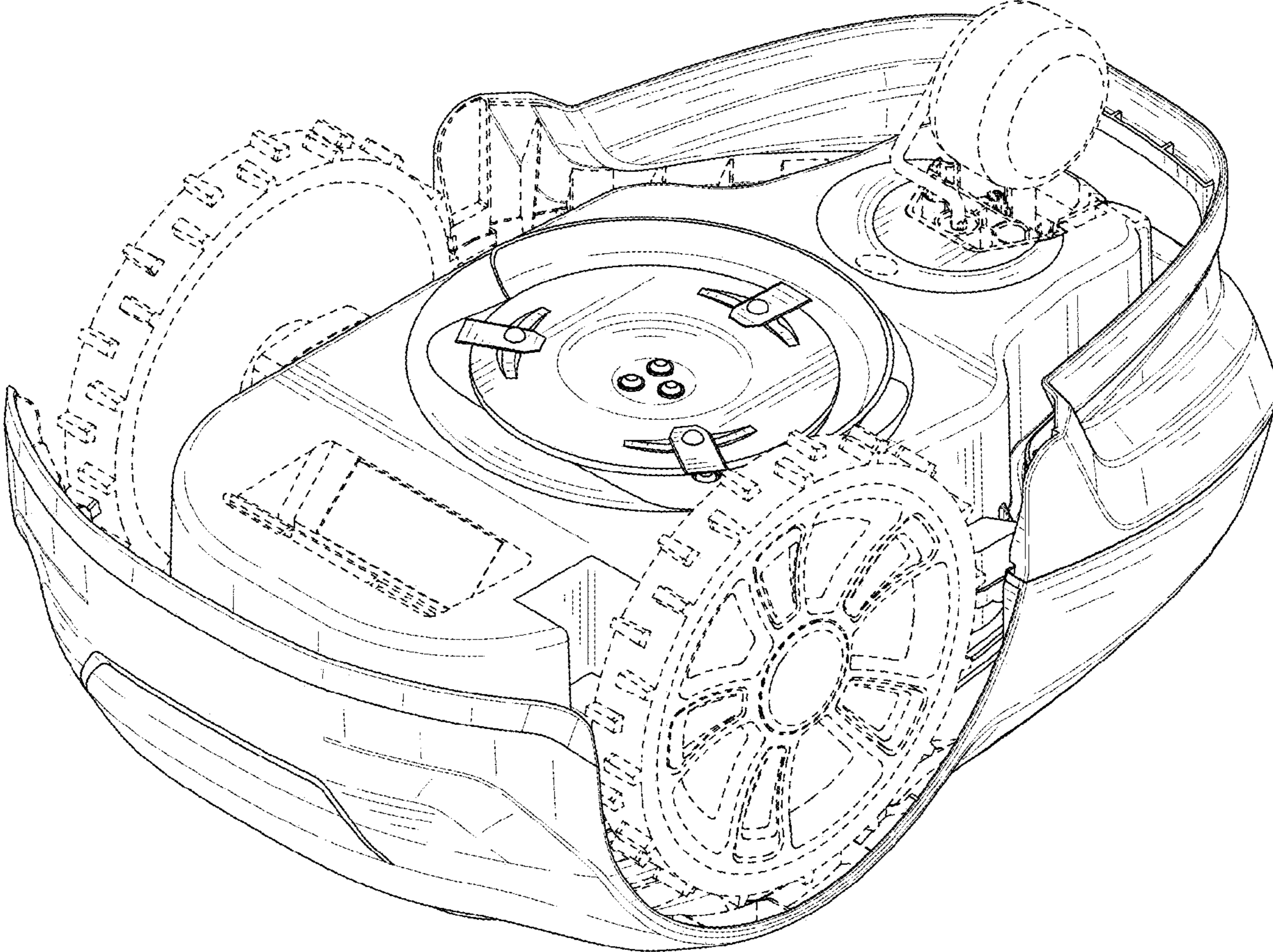


FIG. 2

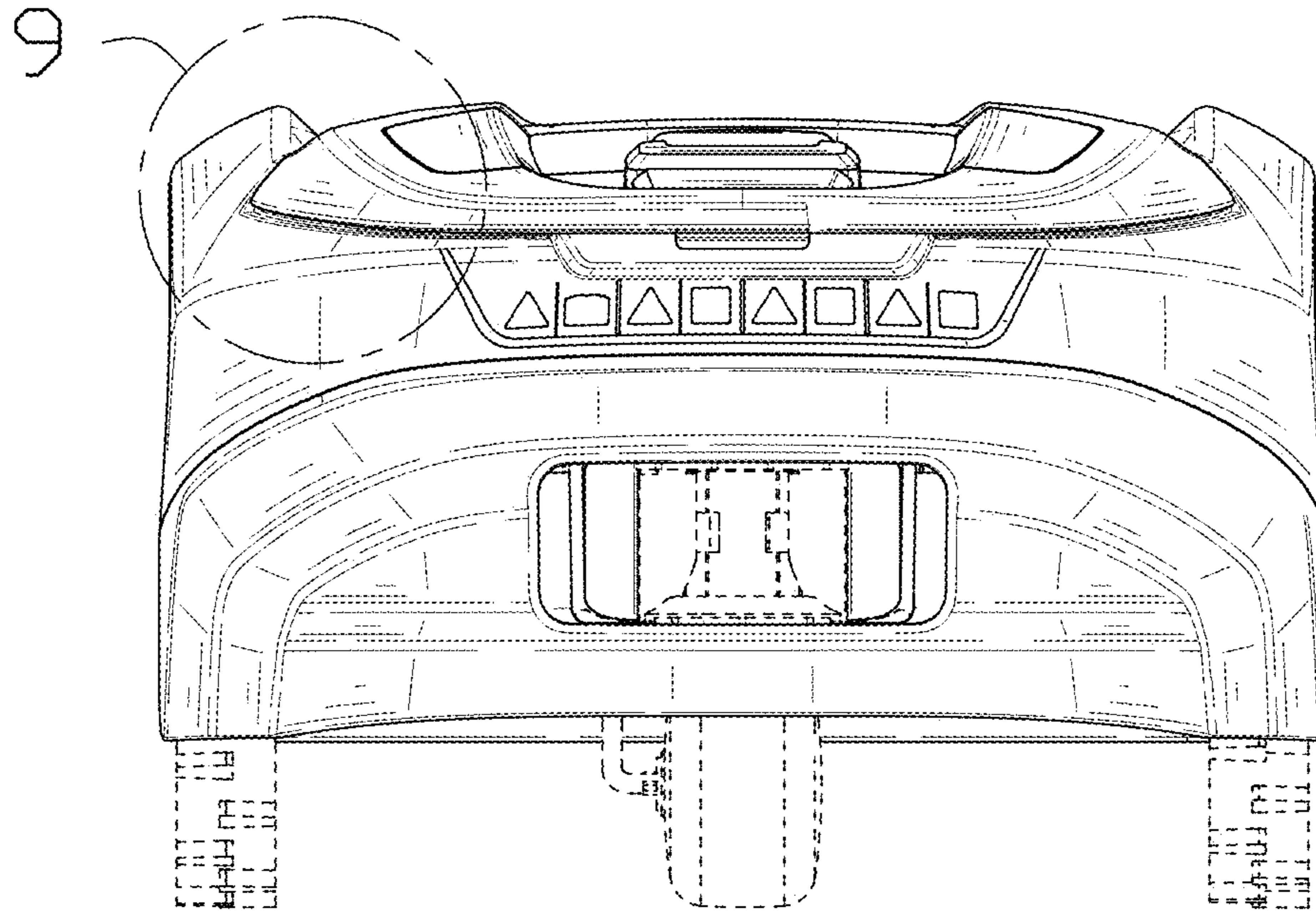


FIG. 3

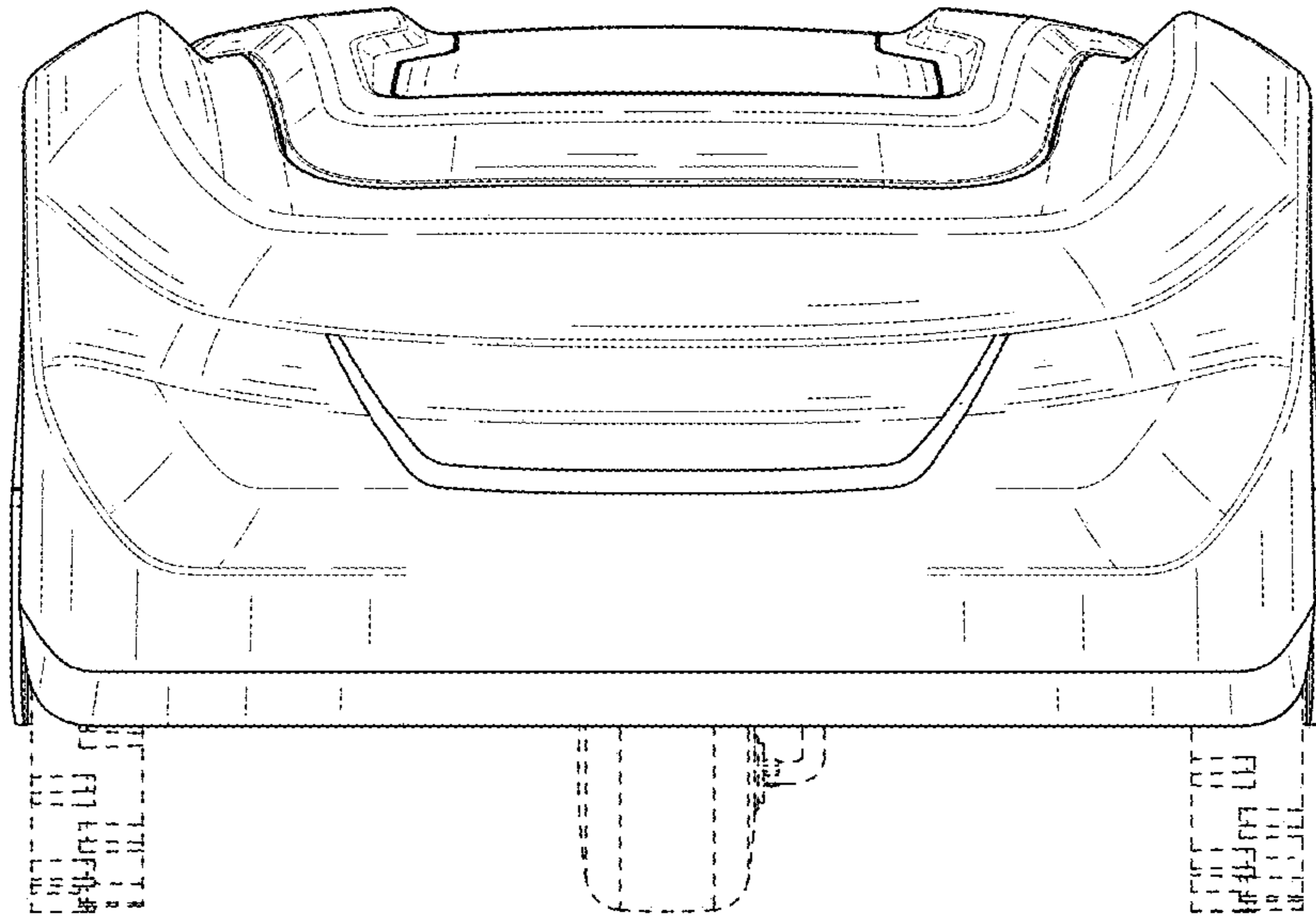


FIG. 4

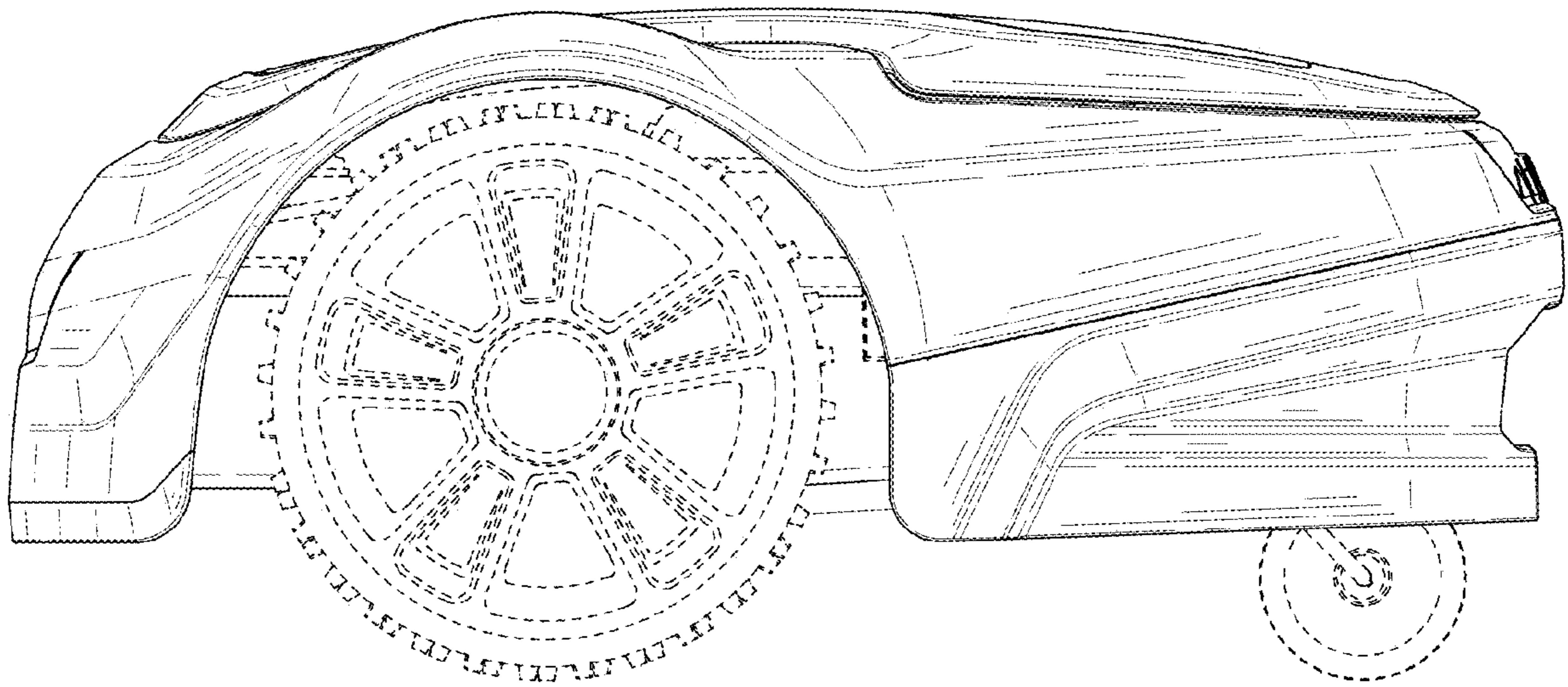


FIG. 5

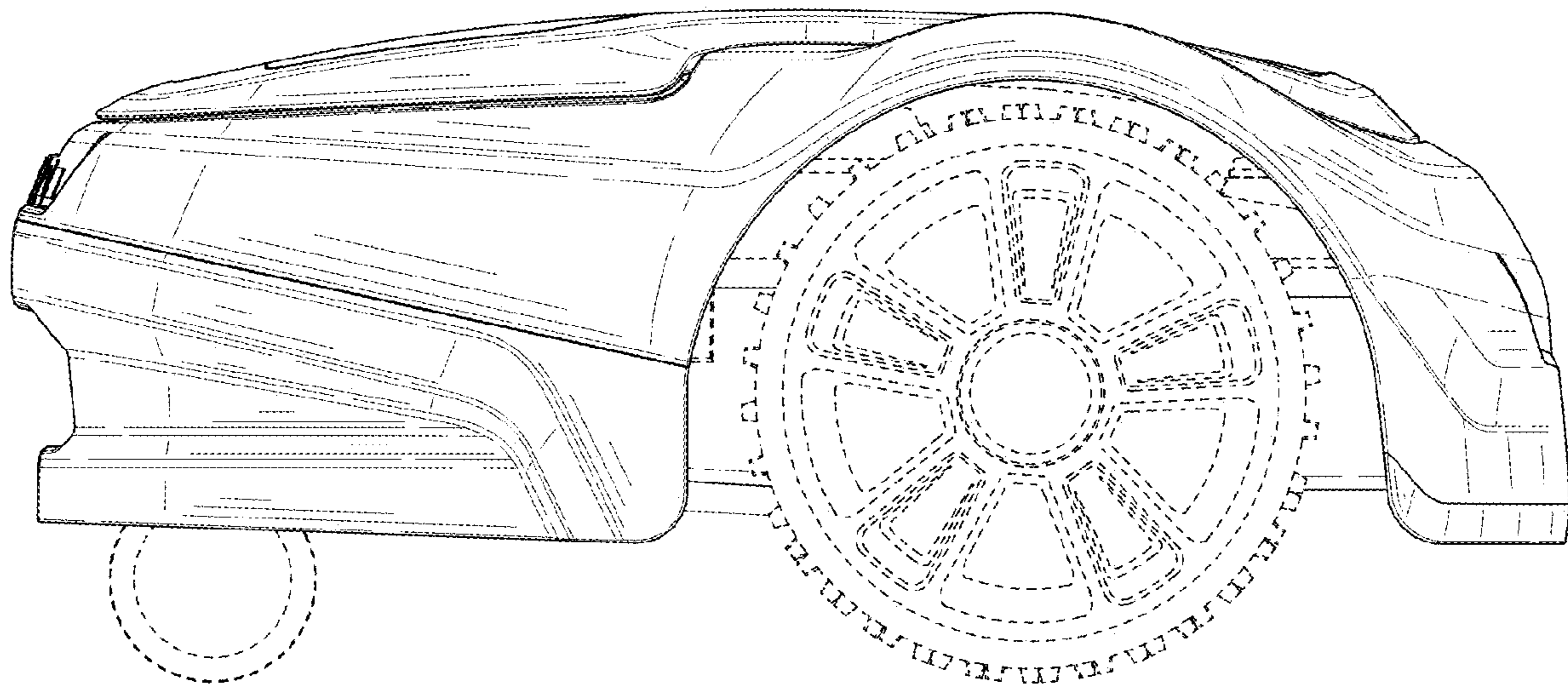


FIG. 6



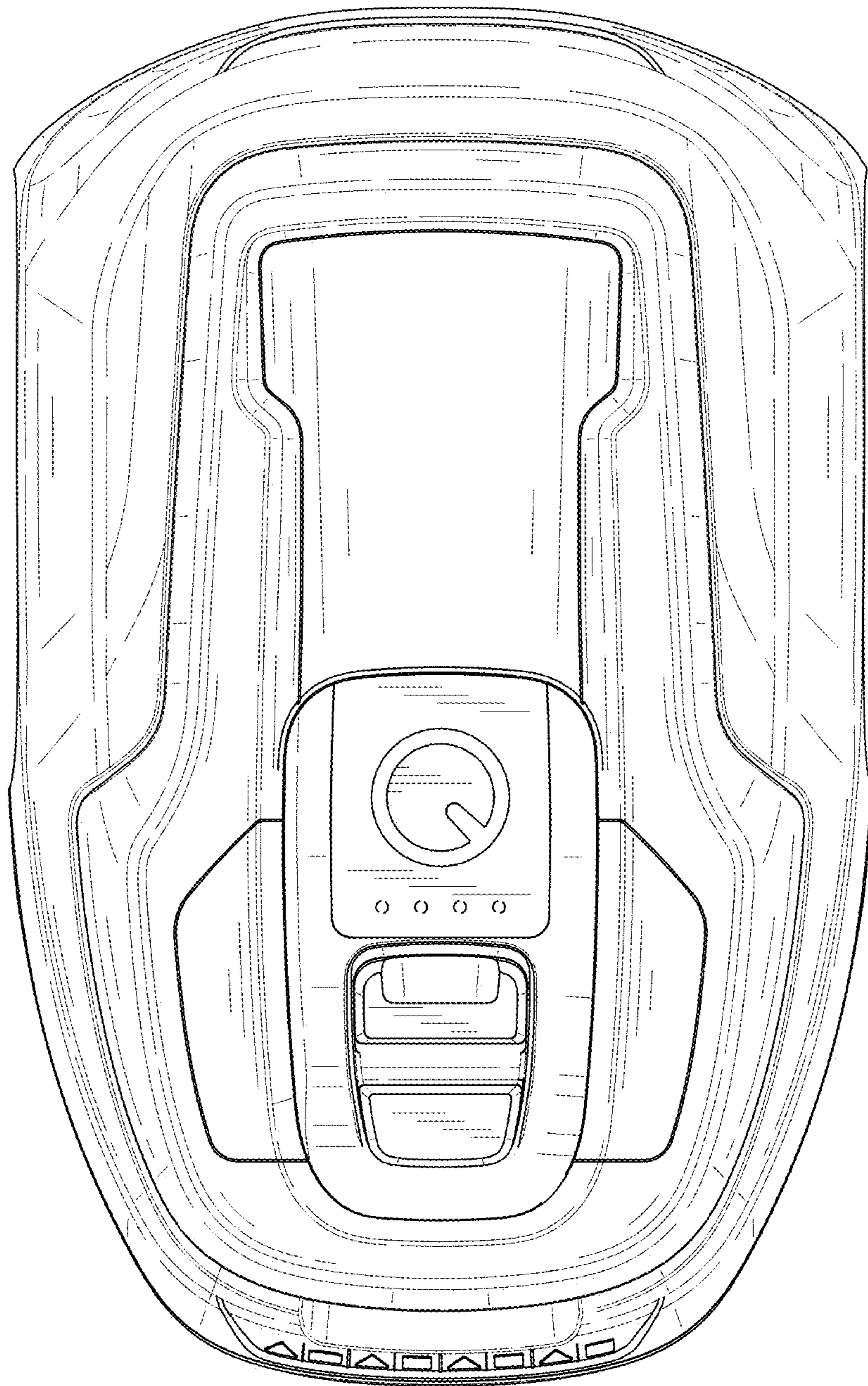


FIG. 7

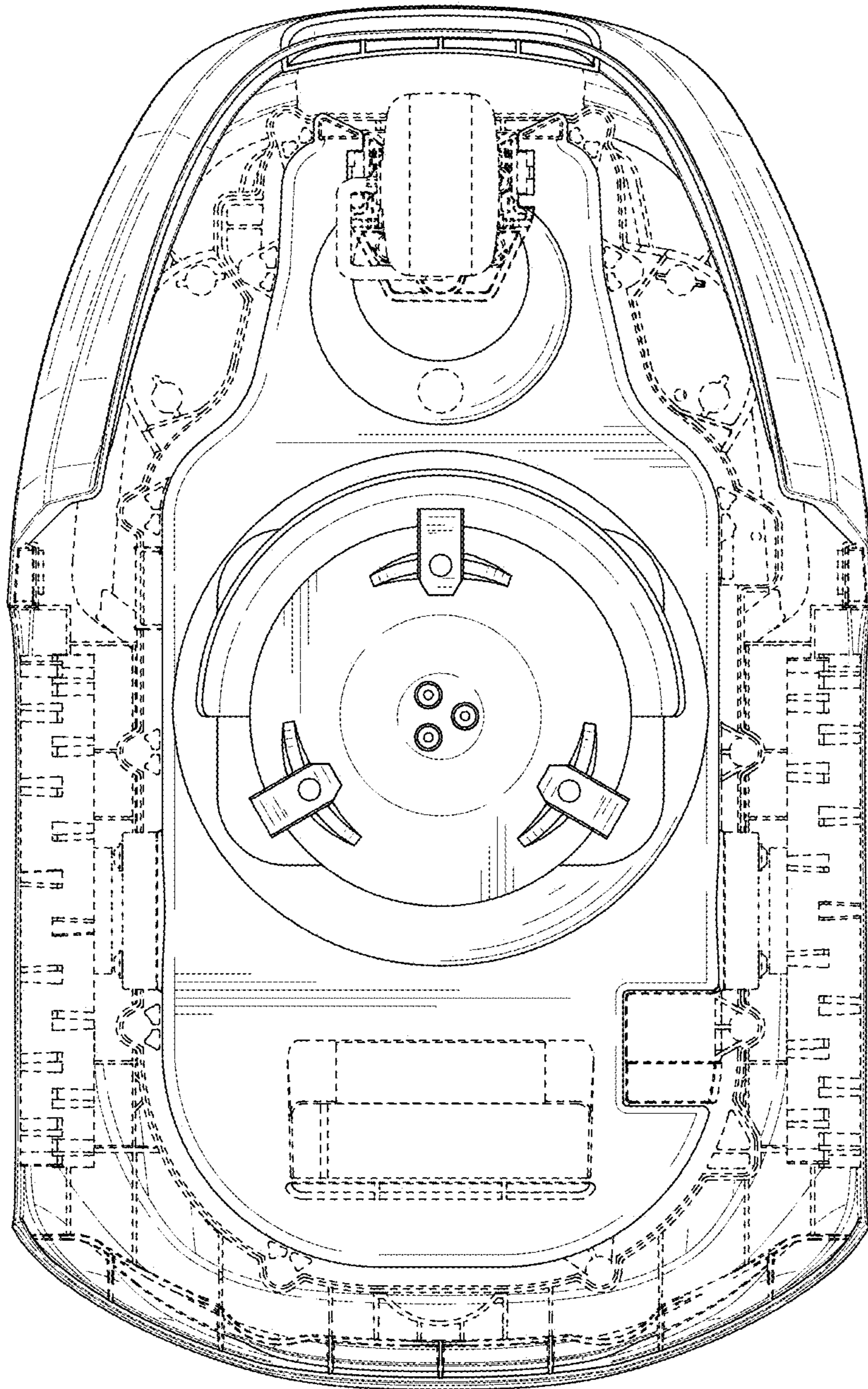


FIG. 8

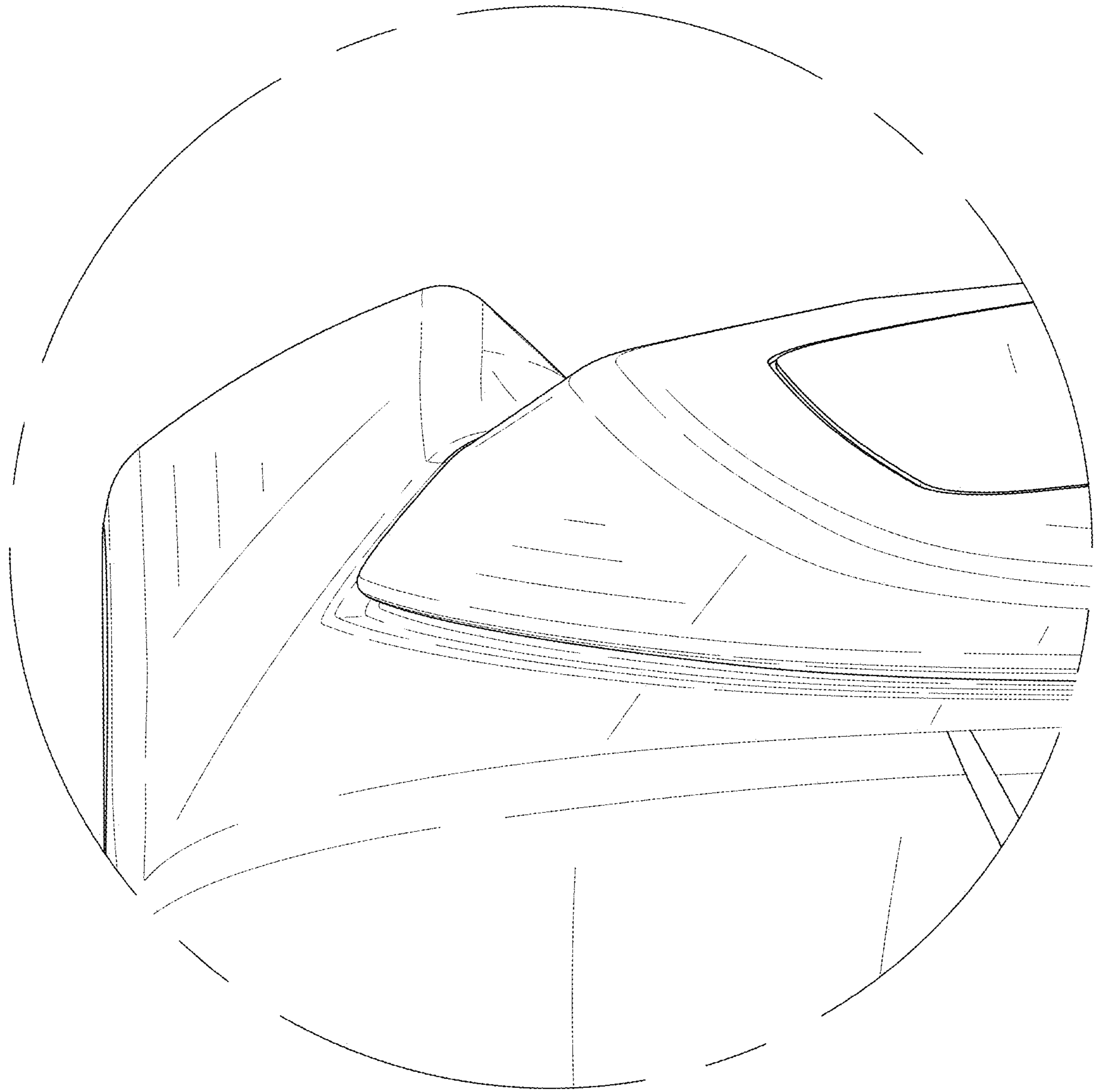


FIG. 9