



US00D928201S

(12) **United States Design Patent** (10) **Patent No.:** **US D928,201 S**
Patil (45) **Date of Patent:** **** Aug. 17, 2021**

- (54) **PISTON COOLING APPARATUS**
- (71) Applicant: **Transportation IP Holdings, LLC,**
Norwalk, CT (US)
- (72) Inventor: **Abhijit Eknath Patil,** Bangalore (IN)
- (73) Assignee: **TRANSPORTATION IP HOLDINGS,**
LLC, Norwalk, CT (US)
- (**) Term: **15 Years**
- (21) Appl. No.: **29/700,598**
- (22) Filed: **Aug. 2, 2019**
- (51) **LOC (13) Cl.** **15-01**
- (52) **U.S. Cl.**
USPC **D15/5**
- (58) **Field of Classification Search**
USPC D15/1, 2, 3, 4, 5, 6, 7
CPC F01P 3/08; F01P 3/10; F01P 3/06
See application file for complete search history.

(56) **References Cited**

U.S. PATENT DOCUMENTS

4,408,575	A	10/1983	Clairmont, Jr. et al.	
10,590,830	B1 *	3/2020	Candela	F02F 3/22
2005/0092265	A1 *	5/2005	Dunbar	F01P 3/10
				123/41.35
2006/0169331	A1 *	8/2006	Neto	F16K 15/044
				137/539
2006/0243226	A1 *	11/2006	Bontaz	F01M 1/08
				123/41.35
2010/0001103	A1 *	1/2010	Neto	F01P 3/08
				239/583
2010/0095910	A1 *	4/2010	Phelps	F01M 1/08
				123/41.35
2014/0060464	A1 *	3/2014	Bennington	F01P 3/06
				123/41.35
2014/0238317	A1 *	8/2014	Gokan	F01P 3/08
				123/41.17

2015/0068471	A1 *	3/2015	Schneider	G05D 7/0126
				123/41.08
2015/0330286	A1 *	11/2015	Claywell	F01M 1/08
				123/41.35
2018/0126405	A1 *	5/2018	Ogino	F01P 3/08
2018/0283257	A1 *	10/2018	Sotani	F01M 1/08

(Continued)

FOREIGN PATENT DOCUMENTS

DE	102004049174	A1 *	4/2006	F02F 3/22
DE	102015203134	A1 *	8/2015	F01P 3/10
DE	102015016370	A1 *	6/2017	F01M 1/08

(Continued)

OTHER PUBLICATIONS

Patil, A., "Piston Cooling Jet System," U.S. Appl. No. 16/530,862, filed Aug. 2, 2019, 33 pages.
(Continued)

Primary Examiner — Ania Aman
(74) *Attorney, Agent, or Firm* — McCoy Russell LLP

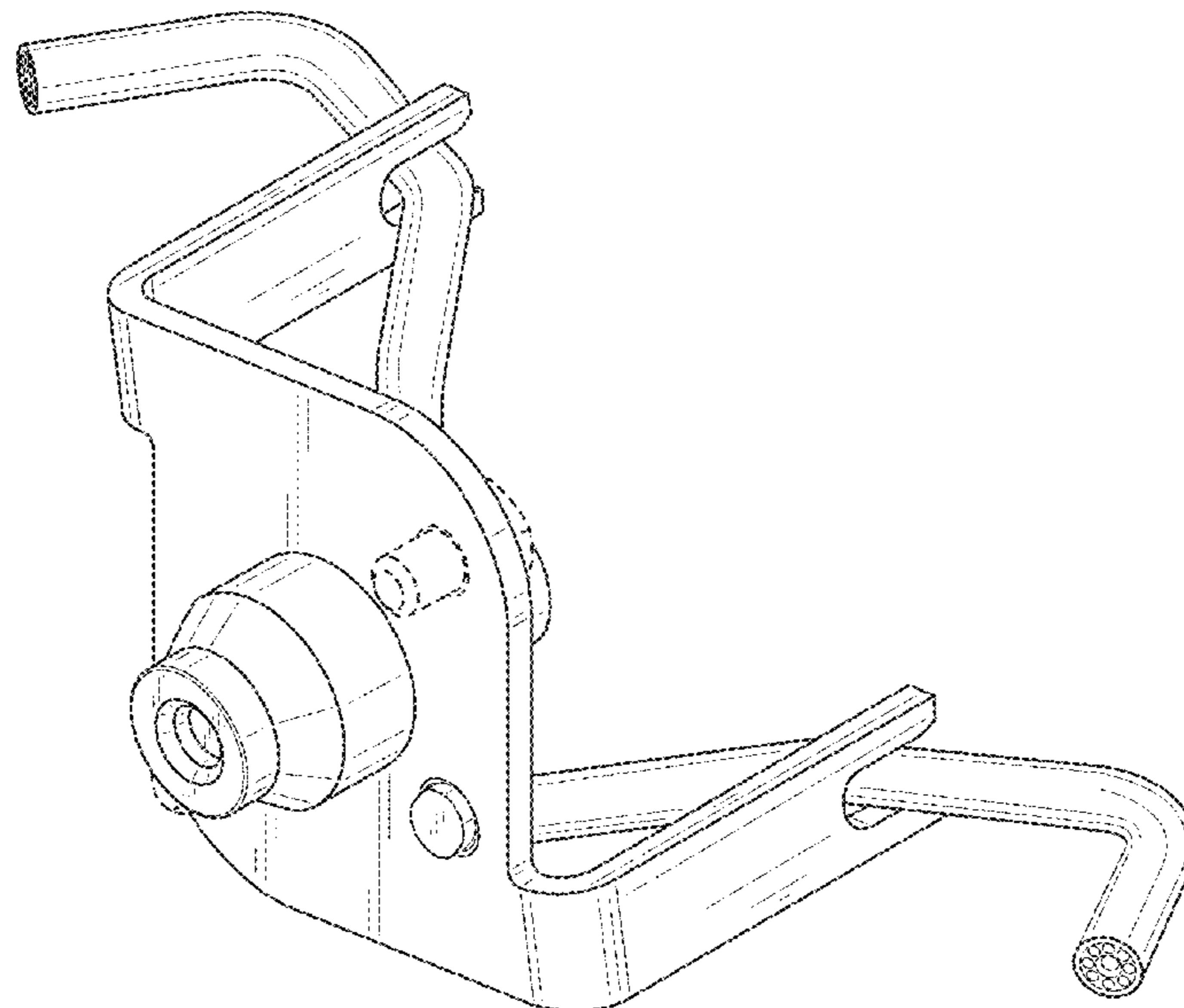
(57) **CLAIM**

The ornamental design for a piston cooling apparatus, as shown and described.

DESCRIPTION

FIG. 1 is a front-left perspective view of a piston cooling apparatus according to the claimed design.
FIG. 2 is a front view of the piston cooling apparatus.
FIG. 3 is a rear view of the piston cooling apparatus.
FIG. 4 is a right side view of the piston cooling apparatus.
FIG. 5 is a left side view of the piston cooling apparatus.
FIG. 6 is a top view of the piston cooling apparatus; and,
FIG. 7 is a bottom view of the piston cooling apparatus.
The broken lines in FIGS. 1-7 illustrate portions of the piston cooling apparatus that form no part of the claimed design.

1 Claim, 7 Drawing Sheets



(56)

References Cited

U.S. PATENT DOCUMENTS

2019/0145301 A1* 5/2019 Kuhn F01P 3/02
123/41.35

FOREIGN PATENT DOCUMENTS

DE 102017001615 B3 * 5/2018 F01P 3/08
EP 1273774 A1 * 1/2003 F01P 3/08
EP 1394376 A1 * 3/2004 F01P 3/08
EP 2713020 A1 * 4/2014 F01P 3/08
EP 2835511 A1 * 2/2015 F01P 3/08
FR 2844002 A1 * 3/2004 F01P 3/08
FR 3047769 A1 * 8/2017 F01M 1/08
WO WO-2005026591 A2 * 3/2005 F16K 15/025
WO WO-2006069075 A2 * 6/2006 F01M 1/08
WO WO-2008072680 A1 * 6/2008 F01M 1/08
WO WO-2014077964 A1 * 5/2014 F01M 1/08
WO WO-2016189959 A1 * 12/2016 F01M 1/08
WO WO-2017038756 A1 * 3/2017 F02F 3/22
WO WO-2018164878 A1 * 9/2018 F01P 3/08
WO WO-2018229414 A1 * 12/2018 F01M 1/08

OTHER PUBLICATIONS

Patil, A., "An Ornamental Design for a Piston Cooling Apparatus,"
U.S. Appl. No. 29/700,594, filed Aug. 2, 2019, 6 pages.

* cited by examiner

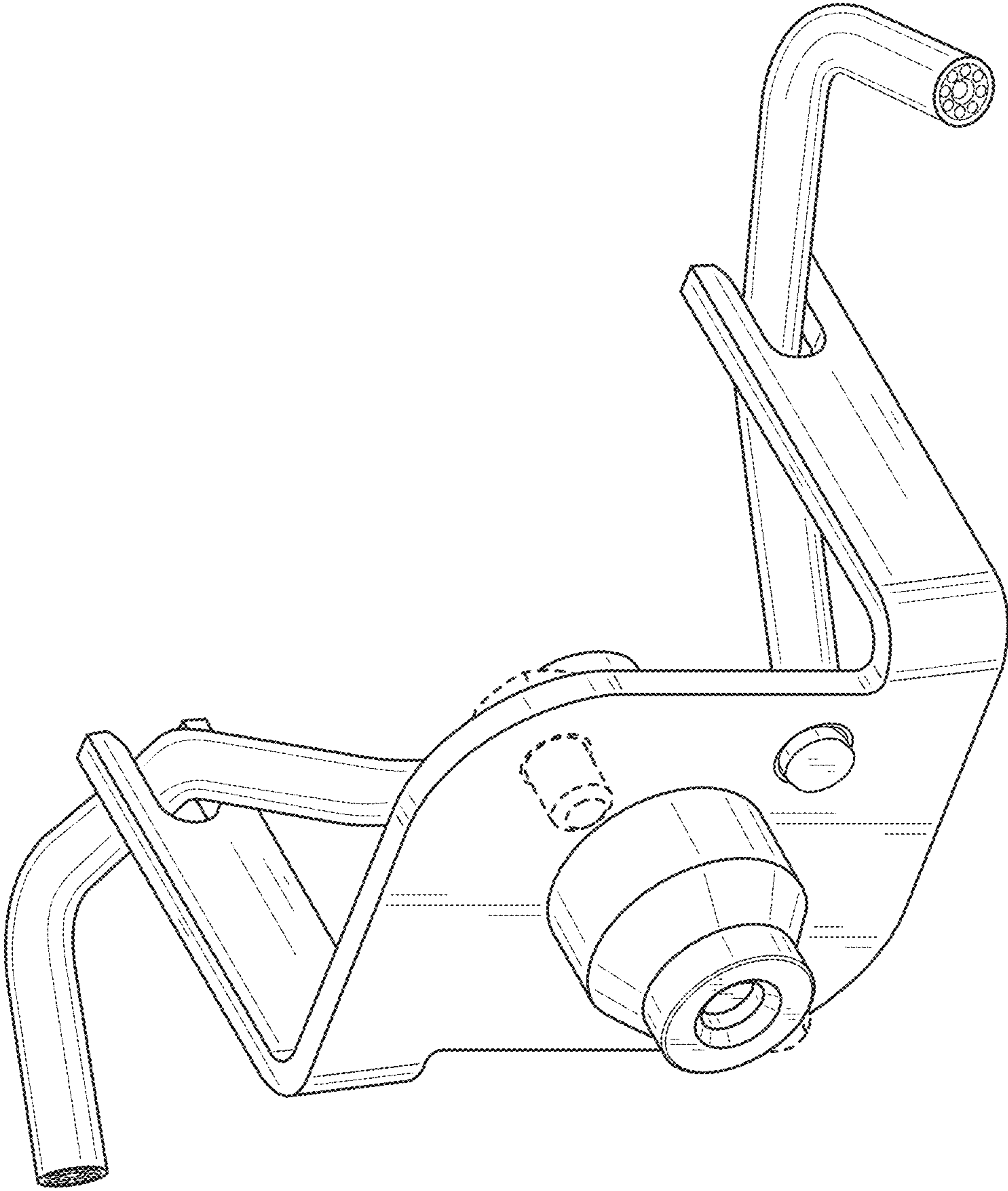


FIG. 1

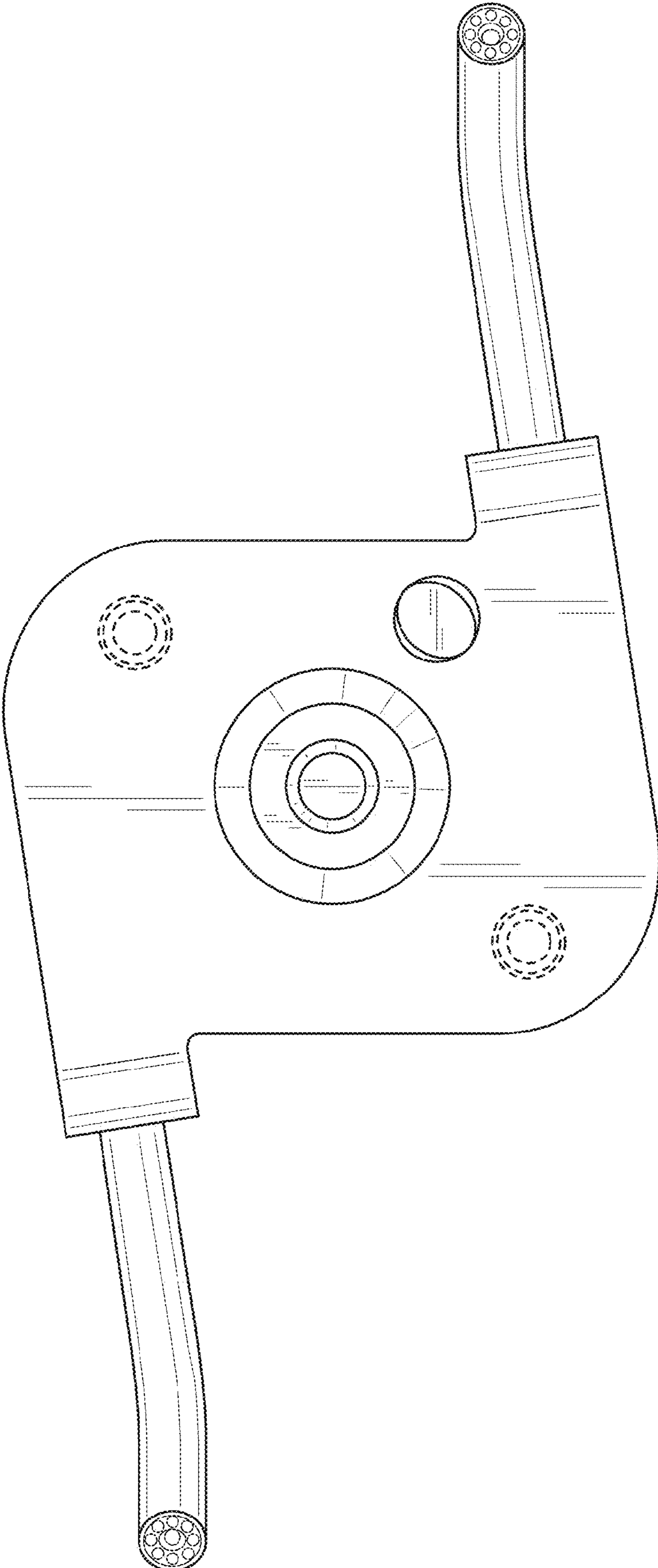


FIG. 2

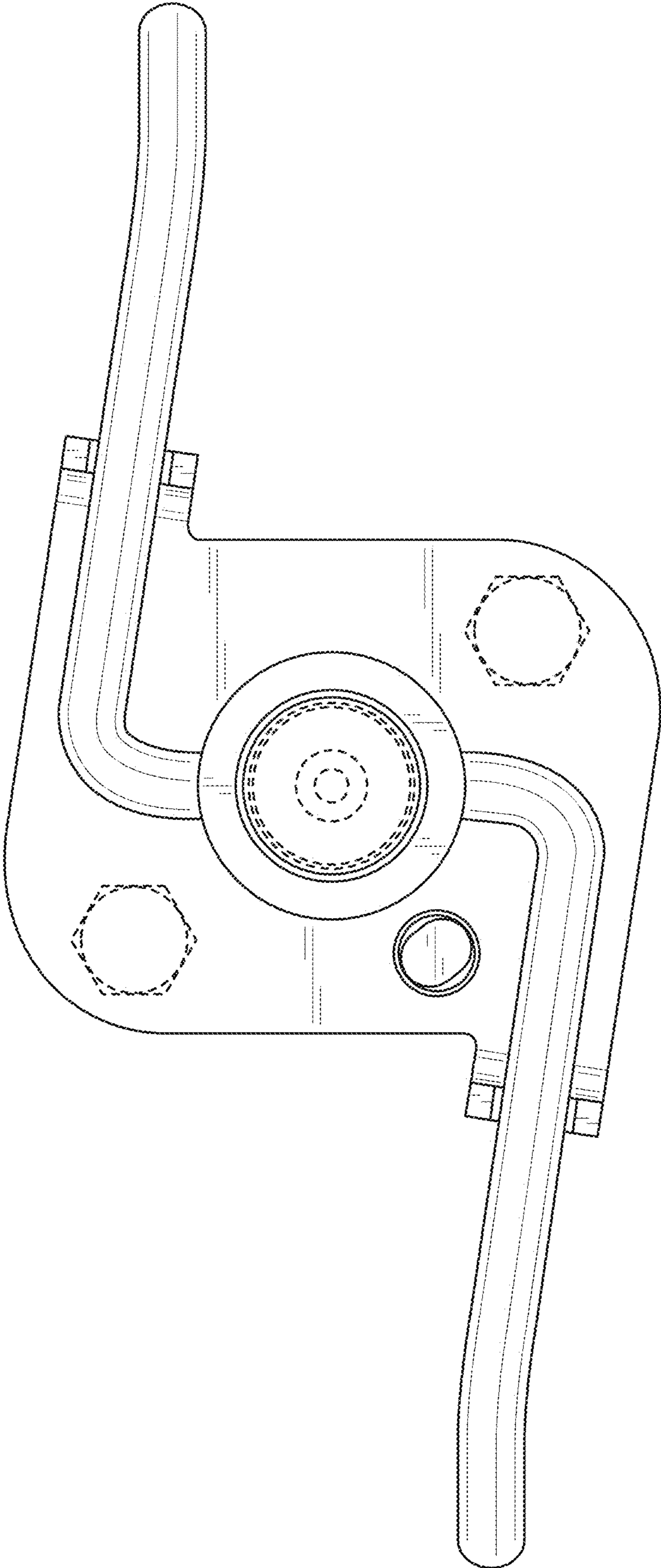


FIG. 3

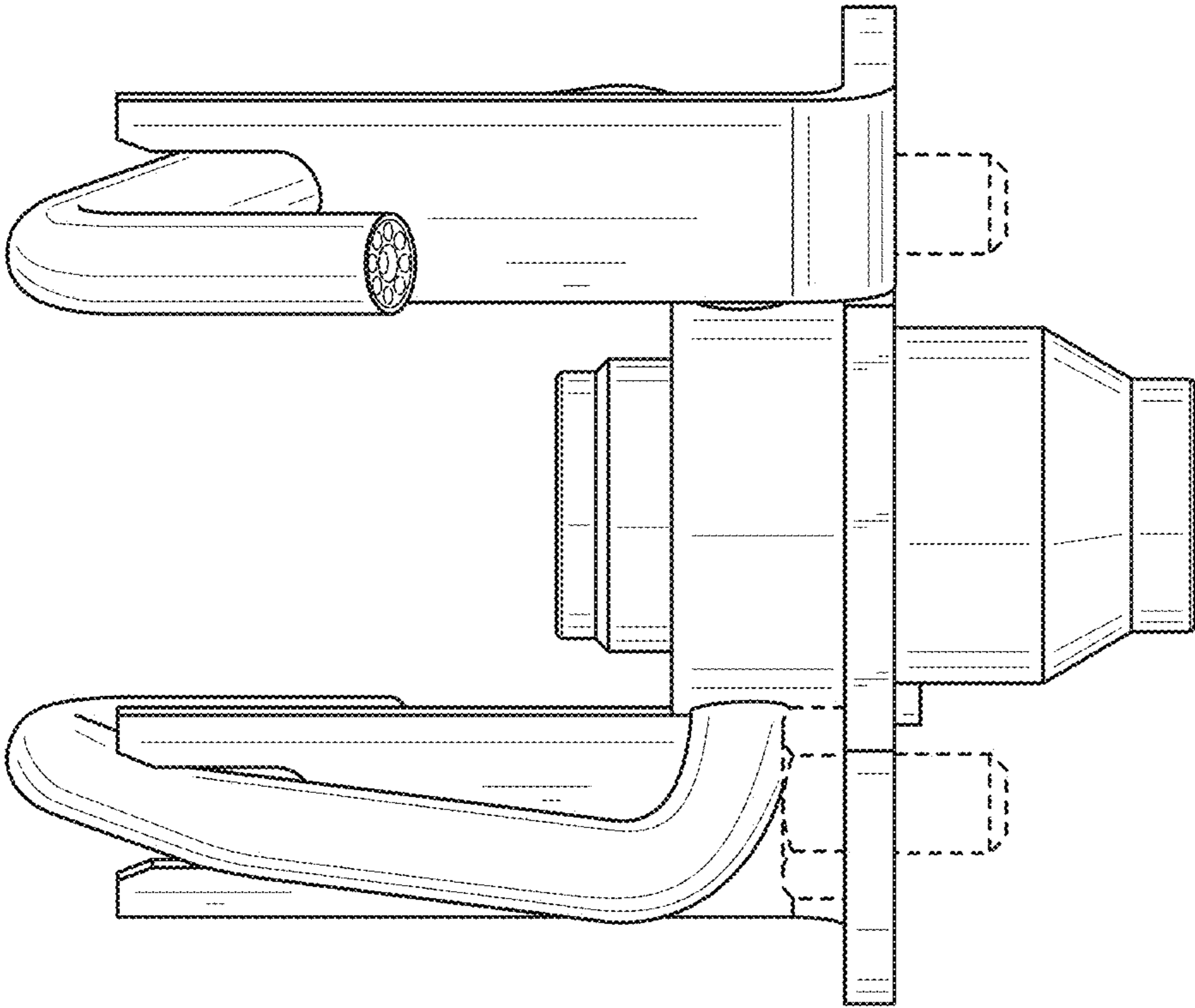


FIG. 4

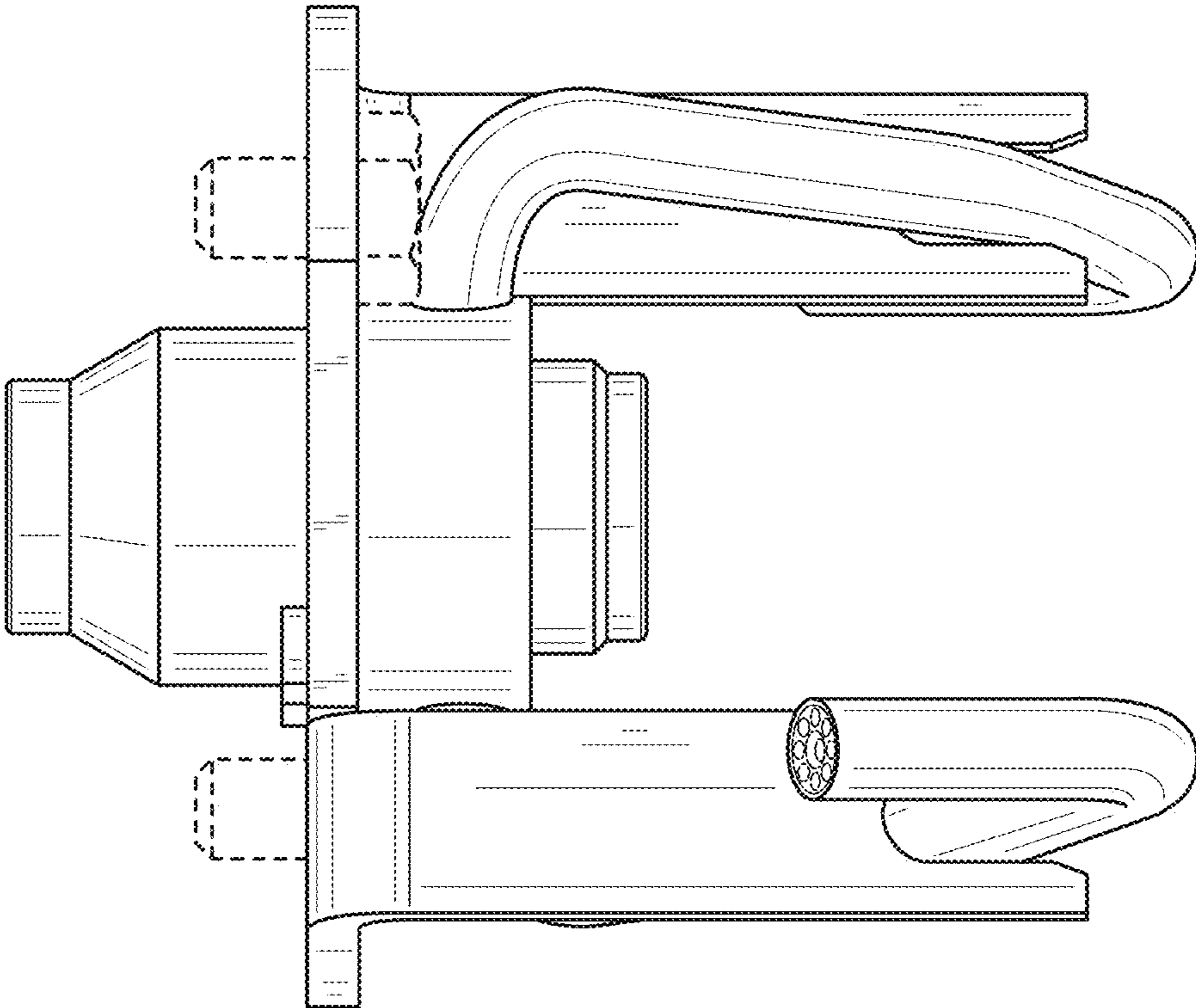


FIG. 5

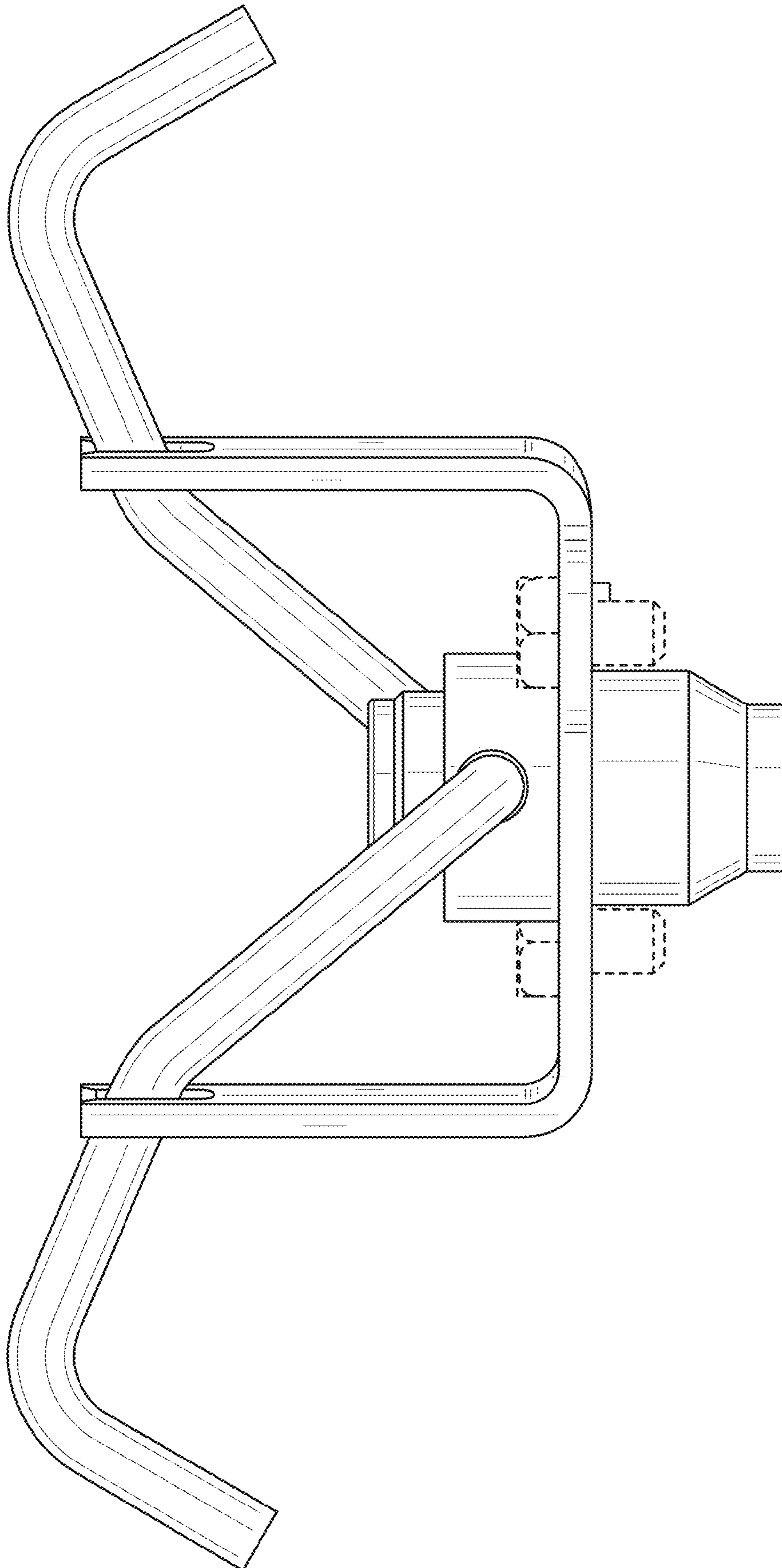


FIG. 6

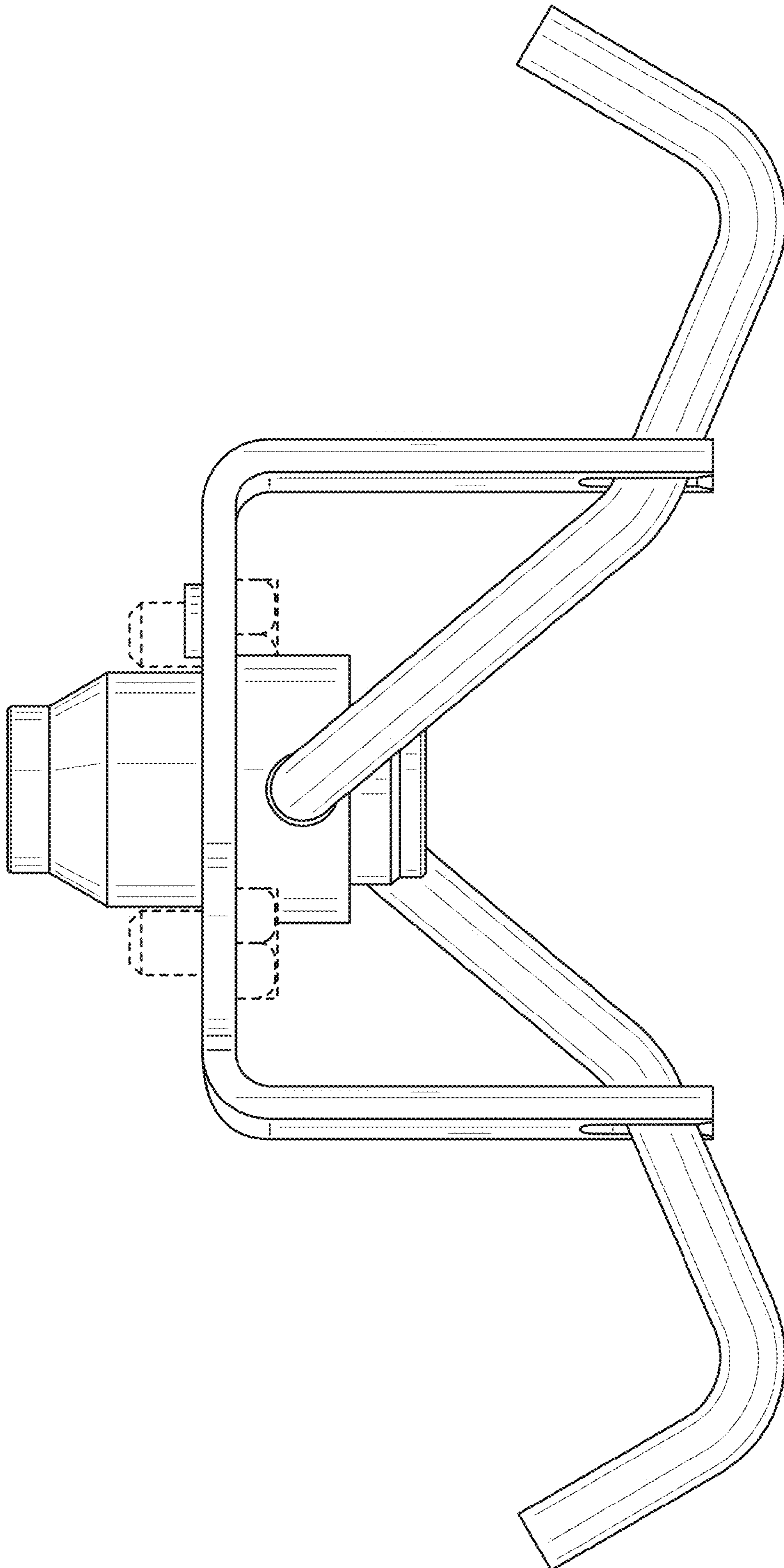


FIG. 7