



US00D928181S

(12) **United States Design Patent**  
**Natali, Jr. et al.**

(10) **Patent No.:** **US D928,181 S**

(45) **Date of Patent:** **\*\* Aug. 17, 2021**

(54) **DISPLAY SCREEN OR PORTION THEREOF WITH ANIMATED GRAPHICAL USER INTERFACE**

(71) Applicant: **Troutwood, LLC**, Pittsburgh, PA (US)

(72) Inventors: **Eugene M. Natali, Jr.**, Pittsburgh, PA (US); **Dorian Brown**, Pittsburgh, PA (US)

(73) Assignee: **Troutwood, LLC**, Pittsburgh, PA (US)

(\*\*) Term: **15 Years**

(21) Appl. No.: **29/710,139**

(22) Filed: **Oct. 21, 2019**

(51) **LOC (13) Cl.** ..... **14-04**

(52) **U.S. Cl.**  
USPC ..... **D14/485**

(58) **Field of Classification Search**

USPC ..... D14/485-495

CPC .... G06F 3/048; G06F 3/0481; G06F 3/04812;

G06F 3/04817; G06F 3/0482; G06F

3/0483; G06F 3/0484; G06F 3/04847;

G06F 3/0485; G06F 3/04855; G06F

3/04886; G06Q 30/00; H03J 1/00; H03J

1/0008; H03J 1/0016; H03J 1/0025;

H04N 5/00; H04N 5/08; H04N 5/14;

H04N 5/222; H04N 5/225; H04N 5/232;

H04N 5/445; H04N 5/44543; H04N 5/45;

H04N 2005/44517; H04N 2005/44521;

H04N 2005/44526; H04N 2005/4453;

H04N 2005/44534; H04N 2005/44539;

H04N 2005/44547; H04N 2005/44556;

H04N

(Continued)

(56) **References Cited**

U.S. PATENT DOCUMENTS

D776,145 S \* 1/2017 Armstrong ..... D14/486

D833,455 S \* 11/2018 Czyzewski ..... D14/485

(Continued)

OTHER PUBLICATIONS

“Earth Day Mobile App Page . . . ” dreamstime.com. Date not available. Retrieved Nov. 19, 2020 online at URL: <https://www.dreamstime.com/earth-day-mobile-app-page-onboard-screen-template-volunteer-character-planting-tree-saving-nature-ecological-issues-global-image192658931> (Year: N/A).\*

(Continued)

*Primary Examiner* — Christian P. McLean

(74) *Attorney, Agent, or Firm* — Barley Snyder

(57) **CLAIM**

The ornamental design for a display screen or portion thereof with animated graphical user interface, as shown and described.

**DESCRIPTION**

FIG. 1 is a front view of a first image of a display screen or portion thereof with animated graphical user interface showing the claimed design;

FIG. 2 is a front view of a second image thereof;

FIG. 3 is a front view of a third image thereof;

FIG. 4 is a front view of a fourth image thereof;

FIG. 5 is a front view of a fifth image thereof;

FIG. 6 is a front view of a sixth image thereof; and,

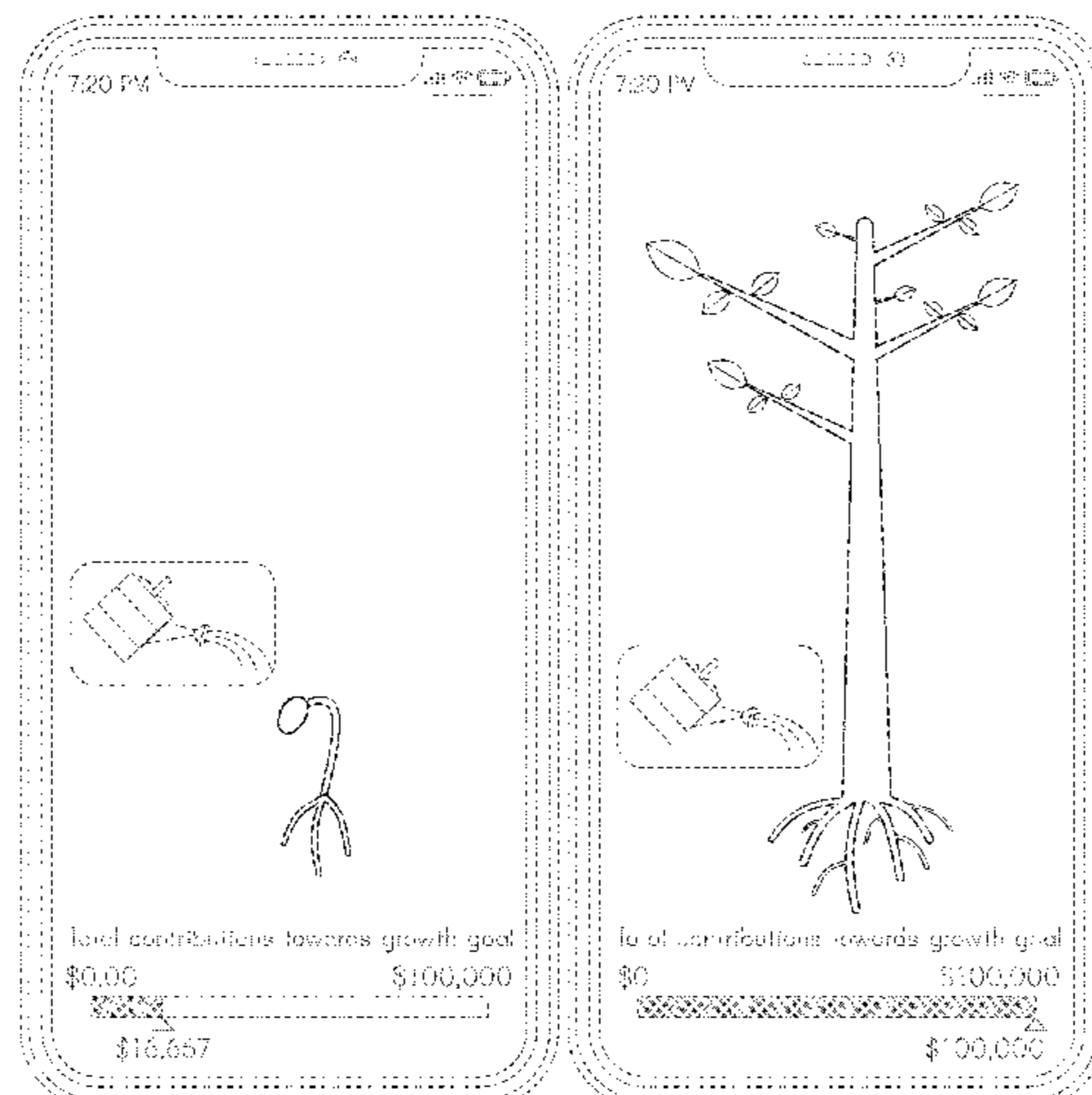
FIG. 7 is a front view of a seventh image thereof.

The outermost broken lines illustrate an electronic device, which is the environment of the design, and forms no part of the claimed design. The remaining broken lines illustrate portions of the display screen and portions of the graphical user interface that form no part of the claimed design.

The appearance of the animated images transitions between the images shown in FIGS. 1-7. The process or period in which one image transitions to another forms no part of the claimed design.

The broken lines shown in the Figures are included to show unclaimed subject matter only and form no part of the claimed design.

**1 Claim, 4 Drawing Sheets**



(58) **Field of Classification Search**

CPC ..... 2005/4456; H04N 2005/44565; H04N  
2005/44569; H04N 2005/44573; H04N  
21/00; H04N 21/234; H04N 21/431;  
H04N 21/4312; H04N 21/4314; H04N  
21/4316

See application file for complete search history.

(56) **References Cited**

U.S. PATENT DOCUMENTS

D840,418 S \* 2/2019 Saad Ahmed ..... D14/485  
D844,655 S \* 4/2019 Argo ..... D14/486  
D882,616 S \* 4/2020 Argo ..... D14/486  
10,841,484 B2 \* 11/2020 Penha ..... H04N 5/232935  
2018/0349008 A1 \* 12/2018 Manzari ..... H04N 5/23219  
2019/0025588 A1 \* 1/2019 Osterhout ..... H04N 13/344

OTHER PUBLICATIONS

Shaw, Aimee. "Finance App Experience." aimeedesign.me. Date  
not available. Retrieved Nov. 19, 2020 online at URL: [https://  
aimeedesign.me/finance-app-experience](https://aimeedesign.me/finance-app-experience) (Year: N/A).\*

\* cited by examiner

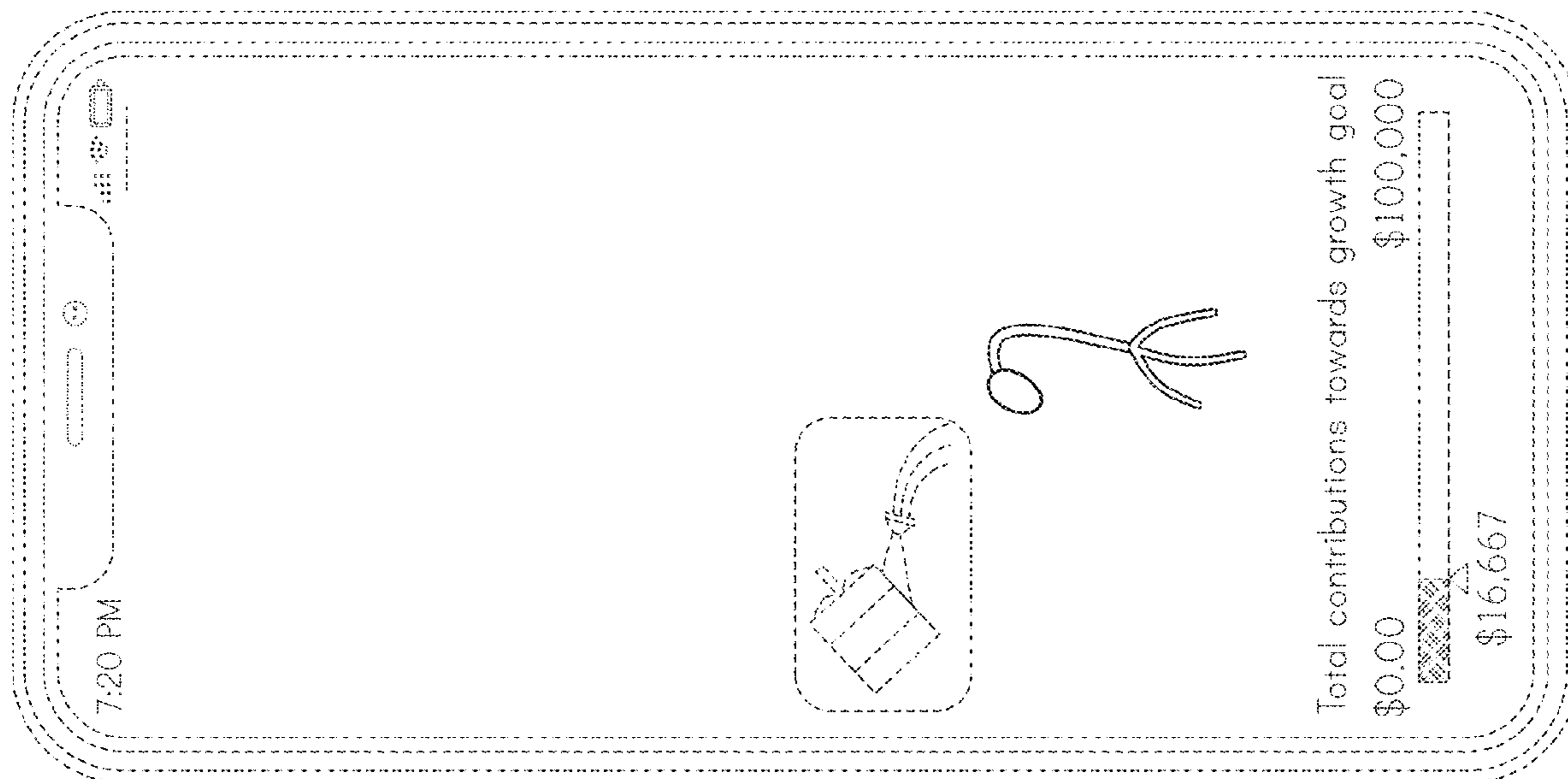


FIG. 1

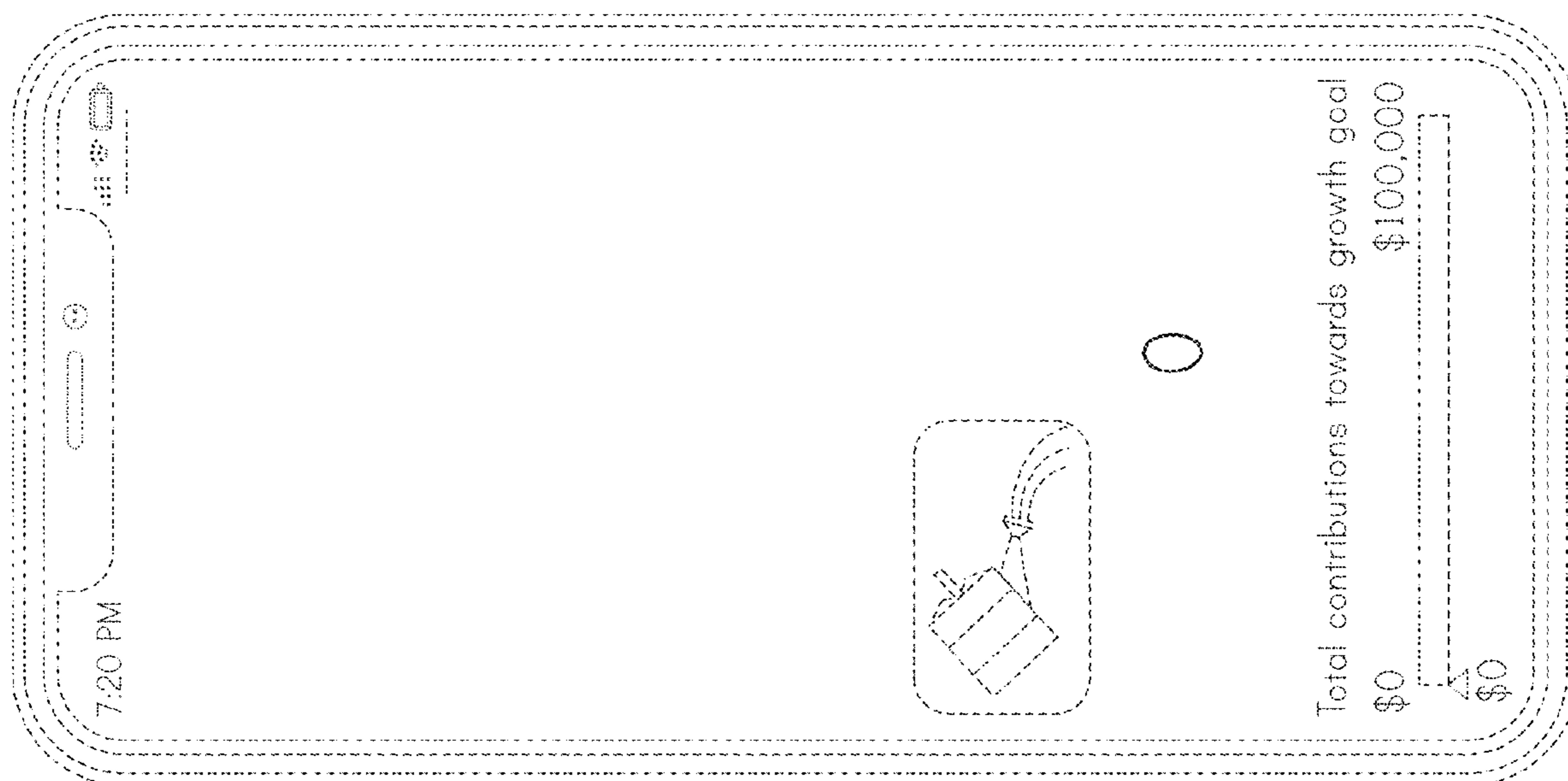


FIG. 2

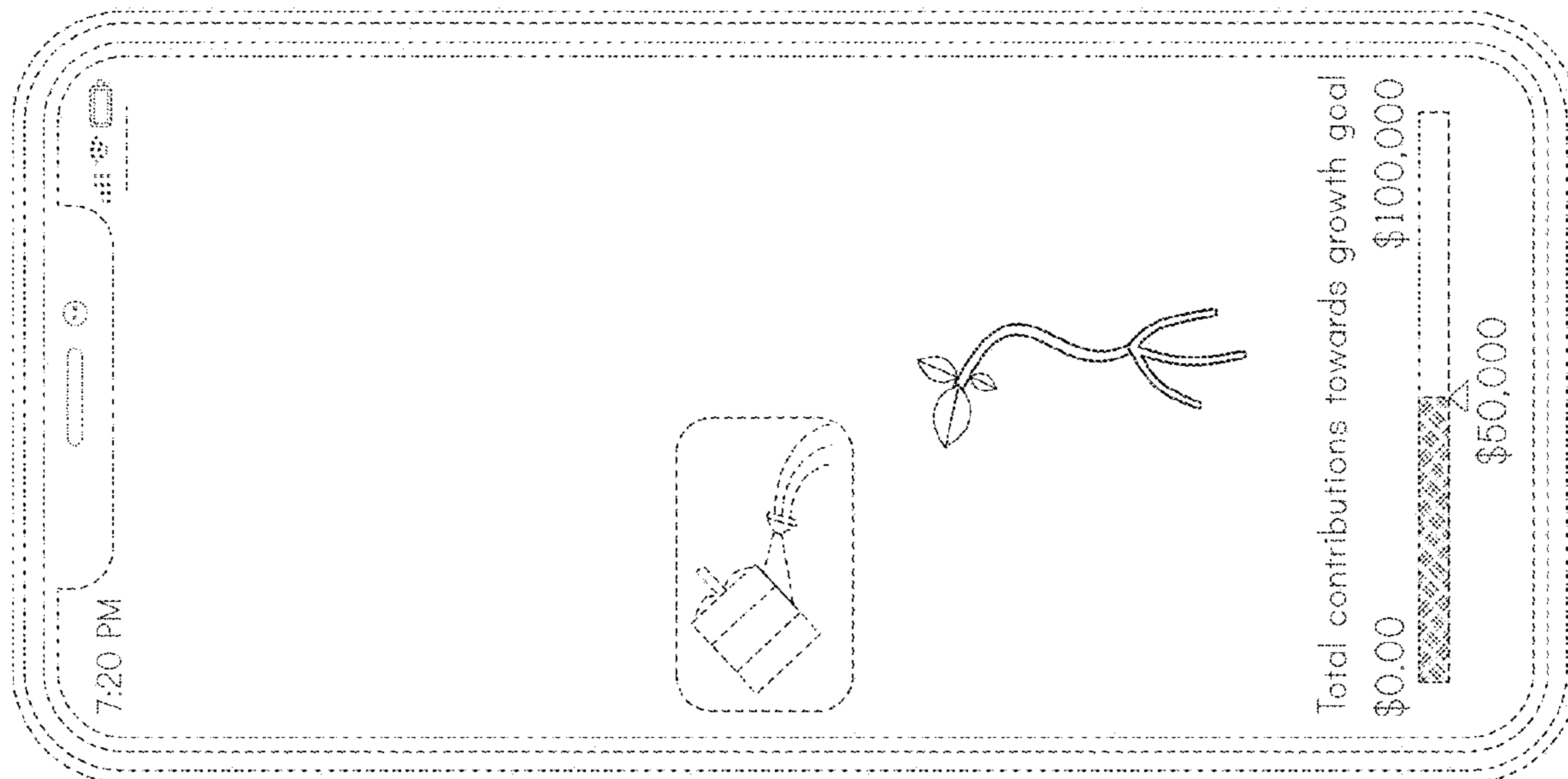


FIG. 3

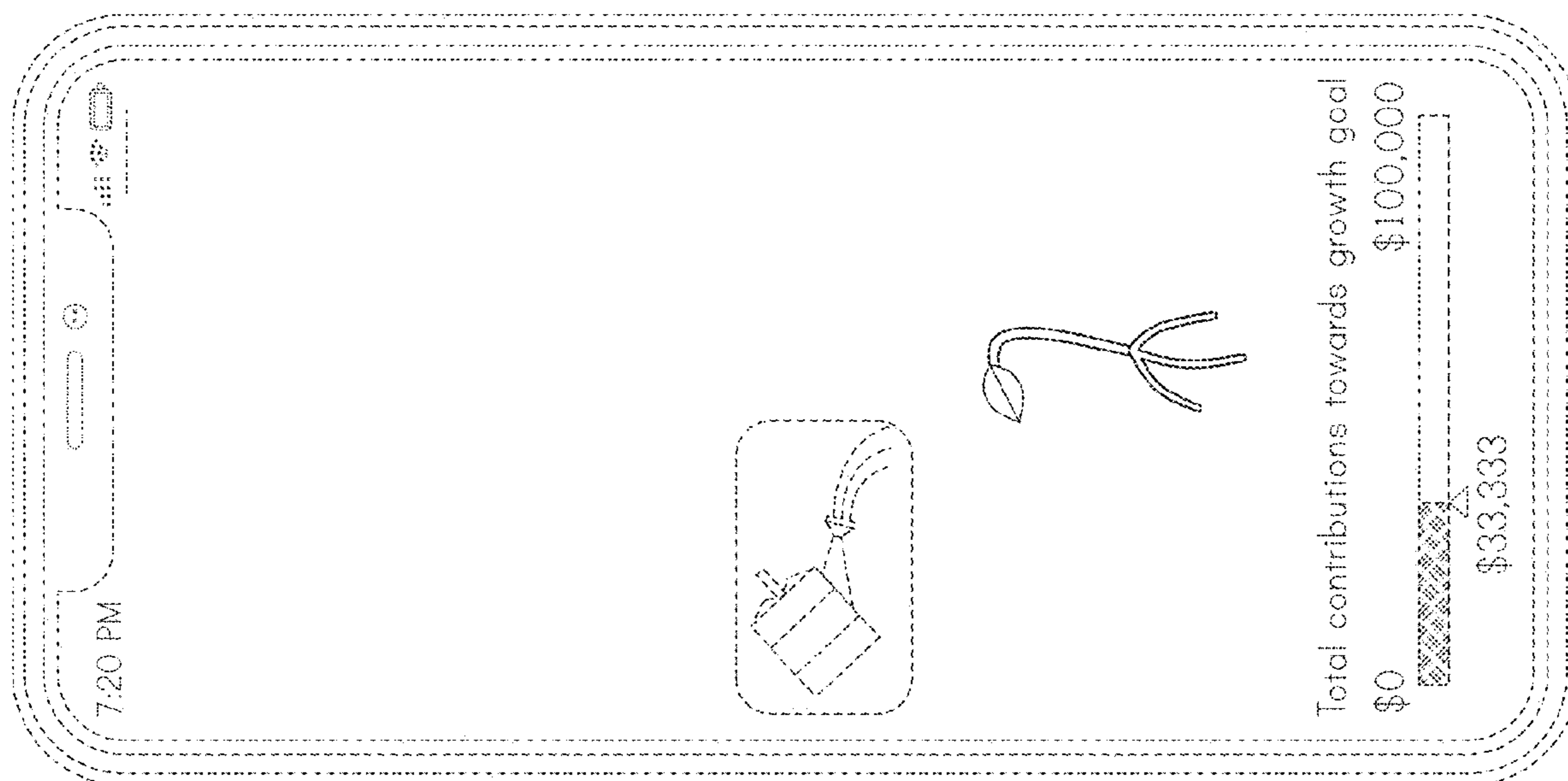
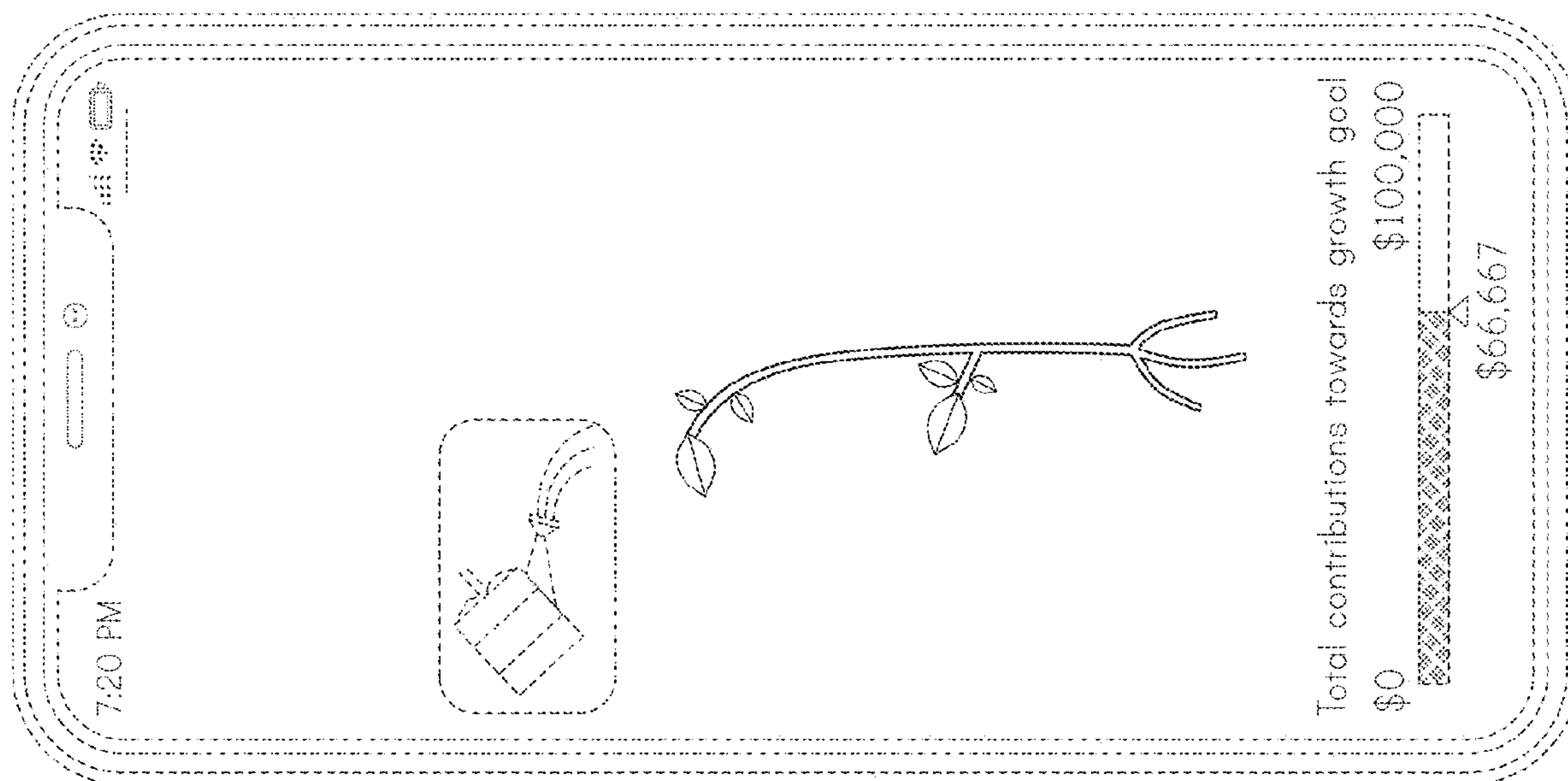
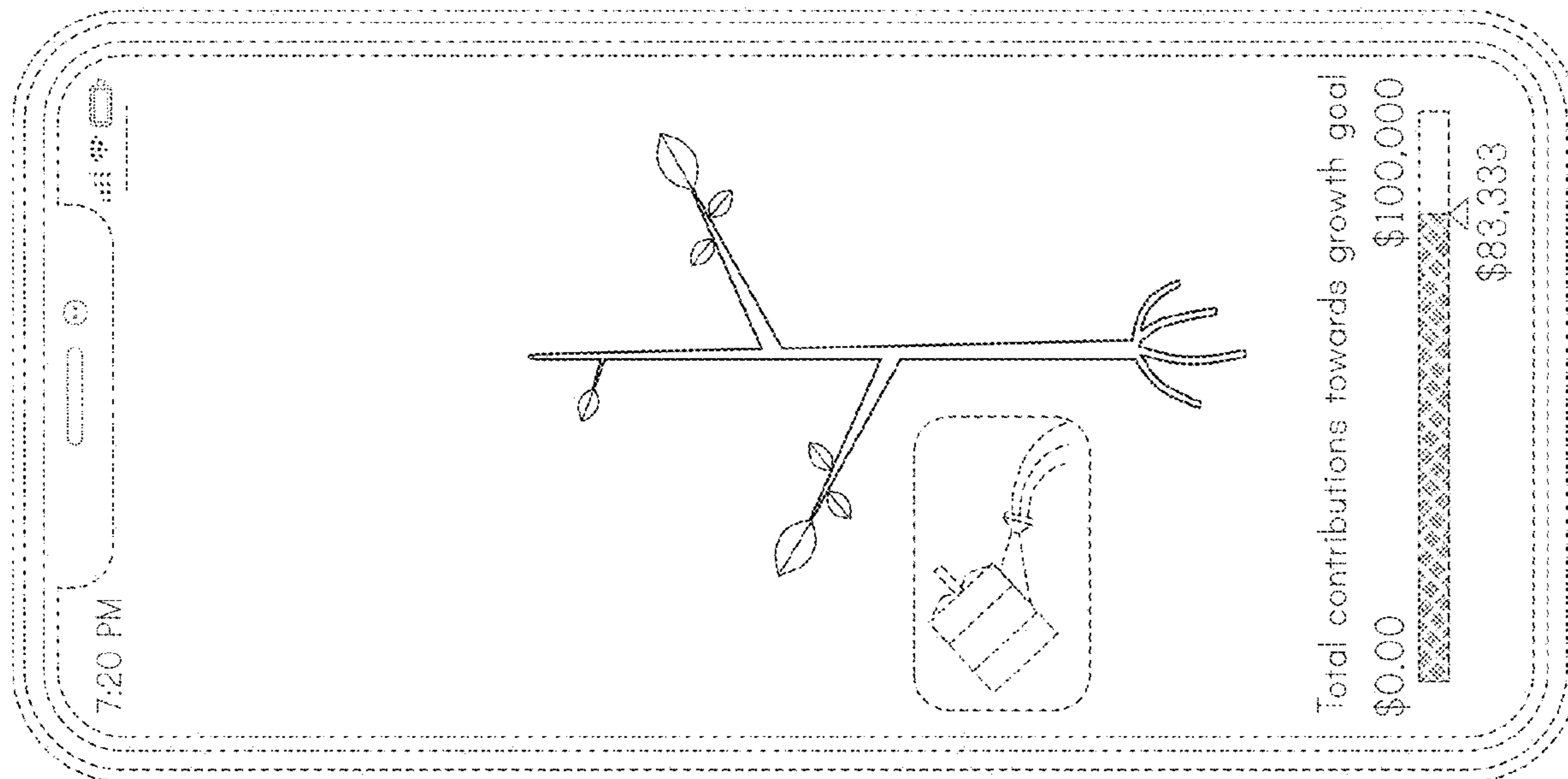


FIG. 4



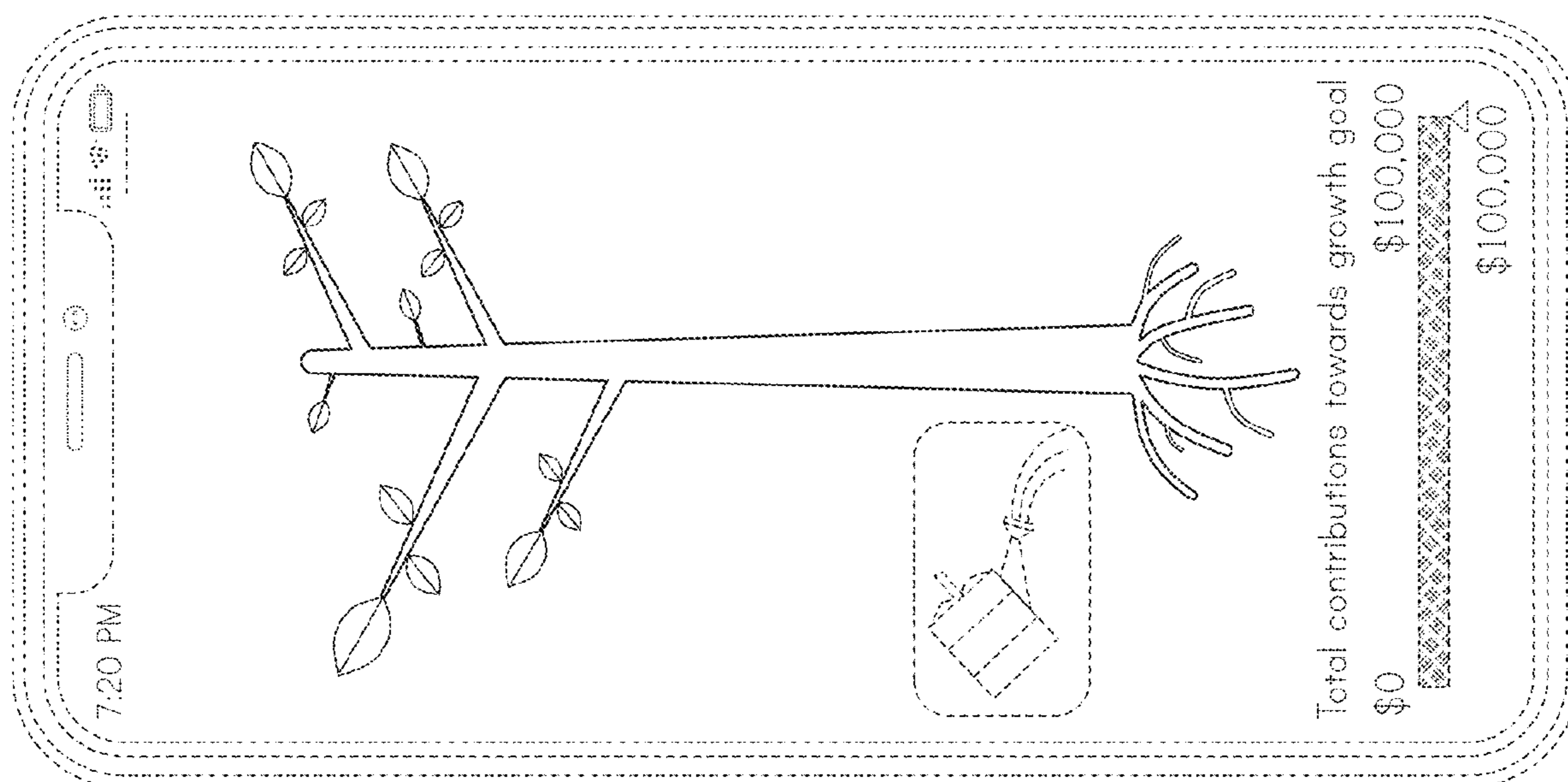


FIG. 7