



US00D928173S

(12) **United States Design Patent** (10) **Patent No.:** **US D928,173 S**
Stamatiou (45) **Date of Patent:** **** Aug. 17, 2021**

(54) **MEDIA SHARING DEVICE WITH GRAPHICAL USER INTERFACE**

D640,279 S 6/2011 Woo
D680,125 S 4/2013 Chaudhri et al.
D682,875 S 5/2013 Frijlink et al.

(Continued)

(71) Applicant: **Twitter, Inc.**, San Francisco, CA (US)

(72) Inventor: **Paul Stamatiou**, San Francisco, CA (US)

FOREIGN PATENT DOCUMENTS

EP 1667418 A2 6/2006
EP 2765767 A1 8/2014
WO 2013101211 A1 7/2013

(73) Assignee: **Twitter, Inc.**, San Francisco, CA (US)

(**) Term: **15 Years**

OTHER PUBLICATIONS

(21) Appl. No.: **29/624,342**

Twitter Announces Video Feature, by Blidner, nydailynews.com [online], published on Jan. 27, 2015, [retrieved on Nov. 5, 2019], retrieved from the Internet [URL: https://www.nydailynews.com/news/national/twitter-announces-video-feature-group-direct-messaging-article-1.2093456[Nov. 5, 2019] (Year: 2015).*

(22) Filed: **Oct. 31, 2017**

(Continued)

Related U.S. Application Data

(62) Division of application No. 29/515,838, filed on Jan. 27, 2015, now Pat. No. Des. 805,102.

(51) **LOC (13) Cl.** **14-04**

(52) **U.S. Cl.**
USPC **D14/485**

(58) **Field of Classification Search**
USPC D14/485-495; D20/10, 11, 22-33, 39, D20/40

CPC G06F 3/048-04897; G06F 17/24; H04N 1/0044; H04N 1/00196; H04N 1/00408-00437; G06T 2200/24; B41J 29/38; G03G 15/5016; G03G 15/502

See application file for complete search history.

Primary Examiner — Karen E Kearney

Assistant Examiner — Ian F Whitmore

(74) *Attorney, Agent, or Firm* — Brake Hughes Bellermann LLP

(56) **References Cited**

U.S. PATENT DOCUMENTS

D420,995 S 2/2000 Imamura et al.
D470,857 S 2/2003 Anderson et al.
6,515,704 B1 2/2003 Sato et al.
D485,279 S 1/2004 DeCombe
D576,172 S 9/2008 Kim
D614,639 S 4/2010 Vieggers et al.
D614,643 S 4/2010 Vieggers et al.
7,844,481 B2 11/2010 Hilbush et al.

(57) **CLAIM**

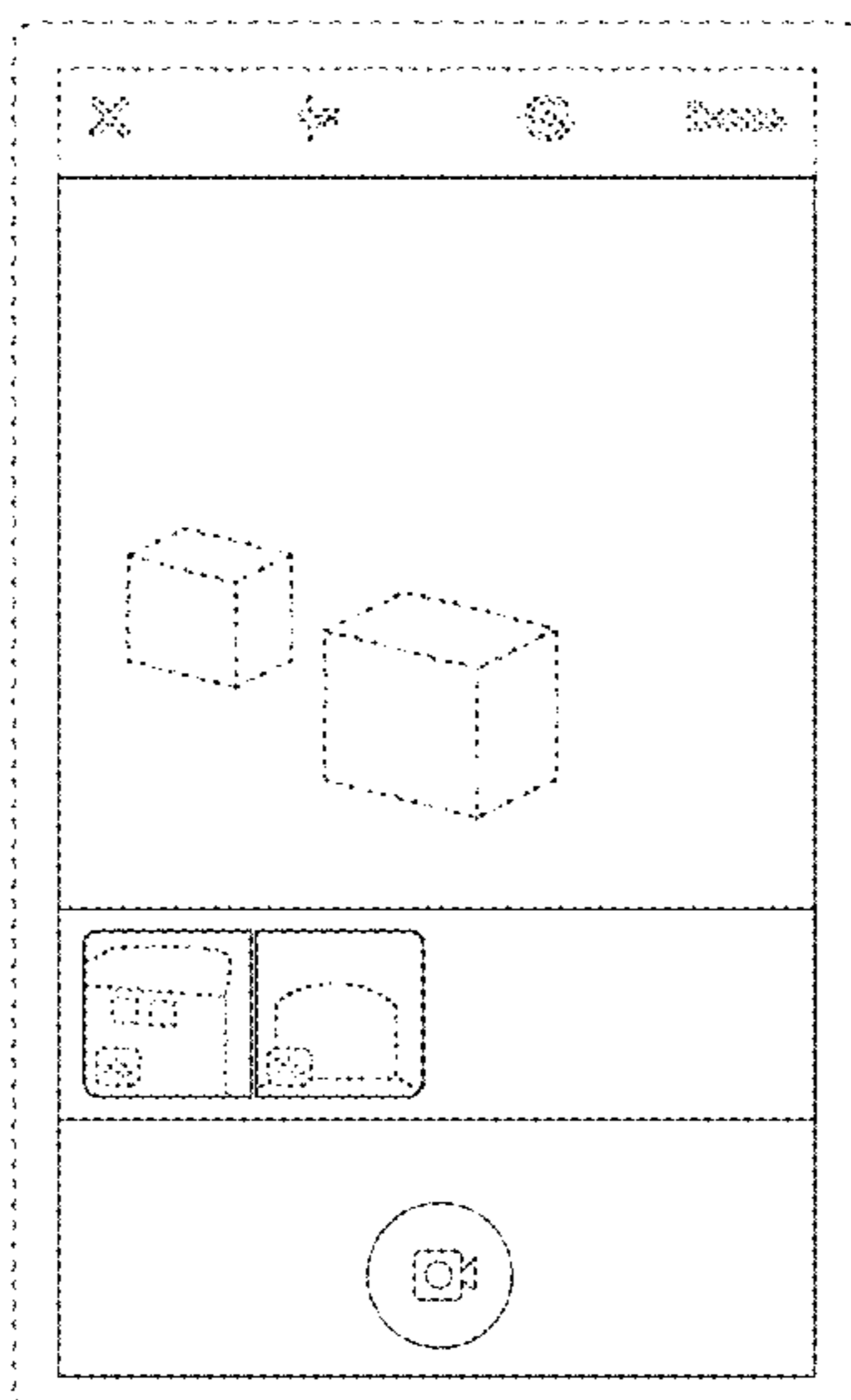
What is claimed is the ornamental design for a media sharing device with graphical user interface, as shown and described herein.

DESCRIPTION

The FIGURE is a front view of a media sharing device with graphical user interface.

The sharp-cornered rectangle shown within the outermost round-cornered rectangle illustrates the perimeter of the display screen of the media sharing device. The outermost round-cornered broken-line rectangle illustrates a media sharing device. The remaining broken lines illustrate portions of the display screen and graphical user interface. The broken lines form no part of the claimed design.

1 Claim, 1 Drawing Sheet



(56)

References Cited

U.S. PATENT DOCUMENTS

D687,446 S 8/2013 Arnold et al.
 D689,513 S 9/2013 Pearcy et al.
 8,566,722 B2 10/2013 Gordon et al.
 D697,075 S 1/2014 Waldman
 8,661,369 B2 2/2014 Heo et al.
 D704,211 S 5/2014 Agnew et al.
 8,811,948 B2 8/2014 Bandyopadhyay et al.
 8,898,184 B1 11/2014 Garman et al.
 D718,781 S 12/2014 Arnold et al.
 D726,736 S 4/2015 Udotov et al.
 D732,062 S * 6/2015 Kwon D14/487
 D732,570 S 6/2015 Choi et al.
 D733,172 S 6/2015 Angelides
 D736,237 S 8/2015 Lee et al.
 D737,298 S 8/2015 Jung
 D743,415 S 11/2015 Pfriem et al.
 9,185,062 B1 11/2015 Yang et al.
 D746,296 S 12/2015 Tanaka
 D753,674 S 4/2016 Heeter et al.
 D754,695 S 4/2016 Moon et al.
 D756,396 S 5/2016 Anzures et al.
 D758,417 S 6/2016 Chaudhri et al.
 D759,688 S 6/2016 Wu
 D760,259 S 6/2016 Watson
 D762,676 S 8/2016 Lim et al.
 D762,704 S 8/2016 Li et al.
 D763,875 S 8/2016 Yuk et al.
 D763,889 S 8/2016 Woo et al.
 D765,100 S * 8/2016 Kim D14/485
 D766,978 S 9/2016 Hwang et al.
 D768,170 S 10/2016 Watson et al.
 D768,669 S 10/2016 Pranger et al.
 D770,489 S 11/2016 Heeter et al.
 D771,080 S 11/2016 Kang et al.
 D771,087 S 11/2016 Lee et al.
 D773,498 S 12/2016 Andress et al.
 D773,522 S 12/2016 Kim et al.
 D775,158 S 12/2016 Dong et al.
 D775,651 S 1/2017 Jin
 D776,140 S 1/2017 Andress et al.
 D778,306 S 2/2017 Park et al.
 D778,944 S 2/2017 Kim
 D783,649 S 4/2017 Wu et al.
 D787,549 S 5/2017 Lee
 D788,137 S * 5/2017 Zhu D14/486
 D788,810 S 6/2017 Kim
 D789,946 S 6/2017 Sun et al.
 D789,949 S 6/2017 Sun
 D789,974 S 6/2017 Guo et al.
 D791,172 S 7/2017 Hart et al.
 D793,426 S 8/2017 Sun
 D797,769 S 9/2017 Li
 D799,518 S 10/2017 Wilson et al.
 D803,239 S 11/2017 Yuk et al.
 D805,102 S 12/2017 Stamatiou
 D809,004 S 1/2018 Ishitsuka
 D812,623 S 3/2018 Asai et al.
 D814,493 S 4/2018 Brody
 D815,656 S * 4/2018 Price D14/486
 D819,636 S 6/2018 Chen et al.
 D819,646 S 6/2018 Jow et al.
 D825,590 S 8/2018 Sagrillo et al.
 D828,375 S 9/2018 Mok et al.
 D829,240 S 9/2018 Rowny et al.
 D832,884 S 11/2018 Clediere
 D837,236 S 1/2019 Choi
 D849,039 S 5/2019 Huh et al.
 D851,654 S 6/2019 Bae et al.
 D851,671 S * 6/2019 Deets, Jr. D14/487
 D858,546 S 9/2019 Haile et al.
 D860,220 S 9/2019 Gupta
 D861,010 S 9/2019 Anzures et al.
 D861,715 S 10/2019 Haile et al.
 D863,332 S 10/2019 Choi et al.
 D868,824 S 12/2019 Chen

D870,140 S * 12/2019 Kane D14/487
 D872,106 S 1/2020 Sakuma
 D872,110 S 1/2020 Clediere et al.
 D872,742 S 1/2020 Park et al.
 D873,839 S * 1/2020 Yan D14/485
 D874,504 S 2/2020 Clediere
 D874,510 S * 2/2020 Zeng D14/488
 D875,111 S * 2/2020 Clediere D14/485
 D875,115 S 2/2020 Yan
 D875,762 S 2/2020 Evans et al.
 D877,175 S 3/2020 Caro et al.
 D877,750 S * 3/2020 Stamatiou D14/485
 D879,124 S 3/2020 Carpenter
 D879,804 S * 3/2020 Corona D14/485
 D879,817 S 3/2020 Evans et al.
 D881,227 S 4/2020 Elgena et al.
 D882,594 S * 4/2020 Yan D14/485
 D888,081 S * 6/2020 Stamatiou D14/486
 D888,094 S * 6/2020 Elgena D14/489
 D890,203 S * 7/2020 Zhu D14/487
 D892,140 S 8/2020 Clediere et al.
 D892,158 S * 8/2020 Jedrzejowicz D14/488
 D893,539 S 8/2020 Zhang
 D894,953 S 9/2020 Kane et al.
 D910,696 S * 2/2021 Lee D14/488
 D912,695 S * 3/2021 Zhao D14/486
 D913,304 S * 3/2021 VanDuyn D14/486
 2006/0036959 A1 2/2006 Heatherly et al.
 2006/0177153 A1 8/2006 King et al.
 2007/0118813 A1 5/2007 Forstall et al.
 2010/0302409 A1 12/2010 Matas et al.
 2011/0078050 A1 3/2011 Schwartz et al.
 2011/0289435 A1 11/2011 Kim et al.
 2012/0009896 A1 1/2012 Bandyopadhyay et al.
 2012/0123915 A1 5/2012 Risnoveanu et al.
 2012/0192074 A1 7/2012 Patterson et al.
 2012/0297342 A1 11/2012 Jang et al.
 2013/0073985 A1 3/2013 Hamlin et al.
 2013/0132854 A1 * 5/2013 Raleigh G06F 3/0482
 715/738
 2013/0139109 A1 5/2013 Kim et al.
 2013/0181045 A1 7/2013 Dessert et al.
 2014/0189608 A1 7/2014 Shuttleworth et al.
 2014/0191986 A1 7/2014 Kim et al.
 2014/0223376 A1 * 8/2014 Tarvainen H04N 5/23216
 715/833
 2014/0280567 A1 9/2014 Kang et al.
 2015/0052462 A1 * 2/2015 Kulkarni G06F 3/04817
 715/765
 2015/0058150 A1 * 2/2015 Gura G06Q 30/0601
 705/26.3
 2015/0062097 A1 * 3/2015 Chung G06F 1/1626
 345/184
 2015/0074504 A1 3/2015 Iori et al.
 2015/0156552 A1 * 6/2015 Wayans H04N 21/47205
 386/230
 2015/0180914 A1 6/2015 Welinder et al.
 2015/0188720 A1 7/2015 Winter
 2016/0077717 A1 3/2016 Hur
 2016/0125842 A1 * 5/2016 Weinberg G06F 9/451
 345/629
 2016/0216871 A1 7/2016 Stamatiou
 2016/0248840 A1 * 8/2016 Bockhold H04N 5/23216
 2016/0364687 A1 12/2016 Matson et al.
 2017/0228127 A1 * 8/2017 Mukherjee G06F 9/451
 2017/0332221 A1 11/2017 Lebeau et al.
 2018/0039469 A1 2/2018 Han et al.
 2018/0237140 A1 * 8/2018 Li G08C 17/02
 2018/0241948 A1 8/2018 Jang et al.
 2019/0037173 A1 * 1/2019 Lee H04W 76/15
 2019/0205010 A1 7/2019 Fujii et al.

OTHER PUBLICATIONS

Facebook Adds Video Instagram App, by Woollaston, dailymail.co.uk [online], published on Jun. 20, 2013, [retrieved on Nov. 9, 2019], retrieved from the Internet [URL: <https://www.dailymail.co.uk/>]

(56)

References Cited

OTHER PUBLICATIONS

sciencetech/article-2345281/Facebook-adds-video-Instagram-app-bid-rival-Vine.html] (Year: 2013).*

How to Prototype iOS Apps Using Xcode and Storyboards, hackbrightacademy [online], published on Jan. 18, 2014, [retrieved on Nov. 9, 2019], retrieved from the Internet [URL: <https://hackbrightacademy.com/blog/prototype-ios-apps-with-xcode-storyboards/>] (Year: 2014).*

Official Vine App Comes to Windows Phone Store, by Nayan, nokiapoweruser.com [online], published on Nov. 12, 2013, [retrieved on Nov. 6, 2019], retrieved from the Internet [URL: <https://nokiapoweruser.com/official-vine-app-comes-to-windows-phone-store-features-and-download-link/>] (Year: 2013).*

MixBit, by King, androidpolice.com [online], published on Oct. 3, 2013, [retrieved on Nov. 6, 2019], retrieved from the Internet [URL: <https://www.androidpolice.com/2013/10/03/new-app-mixbit-a-company-founded-by-youtube-co-founders-releases-collaborative-video-editing-app-into-the-play-store/>] (Year: 2013).*

Ali, "Nokia N9 Review: A Complete Walk Through: Meego/Harmattan Software and User Interface/Experience", posted Sep. 12, 2011, retrieved on Jul. 16, 2017 from <http://techprolonged.com/2011/11/nokia-n9-a-complete-walk-through-mee-go-harmattan-software-and-user-interface-experience/>, 3 pages.

Mina, "The New Twitter Interface, courtesy of fly.twitter.com", posted Dec. 10, 2011, retrieved on Jul. 16, 2017 from http://www.88-bar.com/2011/12/is-twitter-catching-up-to-weibo-multimedia-and-emoji-in-western-social-media/section_home_web_en/, 1 page.

Mittal, "Twitter Mobile Apps for Android and iOS Updated With Support for Login Verification", posted Aug. 6, 2013, retrieved on Jul. 16, 2017 from <https://techwhack.co/twitter-mobile-apps-android-ios-updated-support-login-verification/>, 2 pages.

International Search Report and Written Opinion for PCT Application No. PCT/US2016/015222, dated Jul. 20, 2016, 17 pages.

Blidner, "Twitter Announces Video Feature", nydailynews.com, retrieved from <https://www.nydailynews.com/news/national/twitter-announces-video-feature-group-direct-messaging-article-1.2093456>, Jan. 27, 2015, 1 page.

Kahn, "Instagram Gets Five New Filters", 9to5mac.com, retrieved from <https://9to5mac.com/2014/12/16/instagram-gets-5-new-filters-slo-mo-video-uploads-real-time-commenting-more/>, Dec. 16, 2014, 1 page.

Gliddon, "Shoot Video/Select Filter", dribbble.com, retrieved on Nov. 7, 2019 from <https://dribbble.com/shots/1757357-Shoot-Video-Select-Filter/attachments/285678>, Aug. 4, 2014, 2 pages.

Inside Galaxy, "Samsung Galaxy S5", inside-galaxy.blogspot.com, retrieved on Mar. 31, 2016 from <http://inside-galaxy.blogspot.com/2014/08/samsung-galaxy-s5-how-to-change-volume.html>, Aug. 23, 2014, 5 pages.

King, Jr., "MixBit", retrieved on Nov. 5, 2019 from <https://www.androidpolice.com/2013/10/03/new-app-mixbit-a-company-founded-by-youtube-co-founders-releases-collaborative-video-editing-app-into-the-play-store>, 2013, 1 page.

Miser, "Configuring an iPhone to Suit Your Preferences", retrieved on Nov. 11, 2019 from www.informit.com/articles/article.aspx?p=2262895, Nov. 28, 2014, 2 pages.

Nayan, "Official Vine App Comes to Windows Phone Store", nokiapoweruser.com, retrieved from <https://nokiapoweruser.com/official-vine-app-comes-to-windows-phone-store-features-and-download-link/>, Nov. 12, 2013, 1 page.

Patrickj, "Reel Director=Video Editing App for the iPhone 3GS", retrieved on Nov. 6, 2019 from source.com/2009/10/20/reel-director-video-editing-app-for-the-iphone-3gs/, Oct. 20, 2009, 1 page.

Rapacciuolo, "Recording Video", dribbble.com, retrieved on Nov. 7, 2019 from <https://dribbble.com/shots/1666815-Recording-Video>, Aug. 1, 2014, 4 pages.

Vanhemert, "Vine's New Editing Features Could Unleash a Creative Boom", Wired, retrieved on Nov. 5, 2019 from <https://www.wired.com/2013/10/how-vines-new-editing-features-let-you-travel-through-time/>, Oct. 29, 2013, 2 pages.

* cited by examiner

