



US00D928171S

(12) **United States Design Patent**
Huang et al.

(10) **Patent No.:** **US D928,171 S**

(45) **Date of Patent:** **** Aug. 17, 2021**

(54) **FOLDABLE STAND**

(71) Applicant: **Hangzhou Rejoin Tech Co., Ltd.**,
Hangzhou (CN)

(72) Inventors: **Yihao Huang**, Hangzhou (CN); **Xiang Li**, Hangzhou (CN); **Wei Zhu**, Hangzhou (CN)

(73) Assignee: **Hangzhou Rejoin Tech Co., Ltd.**,
Hangzhou (CN)

(**) Term: **15 Years**

(21) Appl. No.: **29/687,851**

(22) Filed: **Apr. 16, 2019**

(51) **LOC (13) Cl.** **08-07**

(52) **U.S. Cl.**
USPC **D14/447**

(58) **Field of Classification Search**
USPC D14/447, 432, 434, 439, 440, 451, 452,
D14/457, 239, 253; D8/363, 373, 380;
D6/406.3, 406.4, 406.5, 406.6; D12/415
CPC A47B 21/04; A47B 2097/006; A47B
2097/005; A47B 2023/049; A45C
2011/002; A45C 2011/003; F16M
2200/00; F16M 13/00
See application file for complete search history.

(56) **References Cited**

U.S. PATENT DOCUMENTS

D576,168 S * 9/2008 Ostroff D14/447
D644,230 S * 8/2011 Lin D14/447

D656,500 S * 3/2012 Maruyama D14/447
D673,961 S * 1/2013 Matsui D14/447
D678,886 S * 3/2013 Heckler D14/447
D705,785 S * 5/2014 Wang D14/447
D721,710 S * 1/2015 Messing D14/447
D755,796 S * 5/2016 Gibson D14/447
D804,490 S * 12/2017 Wei D14/447
D833,447 S * 11/2018 Zhang D14/447
D864,974 S * 10/2019 Groiss D14/447
D892,123 S * 8/2020 Campbell D14/434
D906,347 S * 12/2020 Yang D14/447

* cited by examiner

Primary Examiner — Angela J Lee

(74) *Attorney, Agent, or Firm* — Schwegman Lundberg & Woessner, P.A.

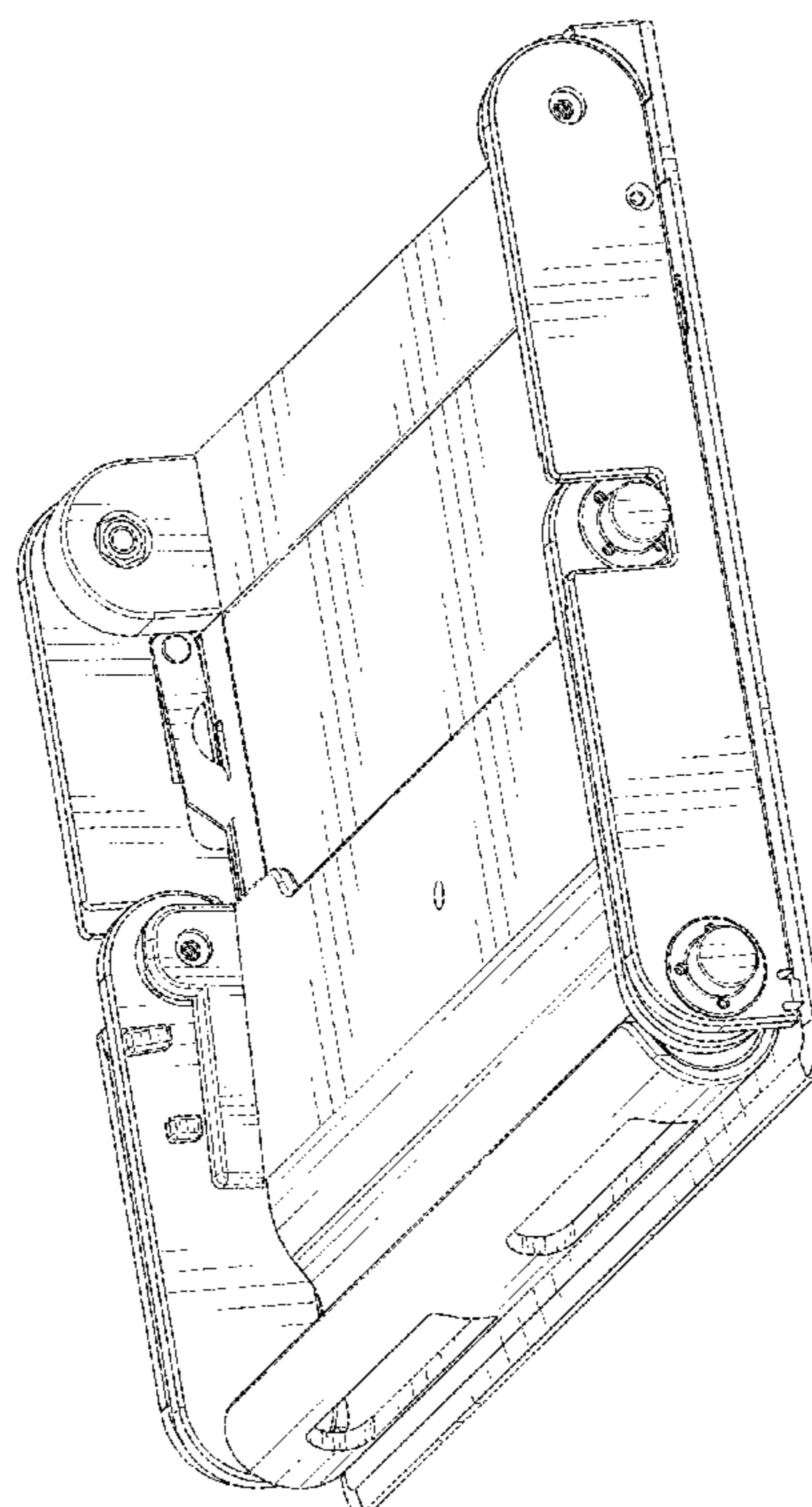
(57) **CLAIM**

The ornamental design for a foldable stand, as shown and described.

DESCRIPTION

FIG. 1 is a front elevational view of a foldable stand in a closed position showing my our new design;
FIG. 2 is a front elevational view of the foldable stand in an open position;
FIG. 3 is a front view thereof, but showing an alternate position;
FIG. 4 is a rear view thereof;
FIG. 5 is a right view thereof, but showing the foldable stand in the open position;
FIG. 6 is a top plan view thereof, but showing the foldable stand in the closed position; and,
FIG. 7 is a bottom plan view thereof.

1 Claim, 7 Drawing Sheets



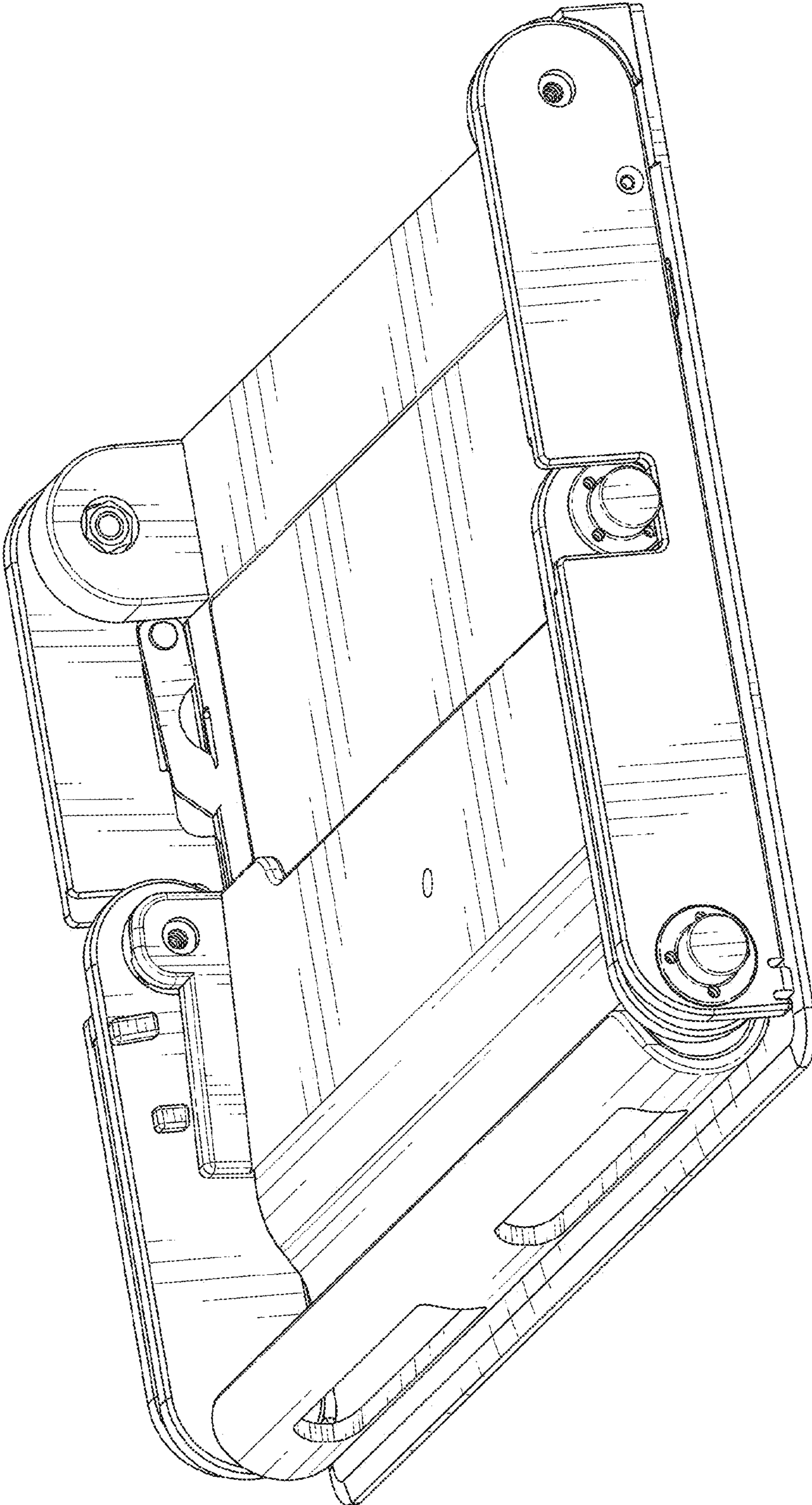


FIG. 1

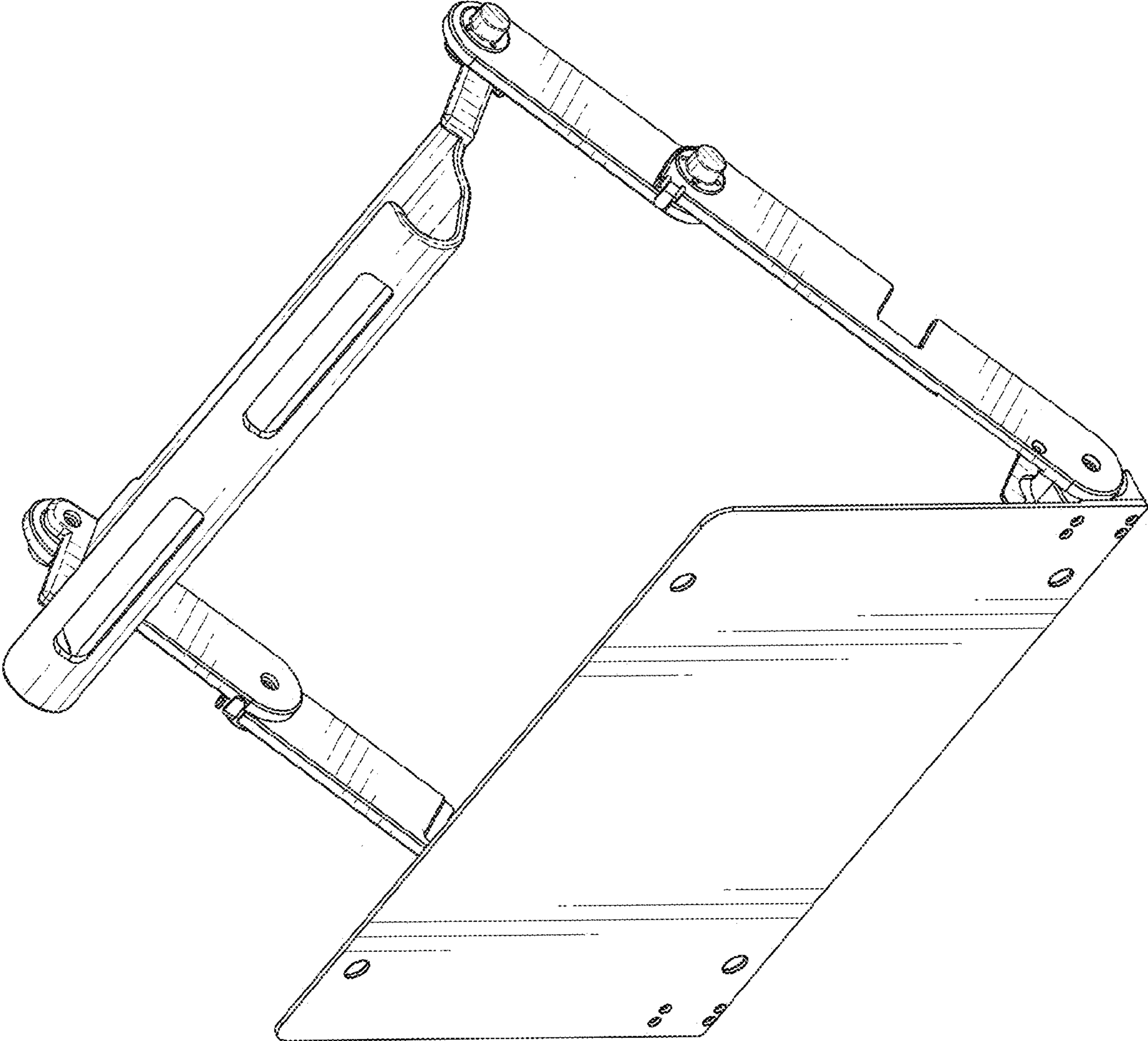


FIG. 2

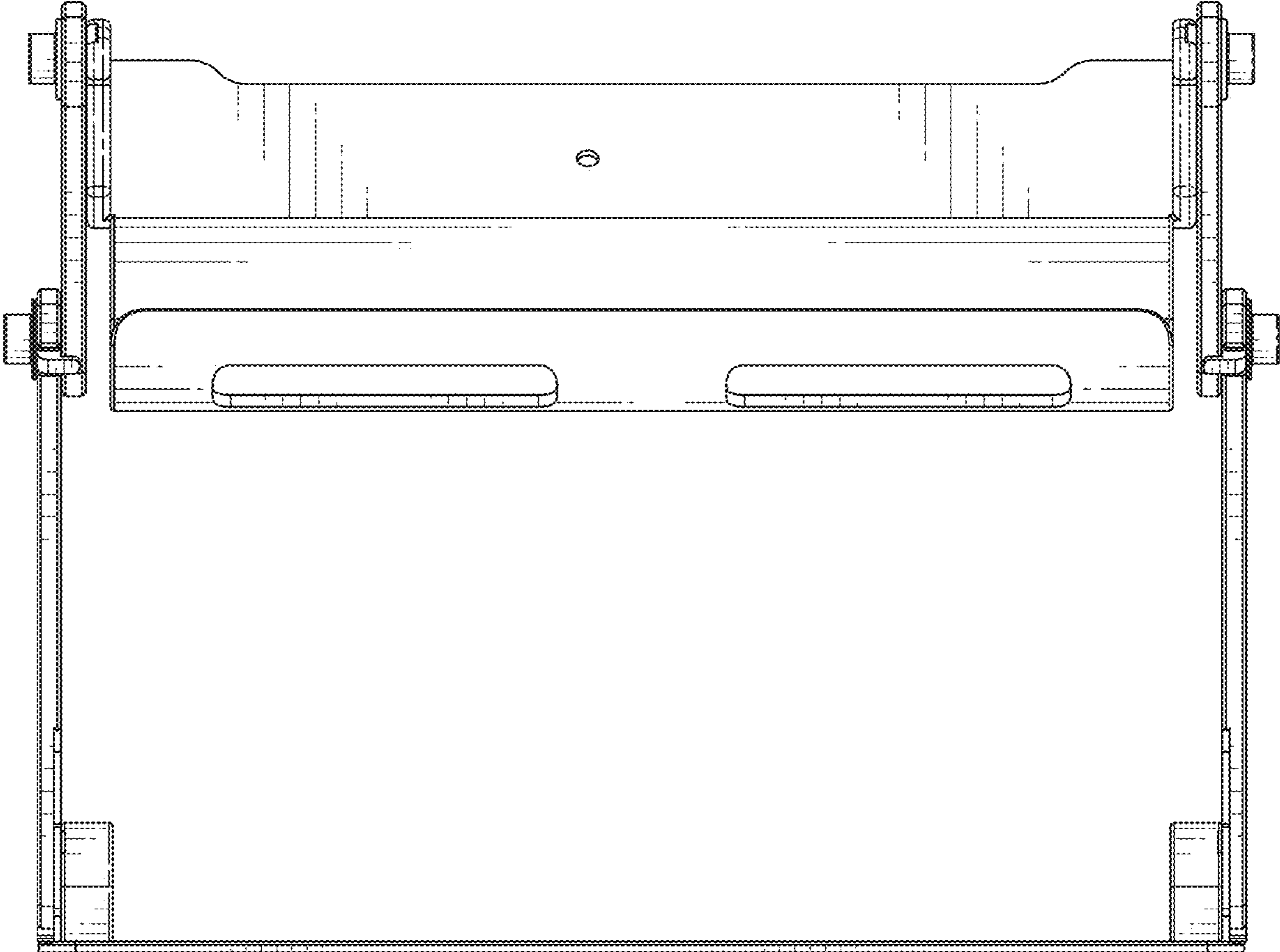


FIG. 3

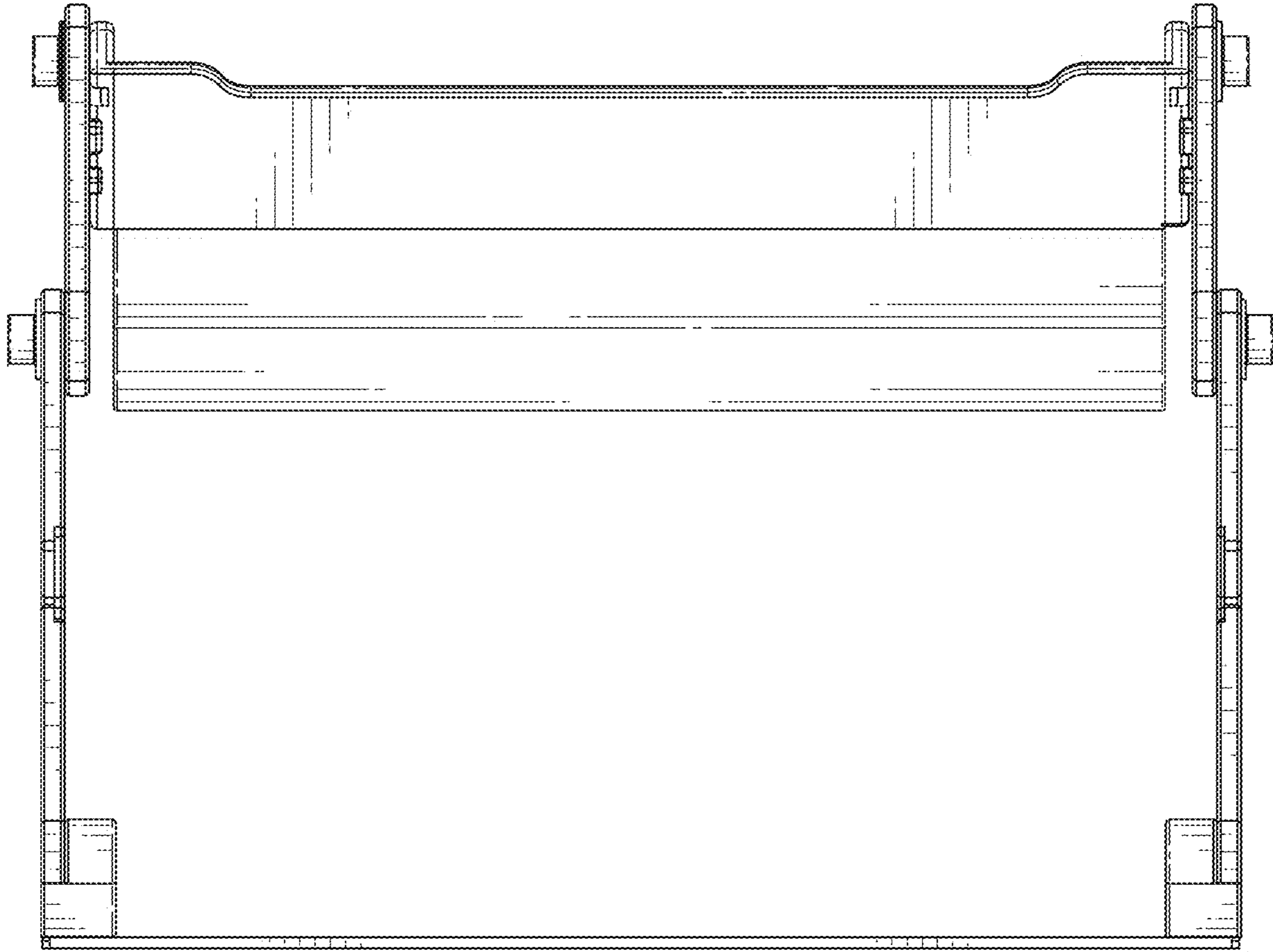


FIG. 4

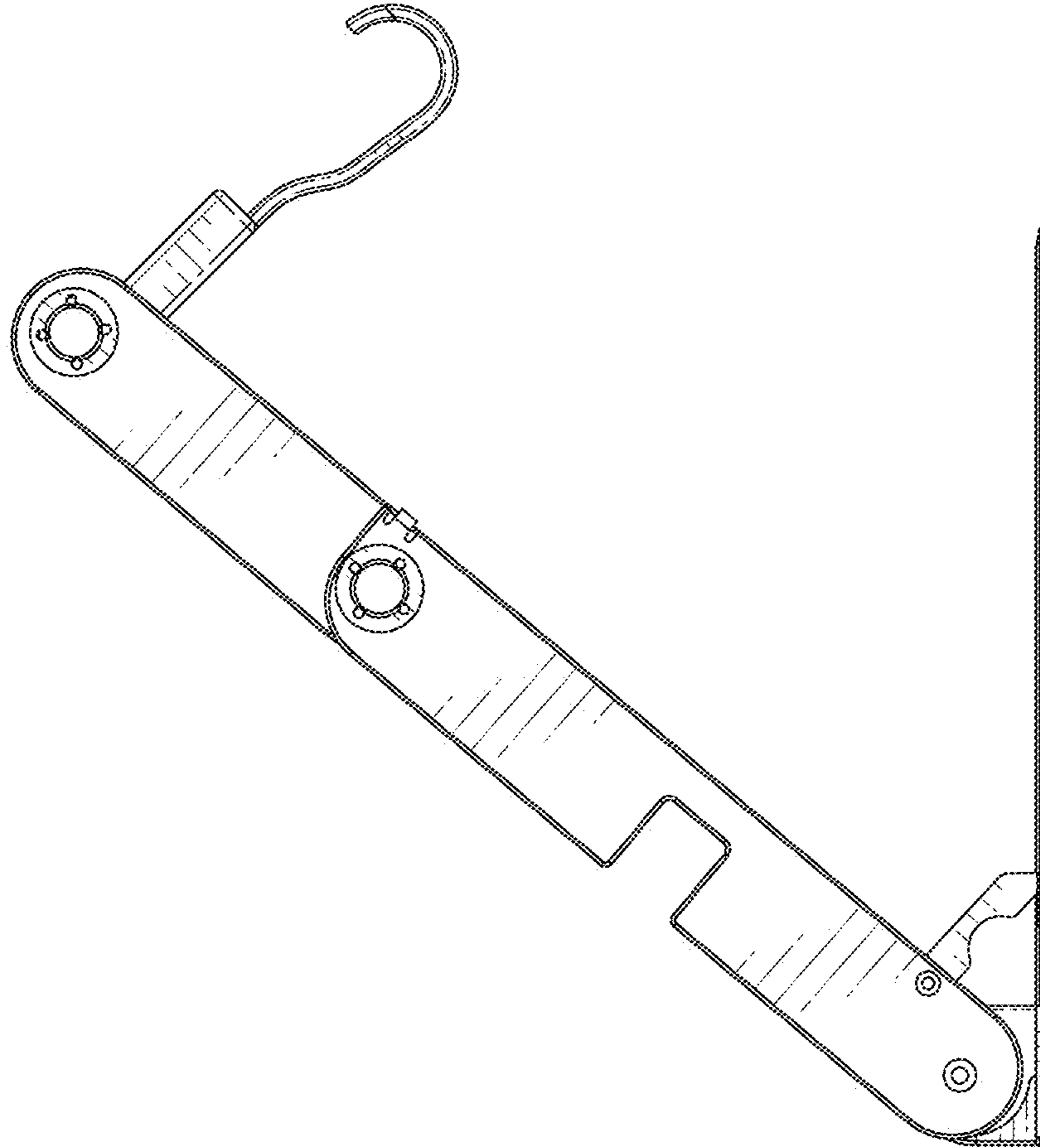


FIG. 5

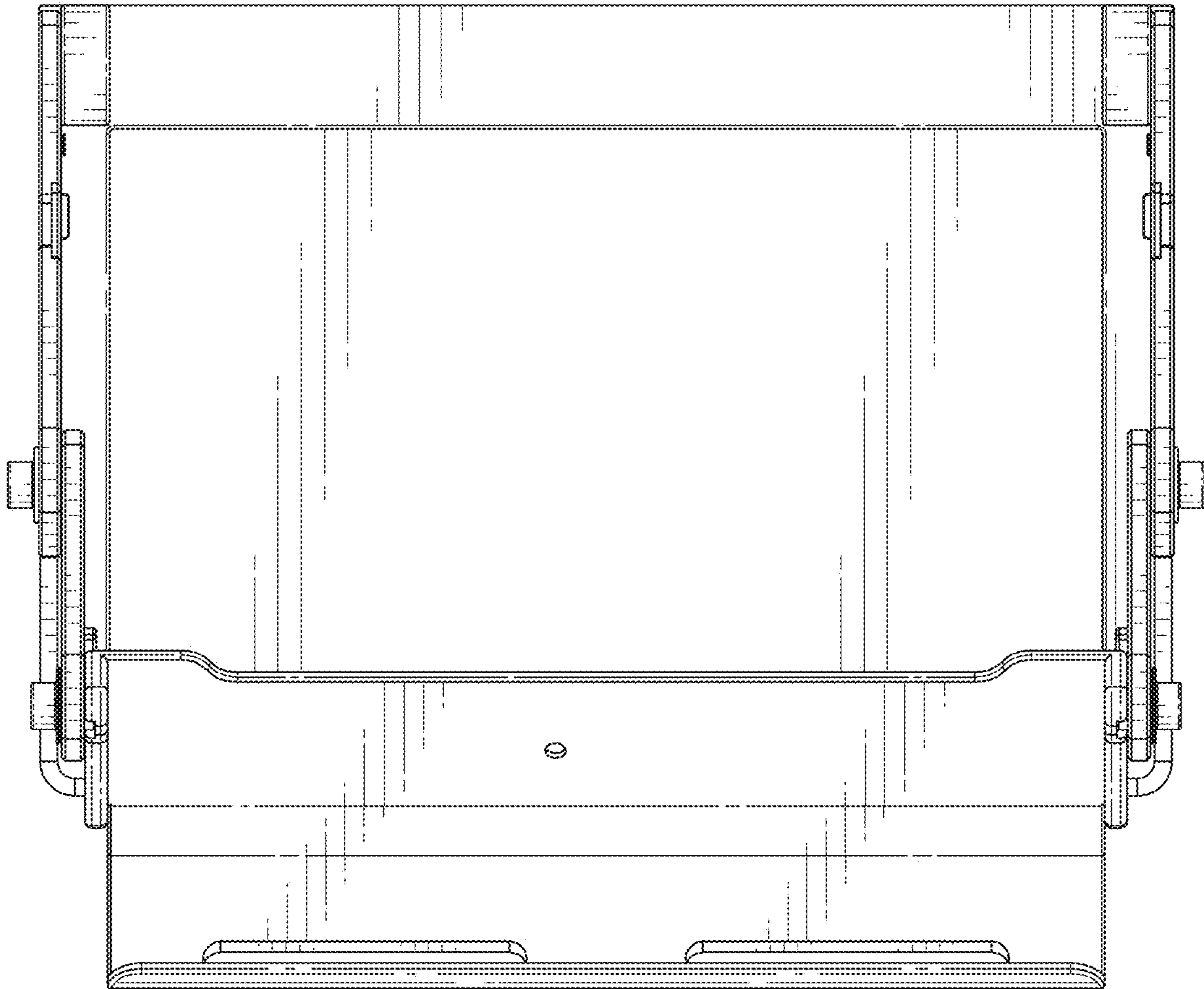


FIG. 6

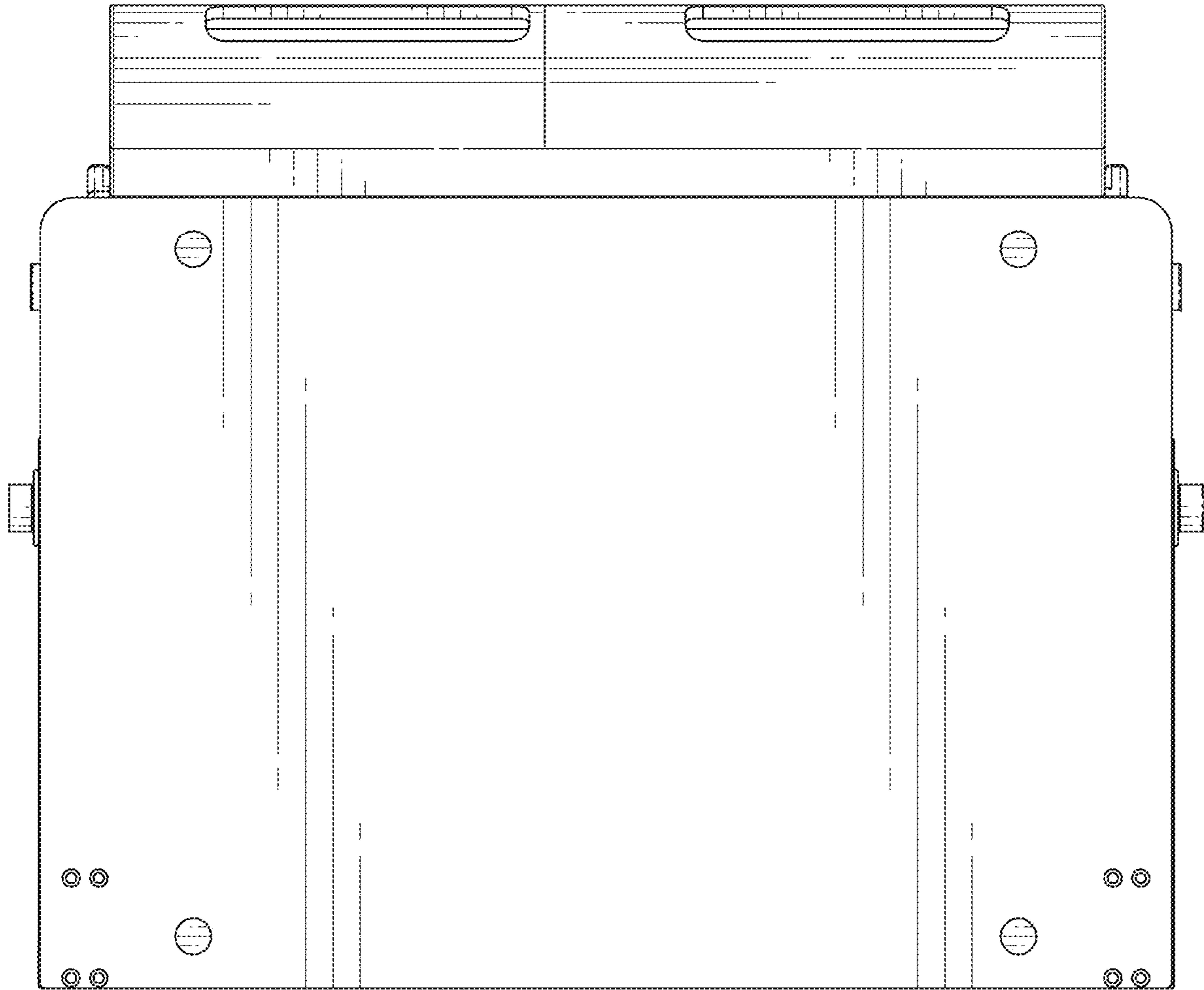


FIG. 7