



US00D928169S

(12) **United States Design Patent** (10) **Patent No.:** **US D928,169 S**  
**Chiu** (45) **Date of Patent:** **\*\* Aug. 17, 2021**

(54) **INFORMATION HANDLING SYSTEM BEZEL**

(71) Applicant: **Dell Products L.P.**, Round Rock, TX (US)

(72) Inventor: **Cheng-Chia Chiu**, Taipei (TW)

(73) Assignee: **Dell Products L.P.**, Round Rock, TX (US)

(\*\*) Term: **15 Years**

(21) Appl. No.: **29/703,554**

(22) Filed: **Aug. 28, 2019**

(51) **LOC (13) Cl.** ..... **14-02**

(52) **U.S. Cl.**  
USPC ..... **D14/441**

(58) **Field of Classification Search**  
USPC ..... D14/140.1, 140.2, 140.3, 219, 240, 242,  
D14/301-302, 308, 311-312, 348-349,  
D14/351-359, 440-442, 444-446, 450;  
D13/103, 110-112, 122, 158-160, 184;  
D23/193, 209, 224, 364-366, 388, 392,  
D23/449-450  
CPC . G06F 1/181; H05K 5/00; H05K 5/03; H05K  
5/04

See application file for complete search history.

(56) **References Cited**

**U.S. PATENT DOCUMENTS**

D118,237 S \* 12/1939 Hersey ..... D7/591  
D154,978 S \* 8/1949 Baud ..... D9/432  
D179,692 S \* 2/1957 Malis ..... D23/210  
D243,253 S \* 2/1977 Ballantyne ..... D14/219

(Continued)

**FOREIGN PATENT DOCUMENTS**

CN 305028076 \* 2/2019  
CN 305391582 \* 10/2019

**OTHER PUBLICATIONS**

Inspiron Desktop, Dell, dell.com, author and date unlisted © 2021 Dell, online, site visited Mar. 15, 2021. Available at URL: https://www.dell.com/en-us/work/shop/desktops-all-in-one-pcs/inspiron-desktop/spd/inspiron-3880-desktop/smi3880w10ps2025 (Year: 2021).\*

(Continued)

*Primary Examiner* — Lakiya G Rogers

*Assistant Examiner* — Altaira J Swangin

(74) *Attorney, Agent, or Firm* — Zagorin Cave LLP;

Robert W. Holland

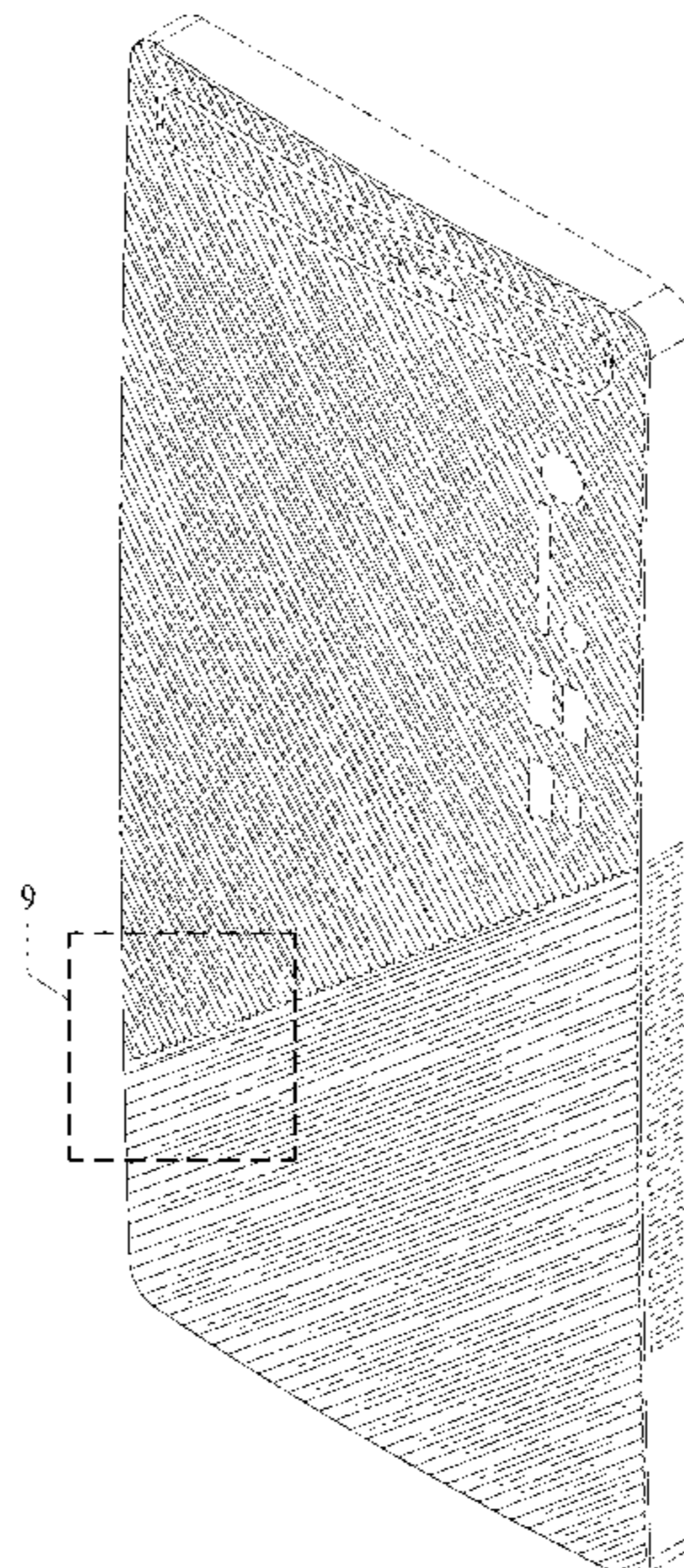
(57) **CLAIM**

I claim the ornamental design for an information handling system bezel, as shown and described.

**DESCRIPTION**

FIG. 1 is a front perspective view of the information handling system bezel comprising the present invention; FIG. 2 is a front elevation view thereof; FIG. 3 is a rear elevation view thereof; FIG. 4 is a right side view thereof; FIG. 5 is a left side view thereof; FIG. 6 is a top view thereof; FIG. 7 is a bottom view thereof; FIG. 8 is an upper front perspective view thereof shown with environment; FIG. 9 is a detailed view thereof as identified in FIG. 1; and, FIG. 10 is a detailed view thereof as identified in FIG. 2. Broken lines shown in the drawings illustrate portions of the information handling system bezel, and form no part of the claimed design. The broken lines showing the rest of the information handling system in FIG. 8 illustrate environment and form no part of the claimed design. The broken lines in FIGS. 9-10 are boundaries of the views and form no part thereof.

**1 Claim, 7 Drawing Sheets**



(56)

References Cited

U.S. PATENT DOCUMENTS

4,619,368 A \* 10/1986 Kappelt, Jr. .... H05K 13/0069  
 206/449  
 D295,440 S \* 4/1988 Tominaga ..... D23/210  
 D317,445 S \* 6/1991 Sacherman ..... D14/353  
 D334,618 S \* 4/1993 Gilderleeve ..... D23/328  
 D342,724 S \* 12/1993 Yurkonis ..... D14/353  
 D350,116 S \* 8/1994 Zeiszler ..... D14/349  
 D366,106 S \* 1/1996 Yamamoto ..... D23/365  
 D370,211 S \* 5/1996 Lee ..... D14/349  
 D383,728 S \* 9/1997 Yurkonis ..... D14/351  
 D384,042 S \* 9/1997 Antonczak ..... D14/354  
 D404,029 S \* 1/1999 Fu ..... D14/446  
 D409,739 S \* 5/1999 Hood ..... D23/365  
 D432,136 S \* 10/2000 Jean ..... D14/444  
 D473,964 S \* 4/2003 Crisp ..... D26/52  
 D626,832 S \* 11/2010 Zutler ..... D9/432  
 D626,834 S \* 11/2010 Zutler ..... D9/432  
 D634,557 S \* 3/2011 Lewis ..... D6/300  
 D697,402 S \* 1/2014 Rosi ..... D9/432

D768,625 S 10/2016 Lucaci et al.  
 D769,863 S \* 10/2016 Little ..... D14/300  
 D794,016 S 8/2017 Probst et al.  
 D816,669 S 5/2018 Jasinski  
 D835,615 S \* 12/2018 Lim ..... D14/240  
 D837,073 S \* 1/2019 Behar ..... D10/70  
 D852,160 S \* 6/2019 Chen ..... D14/168  
 D881,186 S \* 4/2020 Peng ..... D14/349  
 D902,924 S \* 11/2020 Behar ..... D14/349  
 D904,399 S \* 12/2020 Behar ..... D14/349  
 D910,027 S \* 2/2021 Kawano ..... D14/444  
 2018/0329457 A1 \* 11/2018 Fairchild ..... G06F 1/187

OTHER PUBLICATIONS

Matrexx 40 Micro-ATX Chassis, DeepCool, hexus.net, author unlisted, published Dec. 8, 2020 © 1998-2021 Hexus.net, online, site visited Mar. 15, 2021. Available at URL: <https://hexus.net/tech/news/chassis/147087-deepcool-matrexx-40-micro-atx-chassis-unveiled/> (Year: 2020).\*

\* cited by examiner



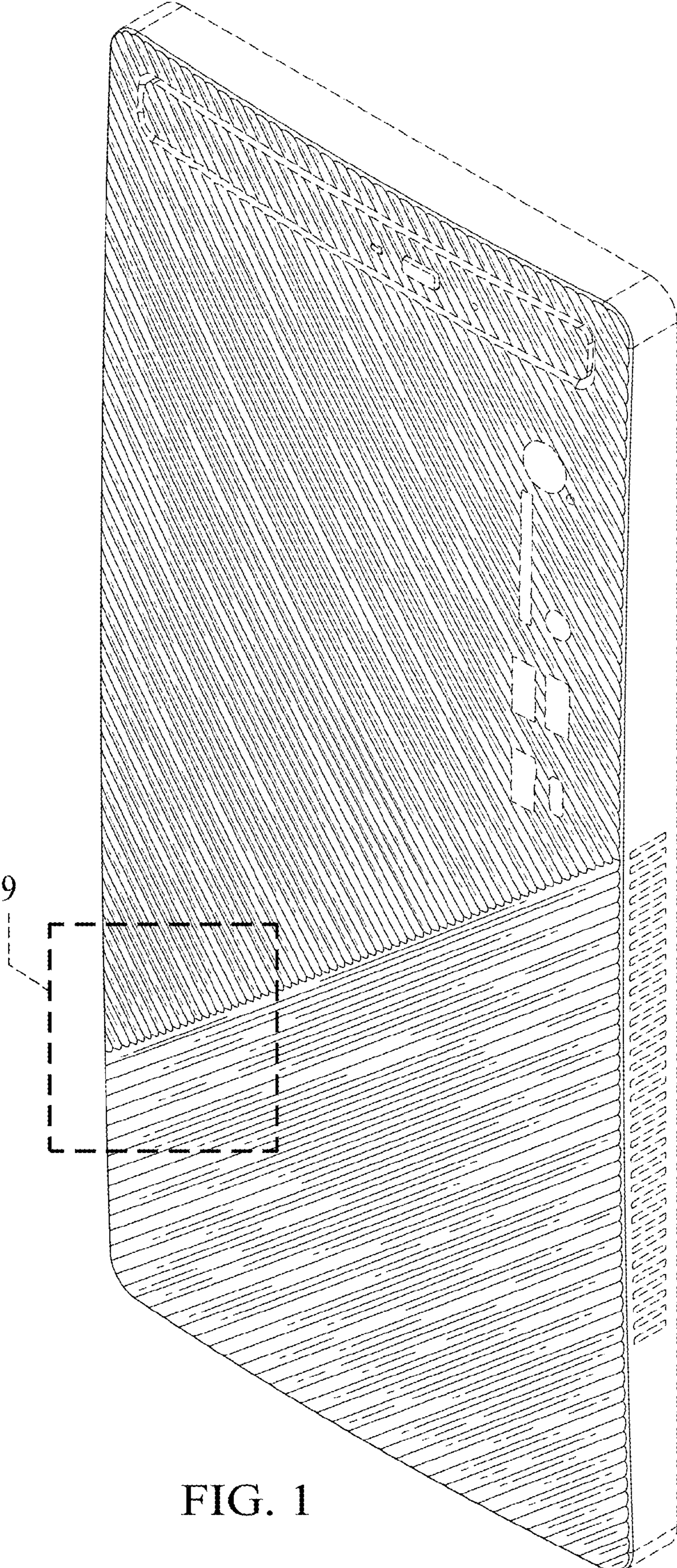


FIG. 1



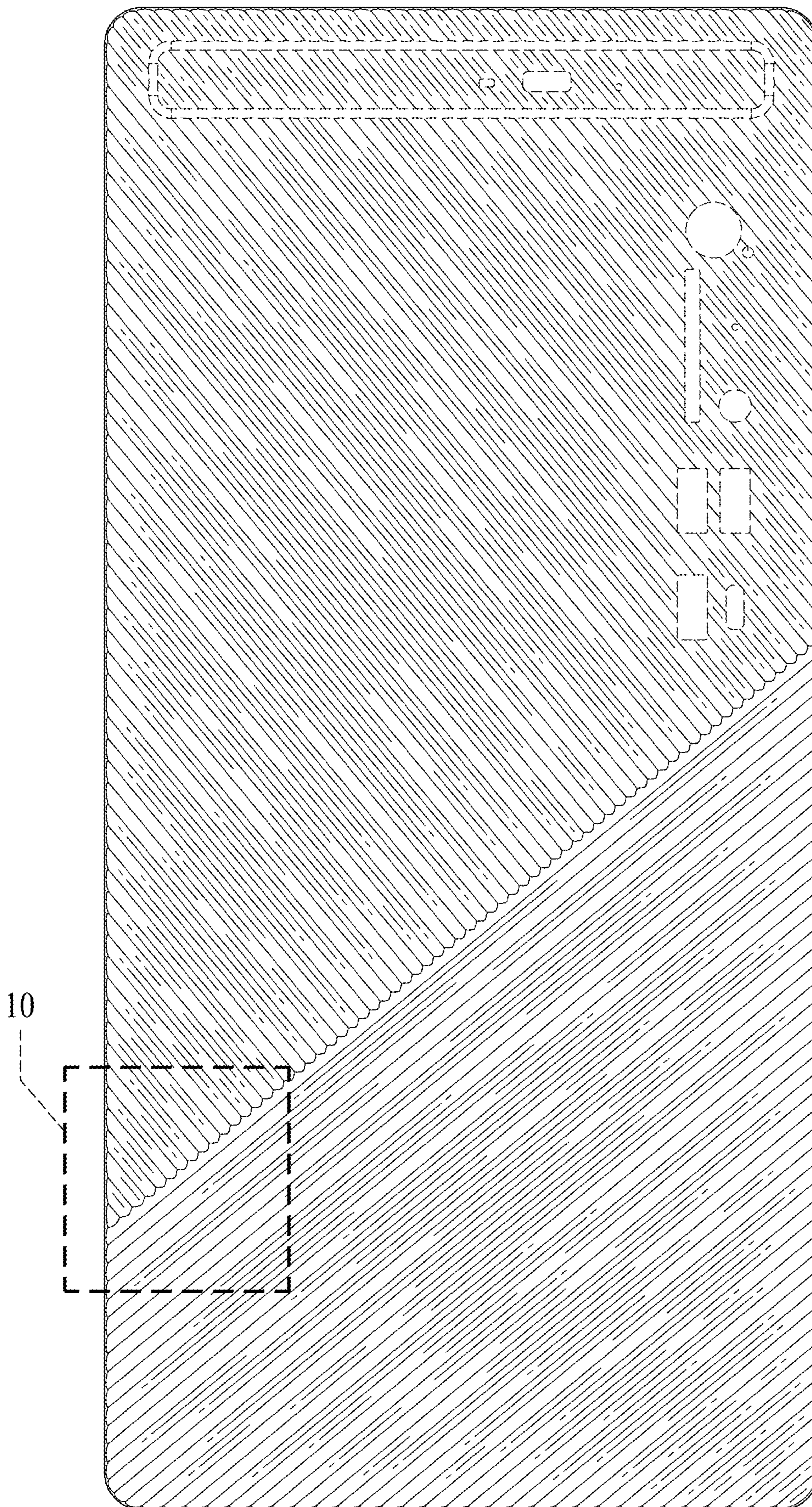


FIG. 2





**FIG. 3**

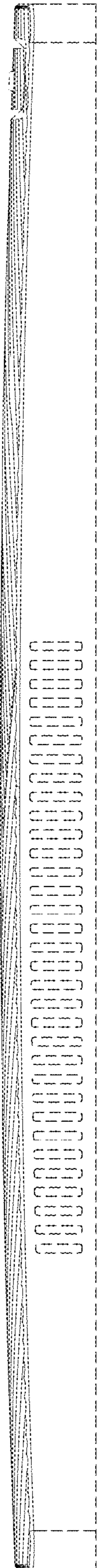


FIG. 4

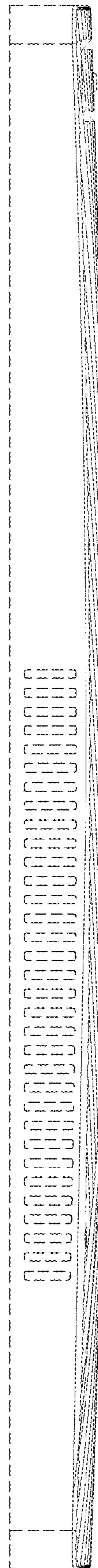


FIG. 5

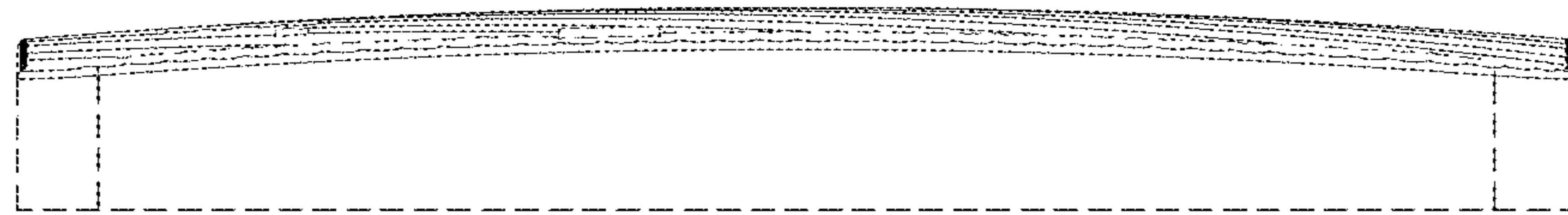


FIG. 6

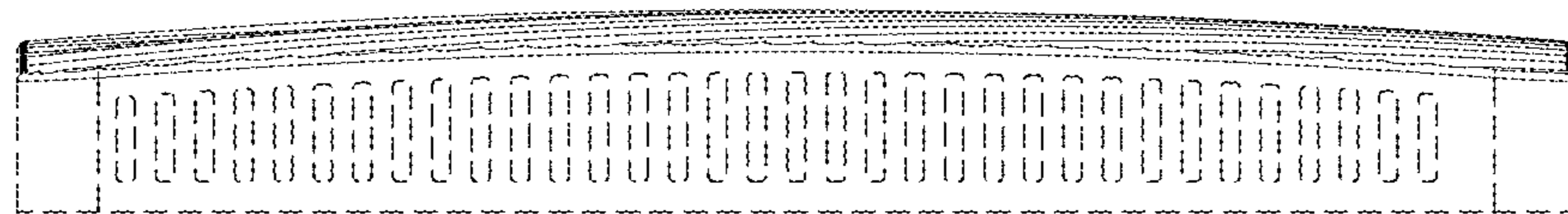


FIG. 7

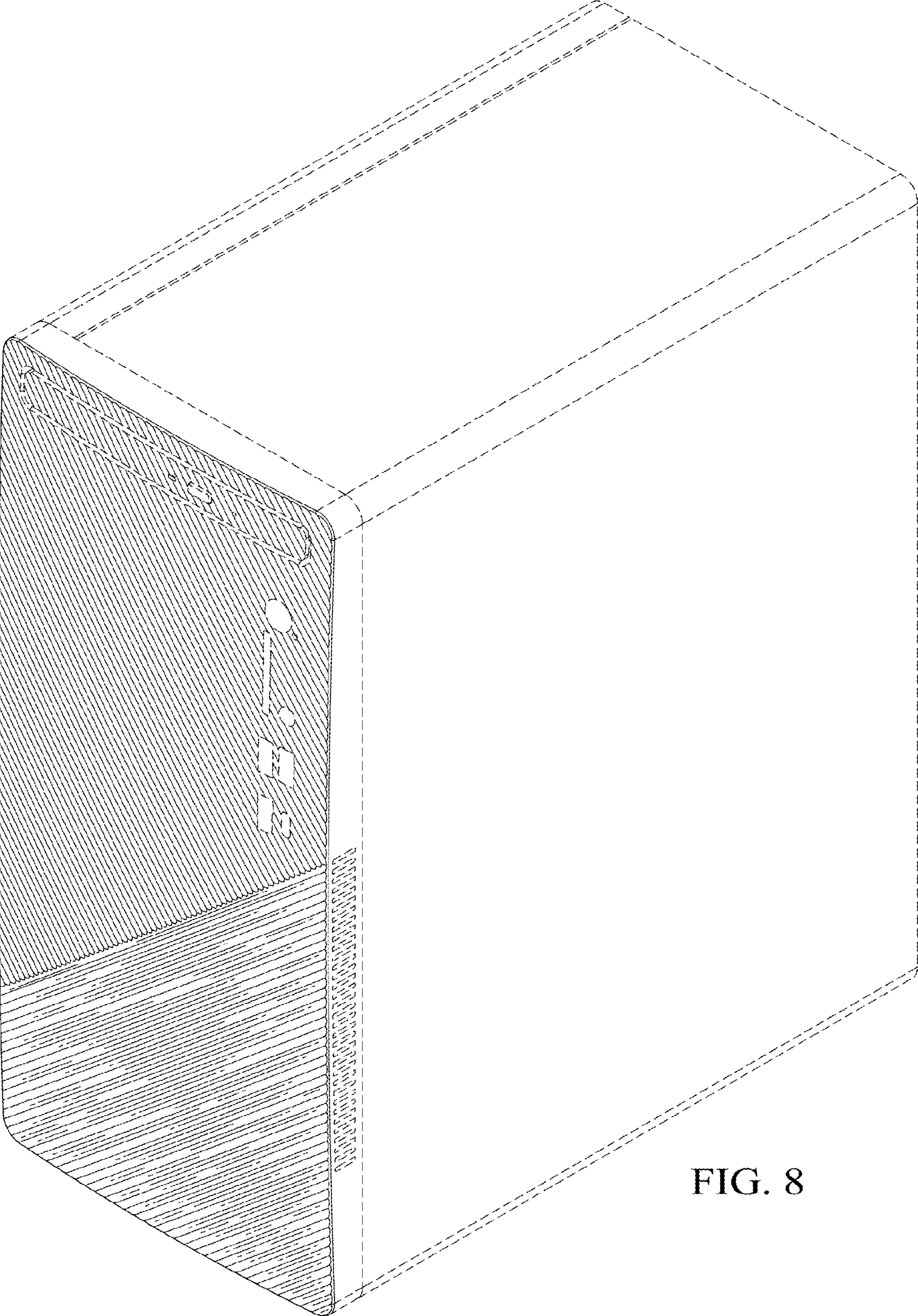


FIG. 8



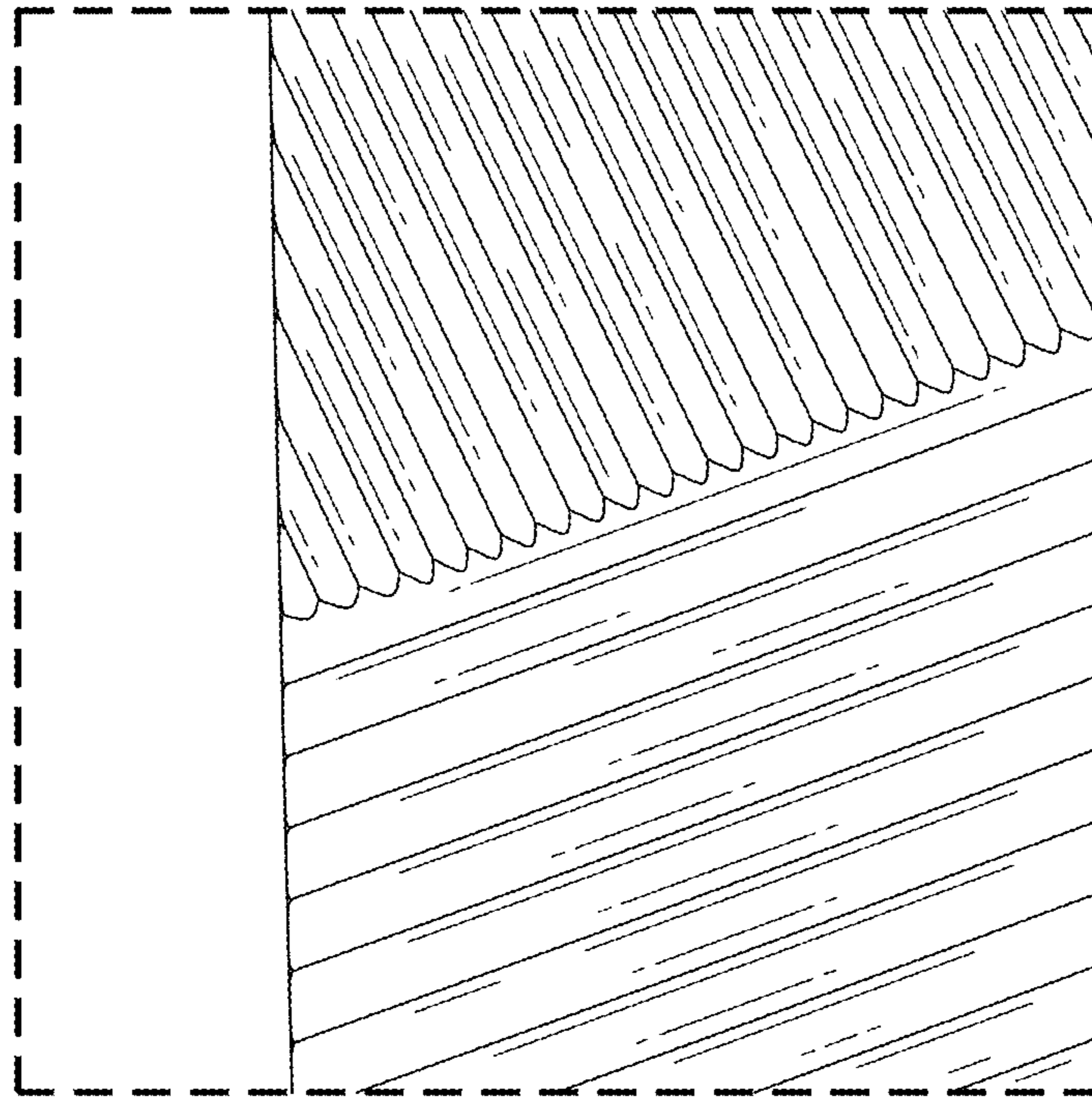


FIG. 9

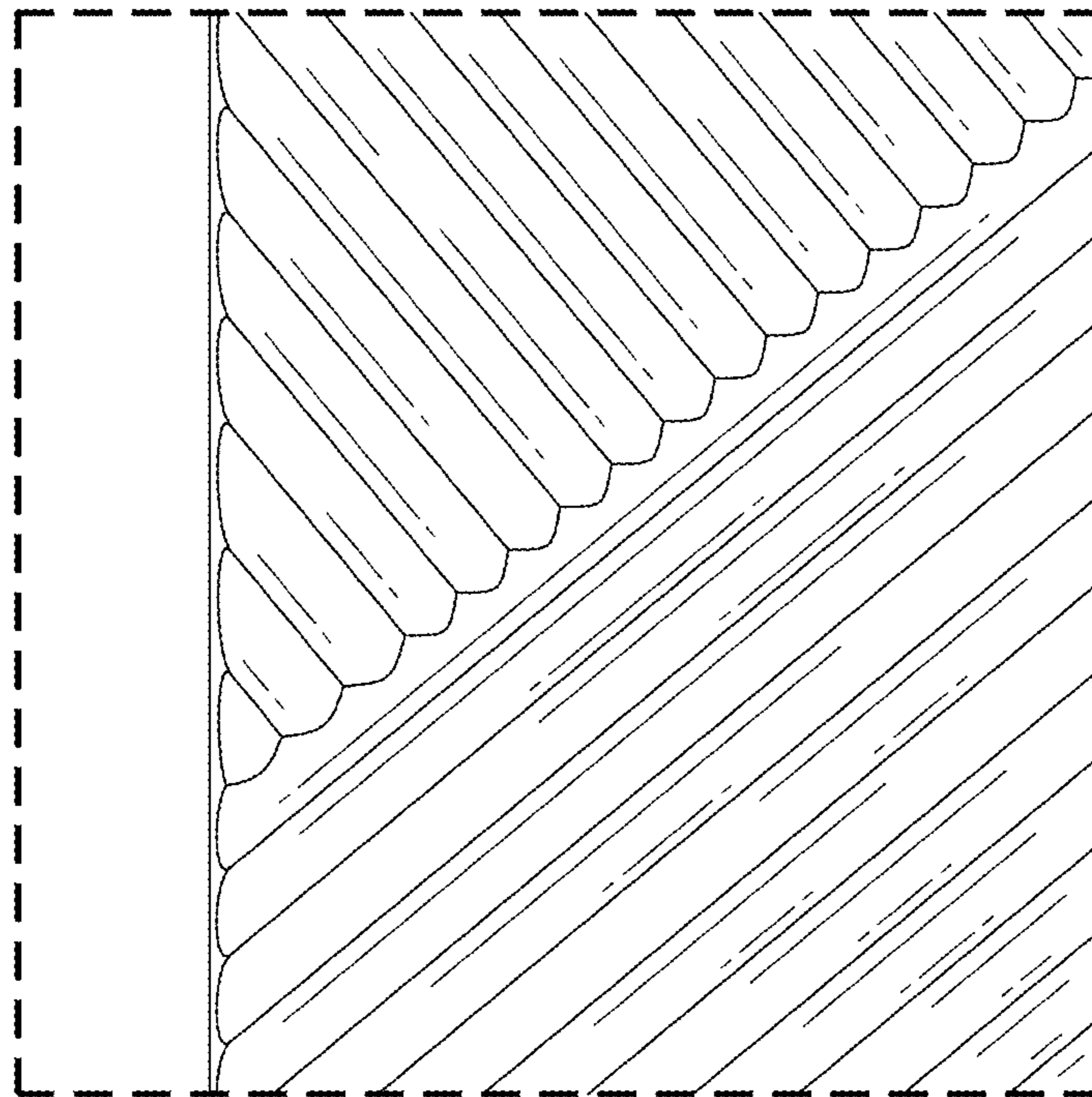


FIG. 10