



US00D928167S

(12) **United States Design Patent** (10) **Patent No.:** **US D928,167 S**  
**Cheng** (45) **Date of Patent:** **\*\* Aug. 17, 2021**

(54) **LAPTOP CASE**  
(71) Applicant: **Ailin Cheng**, Guangzhou (CN)  
(72) Inventor: **Ailin Cheng**, Guangzhou (CN)  
(\*\*) Term: **15 Years**  
(21) Appl. No.: **29/753,120**  
(22) Filed: **Sep. 30, 2020**  
(51) **LOC (13) Cl.** ..... **14-02**  
(52) **U.S. Cl.**  
USPC ..... **D14/440**  
(58) **Field of Classification Search**  
USPC ..... D14/440, 447; 206/45.23, 320, 45.2;  
361/679.55; 294/25; 224/218  
CPC ... G06F 1/1628; G06F 1/1626; A47B 23/044;  
H04B 1/3888  
See application file for complete search history.

D812,620 S \* 3/2018 Cheng ..... D14/440  
D877,509 S 3/2020 Kilkenny  
D913,294 S \* 3/2021 Li ..... D14/440  
D921,638 S \* 6/2021 Li ..... D14/440  
2011/0285258 A1\* 11/2011 Yuan ..... G06F 1/1626  
312/223.2  
2012/0075799 A1\* 3/2012 Pollex ..... G06F 1/1628  
361/679.56  
2017/0045920 A1\* 2/2017 Armstrong ..... G06F 1/1626

\* cited by examiner

*Primary Examiner* — Cynthia R Underwood

(57) **CLAIM**

The ornamental design for a laptop case, as shown and described.

**DESCRIPTION**

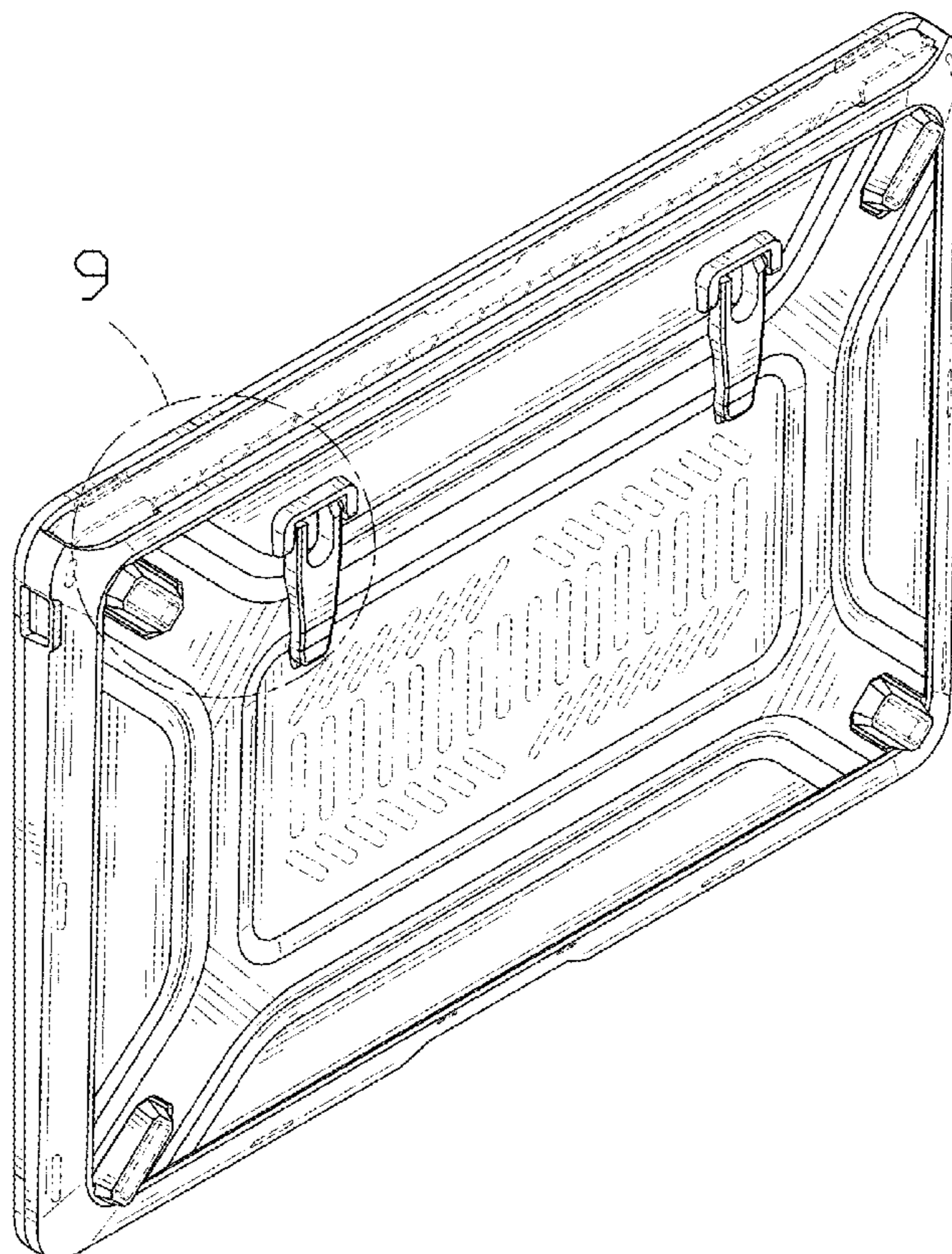
FIG. 1 is a first perspective view of a laptop case showing my new design;  
FIG. 2 is a second perspective view thereof;  
FIG. 3 is a front view thereof;  
FIG. 4 is a back view thereof;  
FIG. 5 is a left side view thereof;  
FIG. 6 is a right side view thereof;  
FIG. 7 is a top view thereof;  
FIG. 8 is a bottom view thereof; and,  
FIG. 9 is an enlarged view of the selected portion in FIG. 2.  
The broken lines shown in the drawings depict portions of the laptop case in which the design is embodied that form no part of the claimed design.

**1 Claim, 9 Drawing Sheets**

(56) **References Cited**

**U.S. PATENT DOCUMENTS**

D557,897 S 12/2007 Richardson et al.  
D672,958 S 12/2012 Denzinger  
D724,093 S \* 3/2015 Dong ..... D14/440  
D733,154 S \* 6/2015 Armstrong ..... D14/440  
D763,853 S \* 8/2016 Pearce ..... D14/440  
D790,550 S \* 6/2017 Chen ..... D14/440  
D803,221 S \* 11/2017 Guo ..... D14/440  
D806,080 S \* 12/2017 Chen ..... D14/440  
D808,973 S \* 1/2018 Chen ..... D14/440



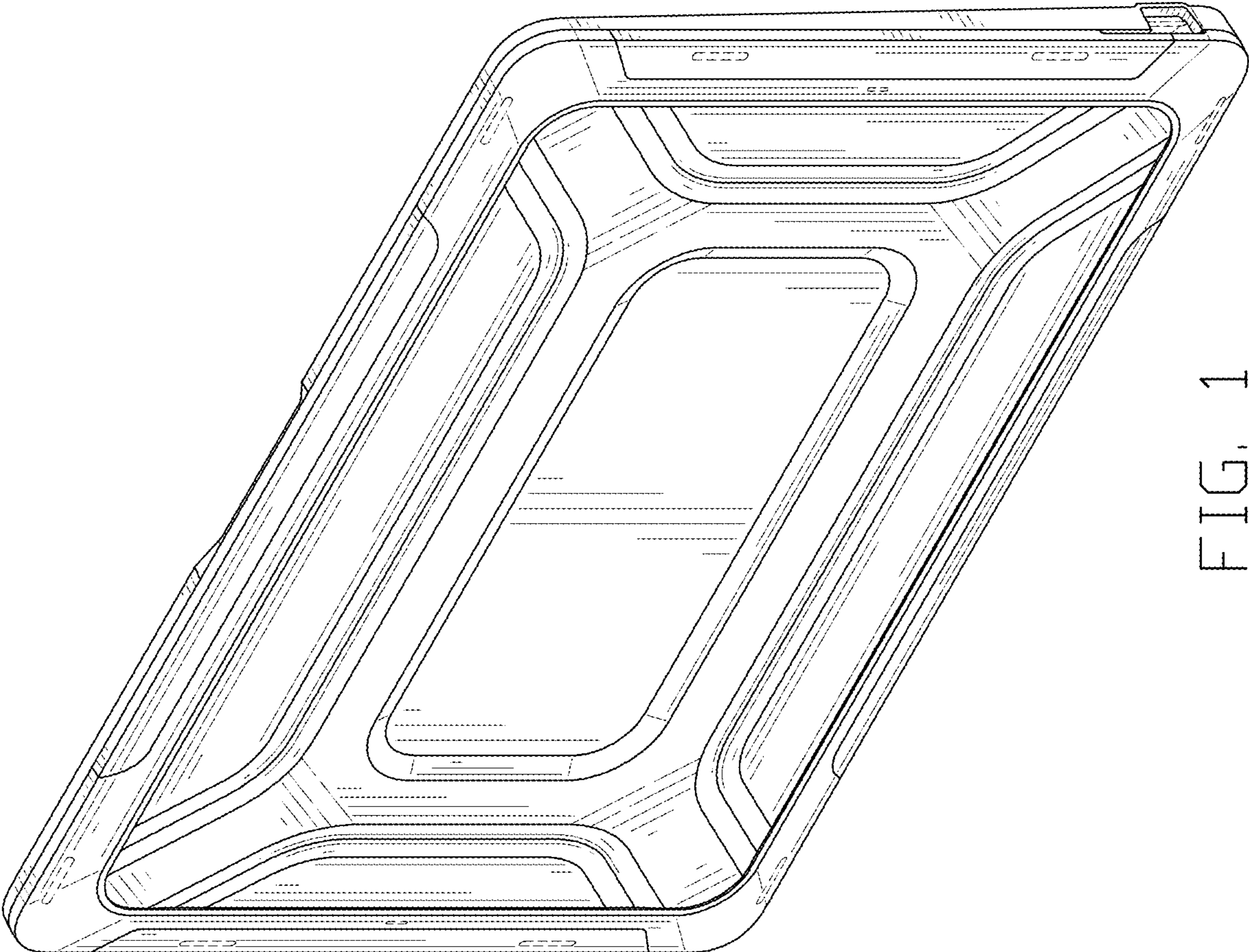


FIG. 1

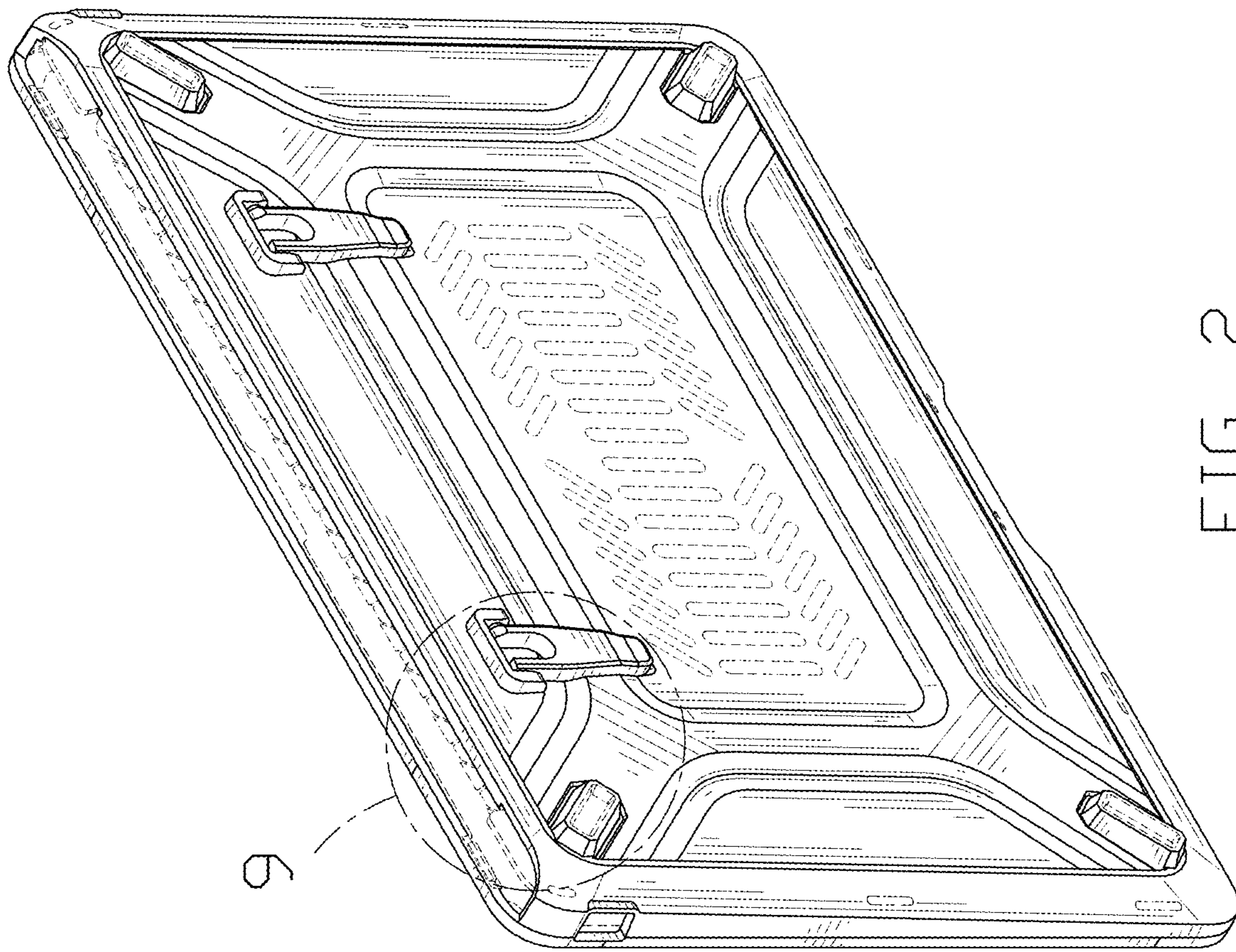


FIG. 2

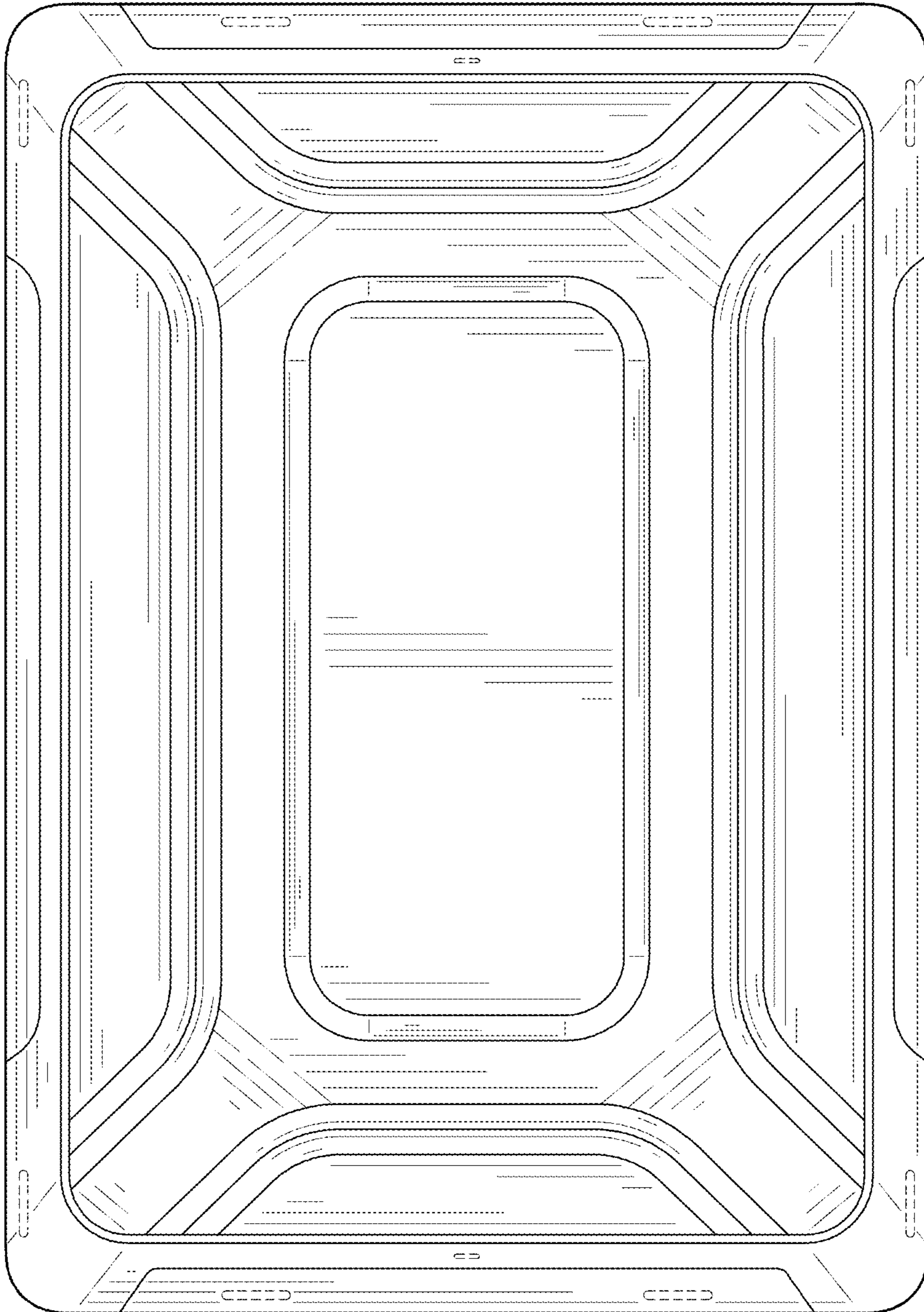


FIG. 3

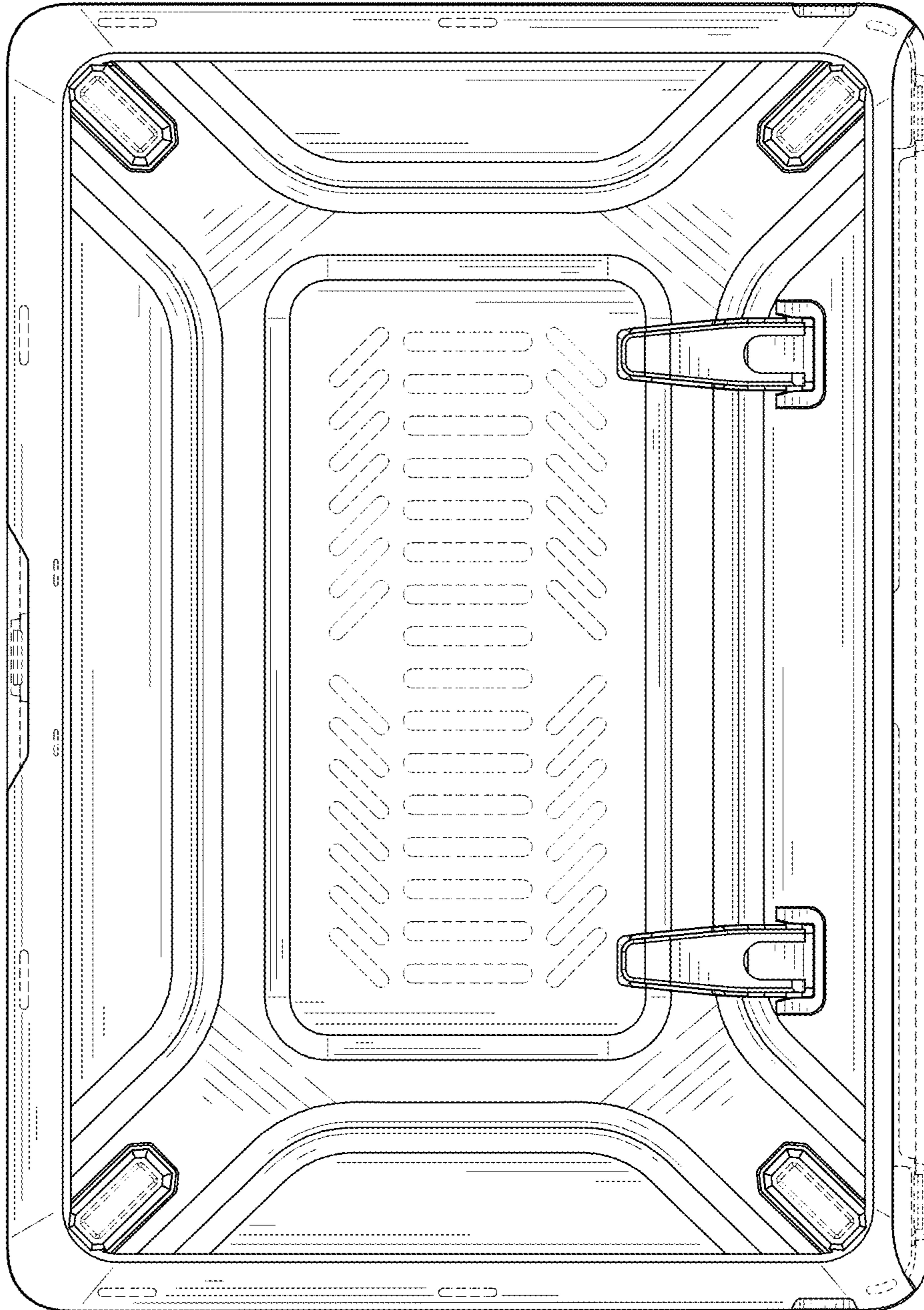


FIG. 4

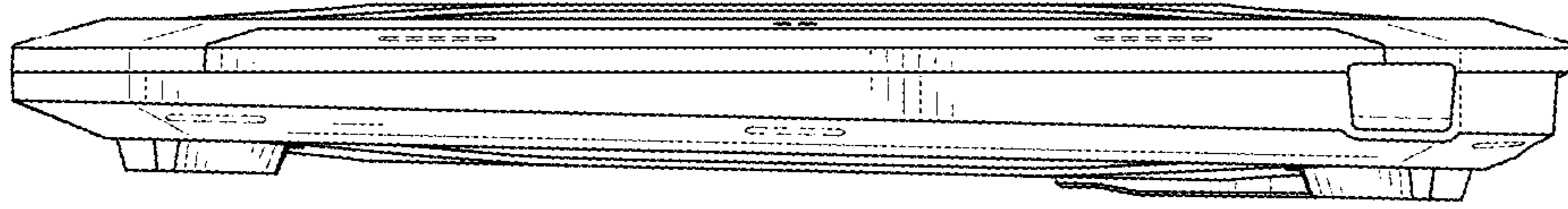


FIG. 5

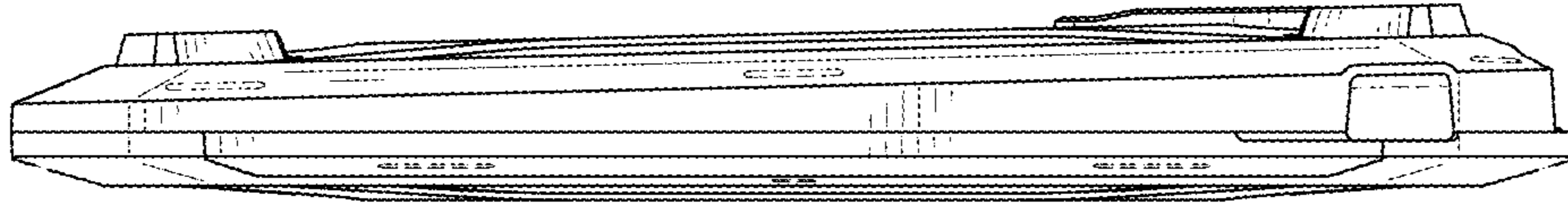


FIG. 6

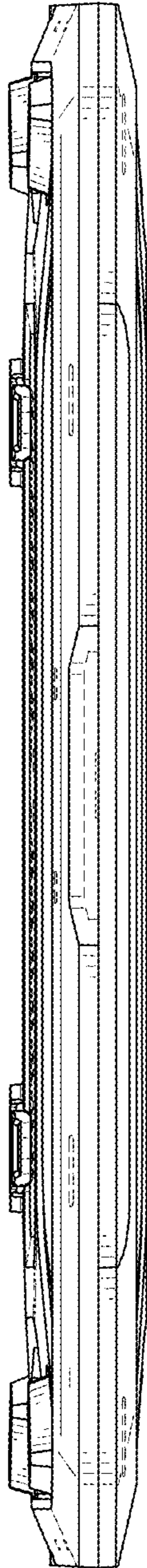


FIG. 7



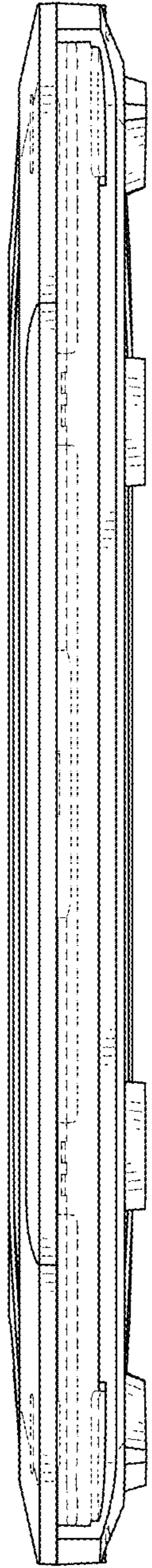


FIG. 8

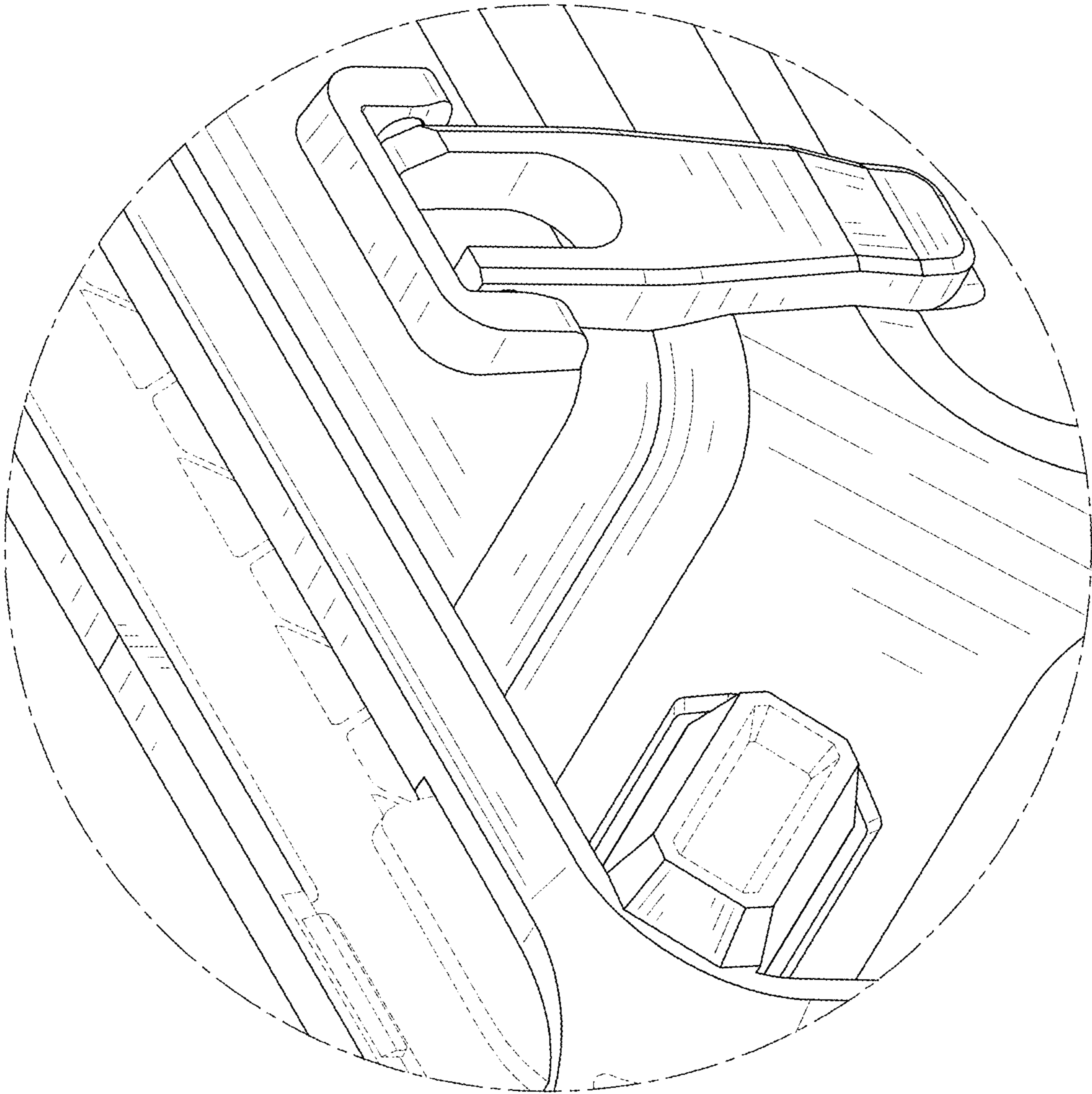


FIG. 9