



US00D928166S

(12) **United States Design Patent**
Hu

(10) **Patent No.:** **US D928,166 S**

(45) **Date of Patent:** **** Aug. 17, 2021**

(54) **TABLET CASE**

(71) Applicant: **Liangwu Hu**, Fangchenggang (CN)

(72) Inventor: **Liangwu Hu**, Fangchenggang (CN)

(**) Term: **15 Years**

(21) Appl. No.: **29/721,394**

(22) Filed: **Jan. 21, 2020**

(30) **Foreign Application Priority Data**

Aug. 19, 2019 (CN) 201930450135.1

(51) **LOC (13) Cl.** **14-02**

(52) **U.S. Cl.**
USPC **D14/440**

(58) **Field of Classification Search**
USPC D14/440, 447, 250; 206/45.23, 320,
206/45.2; 361/679.55; 294/25; 224/218
CPC ... G06F 1/1628; G06F 1/1626; A47B 23/044;
H04B 1/3888
See application file for complete search history.

(56) **References Cited**

U.S. PATENT DOCUMENTS

D689,056 S *	9/2013	Li	D14/440
D690,704 S *	10/2013	Padilla	D14/440
D727,917 S *	4/2015	Yeo	D14/440
D733,154 S *	6/2015	Armstrong	D14/440
D752,052 S *	3/2016	Park	D14/440
D763,853 S *	8/2016	Pearce	D14/440
D765,085 S *	8/2016	Moore	D14/440
D766,249 S *	9/2016	Veltz	D14/440
D770,458 S *	11/2016	Corcoran	D14/440
D784,350 S *	4/2017	Li	D14/440
D790,550 S *	6/2017	Chen	D14/440
D803,221 S *	11/2017	Guo	D14/440
D806,080 S *	12/2017	Chen	D14/440
D807,366 S *	1/2018	Chen	D14/440

D807,369 S *	1/2018	Chen	D14/440
D808,973 S *	1/2018	Chen	D14/440
D811,412 S *	2/2018	McCurdy	D14/440
D812,620 S *	3/2018	Cheng	D14/440
D821,405 S *	6/2018	Chen	D14/440
D825,571 S *	8/2018	Shannon, III	D14/440
D832,269 S *	10/2018	Cheng	D14/440
10,148,307 B2 *	12/2018	Shannon, III	G06F 1/1628
D844,621 S *	4/2019	Chen	D14/440
D851,648 S *	6/2019	Tan	D14/440
D854,022 S *	7/2019	Chen	D14/440
D860,212 S *	9/2019	Ahn	D14/440
D862,478 S *	10/2019	Ahn	D14/440
D862,479 S *	10/2019	Ahn	D14/440
D862,480 S *	10/2019	Chan	D14/440
D863,313 S *	10/2019	Li	D14/440
D868,791 S *	12/2019	Weng	D14/440
D872,093 S *	1/2020	Xu	D14/440

(Continued)

Primary Examiner — Cynthia R Underwood

(57) **CLAIM**

The ornamental design for a tablet case, as shown and described.

DESCRIPTION

FIG. 1 is a first perspective view of a tablet case showing my new design;

FIG. 2 is a second perspective view thereof;

FIG. 3 is a front view thereof;

FIG. 4 is a back view thereof;

FIG. 5 is a left side view thereof;

FIG. 6 is a right side view thereof;

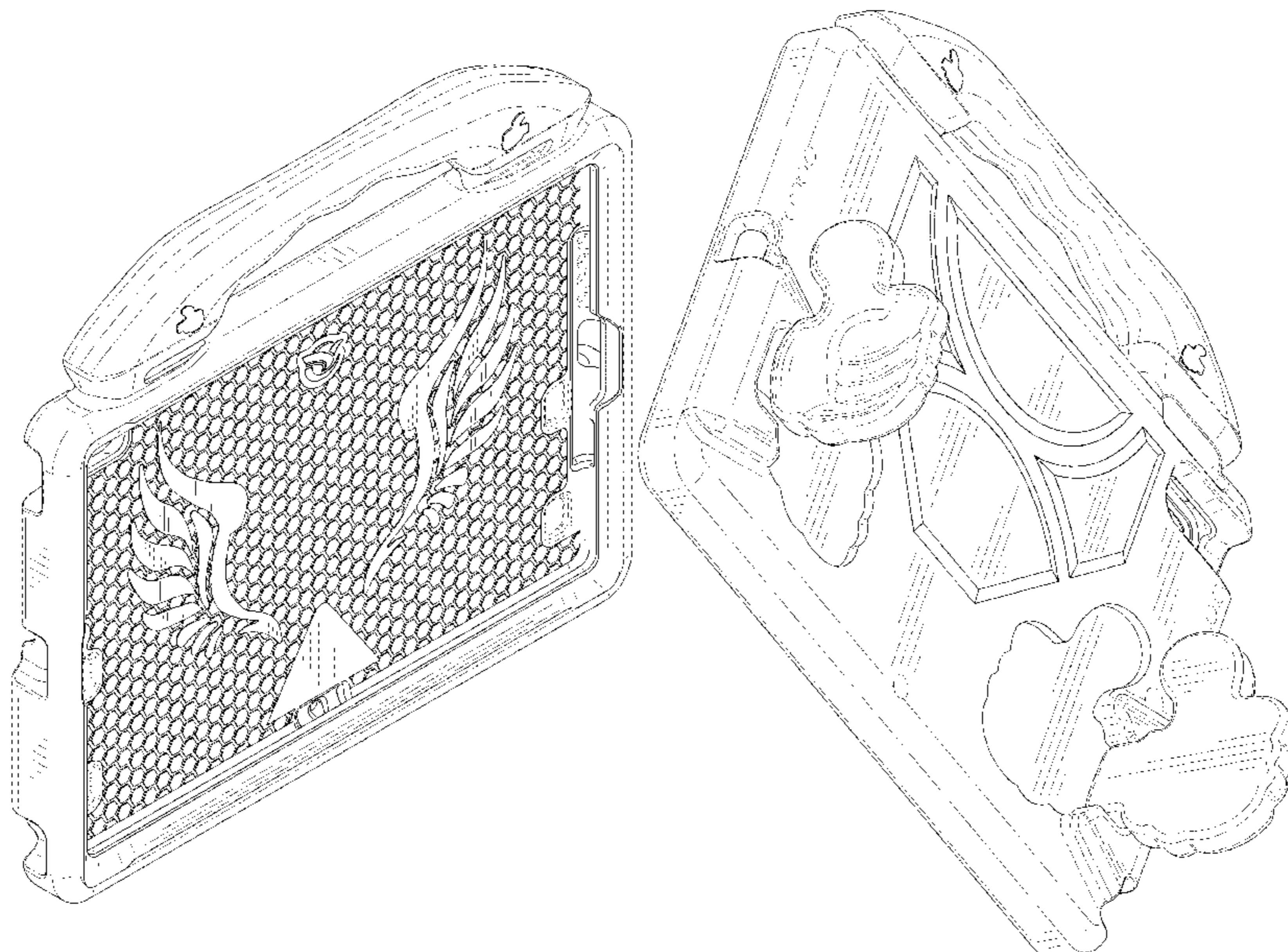
FIG. 7 is a top view thereof;

FIG. 8 is a bottom view thereof; and,

FIG. 9 is a perspective view of another state of the tablet case thereof.

The broken lines shown in the drawings depict portions of the tablet case in which the design is embodied that form no part of the claimed design.

1 Claim, 9 Drawing Sheets



(56)

References Cited

U.S. PATENT DOCUMENTS

D879,104	S *	3/2020	Li	D14/440
D879,105	S *	3/2020	Li	D14/440
D881,196	S *	4/2020	Zanxiang	D14/440
D883,988	S *	5/2020	Li	D14/440
D884,709	S *	5/2020	Cheng	D14/440
D885,399	S *	5/2020	Chen	D14/440
D886,109	S *	6/2020	Li	D14/440
D911,350	S *	2/2021	Li	D14/440
D912,677	S *	3/2021	Li	D14/440
D913,294	S *	3/2021	Li	D14/440
D916,708	S *	4/2021	Ke	D14/440
2012/0075799	A1 *	3/2012	Pollex	F16M 11/041 361/679.56
2017/0045920	A1 *	2/2017	Armstrong	G06F 1/1669
2017/0097698	A1 *	4/2017	Maeshima	G06F 3/03545

* cited by examiner

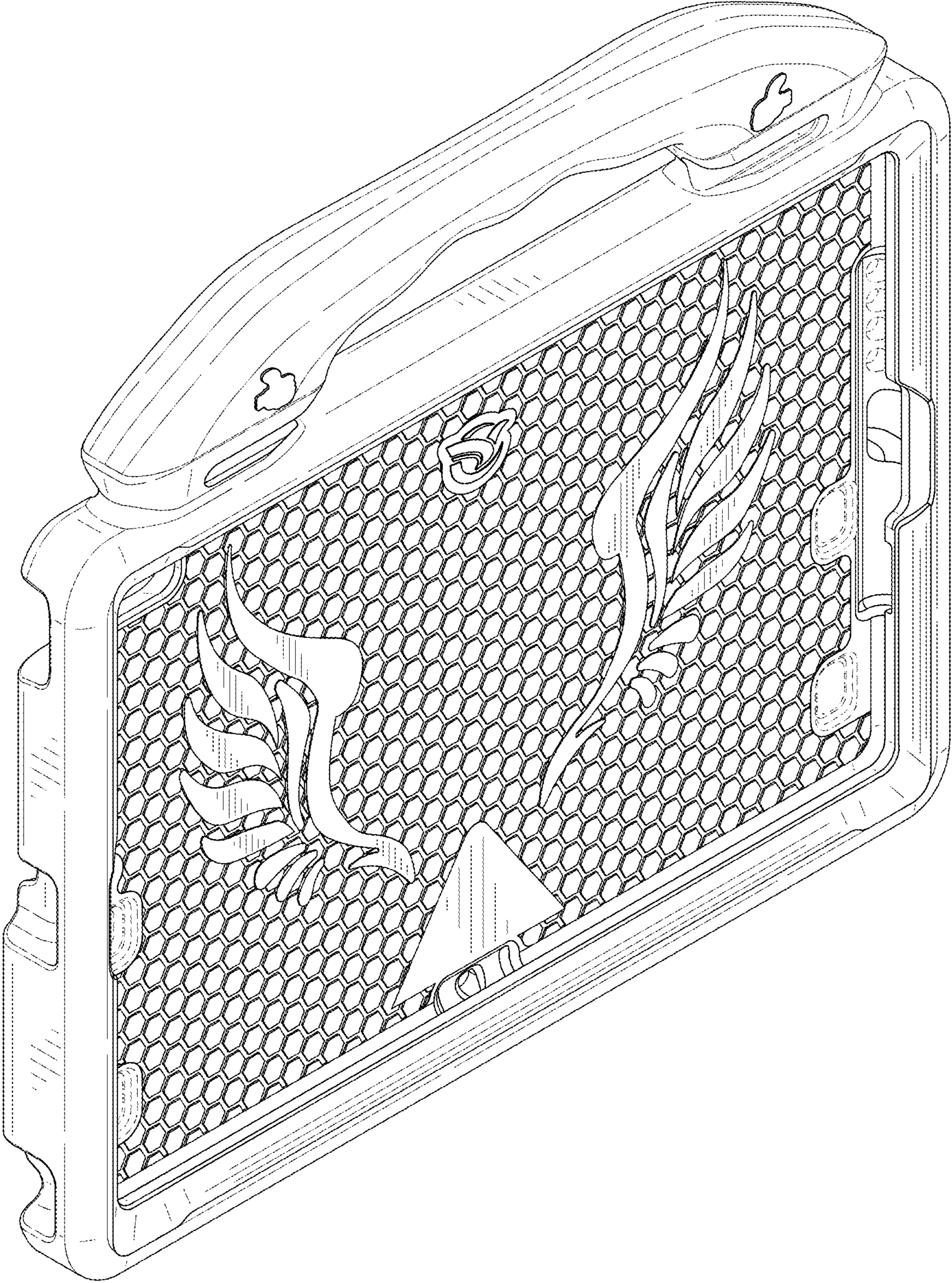


FIG. 1

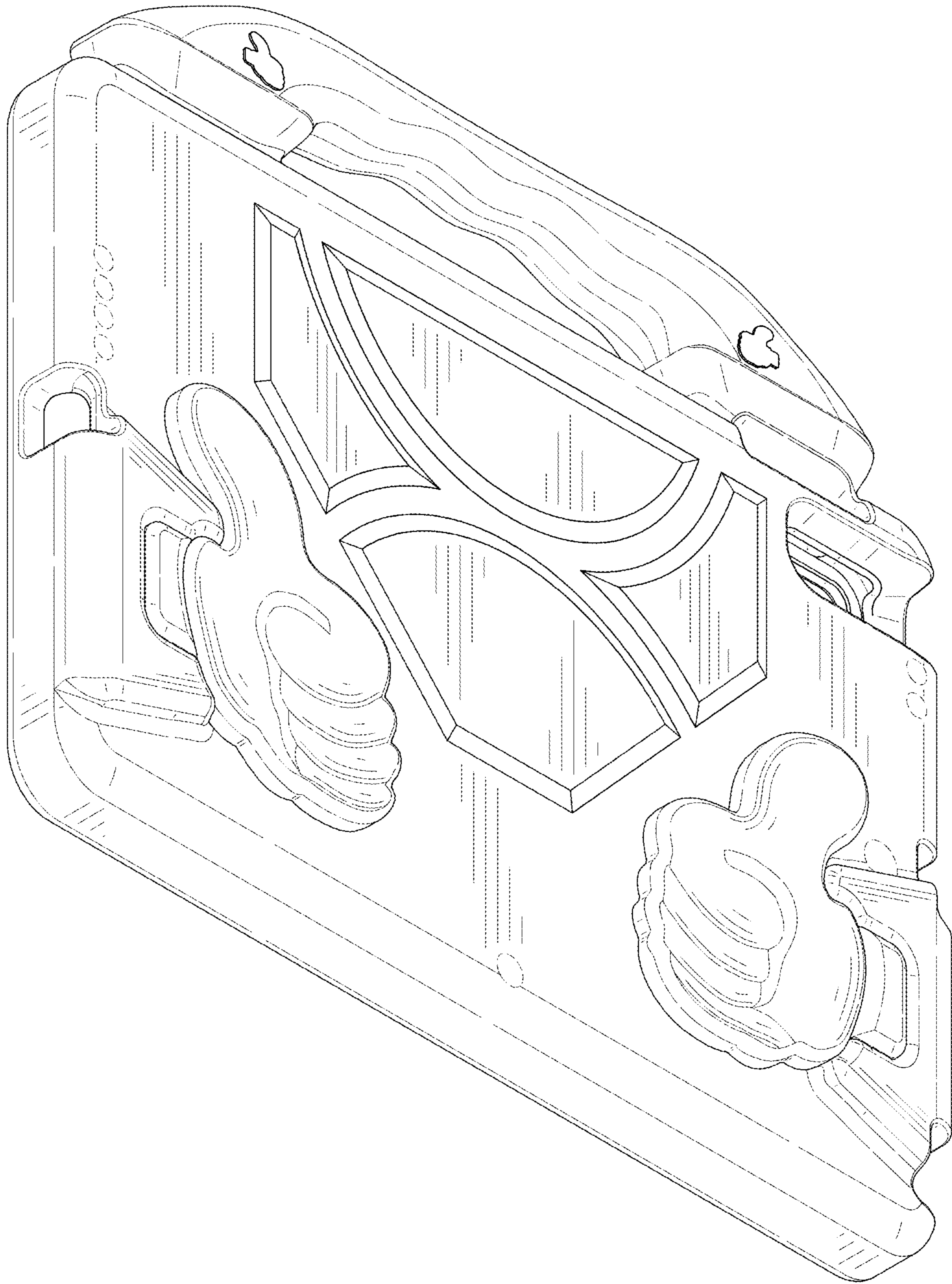


FIG. 2

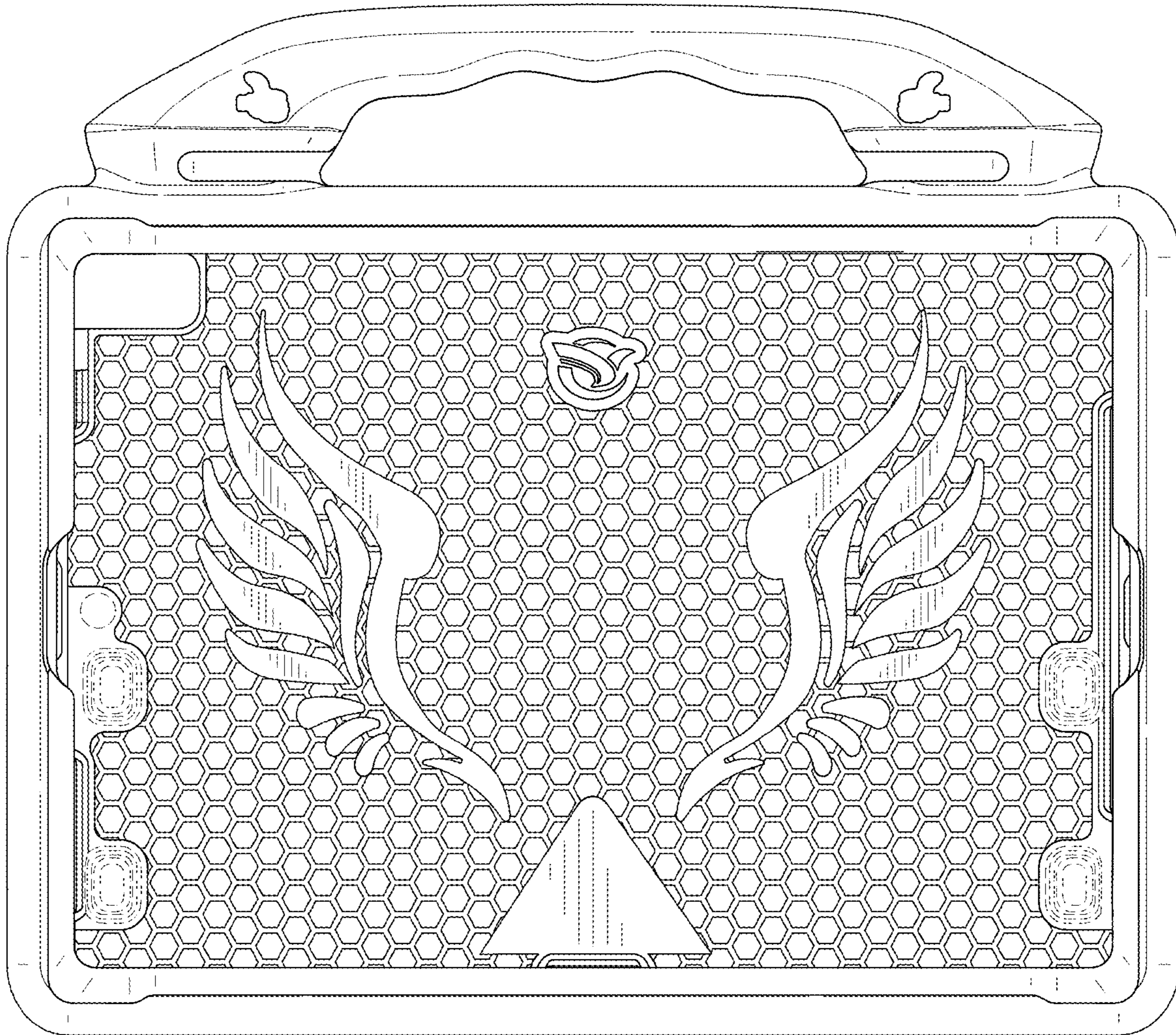


FIG. 3

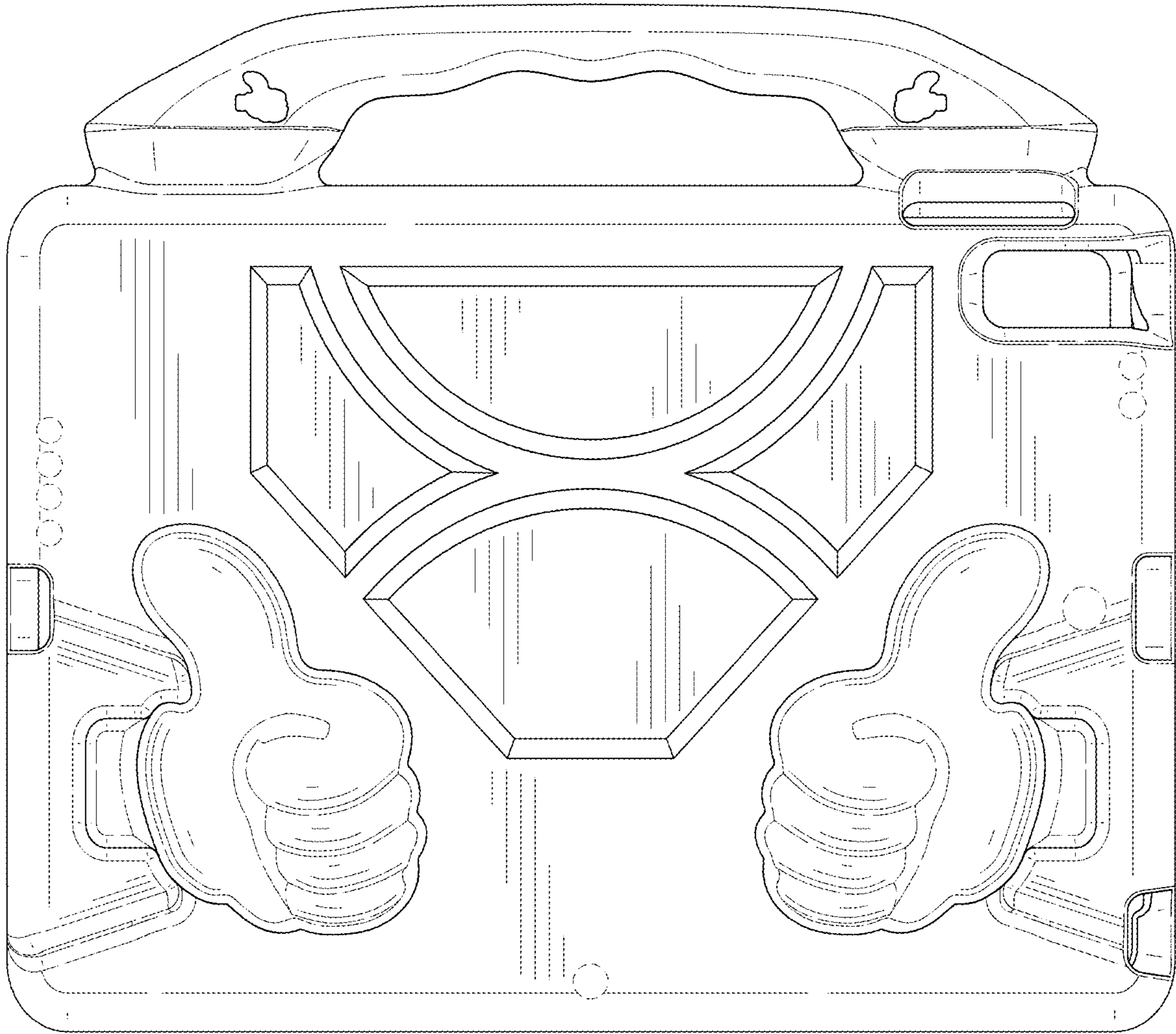


FIG. 4

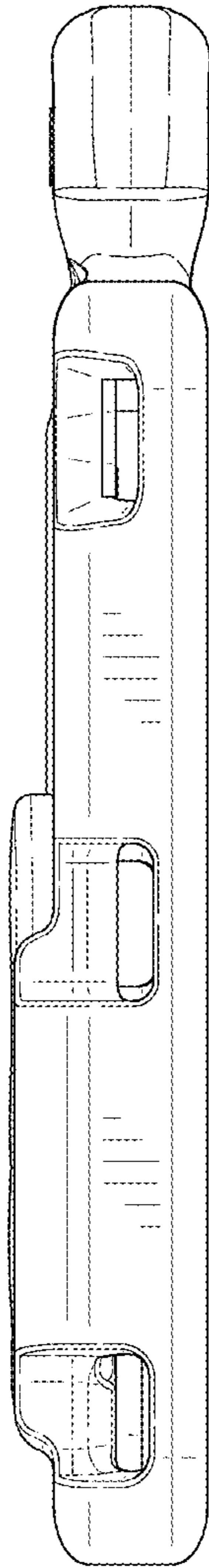


FIG. 5

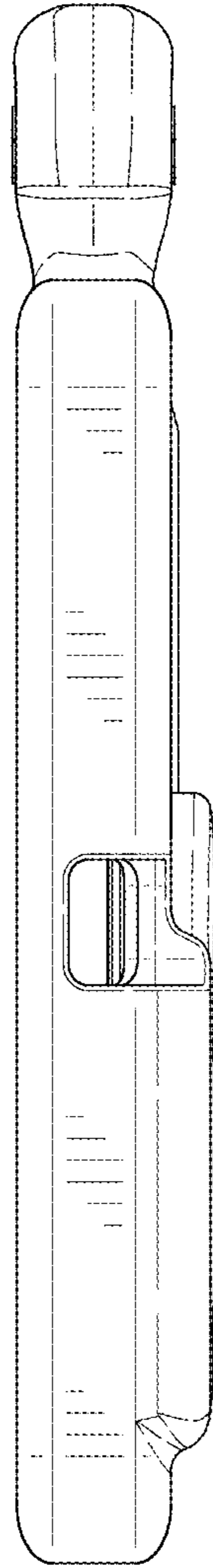


FIG. 6

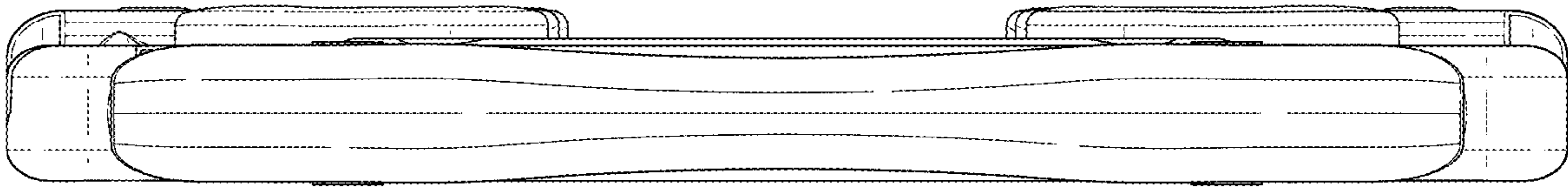


FIG. 7

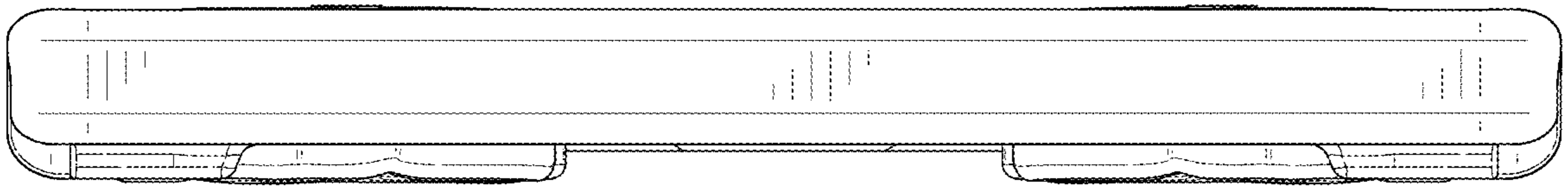


FIG. 8

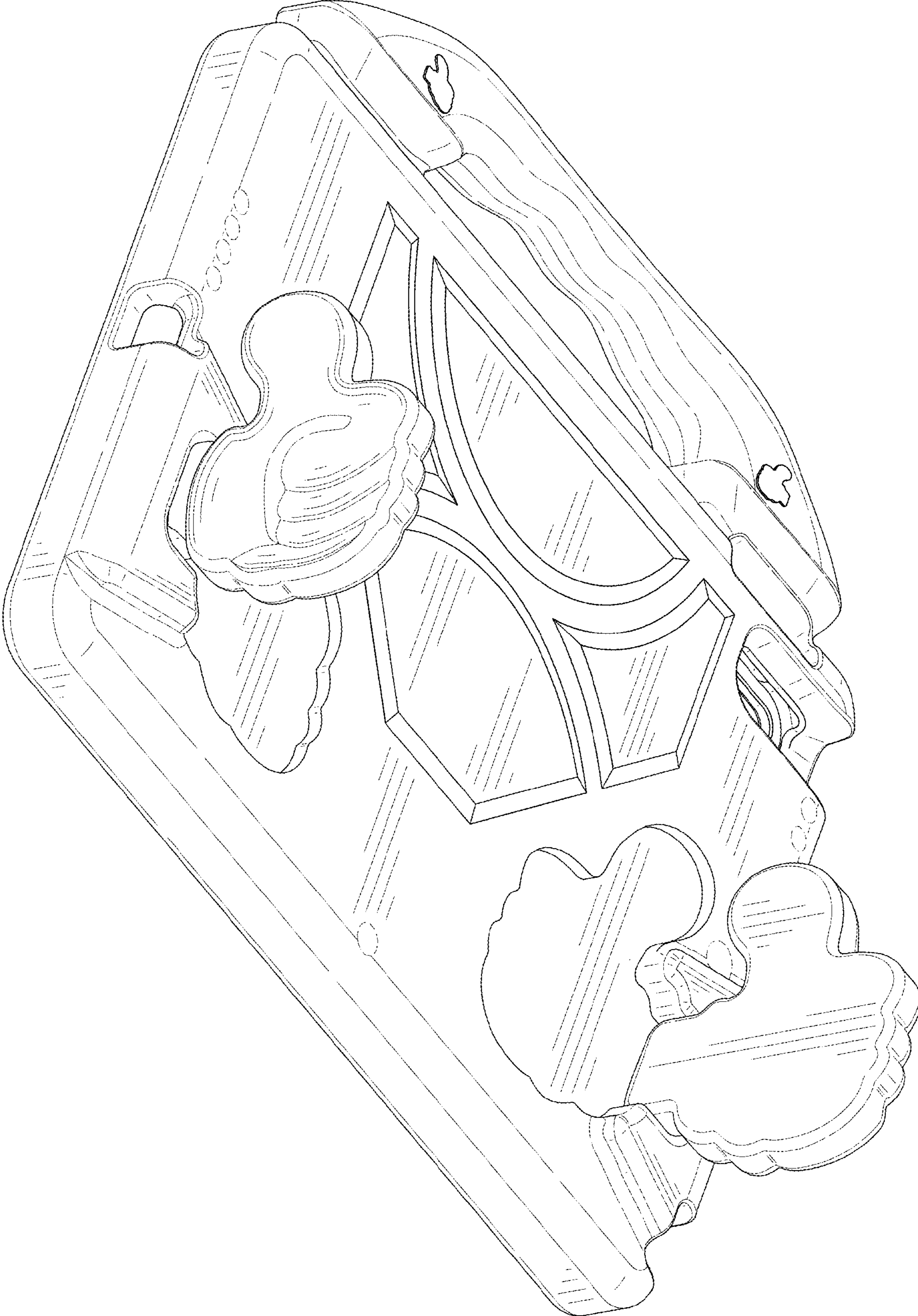


FIG. 9