



US00D928165S

(12) **United States Design Patent** (10) **Patent No.:** **US D928,165 S**  
**Li** (45) **Date of Patent:** **\*\* Aug. 17, 2021**

(54) **CASE FOR PORTABLE COMPUTER**

(71) Applicant: **Huaiwen Li**, Guangdong (CN)

(72) Inventor: **Huaiwen Li**, Guangdong (CN)

(\*\*) Term: **15 Years**

(21) Appl. No.: **29/719,212**

(22) Filed: **Jan. 2, 2020**

(51) **LOC (13) Cl.** ..... **14-02**

(52) **U.S. Cl.**  
USPC ..... **D14/440**

(58) **Field of Classification Search**

USPC ..... D14/440, 447, 250; 206/45.23, 320,  
206/45.2; 361/679.55; 294/25; 224/218

CPC ... G06F 1/1628; G06F 1/1626; A47B 23/044;  
H04B 1/3888

See application file for complete search history.

(56) **References Cited**

**U.S. PATENT DOCUMENTS**

4,259,568	A *	3/1981	Dynesen	.....	G06F 15/0216 206/305
5,375,076	A *	12/1994	Goodrich	.....	G06F 1/1626 361/679.17
5,383,138	A *	1/1995	Motoyama	.....	E05C 1/16 361/679.27
7,042,712	B2 *	5/2006	Ghosh	.....	G06F 1/1605 206/320
7,318,521	B2 *	1/2008	Lau	.....	A45C 11/00 206/320
7,502,225	B2 *	3/2009	Solomon	.....	G06F 1/1632 361/679.41
D620,001	S *	7/2010	Reed	.....	D14/315

(Continued)

Primary Examiner — Cynthia R Underwood

(57) **CLAIM**

The ornamental design for a case for portable computer, as shown and described.

**DESCRIPTION**

FIG. 1 is a front and top perspective view of a first embodiment of a case for portable computer, showing my new design;

FIG. 2 is a rear and bottom perspective view thereof;

FIG. 3 is a front elevational view thereof;

FIG. 4 is a rear elevational view thereof;

FIG. 5 is a left side elevational view thereof;

FIG. 6 is a right side elevational view thereof;

FIG. 7 is a top plan view thereof;

FIG. 8 is a bottom plan view thereof;

FIG. 9 is an enlarged view of a portion indicated in FIG. 1;

FIG. 10 is an enlarged view of a portion indicated in FIG. 2;

FIG. 11 is a perspective view thereof, showing the case for portable computer in a closed position;

FIG. 12 is a front and top perspective view of a second embodiment of the case for portable computer;

FIG. 13 is a rear and bottom perspective view thereof;

FIG. 14 is a front view thereof;

FIG. 15 is a back view thereof;

FIG. 16 is a left side view thereof;

FIG. 17 is a right side view thereof;

FIG. 18 is a top view thereof; and

FIG. 19 is a bottom view thereof;

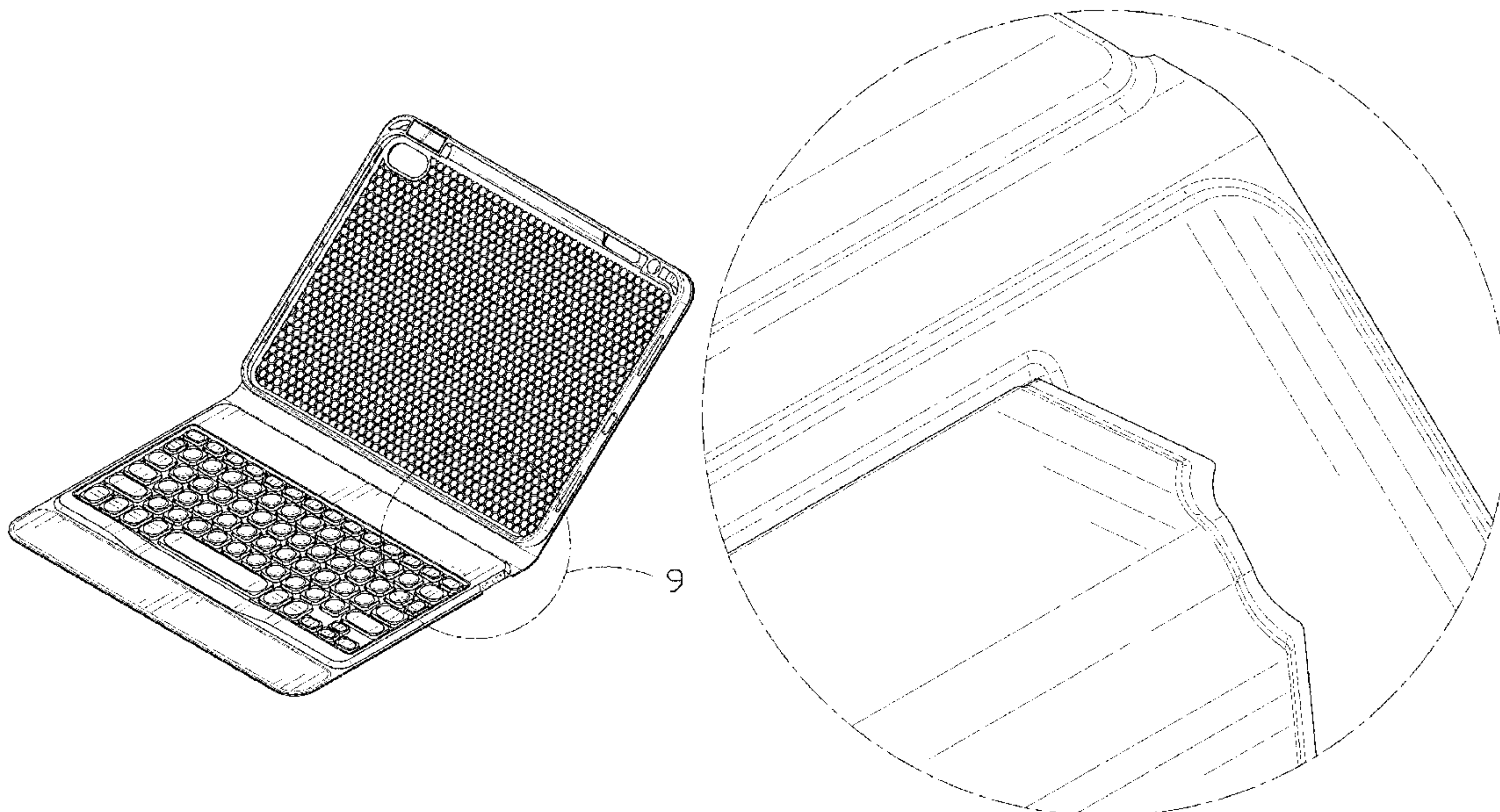
FIG. 20 is an enlarged view of a portion indicated in FIG. 11;

FIG. 21 is an enlarged view of a portion indicated in FIG. 12; and,

FIG. 22 is a perspective view thereof, showing the case for portable computer in a closed position.

The broken lines in the figures illustrate portions of the case for portable computer that form no part of the claimed design. The dash dot dash lines in FIGS. 1, 2, 9, 10, 11, 12, 19 and 20 are for the purpose of depicting the cut line of the enlarged view and form no part of the claim.

**1 Claim, 22 Drawing Sheets**



(56)

References Cited

U.S. PATENT DOCUMENTS

8,139,357 B2 *	3/2012	Trang	.....	G06F 1/203	361/679.59	2009/0017883 A1 *	1/2009	Lin	.....	H04M 1/026	455/575.8
D659,139 S *	5/2012	Gengler	.....	D14/392		2010/0294909 A1 *	11/2010	Hauser	.....	B42D 9/00	248/456
D724,093 S *	3/2015	Dong	.....	D14/440		2012/0140396 A1 *	6/2012	Zeliff	.....	G06F 1/1632	361/679.09
D737,276 S *	8/2015	Armstrong	.....	D14/440		2012/0194448 A1 *	8/2012	Rothkopf	.....	B60R 11/0252	345/173
9,227,763 B2 *	1/2016	Gengler	.....	G06F 1/16		2014/0139989 A1 *	5/2014	Mori	.....	G06F 1/1626	361/679.09
D753,648 S *	4/2016	Shyu	.....	D14/315		2015/0280768 A1 *	10/2015	Huang	.....	H04M 1/7253	455/575.8
D772,880 S *	11/2016	Corcoran	.....	D14/440		2015/0296060 A1 *	10/2015	Gu	.....	G06F 1/162	455/575.4
9,489,054 B1 *	11/2016	Sumsion	.....	G06F 1/1681		2016/0349794 A1 *	12/2016	Yeh	.....	G06F 3/0426	
D801,976 S *	11/2017	Li	.....	D14/440							
D808,395 S *	1/2018	Fenton	.....	D14/440							
D868,071 S *	11/2019	Liu	.....	D14/440							
D872,093 S *	1/2020	Xu	.....	D14/440							
D888,719 S *	6/2020	Moore	.....	D14/440							
D892,128 S *	8/2020	Chen	.....	D14/440							
D892,803 S *	8/2020	Armstrong	.....	D14/440							
D898,747 S *	10/2020	Deng	.....	D14/440							

\* cited by examiner



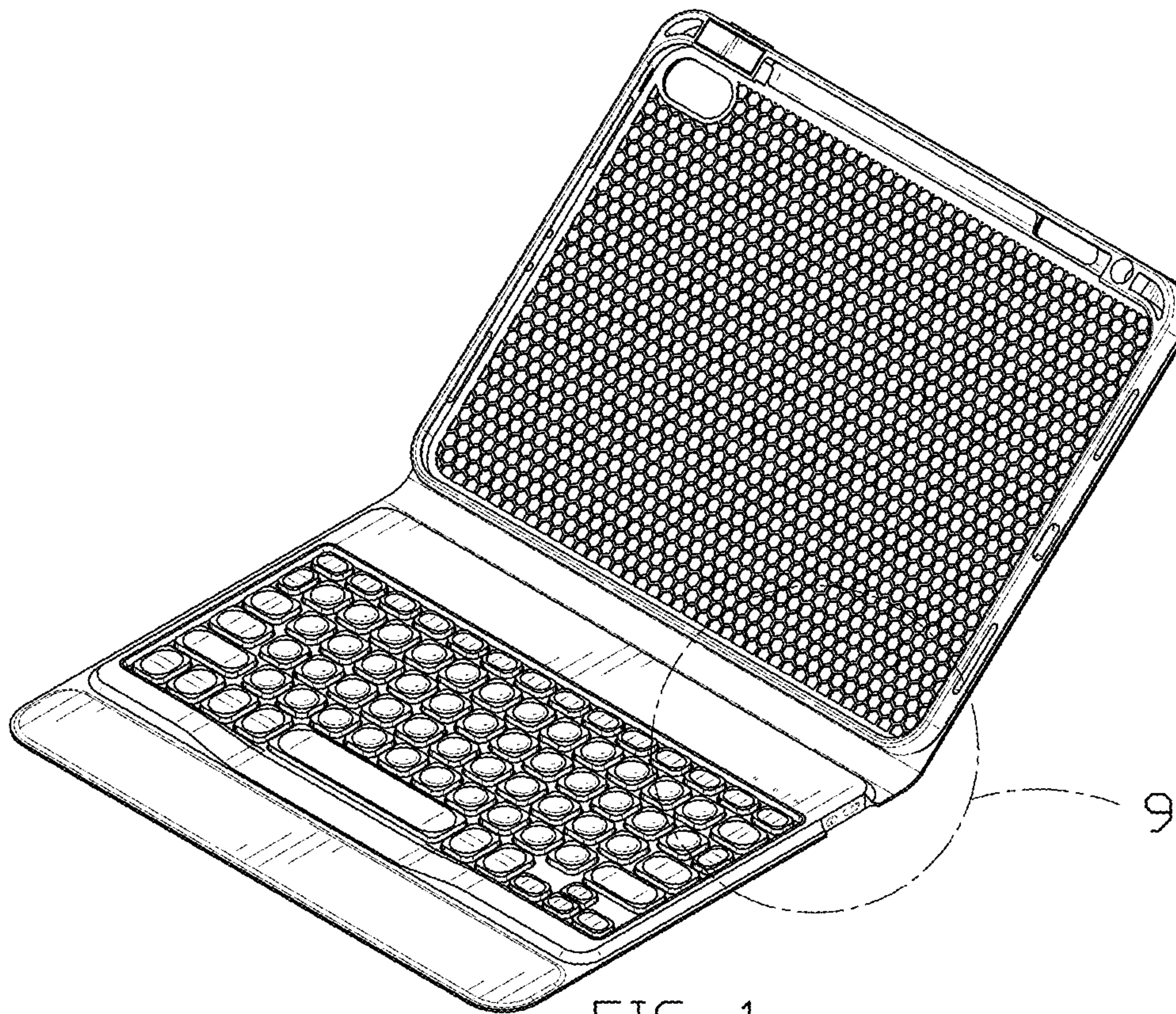


FIG. 1

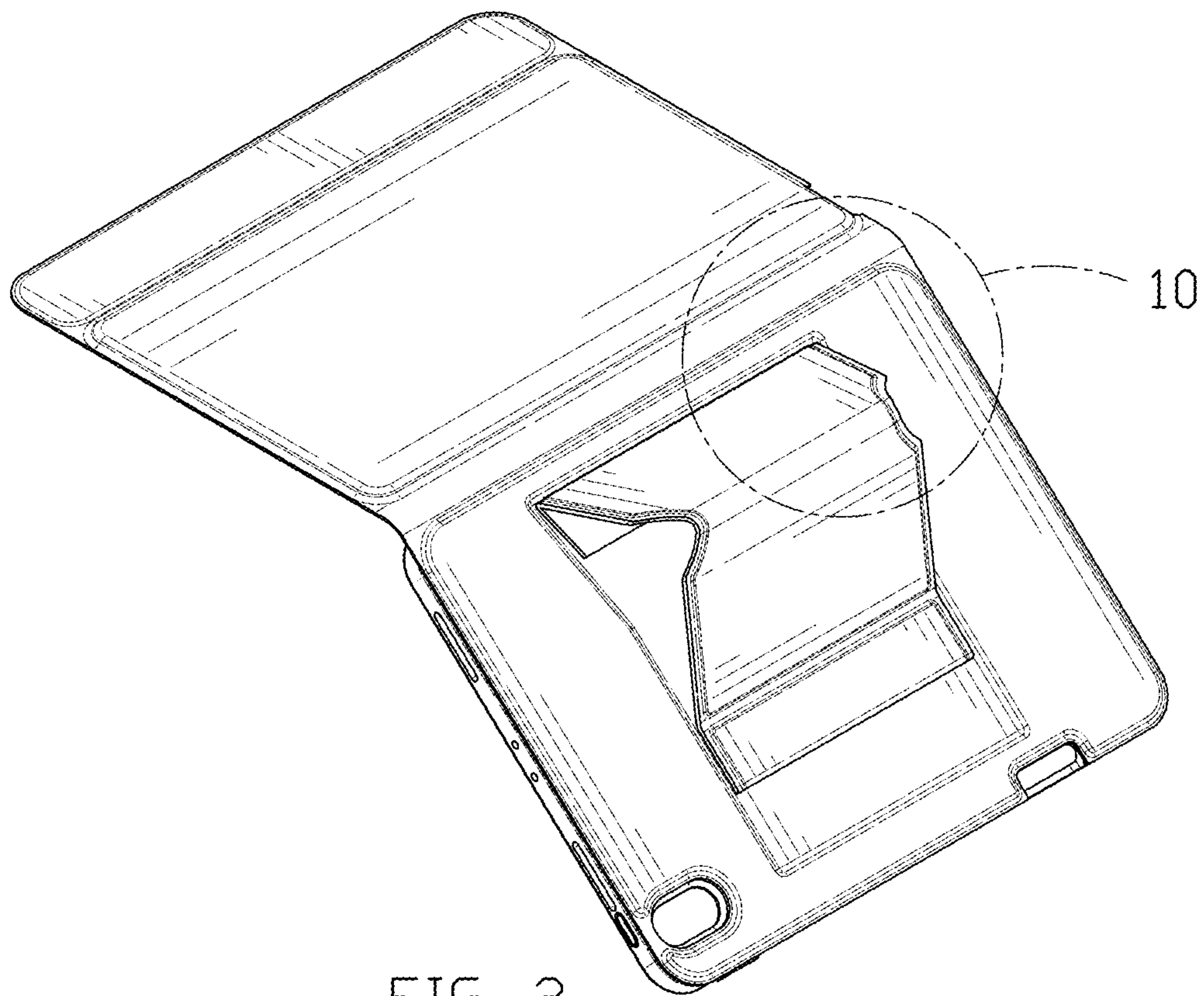


FIG. 2



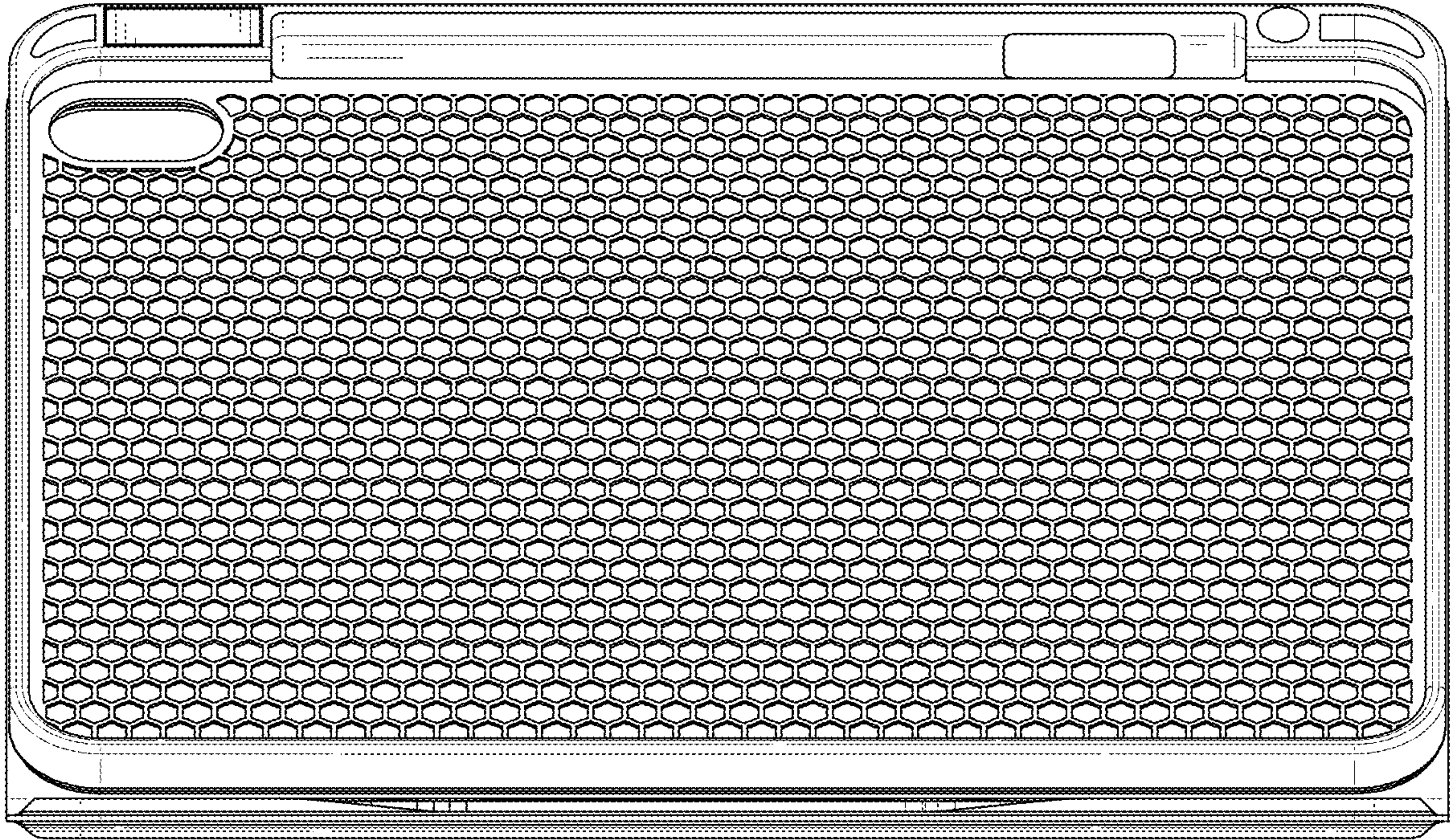


FIG. 3

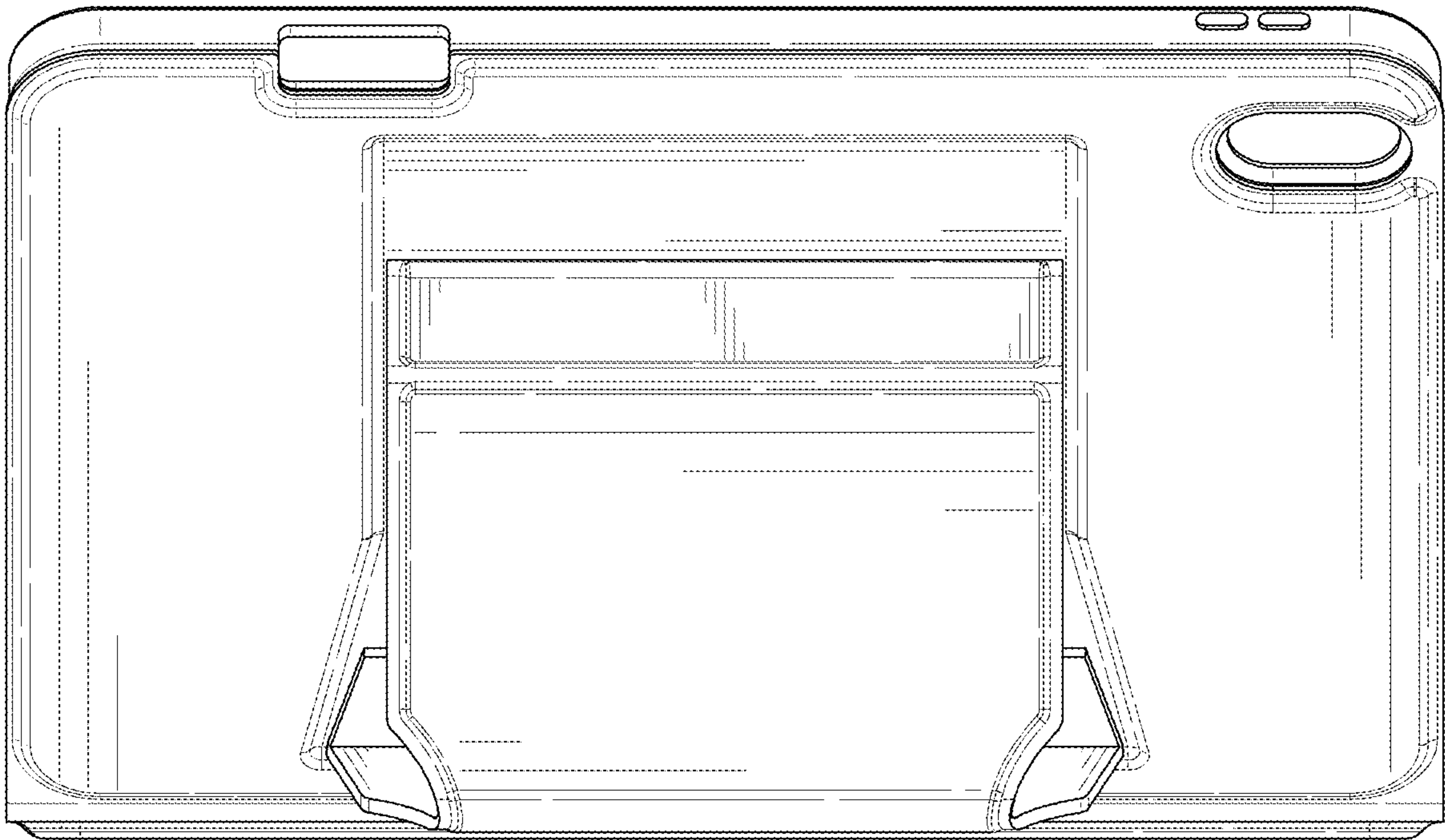


FIG. 4

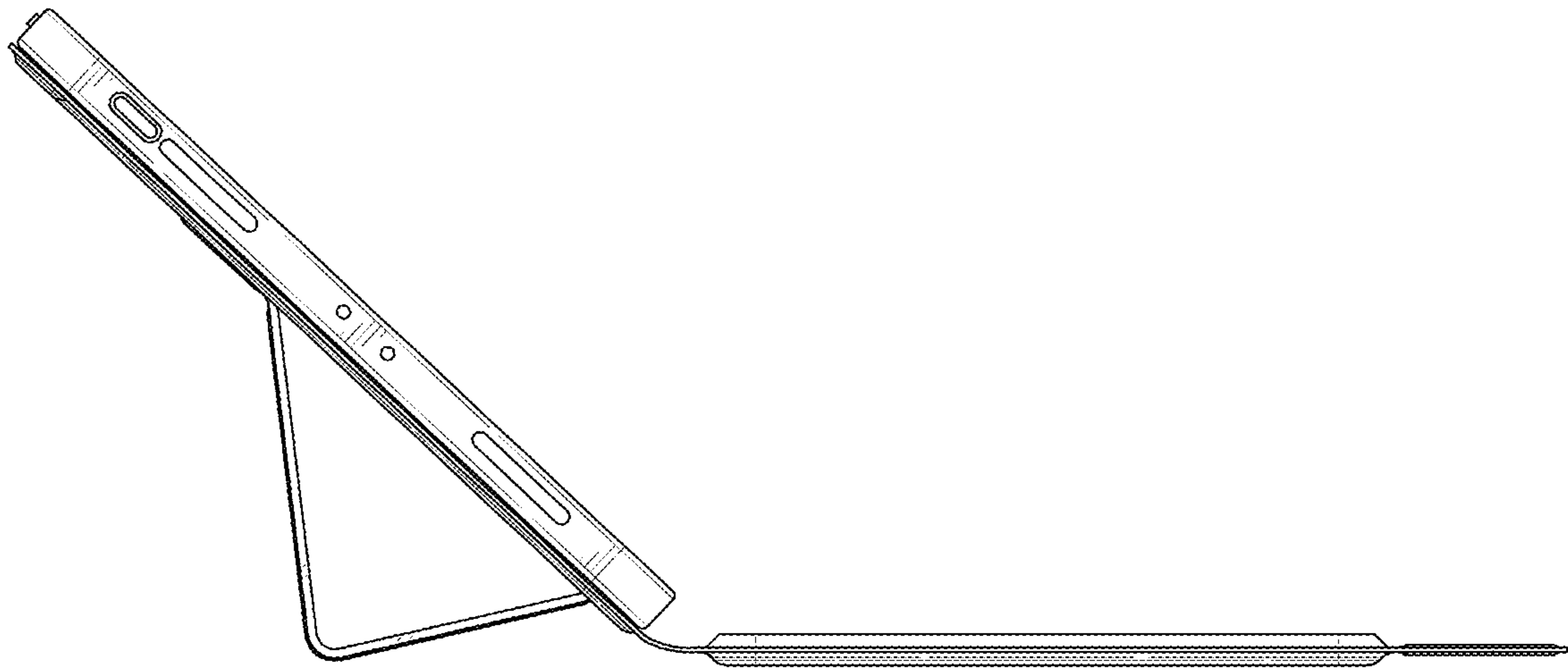


FIG. 5

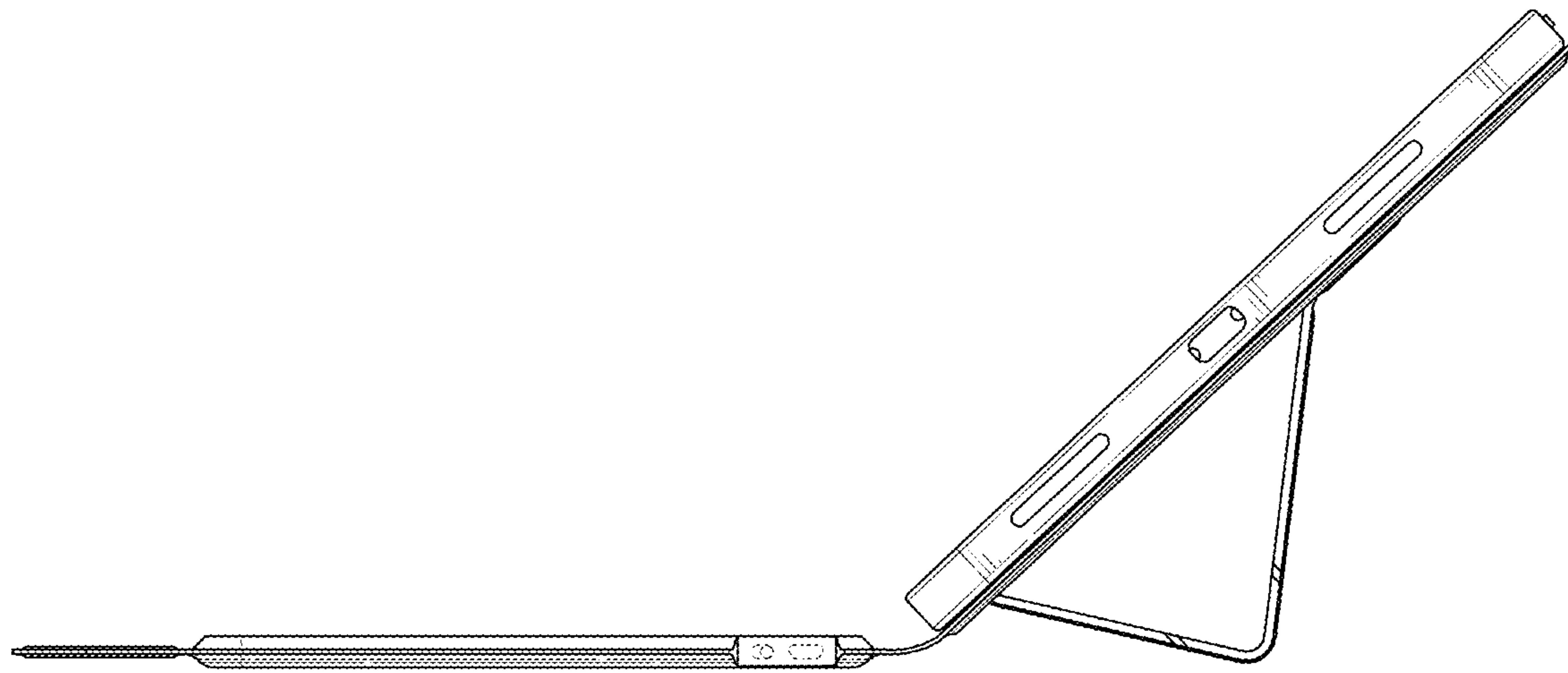


FIG. 6



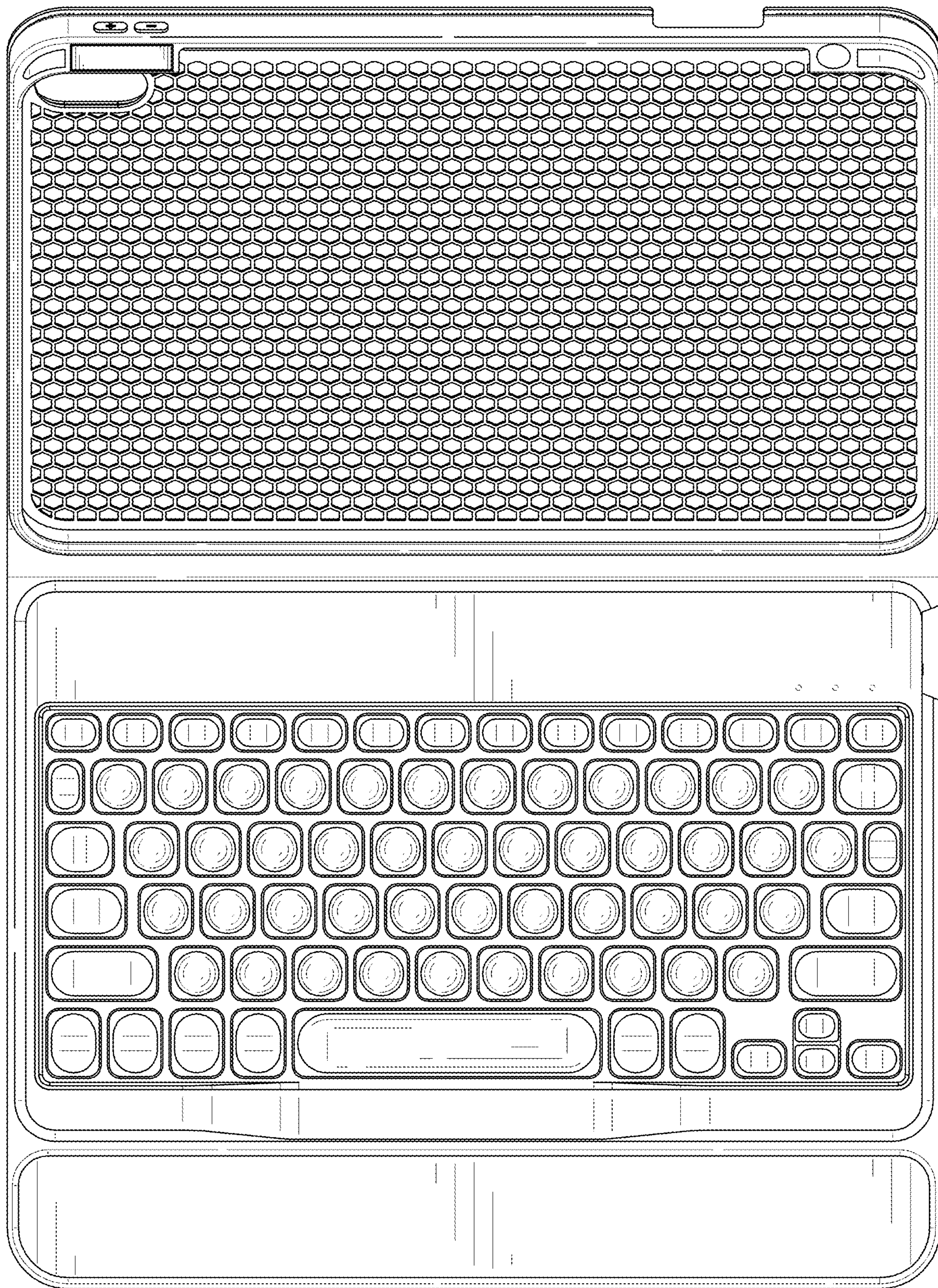


FIG. 7



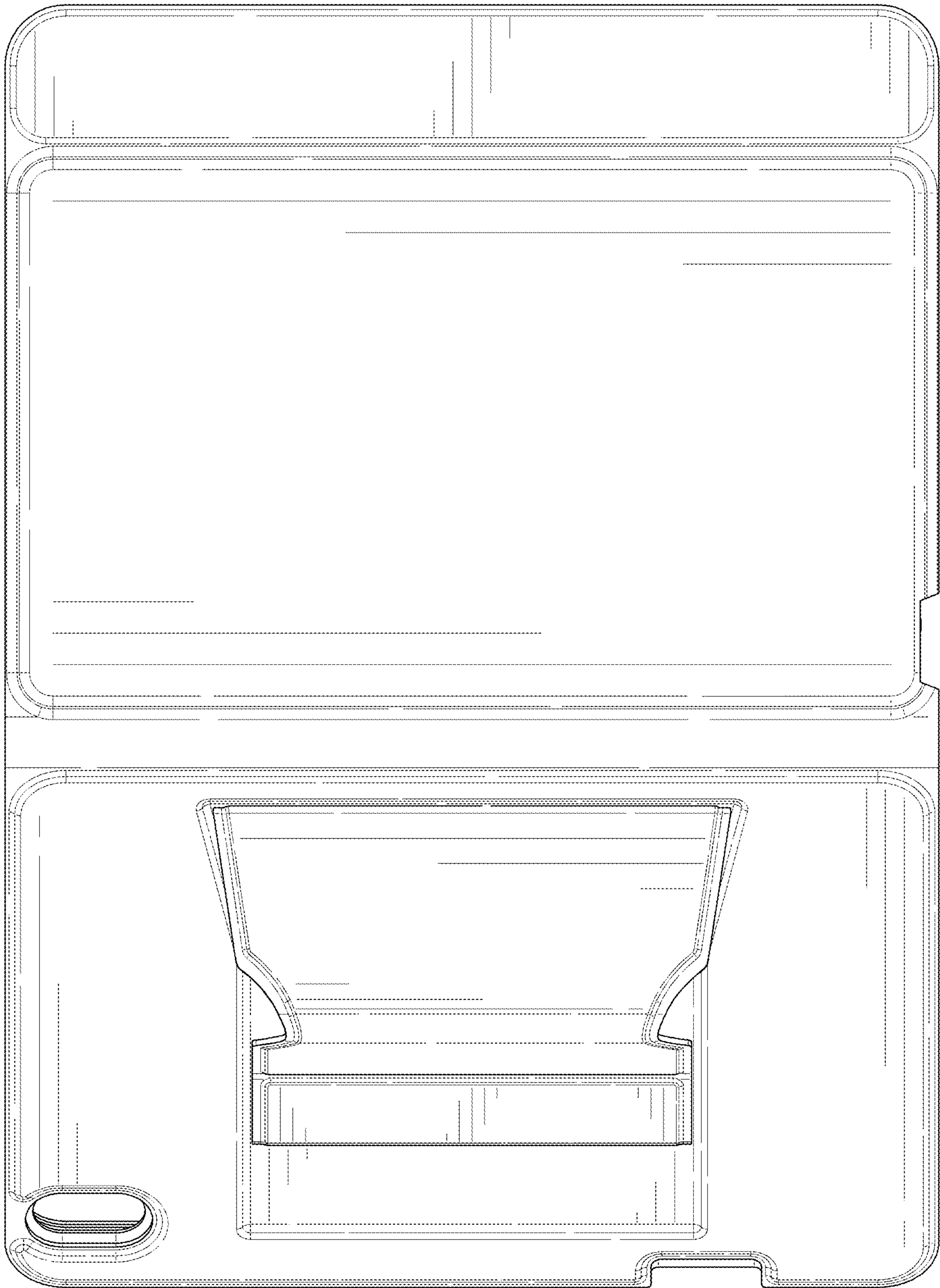


FIG. 8

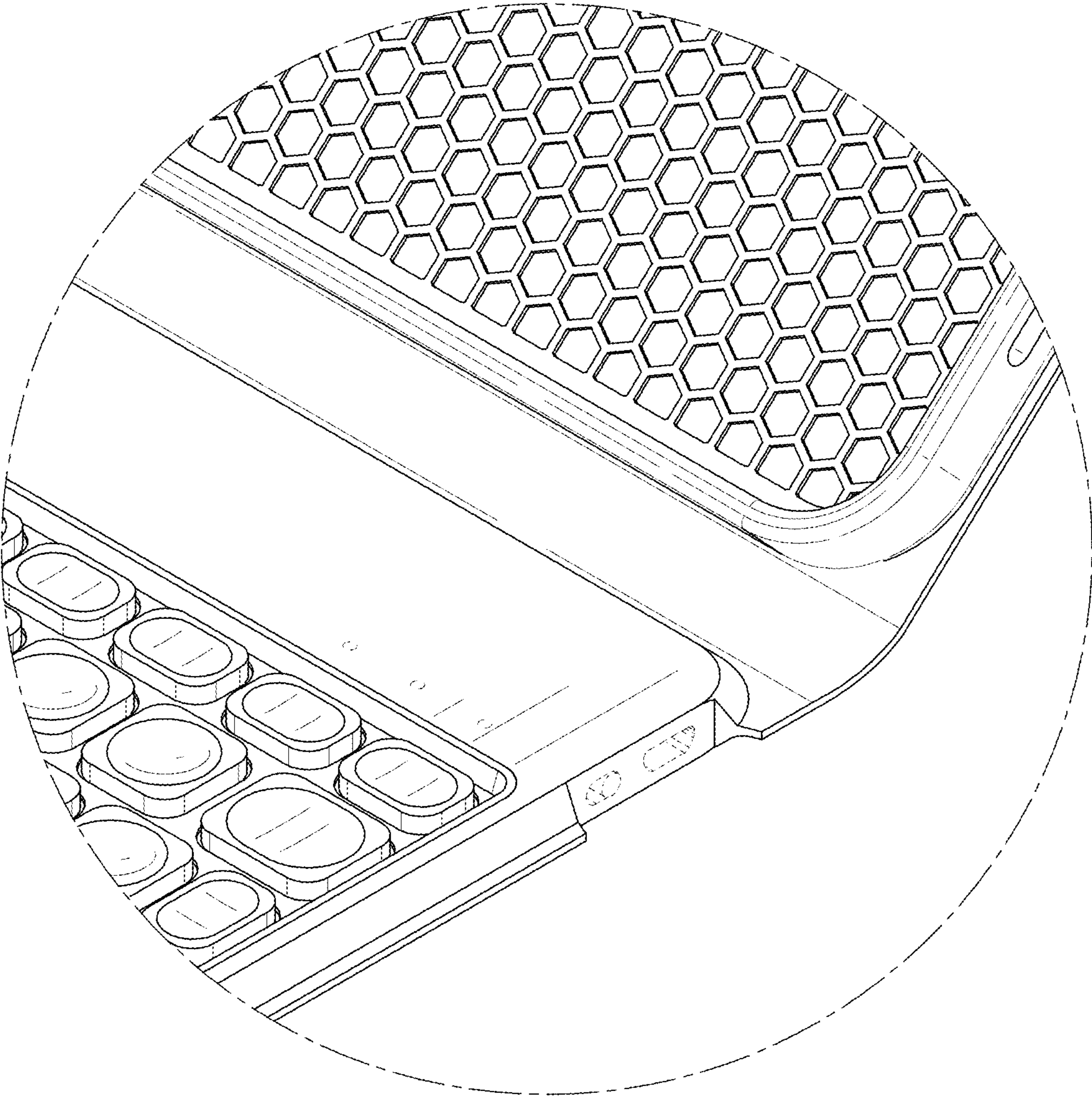


FIG. 9



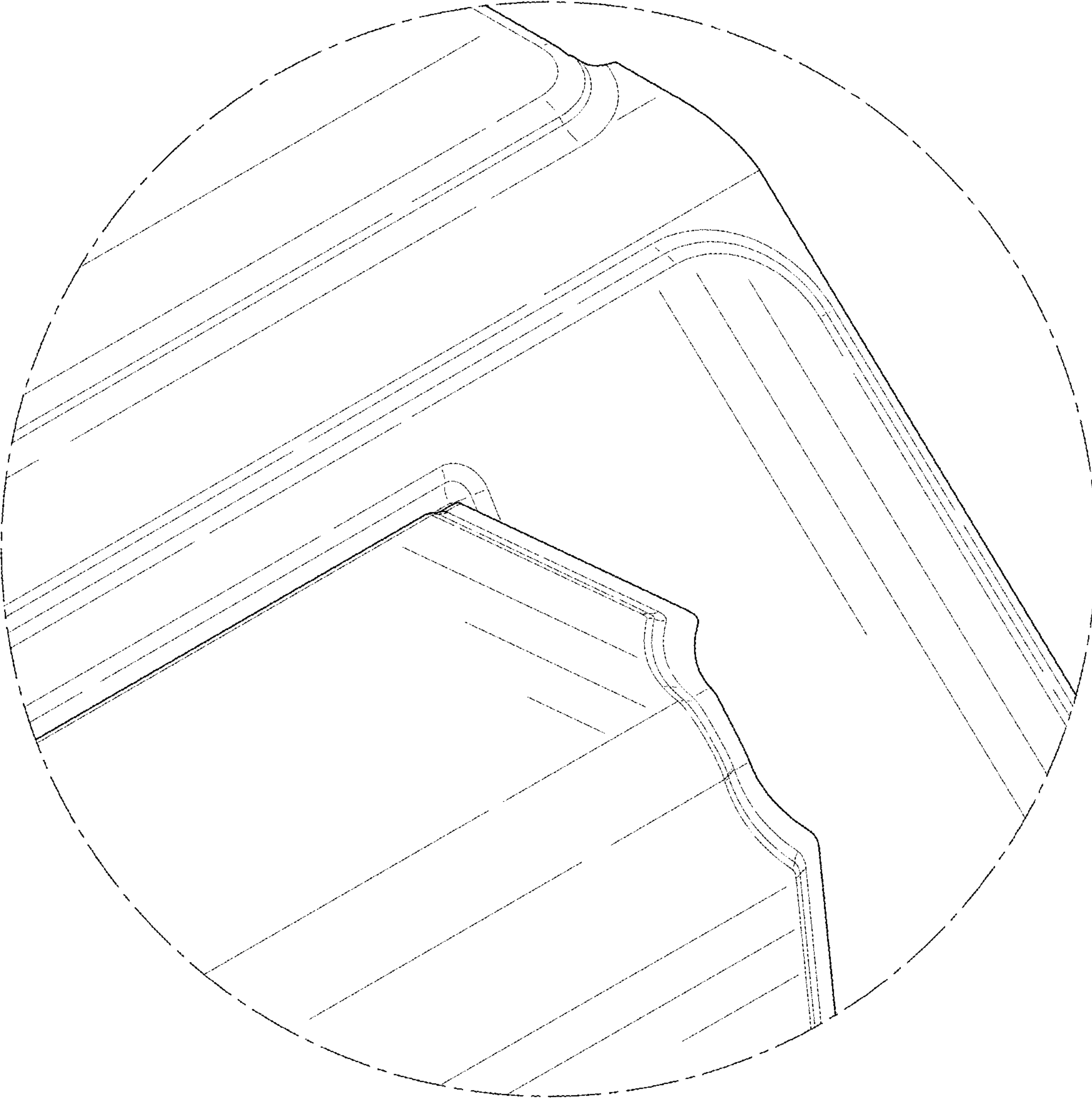


FIG. 10

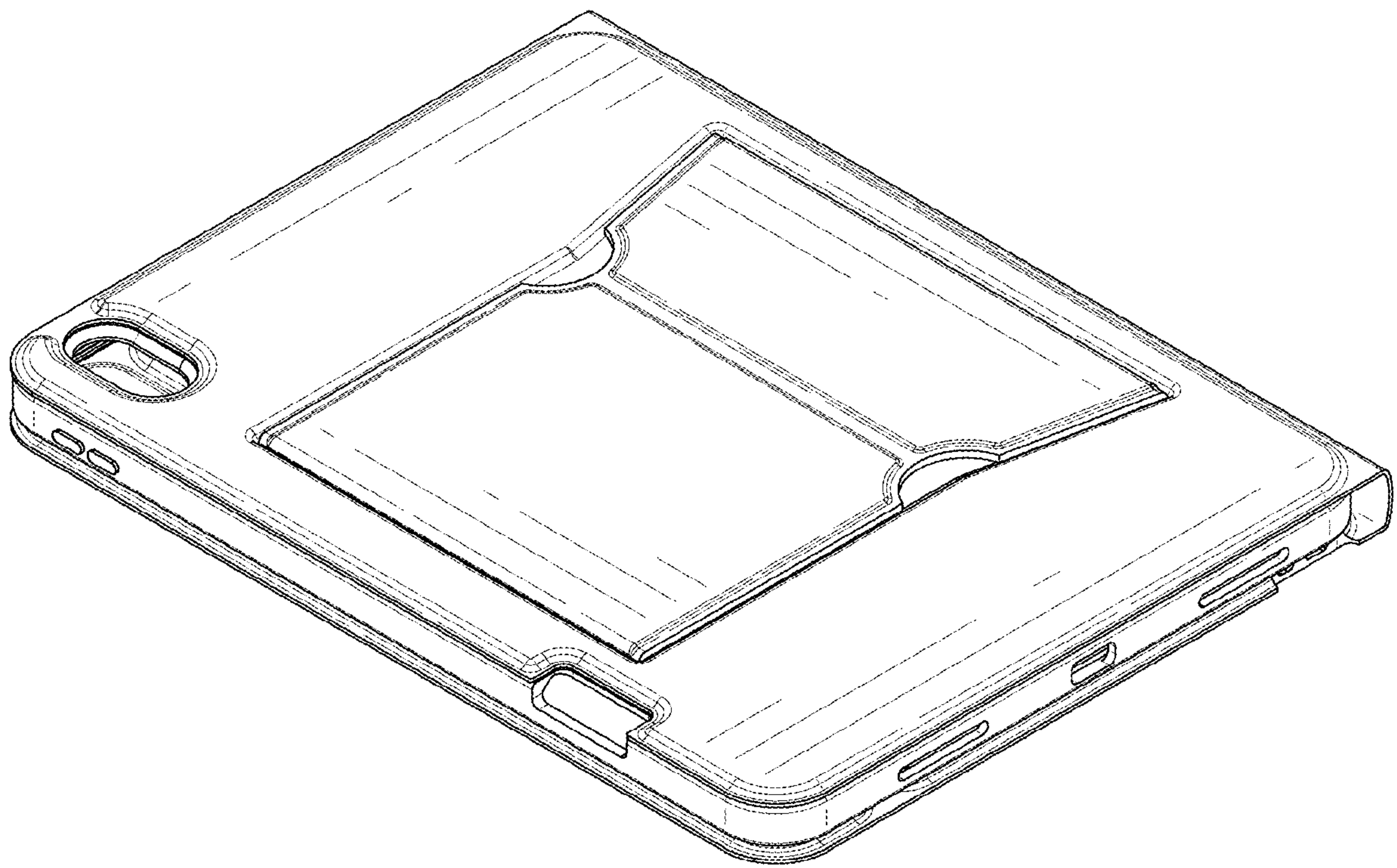


FIG. 11

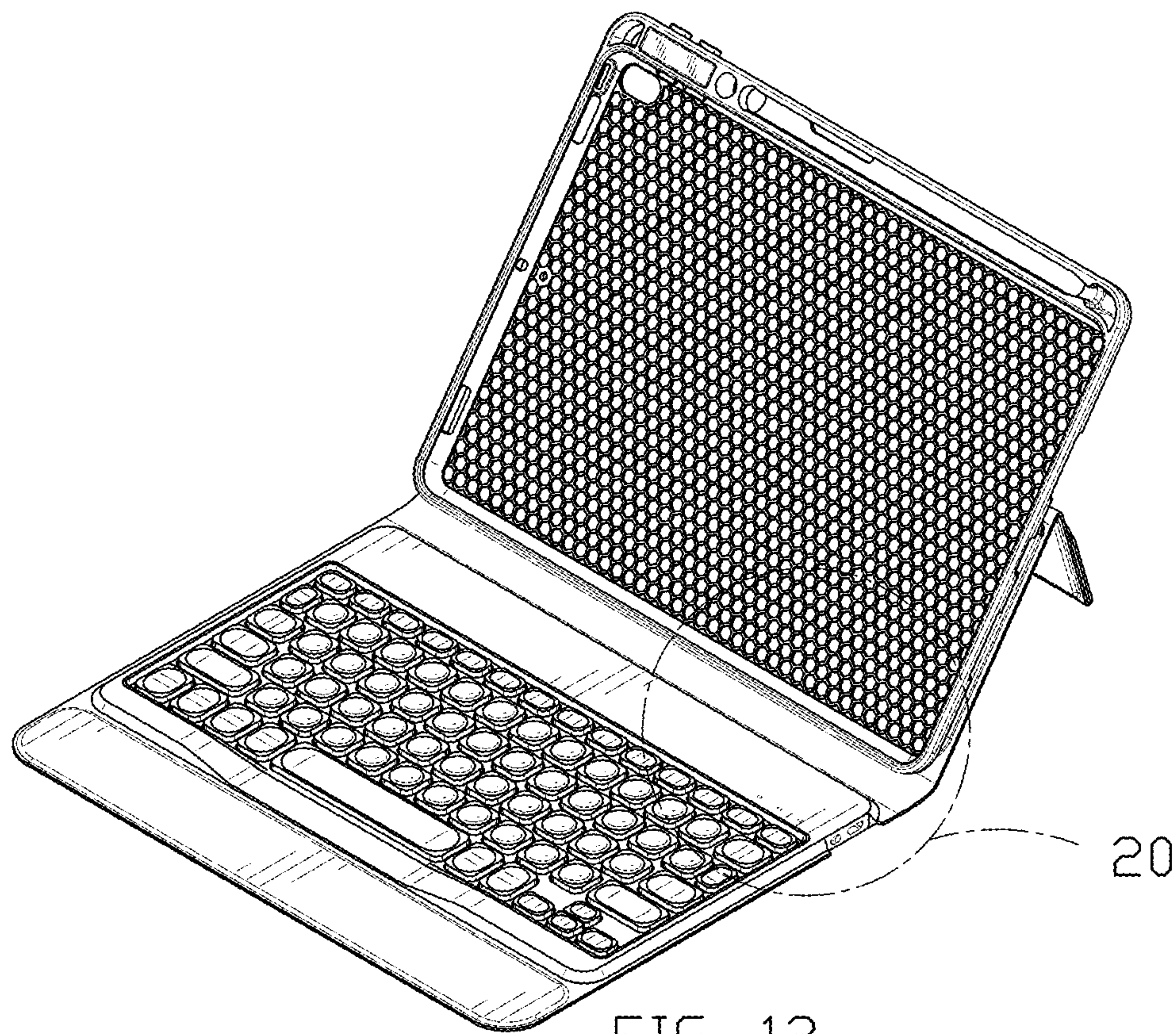
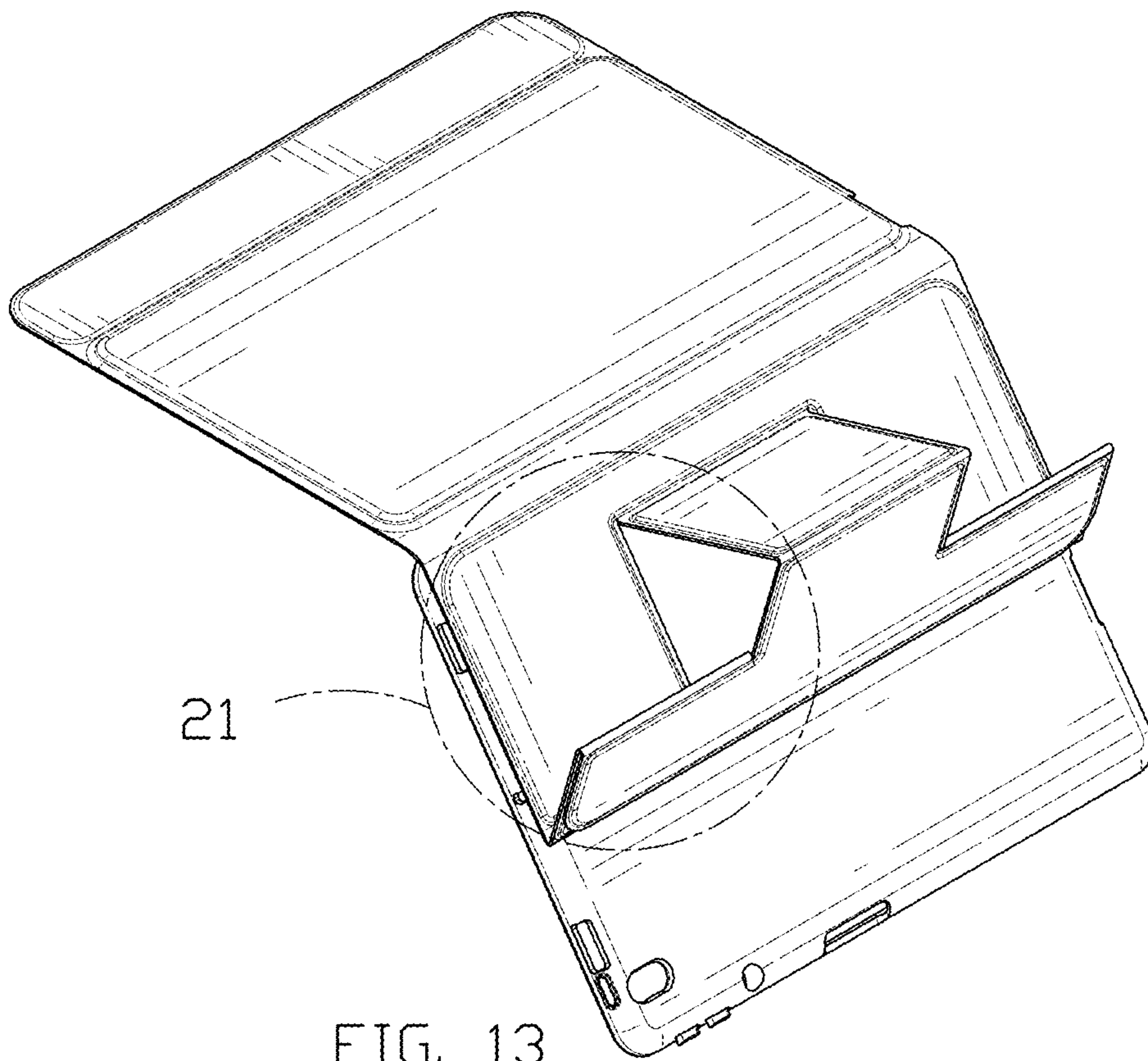


FIG. 12





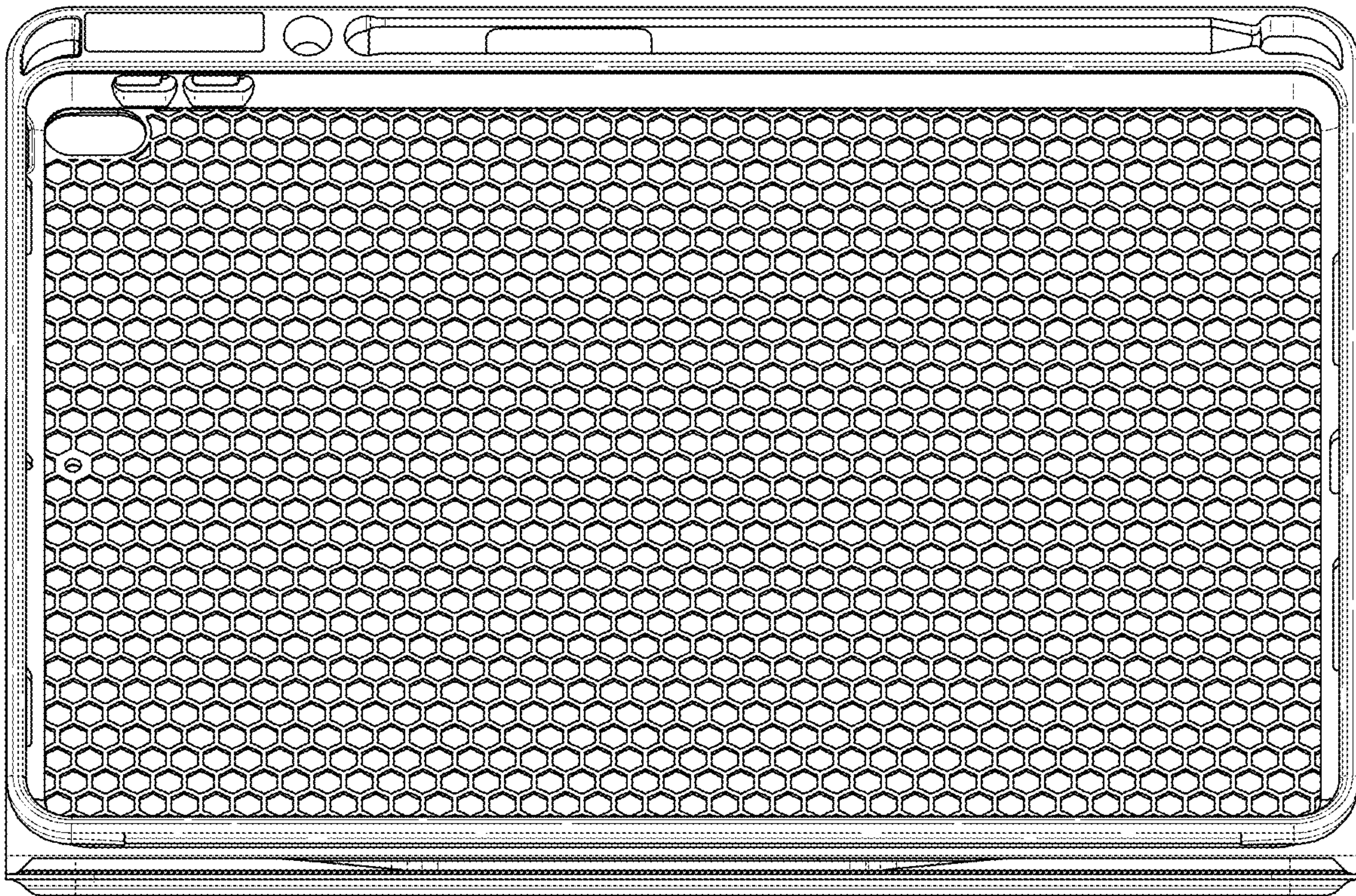


FIG. 14



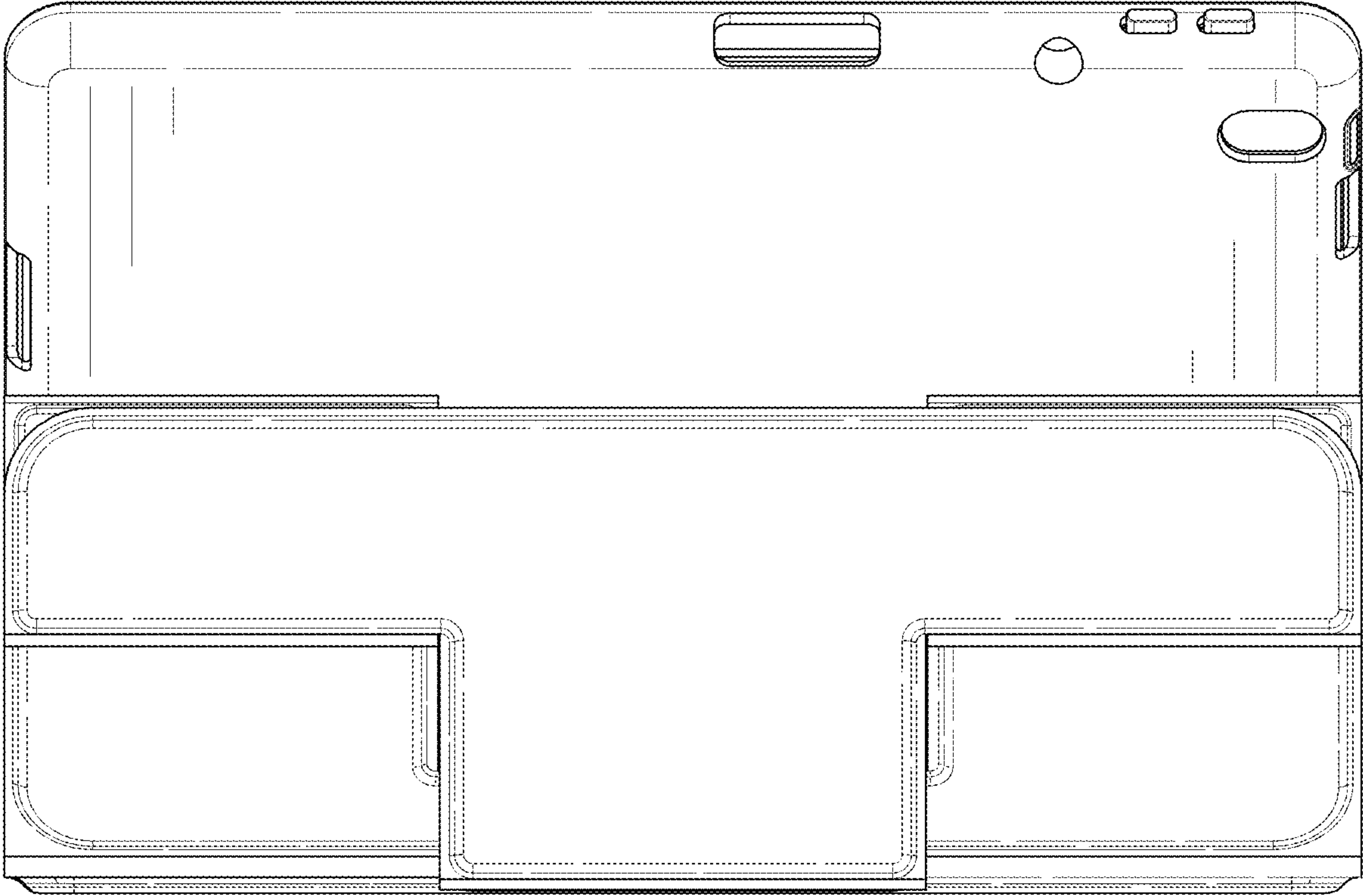


FIG. 15



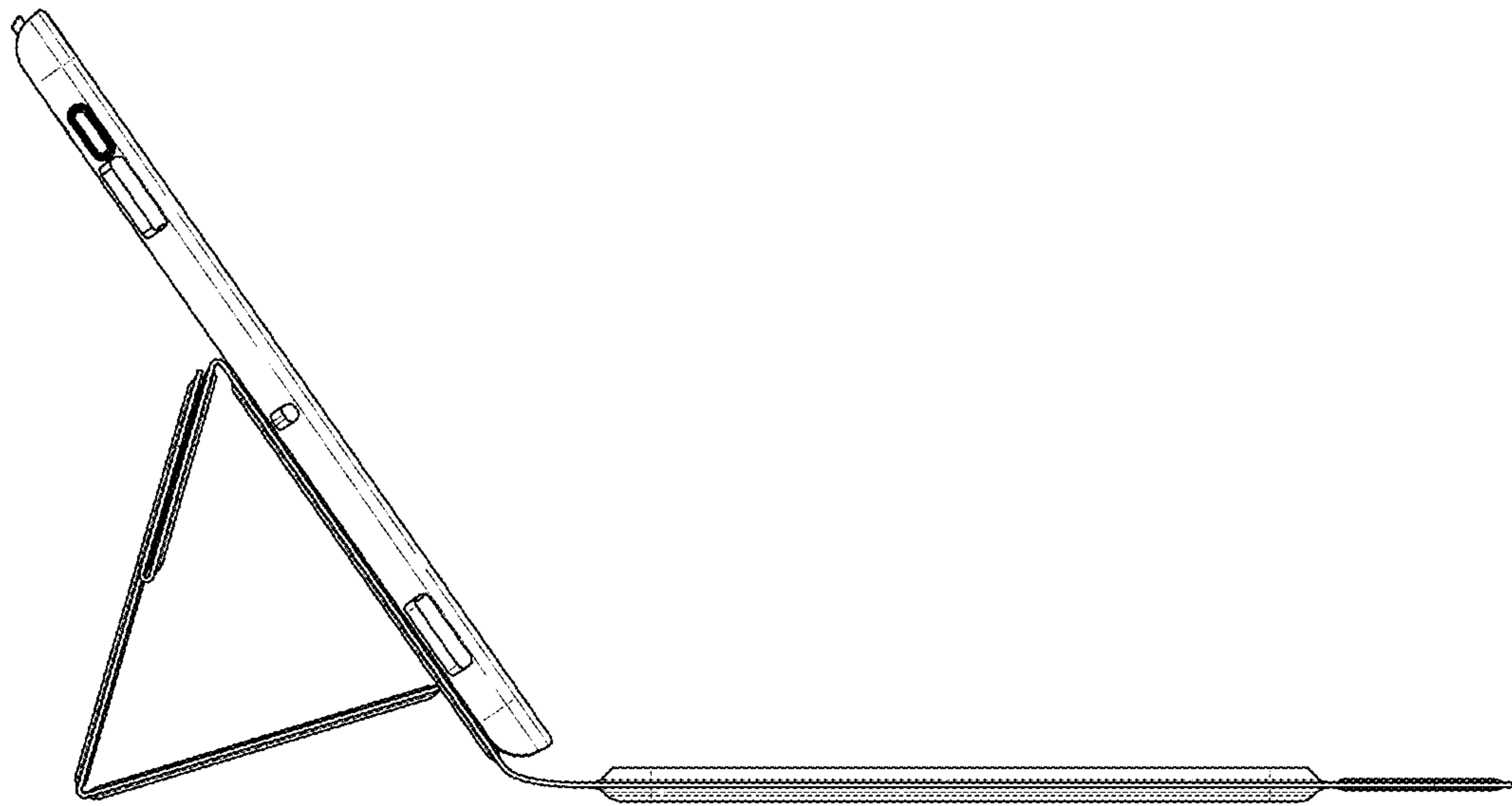


FIG. 16

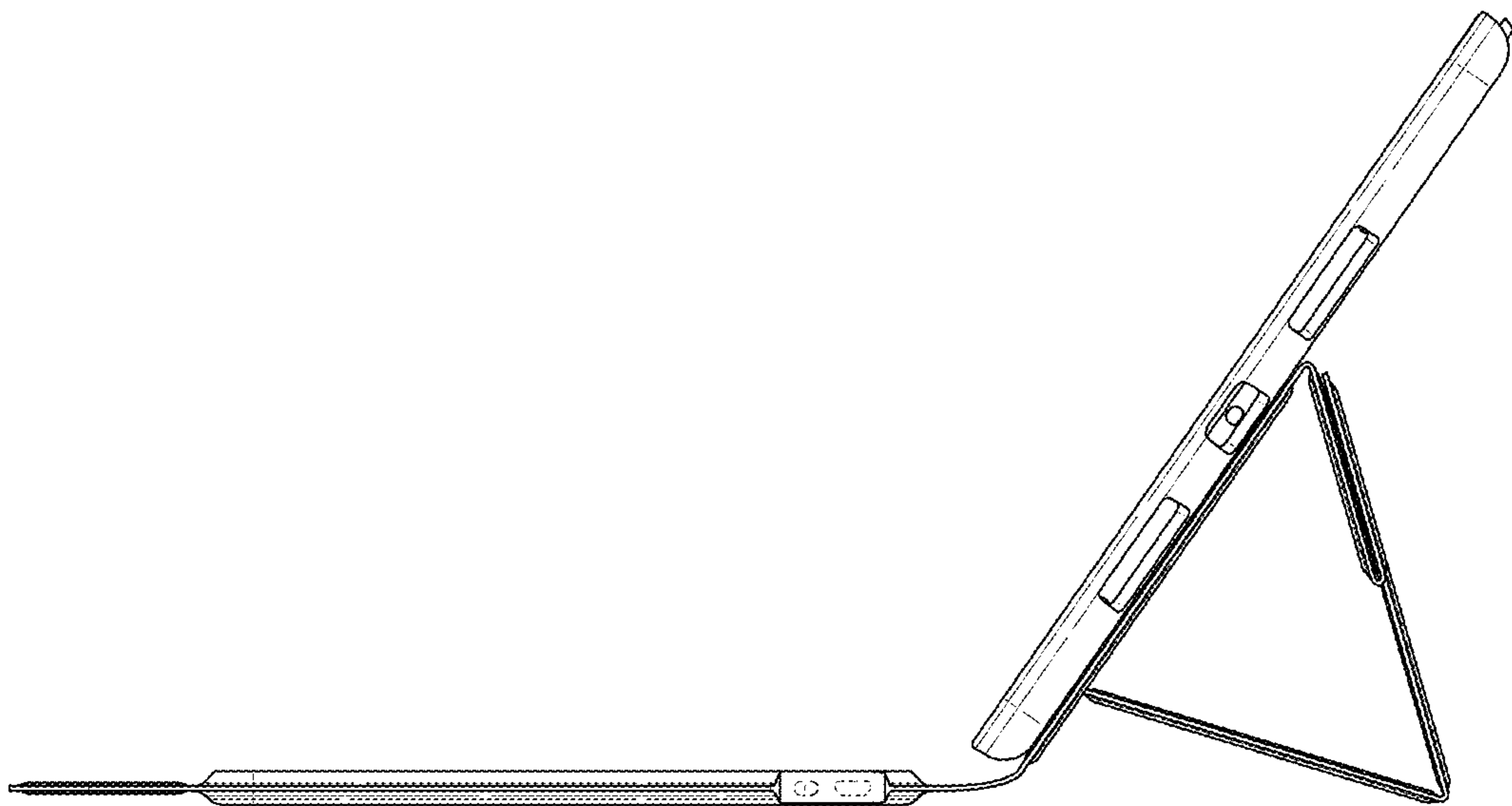


FIG. 17



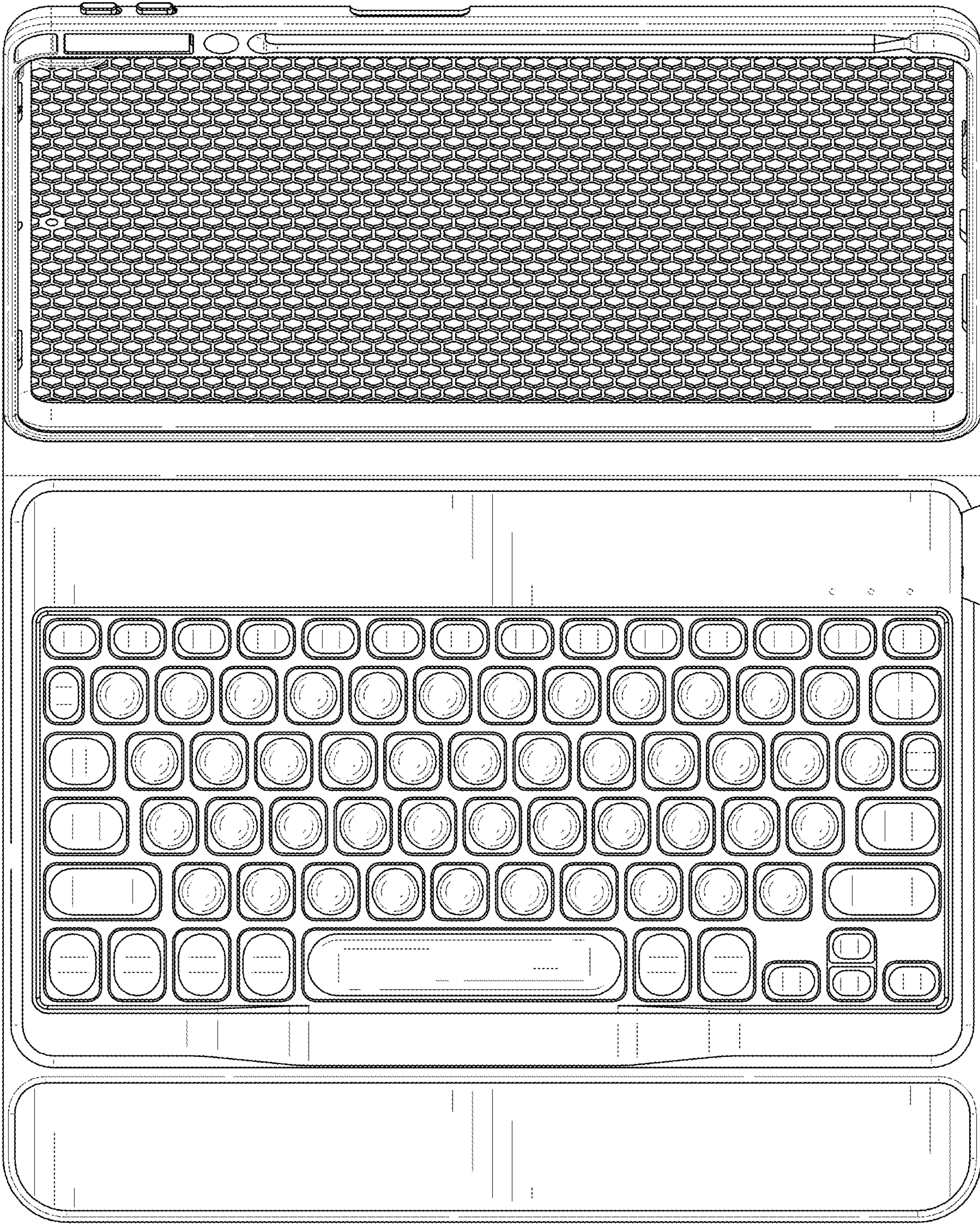


FIG. 18



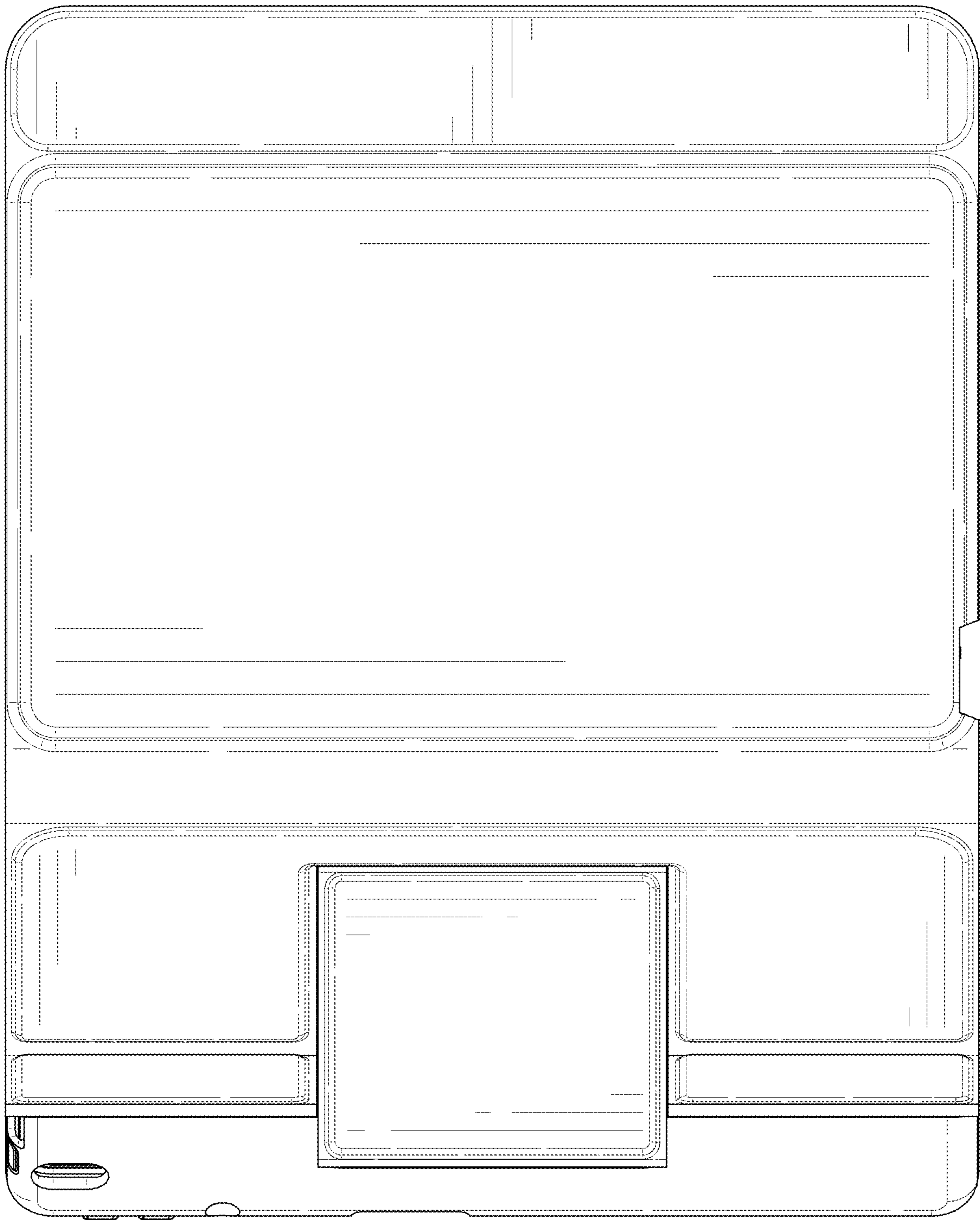


FIG. 19

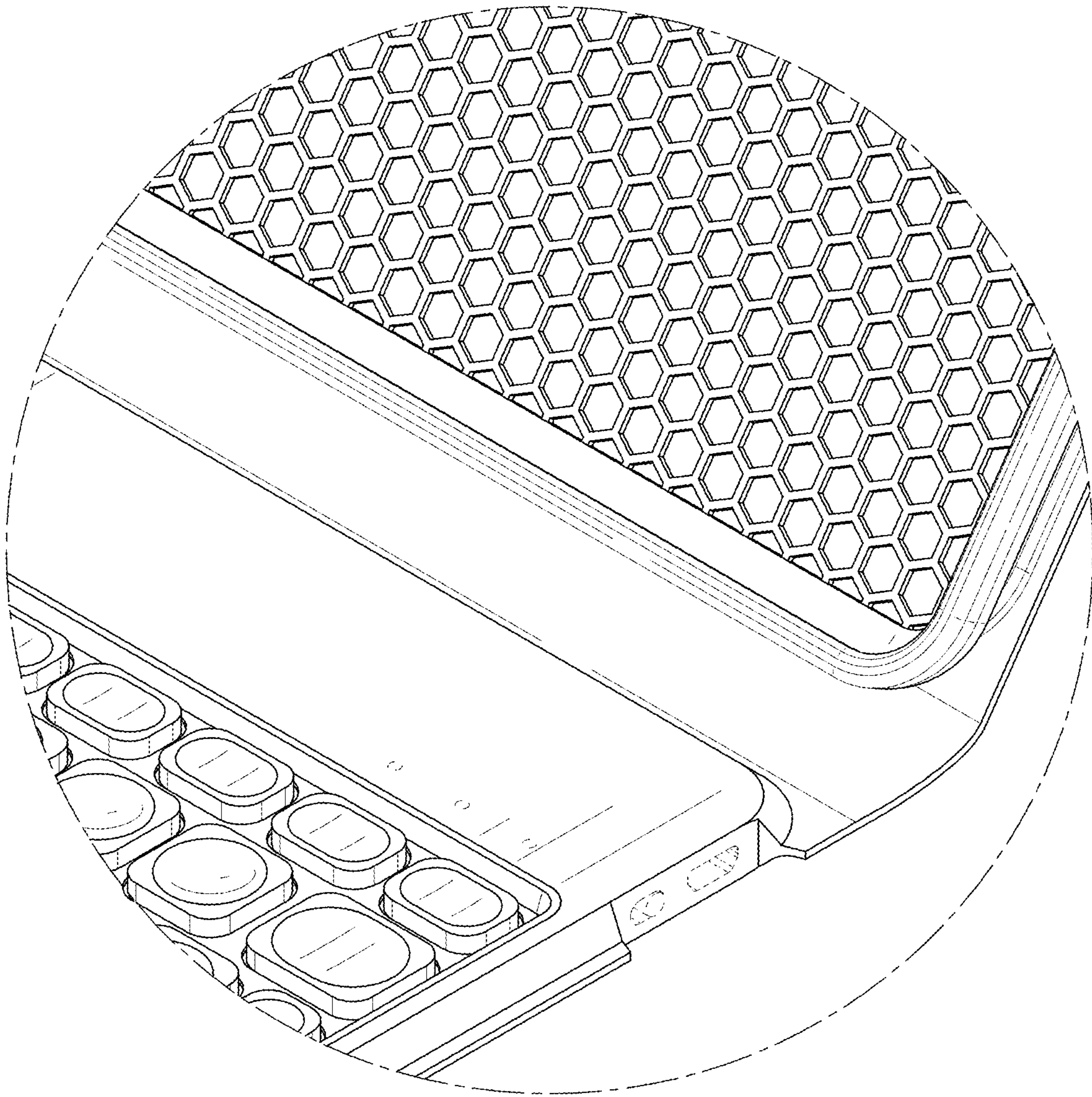


FIG. 20

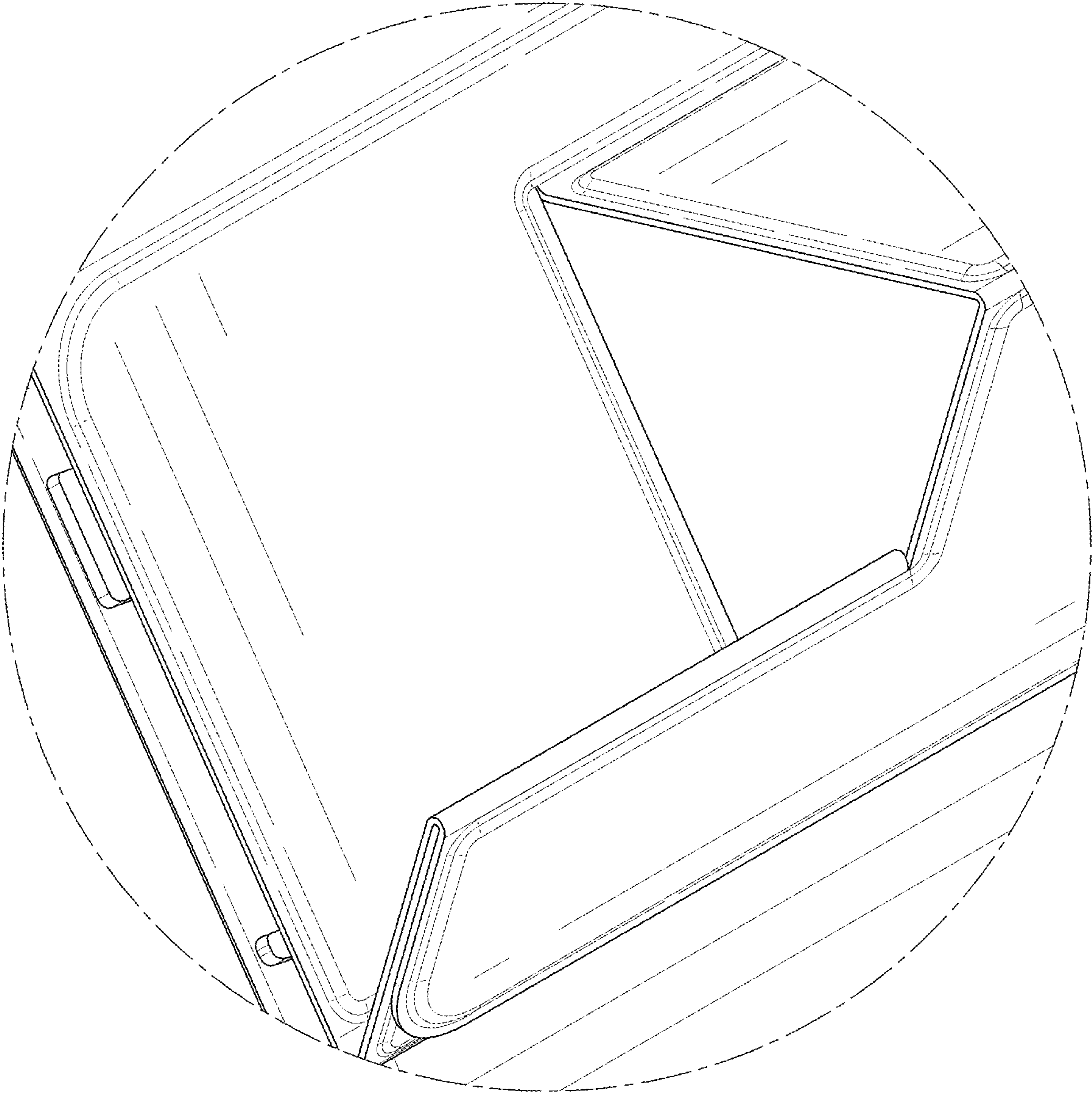


FIG. 21



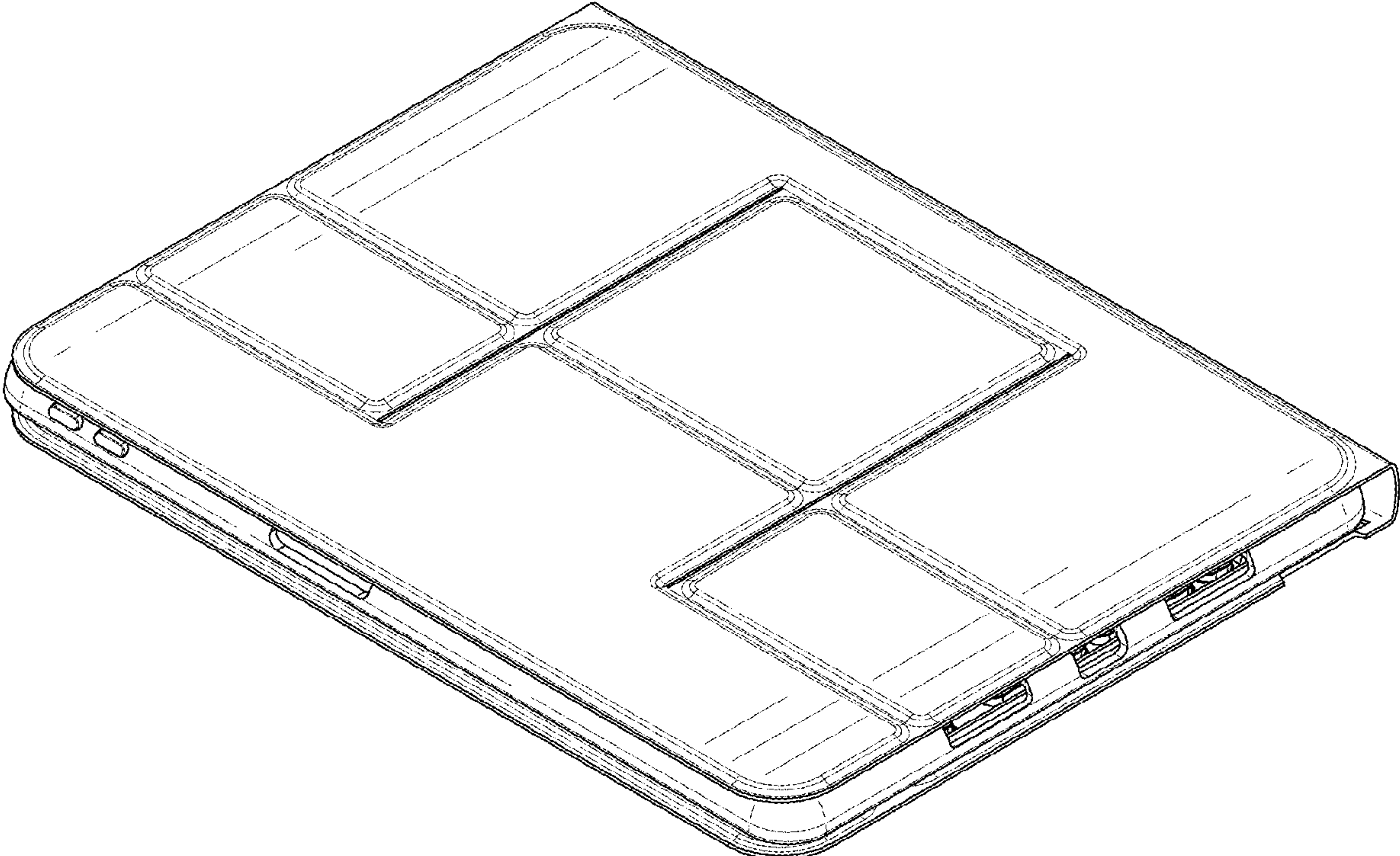


FIG. 22