



US00D928164S

(12) **United States Design Patent** (10) **Patent No.:** **US D928,164 S**  
**Li** (45) **Date of Patent:** **\*\* Aug. 17, 2021**

(54) **CASE FOR TABLET COMPUTER**  
(71) Applicant: **Zhongxing Li**, Guangdong (CN)  
(72) Inventor: **Zhongxing Li**, Guangdong (CN)  
(\*\*) Term: **15 Years**  
(21) Appl. No.: **29/713,576**  
(22) Filed: **Nov. 17, 2019**  
(51) **LOC (13) Cl.** ..... **14-02**  
(52) **U.S. Cl.**  
USPC ..... **D14/440**  
(58) **Field of Classification Search**  
USPC ..... D14/440, 447, 250; 206/45.23, 320,  
206/45.2; 361/679.55; 294/25; 224/218  
CPC ... G06F 1/1628; G06F 1/1626; A47B 23/044;  
H04B 1/3888  
See application file for complete search history.

D811,412 S \* 2/2018 McCurdy ..... D14/440  
D812,620 S \* 3/2018 Cheng ..... D14/440  
D821,405 S \* 6/2018 Chen ..... D14/440  
D852,200 S \* 6/2019 Chan ..... D14/440  
D854,022 S \* 7/2019 Chen ..... D14/440  
D860,212 S \* 9/2019 Ahn ..... D14/440  
D862,442 S \* 10/2019 Wei ..... D14/250  
D862,478 S \* 10/2019 Ahn ..... D14/440  
D862,479 S \* 10/2019 Ahn ..... D14/440  
D862,480 S \* 10/2019 Chan ..... D14/440  
D879,104 S \* 3/2020 Li ..... D14/440  
D879,789 S \* 3/2020 Li ..... D14/440  
D881,197 S \* 4/2020 Chen ..... D14/440  
D881,893 S \* 4/2020 Zaxiang ..... D14/440  
D881,894 S \* 4/2020 Zhang ..... D14/440  
D884,709 S \* 5/2020 Cheng ..... D14/440  
D886,109 S \* 6/2020 Li ..... D14/440  
D893,497 S \* 8/2020 Li ..... D14/440  
D897,349 S \* 9/2020 Li ..... D14/440  
2007/0113458 A1 \* 5/2007 Wang ..... F16M 11/10  
40/753

(Continued)

Primary Examiner — Cynthia R Underwood

(56) **References Cited**  
U.S. PATENT DOCUMENTS

D689,056 S \* 9/2013 Li ..... D14/440  
D690,704 S \* 10/2013 Padilla ..... D14/440  
D691,144 S \* 10/2013 Peters ..... D14/440  
D691,146 S \* 10/2013 Perez ..... D14/440  
D727,917 S \* 4/2015 Yeo ..... D14/440  
D733,154 S \* 6/2015 Armstrong ..... D14/440  
D752,052 S \* 3/2016 Park ..... D14/440  
D763,853 S \* 8/2016 Pearce ..... D14/440  
D766,249 S \* 9/2016 Veltz ..... D14/440  
D784,350 S \* 4/2017 Li ..... D14/440  
D784,542 S \* 4/2017 Zwierstra ..... D24/186  
D790,550 S \* 6/2017 Chen ..... D14/440  
D803,221 S \* 11/2017 Guo ..... D14/440  
D806,080 S \* 12/2017 Chen ..... D14/440  
D807,366 S \* 1/2018 Chen ..... D14/440  
D807,369 S \* 1/2018 Chen ..... D14/440  
D807,513 S \* 1/2018 Eslava ..... D24/186  
D808,973 S \* 1/2018 Chen ..... D14/440

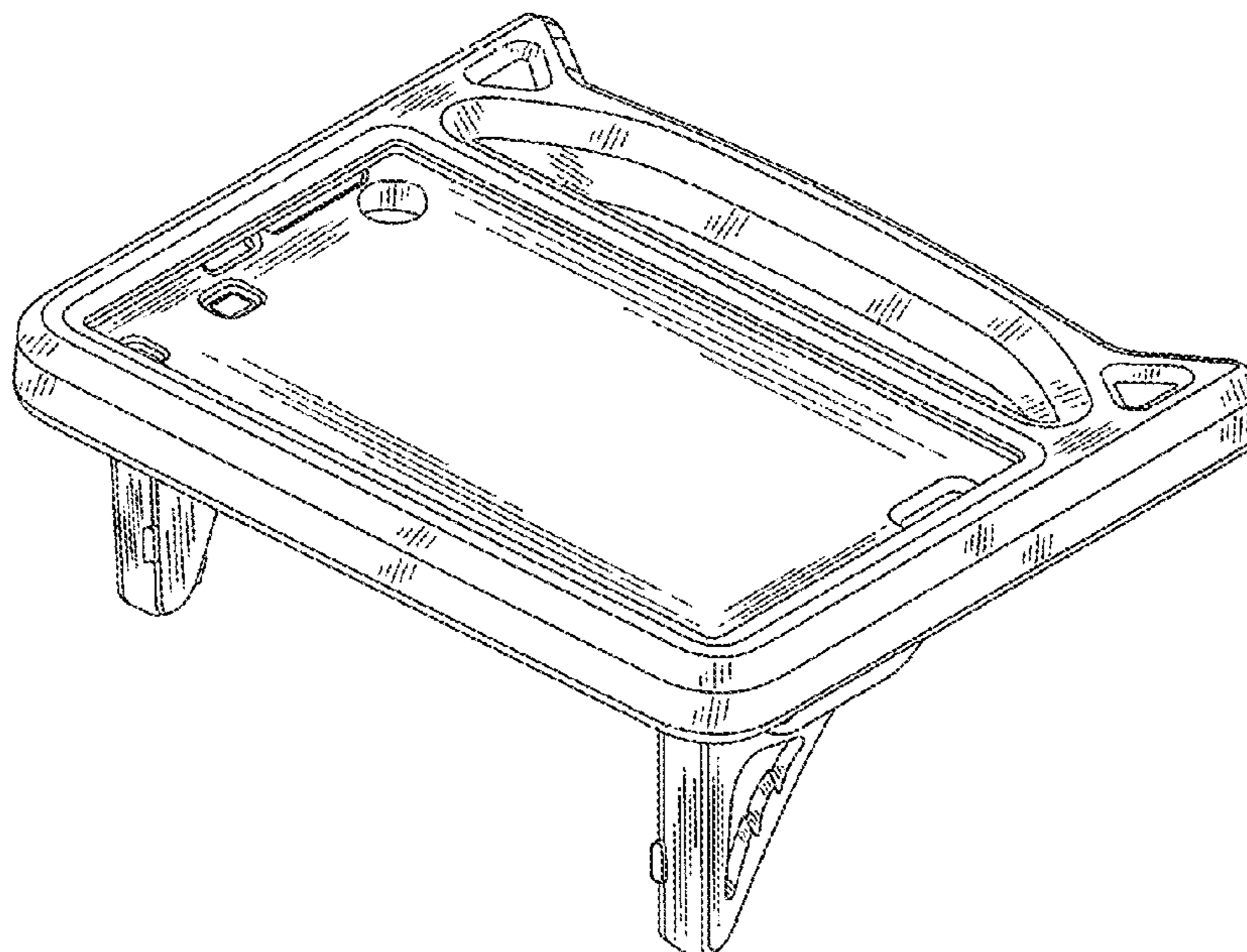
(57) **CLAIM**

The ornamental design for a case for tablet computer, as shown and described.

**DESCRIPTION**

FIG. 1 is a perspective view of a case for tablet computer showing my new design;  
FIG. 2 is a front elevation view thereof;  
FIG. 3 is a rear elevation view thereof;  
FIG. 4 is a left side elevation view thereof;  
FIG. 5 is a right side elevation view thereof;  
FIG. 6 is a top plan view thereof; and,  
FIG. 7 is a bottom plan view thereof.  
The broken lines depict unclaimed portions of the case for tablet computer.

**1 Claim, 7 Drawing Sheets**



(56)

**References Cited**

U.S. PATENT DOCUMENTS

2012/0075799 A1\* 3/2012 Pollex ..... F16M 11/041  
361/679.56  
2012/0145843 A1\* 6/2012 Ho ..... F16M 13/00  
248/176.3  
2017/0045920 A1\* 2/2017 Armstrong ..... G06F 1/1669

\* cited by examiner

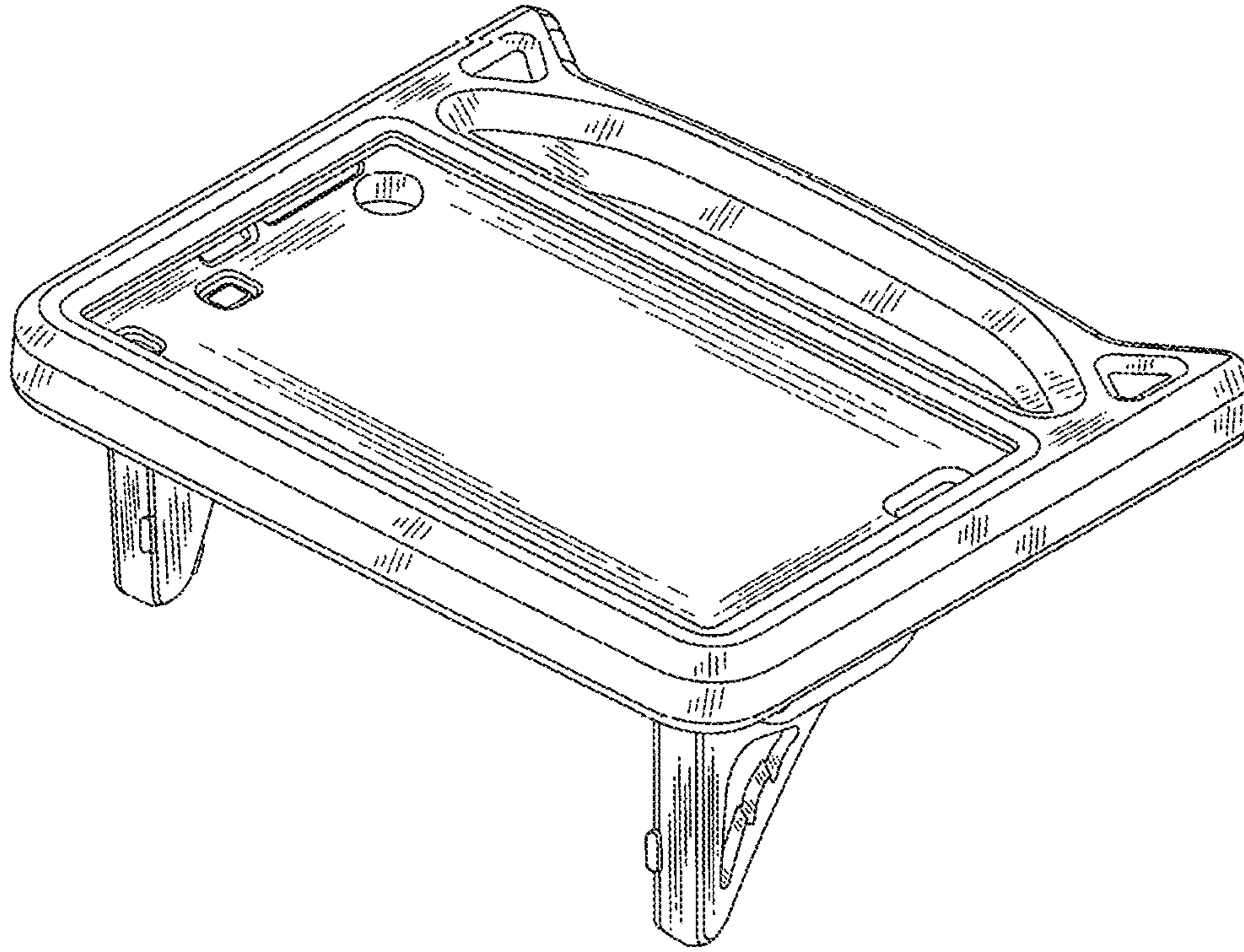


FIG.1

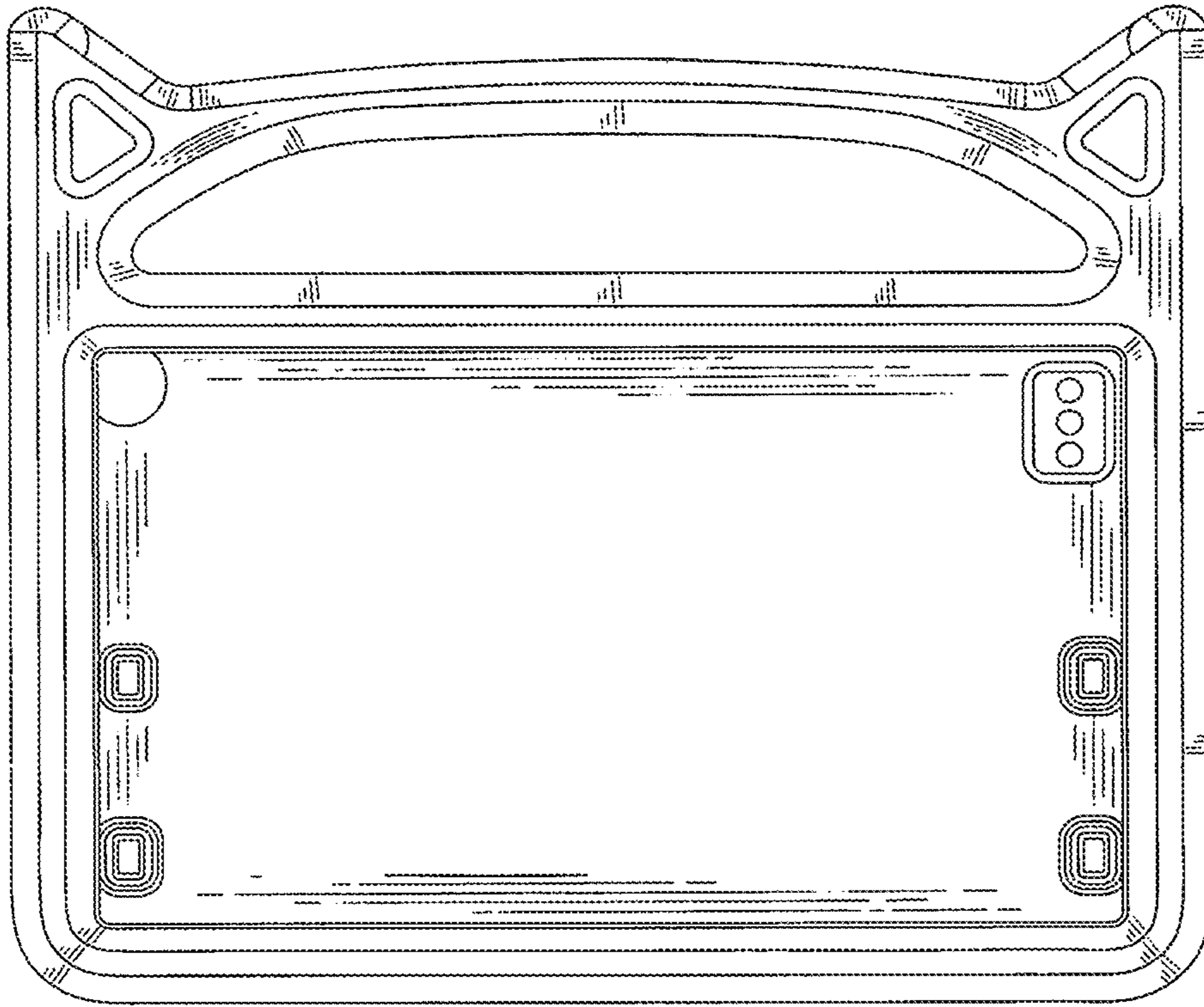


FIG.2

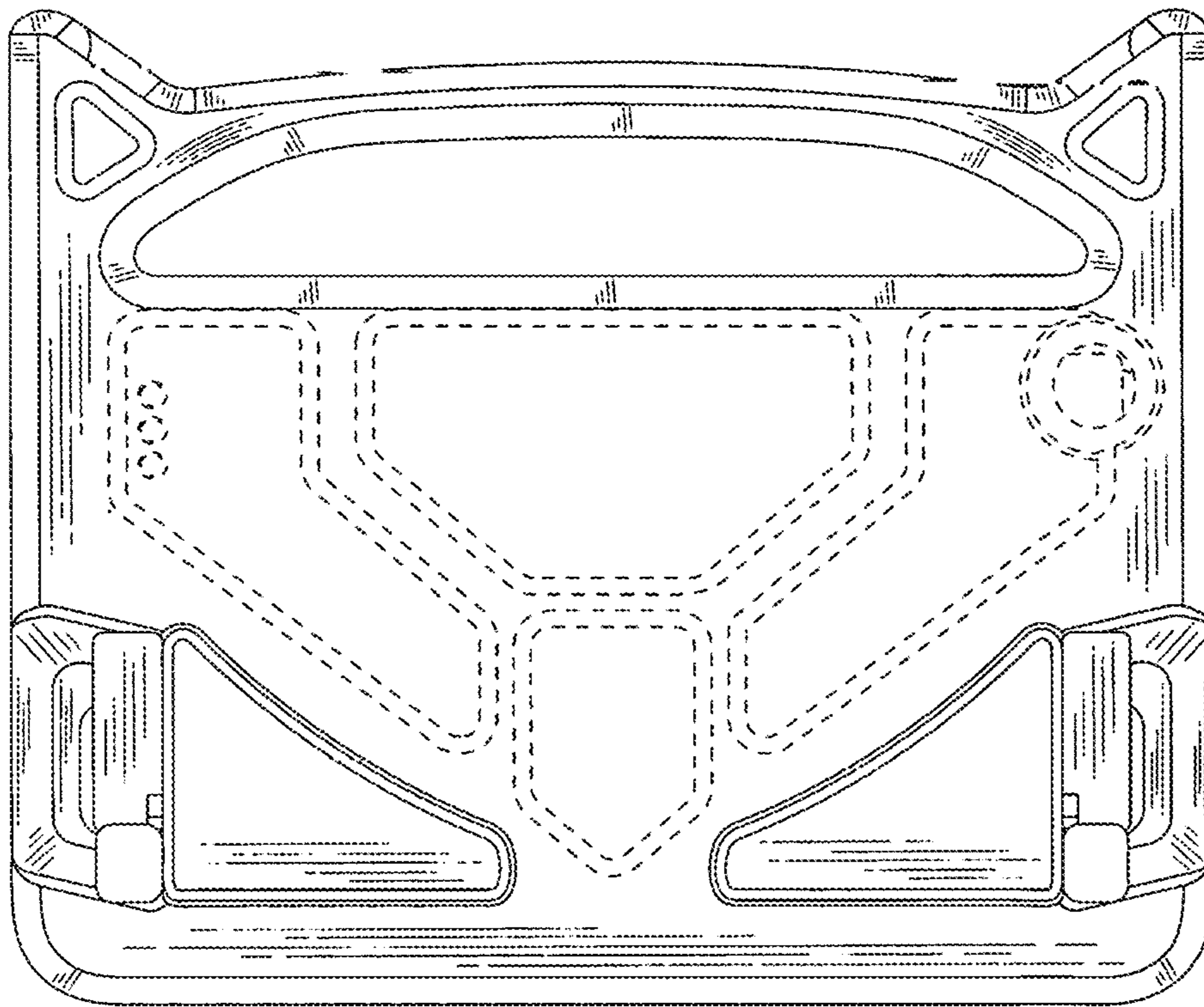


FIG.3

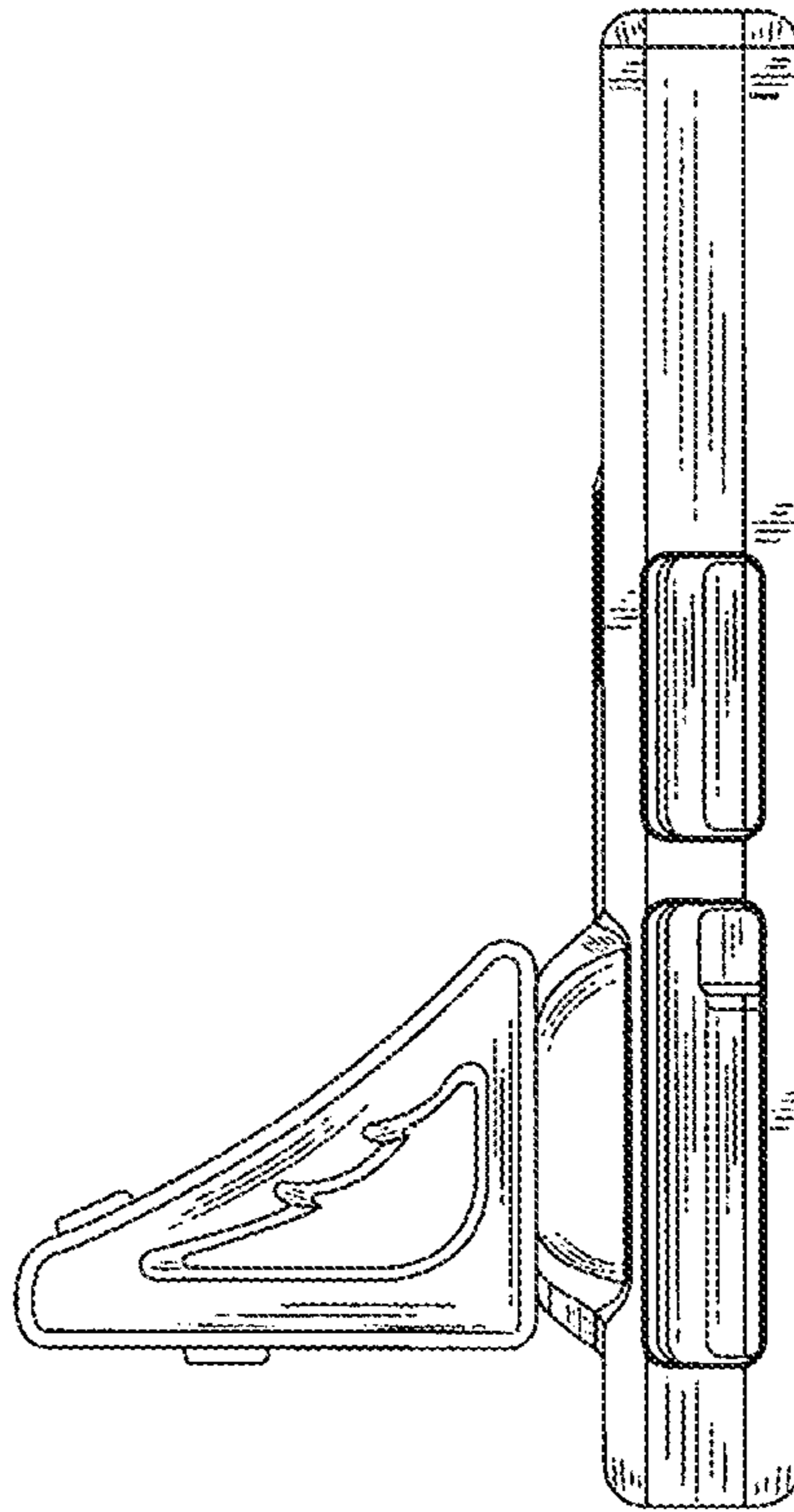


FIG.4

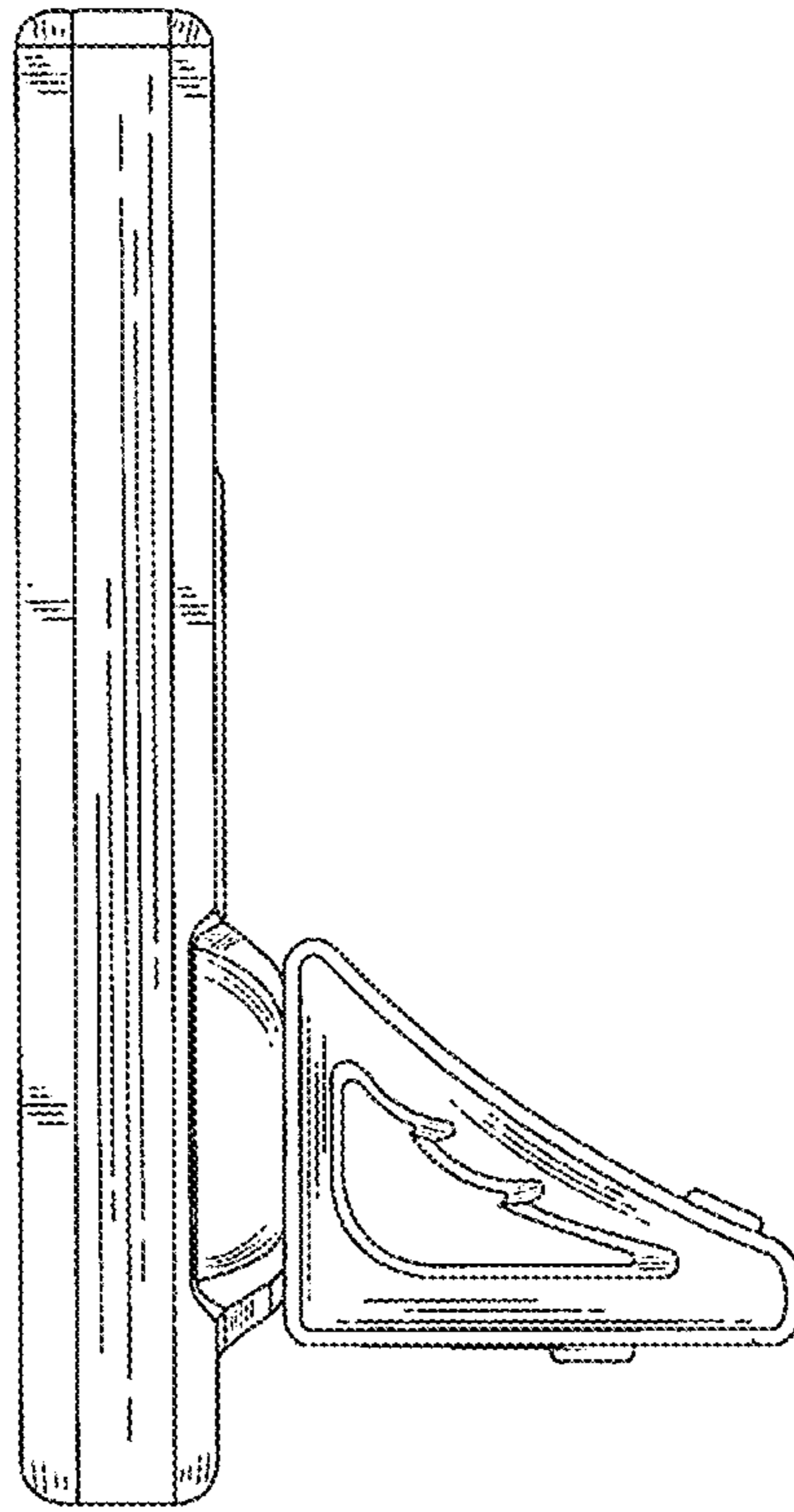


FIG.5

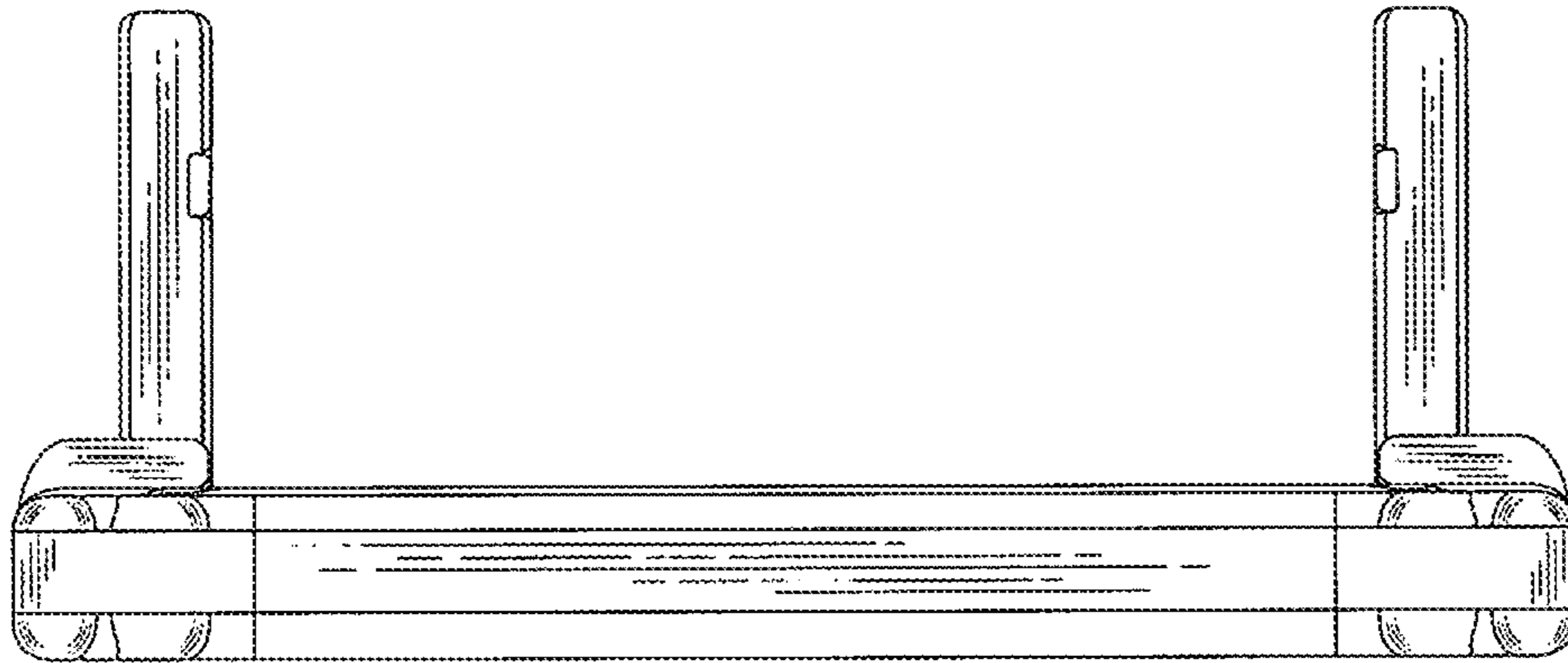


FIG.6



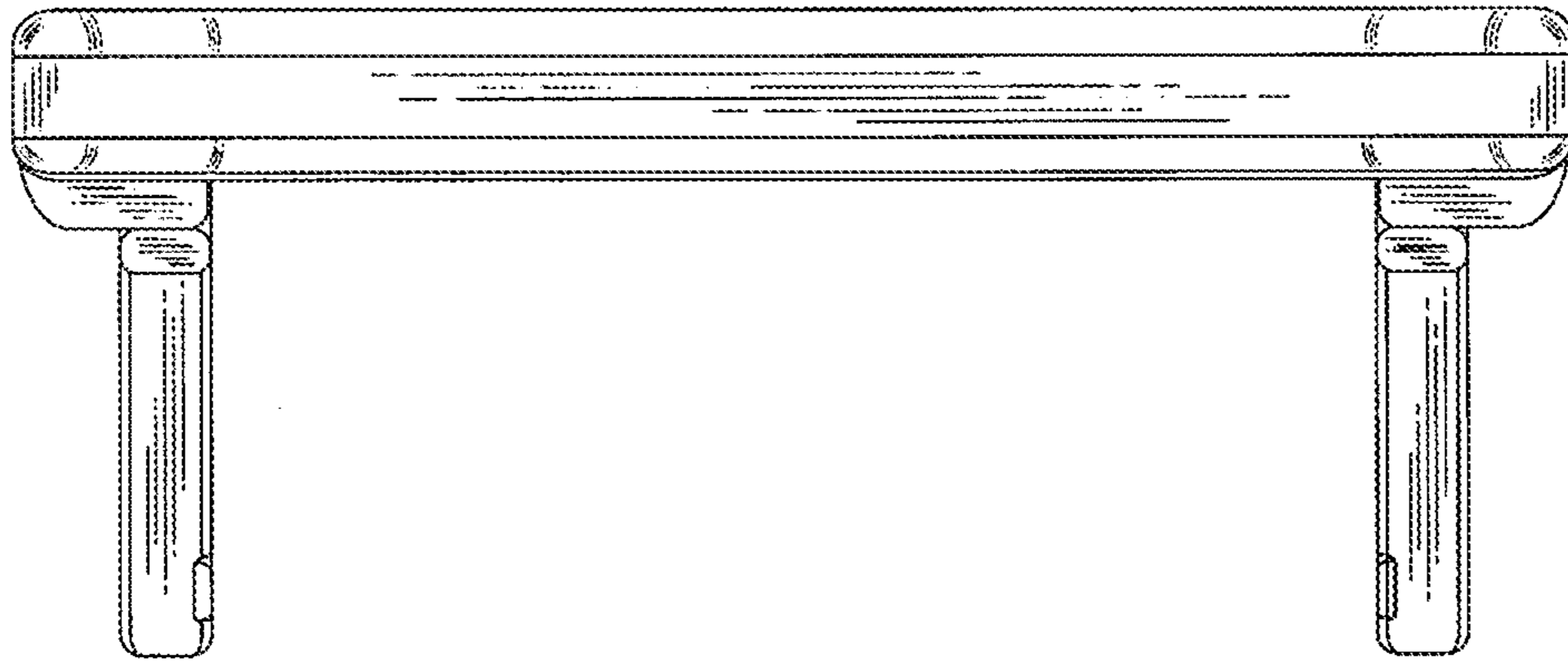


FIG. 7