



US00D928163S

(12) **United States Design Patent** (10) **Patent No.:** **US D928,163 S**
Akana et al. (45) **Date of Patent:** **** Aug. 17, 2021**

(54) **DISPLAY FOR ELECTRONIC DEVICE**

(71) Applicant: **Apple Inc.**, Cupertino, CA (US)

(72) Inventors: **Jody Akana**, San Francisco, CA (US); **Bartley K. Andre**, Palo Alto, CA (US); **Shota Aoyagi**, San Francisco, CA (US); **Anthony Michael Ashcroft**, San Francisco, CA (US); **Jeremy Bataillou**, San Francisco, CA (US); **Daniel J. Coster**, San Francisco, CA (US); **Daniele De Iuliis**, San Francisco, CA (US); **Erik Geddes Pieter De Jong**, San Francisco, CA (US); **M. Evans Hankey**, San Francisco, CA (US); **Julian Hoenig**, San Francisco, CA (US); **Richard P. Howarth**, San Francisco, CA (US); **Jonathan P. Ive**, San Francisco, CA (US); **Peter Kardassakis**, Mountain View, CA (US); **Duncan Robert Kerr**, San Francisco, CA (US); **Marc A. Newson**, London (GB); **Matthew Dean Rohrbach**, San Francisco, CA (US); **Fletcher Rothkopf**, Los Altos, CA (US); **Peter Russell-Clarke**, San Francisco, CA (US); **Benjamin Andrew Shaffer**, San Jose, CA (US); **Anna-Katrina Shedletsky**, Mountain View, CA (US); **Mikael Silvanto**, San Francisco, CA (US); **Christopher J. Stringer**, Woodside, CA (US); **Katherine E. Tong**, San Francisco, CA (US); **Samuel Bruce Weiss**, Los Altos Hills, CA (US); **Eugene Antony Whang**, San Francisco, CA (US); **Rico Zörkendörfer**, San Francisco, CA (US)

(73) Assignee: **Apple Inc.**, Cupertino, CA (US)

(**) Term: **15 Years**

(21) Appl. No.: **29/756,990**

(22) Filed: **Nov. 2, 2020**

Related U.S. Application Data

(63) Continuation of application No. 29/622,918, filed on Oct. 20, 2017, now Pat. No. Des. 900,813, which is a (Continued)

(51) **LOC (13) Cl.** **14-02**

(52) **U.S. Cl.**

USPC **D14/439**

(58) **Field of Classification Search**

USPC D14/371, 373, 125-128, 217, 374, 900, D14/341, 344-345, 348-349, 351-359, (Continued)

(56) **References Cited**

U.S. PATENT DOCUMENTS

D570,506 S * 6/2008 Uemoto D26/1
D597,543 S * 8/2009 Urban D14/356
(Continued)

FOREIGN PATENT DOCUMENTS

CN 304296834 * 9/2017
EM 002632026-0001 * 8/2014
(Continued)

OTHER PUBLICATIONS

One Smart Watch, Otium, allaboutcircuits.com, published by Alex Udanic on Apr. 12, 2016 © EETech Media, LLC, online, site visited May 14, 2021. Available at URL: <https://www.allaboutcircuits.com/news/teardown-tuesday-budget-smartwatch/> (Year: 2016).*
(Continued)

Primary Examiner — Sandra Snapp
Assistant Examiner — Altaira J Swangin
(74) *Attorney, Agent, or Firm* — Sterne, Kessler, Goldstein & Fox P.L.L.C.

(57) **CLAIM**

The ornamental design for a display for electronic device, as shown and described.

DESCRIPTION

FIG. 1 is a front perspective view of a display for electronic device showing the claimed design;
FIG. 2 is a rear perspective view thereof;
FIG. 3 is a front view thereof;
(Continued)

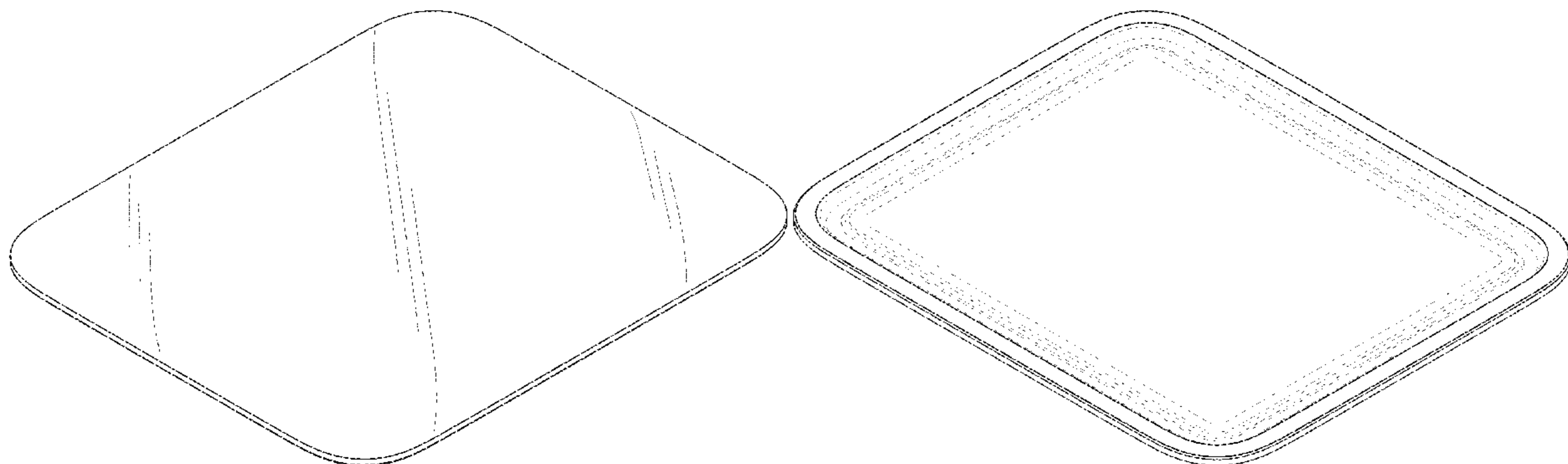


FIG. 4 is a rear view thereof;
 FIG. 5 is a left side view thereof;
 FIG. 6 is a right side view thereof;
 FIG. 7 is a top view thereof; and,
 FIG. 8 is a bottom view thereof.
 The broken lines in the figures show portions of the display for electronic device that form no part of the claimed design.

1 Claim, 6 Drawing Sheets

Related U.S. Application Data

continuation of application No. 29/566,661, filed on Jun. 1, 2016, now Pat. No. Des. 800,725, which is a continuation of application No. 29/499,087, filed on Aug. 11, 2014, now Pat. No. Des. 758,363.

(58) **Field of Classification Search**

USPC D14/363, 440-442, 444, 446, 478, 367, D14/439; D13/107; D10/30, 103, 123, D10/125, 132, 38, 39; D16/101, D16/216-217; D19/37, 39-40; D20/11, D20/22, 27
 CPC G06F 1/20; H05K 5/00; H05K 5/0213; H05K 5/03; H01L 51/56

See application file for complete search history.

(56) **References Cited**

U.S. PATENT DOCUMENTS

7,618,260 B2 * 11/2009 Daniel A44C 5/0007
 24/311

D719,153 S * 12/2014 Lim D14/365
 D727,259 S * 4/2015 Hwang D13/108
 D728,624 S * 5/2015 Akana D14/496
 D729,090 S * 5/2015 Phillips D10/103
 D730,221 S * 5/2015 Phillips D10/103
 D758,363 S * 6/2016 Akana D14/344
 D769,867 S * 10/2016 Aumiller D14/344
 D770,533 S * 11/2016 Akana D14/496
 D779,489 S * 2/2017 Akana D14/392
 D797,150 S * 9/2017 Akana D14/496
 D797,305 S * 9/2017 Peak D25/25
 D797,809 S * 9/2017 Akana D14/496
 D800,725 S 10/2017 Akana et al.
 D808,961 S * 1/2018 Lee D14/344
 D852,176 S * 6/2019 Moon D14/240
 D876,411 S * 2/2020 Lim D14/240
 D882,565 S * 4/2020 Akana D14/344
 10,624,219 B2 * 4/2020 Sisson H05K 5/0017
 D895,614 S * 9/2020 Vandenbussche D14/344
 D895,615 S * 9/2020 Vandenbussche D14/344
 D899,429 S * 10/2020 Akana D14/439
 D900,813 S 11/2020 Akana et al.

FOREIGN PATENT DOCUMENTS

EM 002632026-0002 * 6/2015
 KR 300880246.0000 * 11/2019
 KR 301031148.0000 * 11/2019

OTHER PUBLICATIONS

Mi Watch, Xiaomi, ifixit.com, author unlisted, published on Feb. 6, 2020 © 2021 iFixit, online, site visited May 17, 2021. Available at URL: <https://www.ifixit.com/Teardown/Xiaomi+Mi+Watch+Teardown/130132> (Year: 2020).*

* cited by examiner

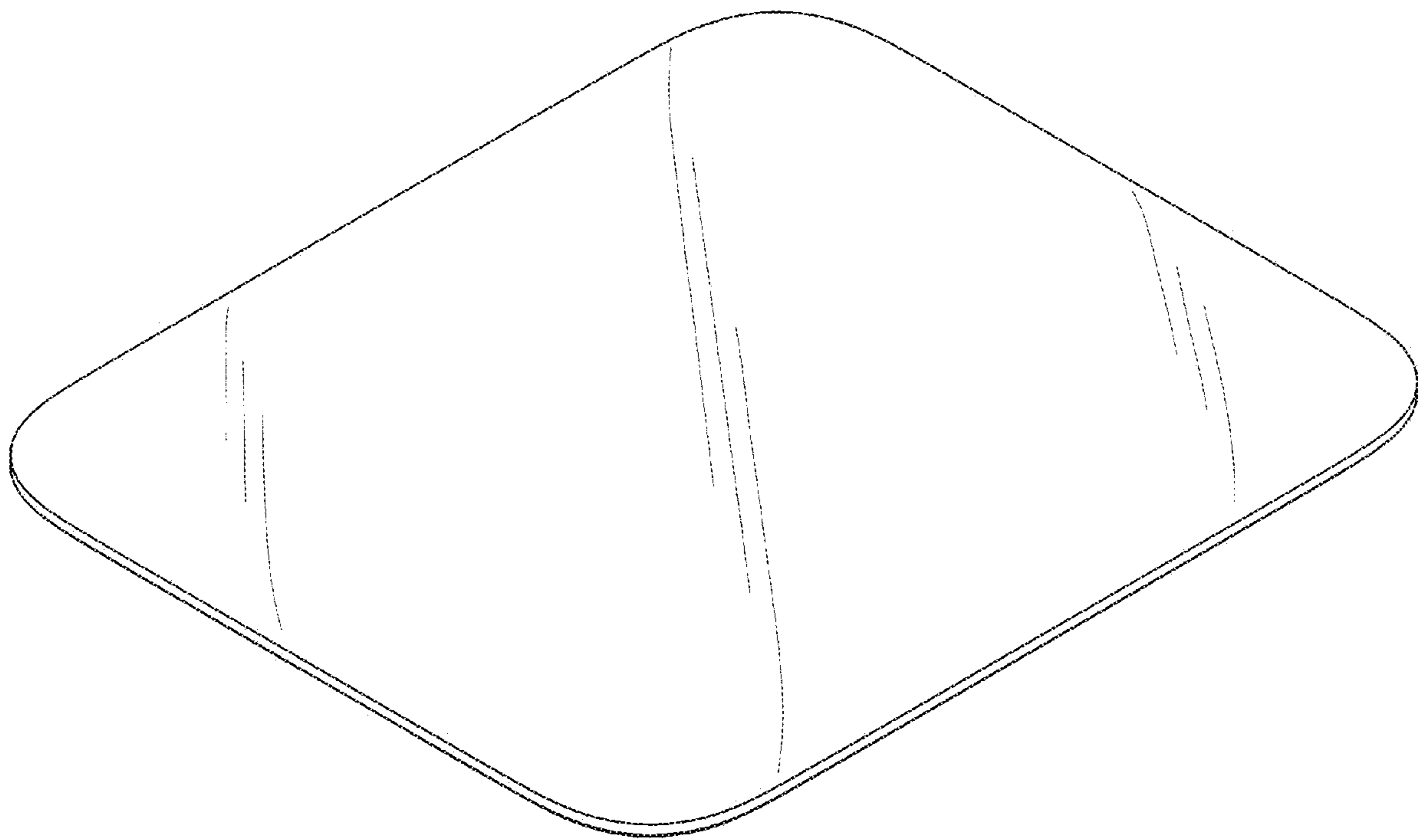


FIG. 1

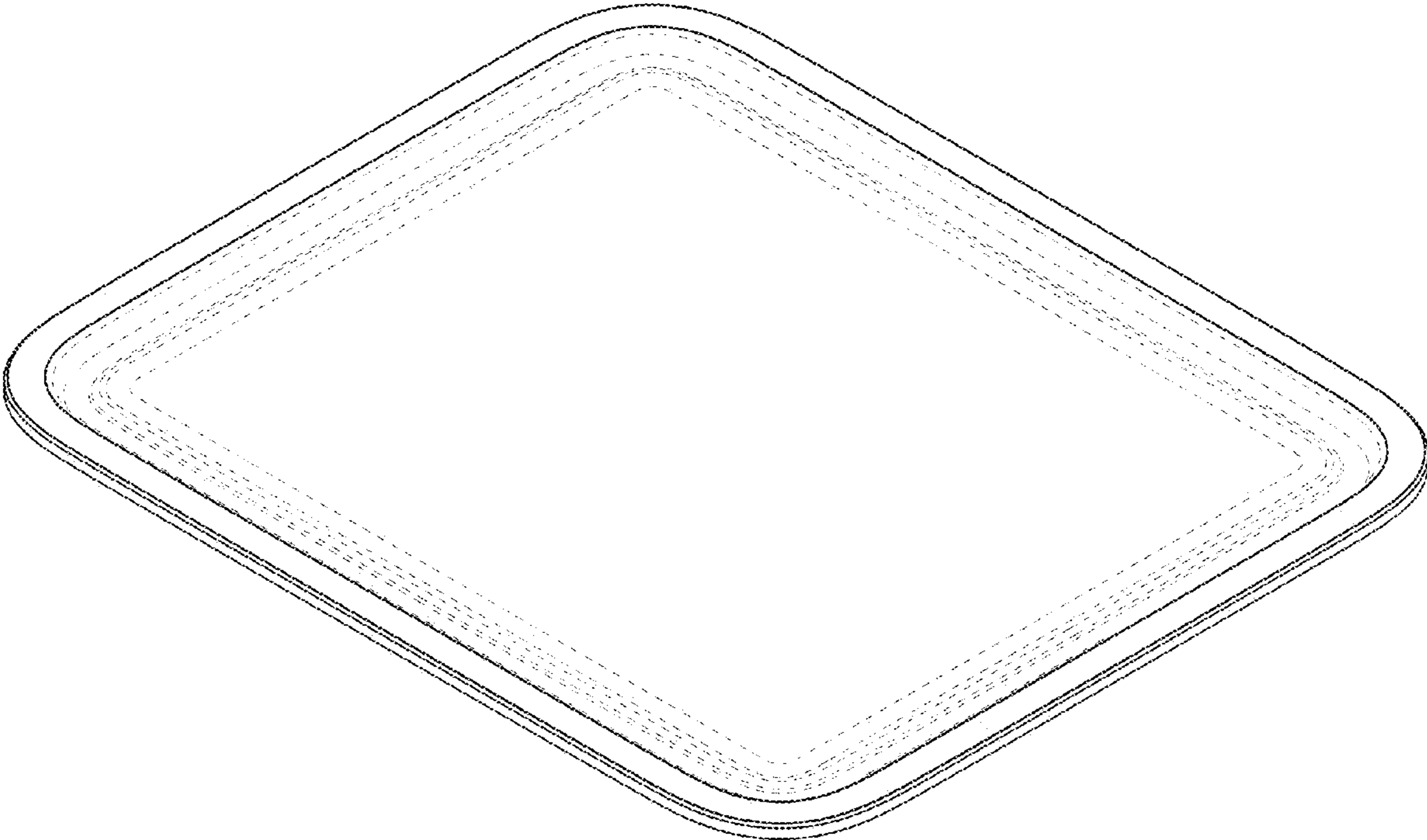


FIG. 2

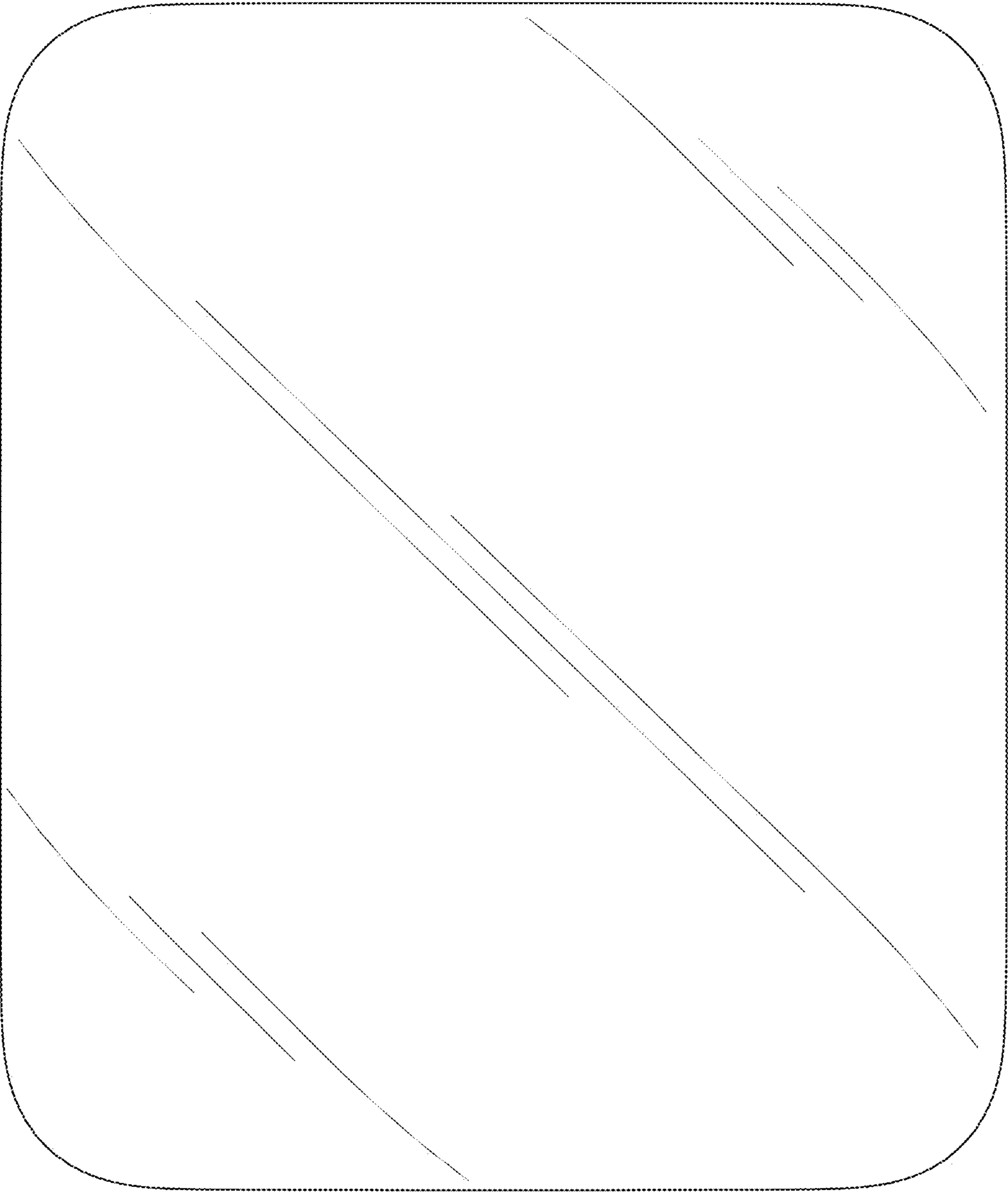


FIG. 3

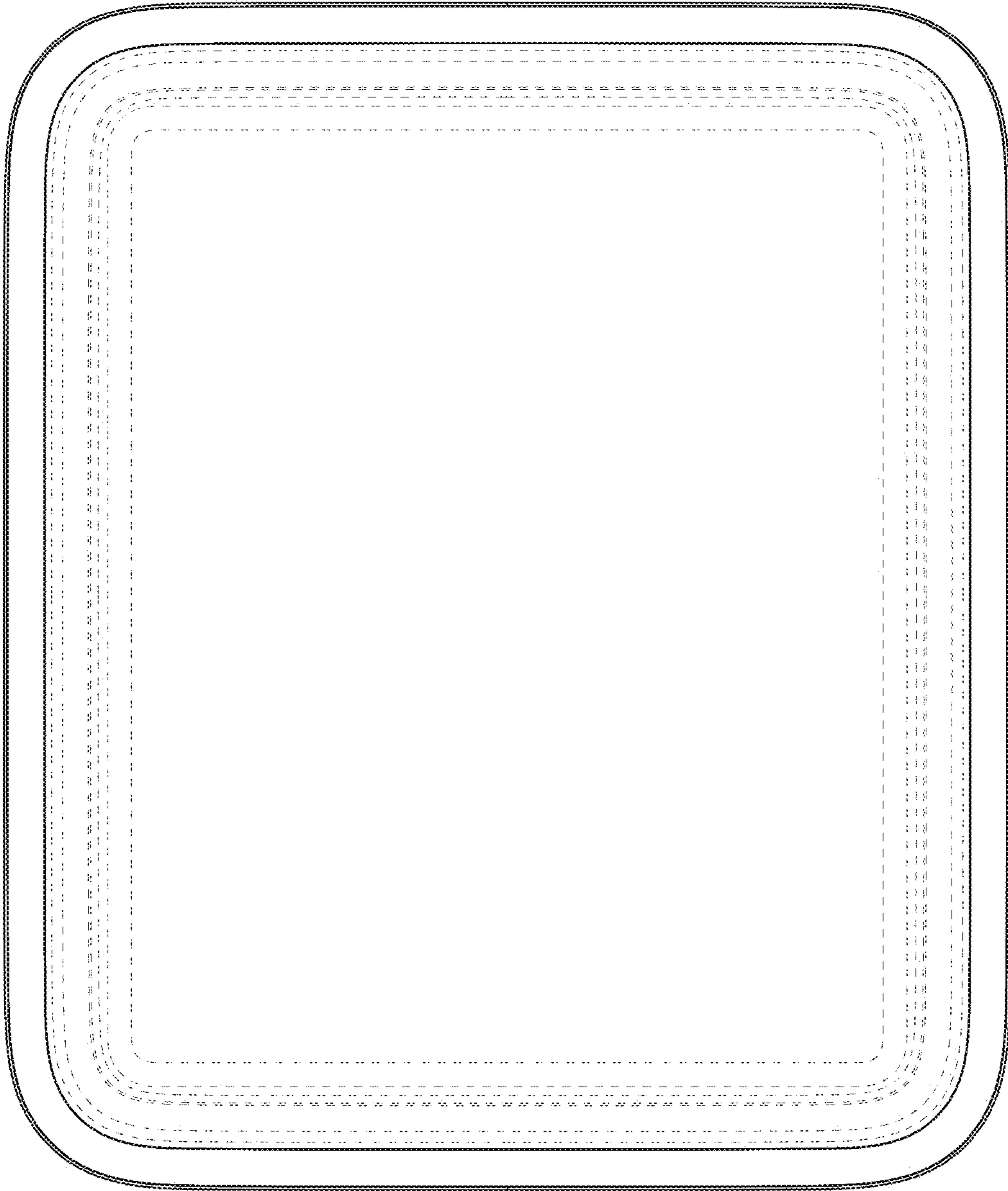


FIG. 4



FIG. 5



FIG. 6

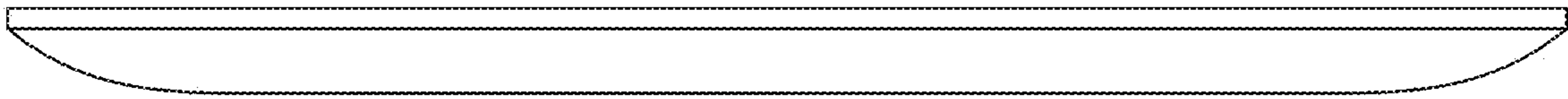


FIG. 7



FIG. 8