



US00D928161S

(12) **United States Design Patent**  
**Fan et al.**

(10) **Patent No.:** **US D928,161 S**

(45) **Date of Patent:** **\*\* Aug. 17, 2021**

(54) **GRAPHICS CARD**

(71) Applicant: **Cambricon Technologies Corporation Limited, Beijing (CN)**

(72) Inventors: **Hong Fan, Beijing (CN); Deheng Chen, Beijing (CN); Kai Ye, Beijing (CN); Shuai Chen, Beijing (CN)**

(73) Assignee: **Cambricon Technologies Corporation Limited, Beijing (CN)**

(\*\*) Term: **15 Years**

(21) Appl. No.: **29/684,409**

(22) Filed: **Mar. 20, 2019**

(30) **Foreign Application Priority Data**

Mar. 14, 2019 (CN) ..... 201930104525.3

(51) **LOC (13) Cl.** ..... **14-02**

(52) **U.S. Cl.**

USPC ..... **D14/435; D13/179**

(58) **Field of Classification Search**

USPC ..... D13/101, 118, 122, 123, 179, 182;  
D14/300, 356, 385, 432, 434, 435, 436,  
D14/437; D23/314, 330

CPC ..... H01L 23/467; H01L 23/473; G06F 1/20  
See application file for complete search history.

(56) **References Cited**

**U.S. PATENT DOCUMENTS**

- 6,671,177 B1 \* 12/2003 Han ..... H01L 23/467  
165/80.3
- D539,275 S \* 3/2007 Furuya ..... D13/182
- 7,990,712 B2 \* 8/2011 Fang ..... G06F 1/20  
165/104.33
- 9,036,348 B2 \* 5/2015 Huang ..... G06F 1/20  
361/695
- D733,145 S \* 6/2015 Chen ..... D14/435
- 9,471,115 B2 \* 10/2016 Richard ..... G06F 1/186

- D793,400 S \* 8/2017 Lin ..... D13/179
- 10,015,909 B1 \* 7/2018 Han ..... H05K 7/2039
- D829,183 S \* 9/2018 Li ..... D13/179
- D854,545 S \* 7/2019 Woo ..... D14/435
- 2009/0059525 A1 \* 3/2009 Peng ..... H01L 23/467  
361/697

(Continued)

**OTHER PUBLICATIONS**

“GeForce Graphics Card”. Found online Mar. 23, 2020 at news.softpedia.com. Reference dated Jan. 12, 2015. Retrieved from <https://news.softpedia.com/news/CES-2015-EVGA-GeForce-GTX-980-HydroCopper-Water-Cooled-Graphics-Card-469664.shtml>. (Year: 2015).\*

(Continued)

*Primary Examiner* — Kendra Leslie Hamilton

*Assistant Examiner* — Amanda Christensen

(74) *Attorney, Agent, or Firm* — Getech Law LLC; Jun Ye

(57) **CLAIM**

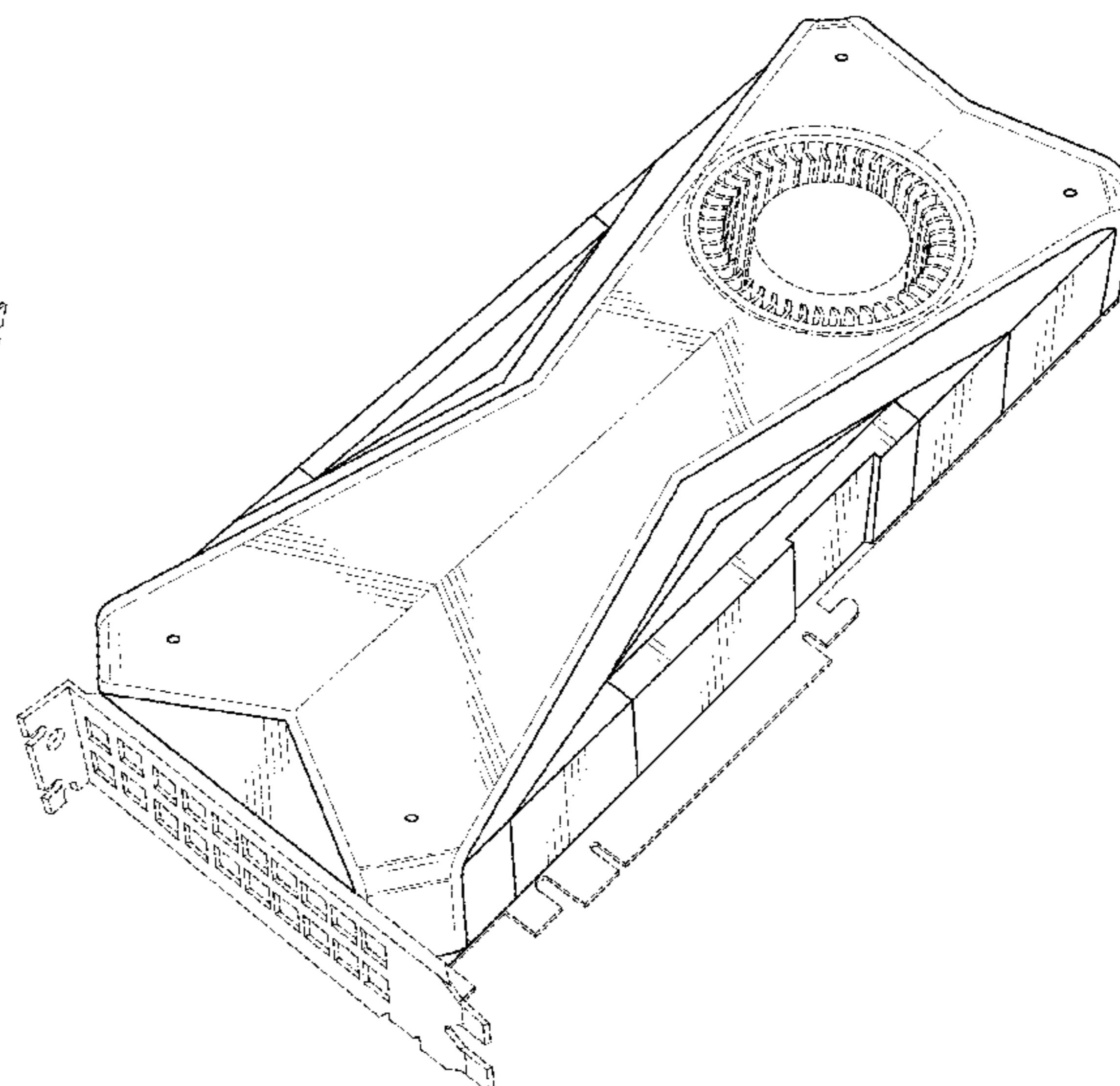
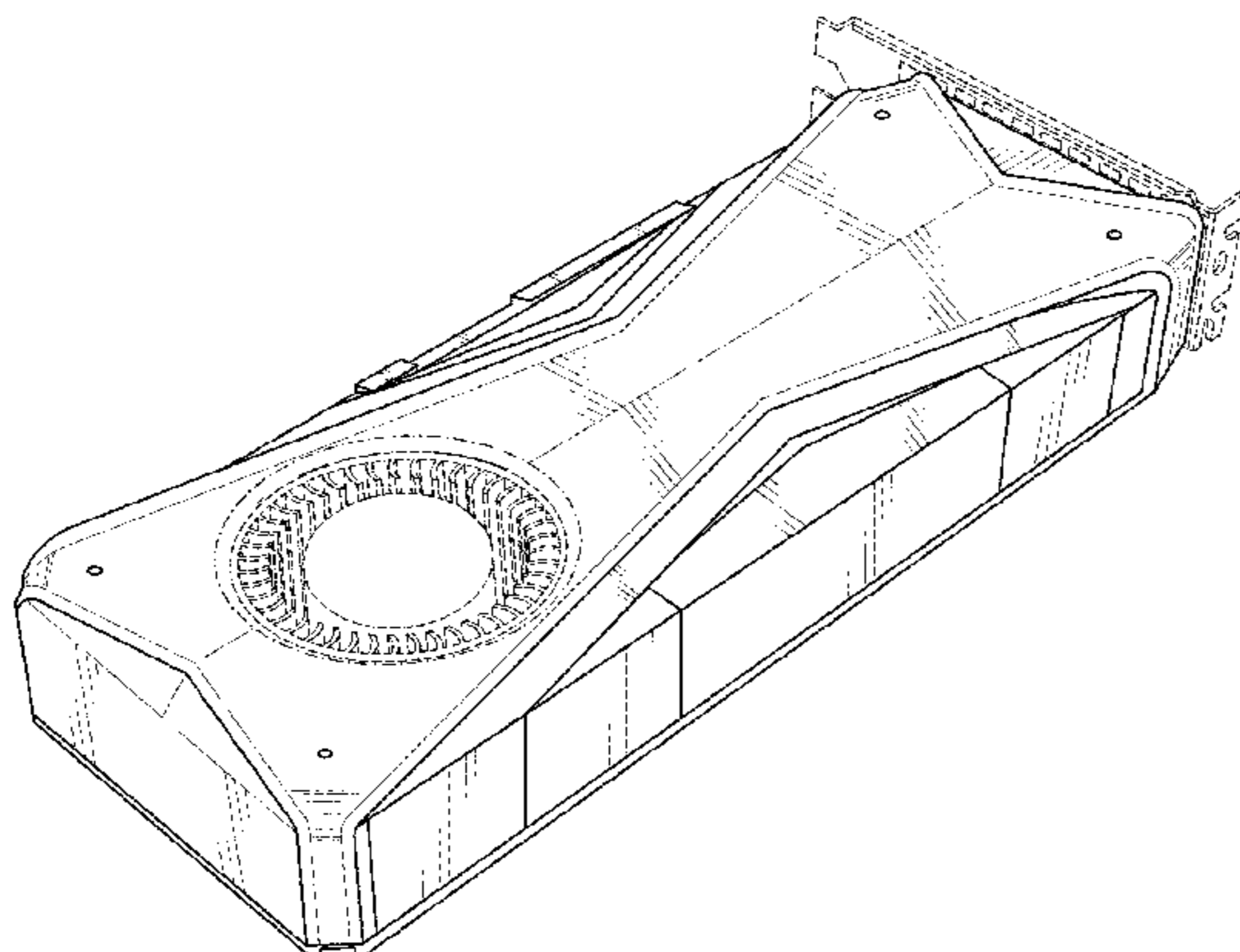
The ornamental design for a graphics card, as shown and described.

**DESCRIPTION**

FIG. 1 is a front, right, top perspective view of a graphics card, showing our new design;  
FIG. 2 is a front, left, bottom perspective view thereof;  
FIG. 3 is a front elevation view thereof;  
FIG. 4 is a rear elevation view thereof;  
FIG. 5 is a left side elevation view thereof;  
FIG. 6 is a right side elevation view thereof;  
FIG. 7 is a top plan view thereof; and,  
FIG. 8 is a bottom plan view thereof.

The equal-length broken lines in the drawings depict portions of the graphics card that form no part of the claimed design. The dash-dot-dash lines define the boundaries of the claim.

**1 Claim, 8 Drawing Sheets**



(56)

**References Cited**

U.S. PATENT DOCUMENTS

2015/0346783 A1\* 12/2015 Kinstle, III ..... H05K 7/20509  
361/679.48  
2018/0196483 A1\* 7/2018 Han ..... H01L 23/427

OTHER PUBLICATIONS

“AnandTech Cambricon GC”. Found online Mar. 23, 2020 at anandtech.com. Reference dated May 26, 2018. Retrieved from <https://www.anandtech.com/show/12815/cambricon-makers-of-huaweis-kirin-npu-ip-build-a-big-ai-chip-and-pcie-card>. (Year: 2018).\*

“NVIDIA NVS 810 Dual-GPU”. Found online Jun. 18, 2020 at legitreviews.com. Reference dated Nov. 4, 2015. Retrieved from [https://www.legitreviews.com/nvidia-nvs-810-dual-gpu-graphics-card-announced-with-8-mini-displayport-connectors\\_174951](https://www.legitreviews.com/nvidia-nvs-810-dual-gpu-graphics-card-announced-with-8-mini-displayport-connectors_174951). (Year: 2015).\*

\* cited by examiner

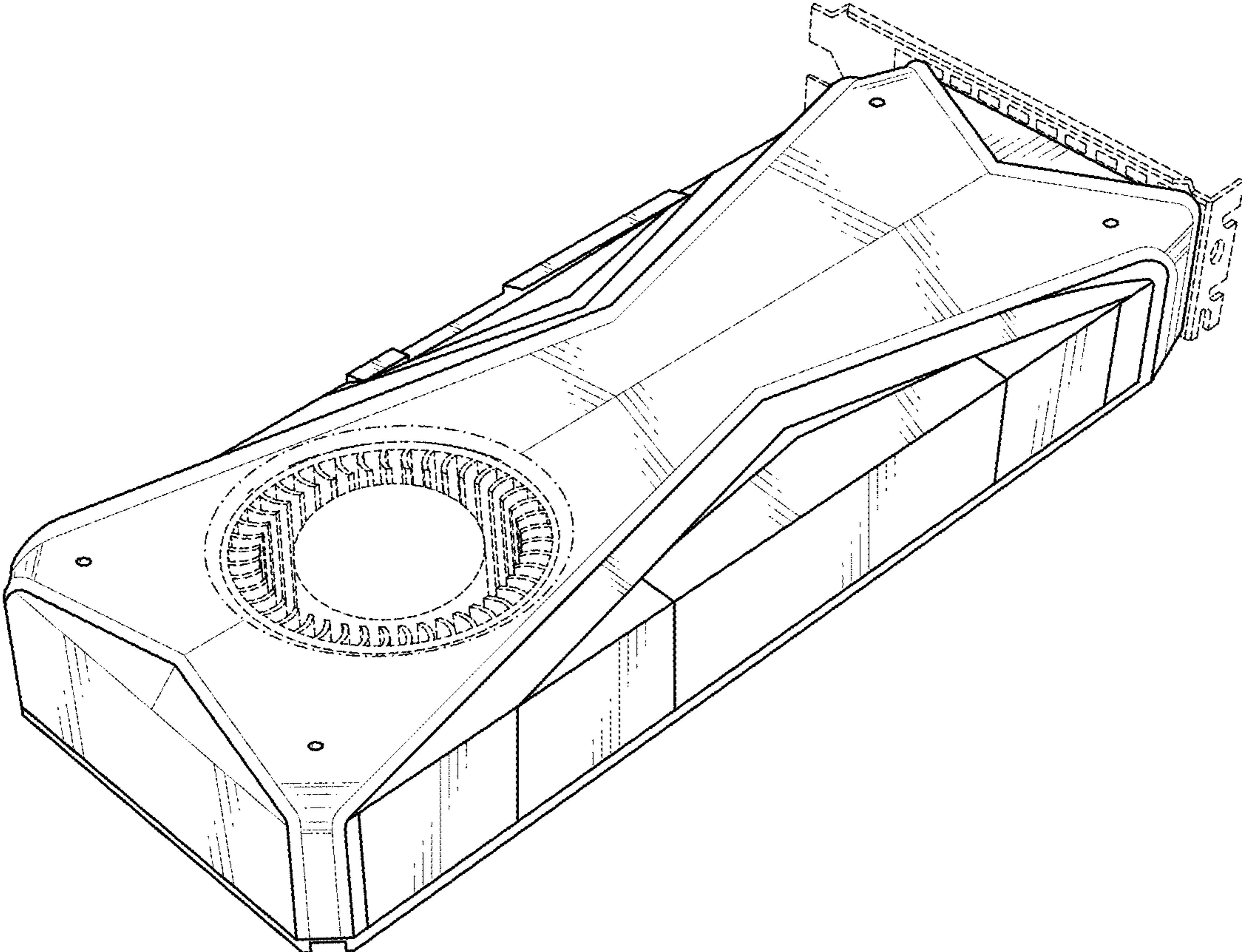


FIG. 1

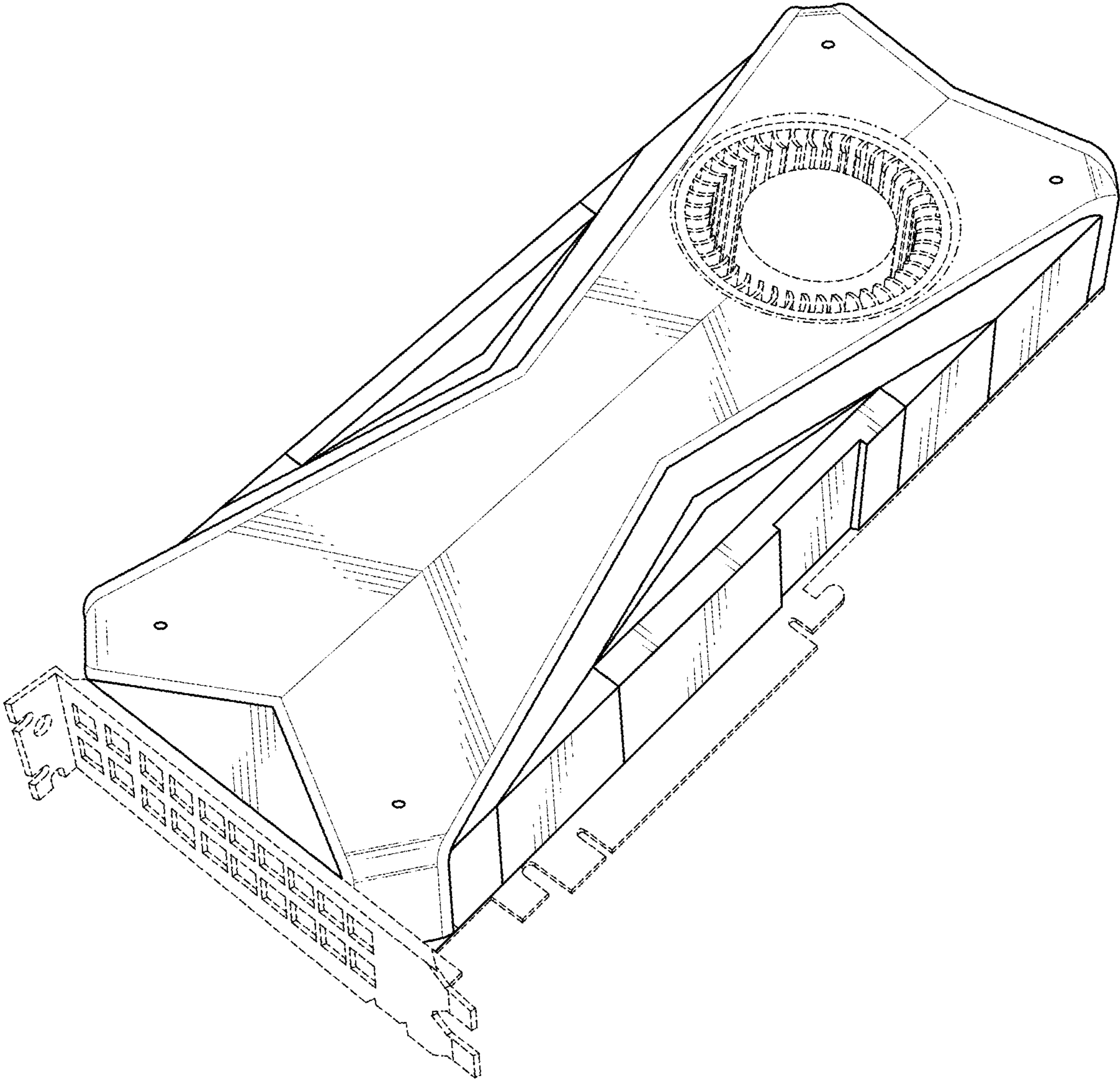


FIG. 2

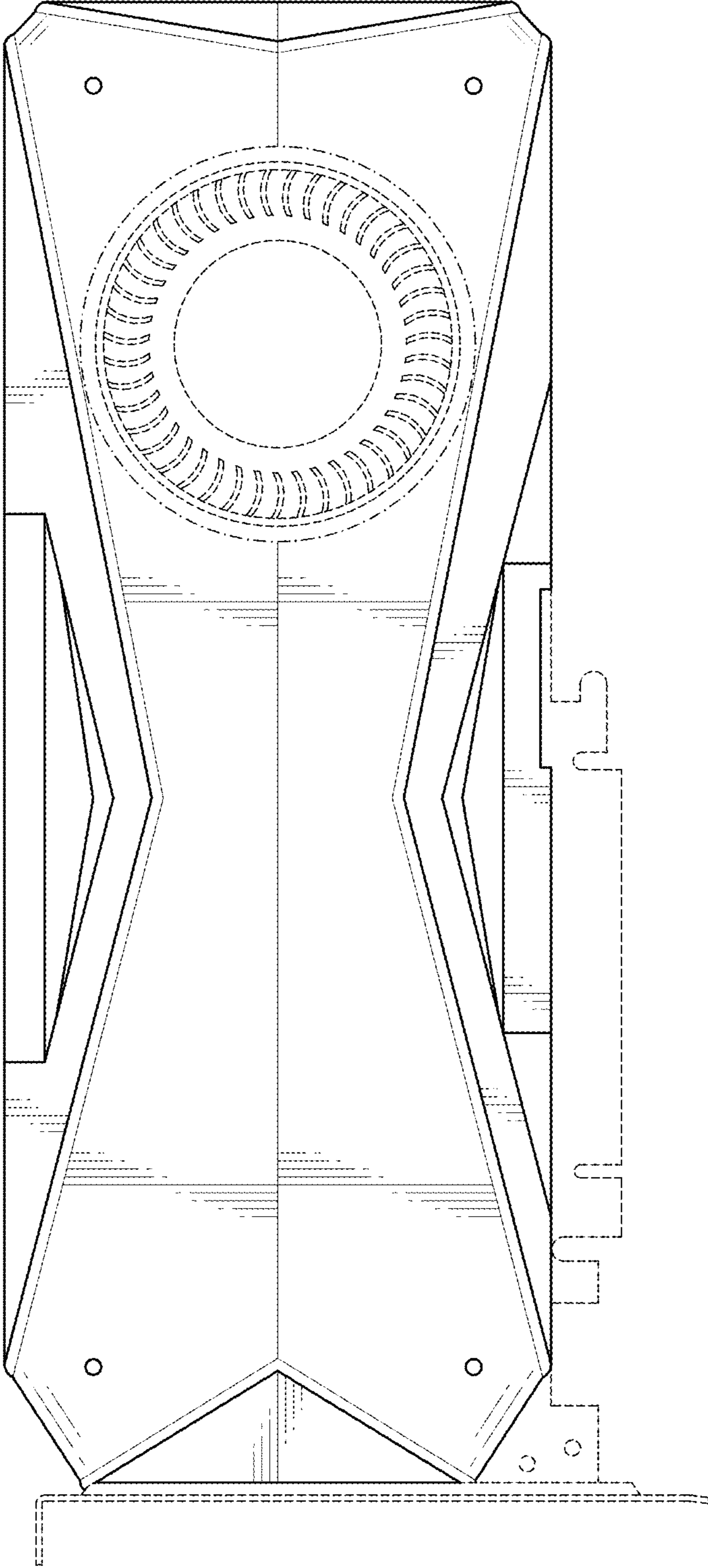


FIG. 3

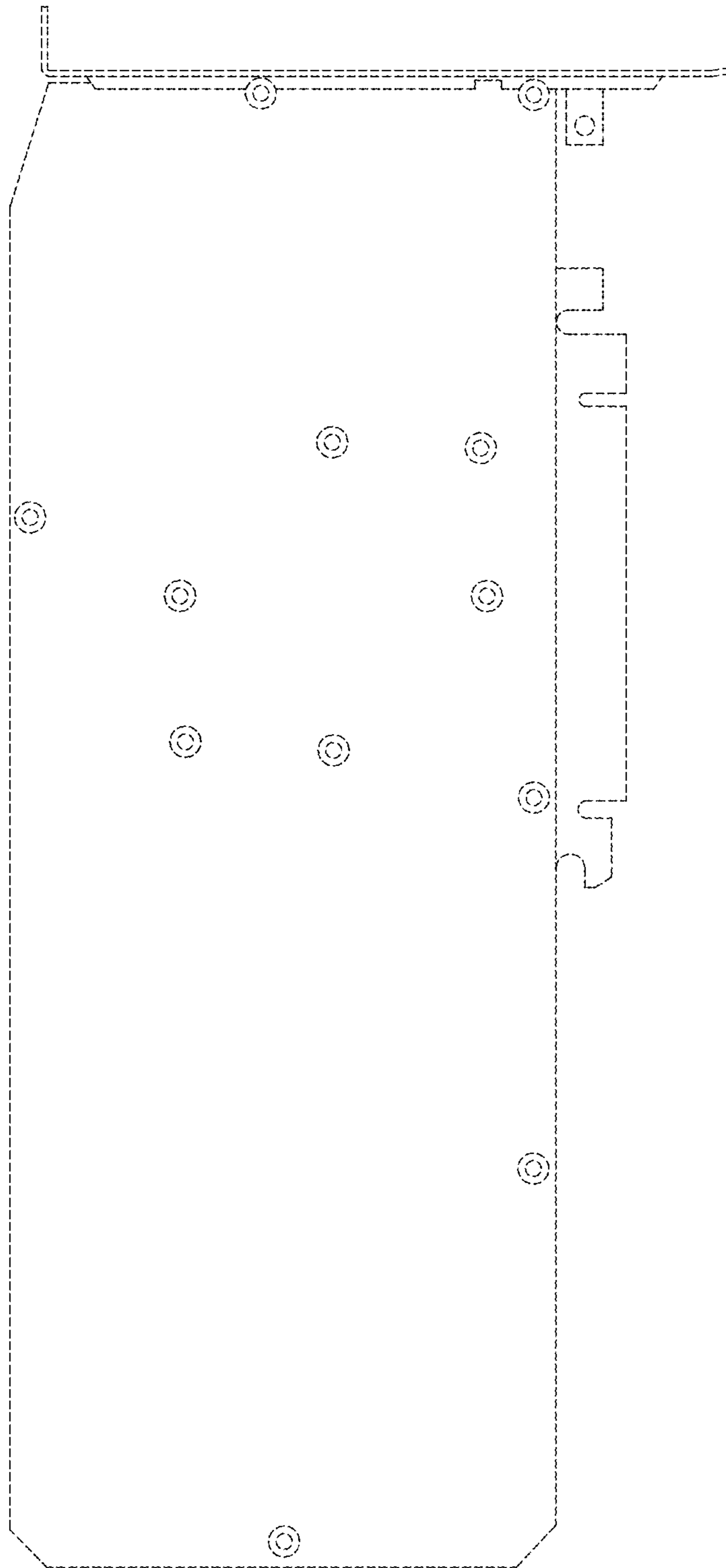


FIG. 4

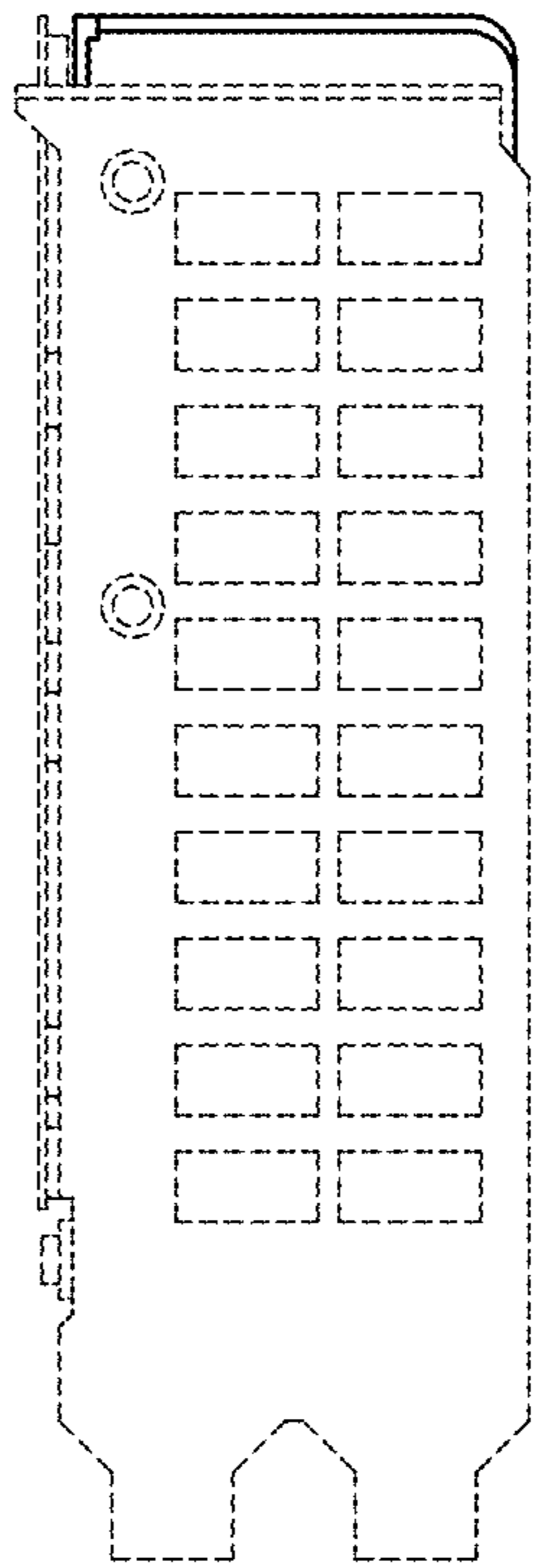


FIG. 5

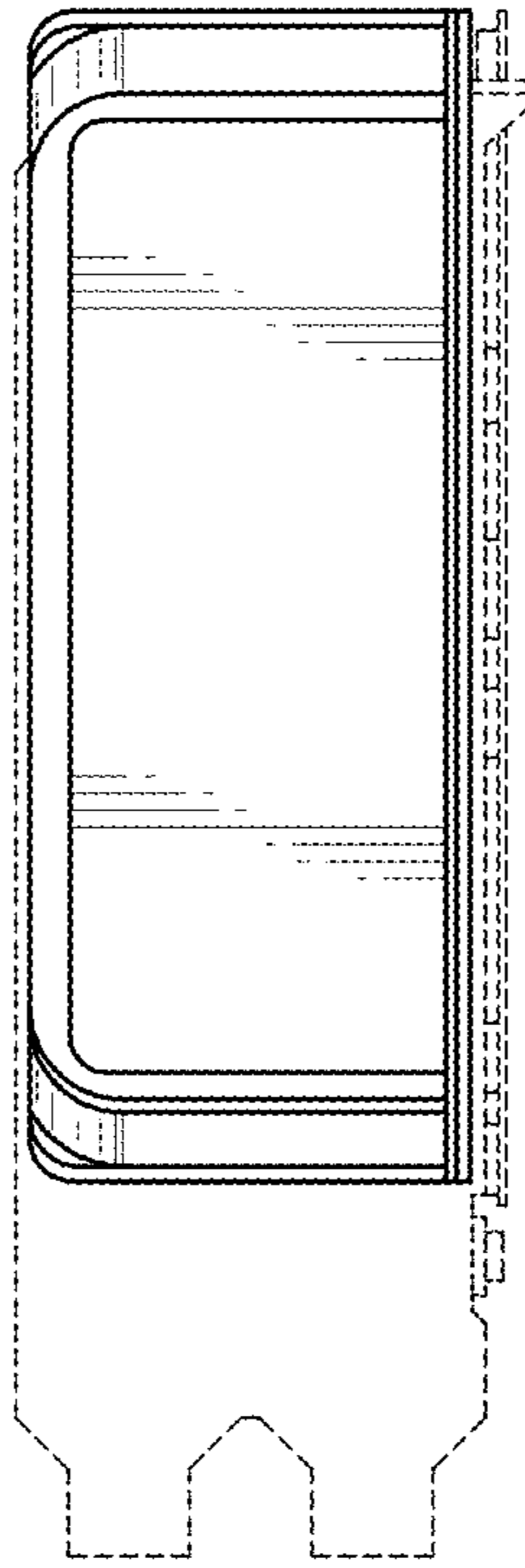


FIG. 6



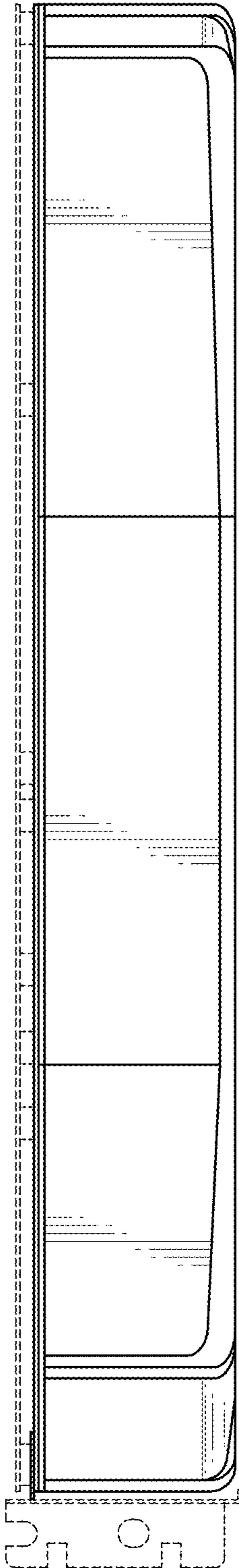


FIG. 7

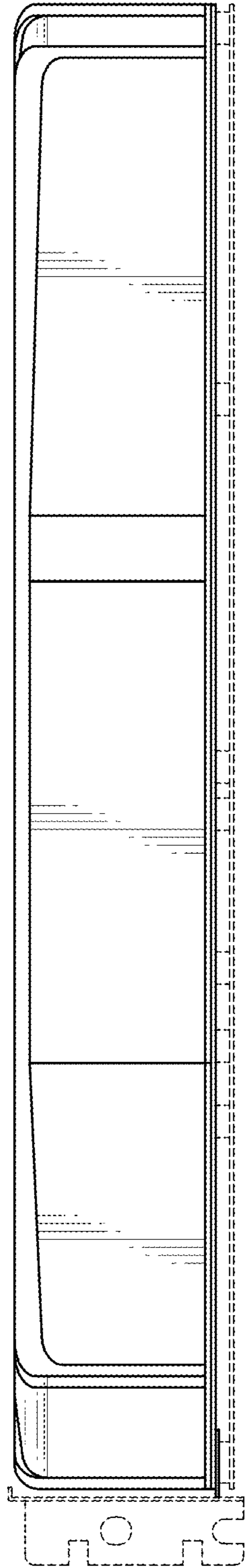


FIG. 8