



US00D928159S

(12) **United States Design Patent** (10) **Patent No.:** **US D928,159 S**  
**Fan** (45) **Date of Patent:** **\*\* Aug. 17, 2021**

(54) **ADAPTER**

(71) Applicant: **Jianyun Fan**, Guangdong (CN)

(72) Inventor: **Jianyun Fan**, Guangdong (CN)

(73) Assignee: **Dongguan Huachuang Technology Co. Ltd.**, Dongguan (CN)

(\*\*) Term: **15 Years**

(21) Appl. No.: **29/703,345**

(22) Filed: **Aug. 27, 2019**

(51) **LOC (13) Cl.** ..... **14-02**

(52) **U.S. Cl.**  
USPC ..... **D14/433**

(58) **Field of Classification Search**  
USPC ..... D13/103, 106, 107, 108, 109, 110, 112,  
D13/116, 118, 119, 123, 133, 146, 147,  
D13/184; D14/432, 433, 434, 435, 435.1,  
D14/438  
CPC ..... H01R 24/76; H01R 29/00; H01R 31/06  
See application file for complete search history.

(56) **References Cited**

**U.S. PATENT DOCUMENTS**

9,904,323	B2 *	2/2018	DeCamp	.....	H04B 1/3827
D830,366	S *	10/2018	Turksu	.....	D14/433
D854,544	S *	7/2019	Liao	.....	D14/434
D864,964	S *	10/2019	Lyu	.....	D14/433
D864,966	S *	10/2019	Sang	.....	D14/434
D866,557	S *	11/2019	Xiong	.....	D14/433
D880,482	S *	4/2020	Wang	.....	D14/433
D882,578	S *	4/2020	Zhang	.....	D14/433
D886,105	S *	6/2020	Duan	.....	D14/433
D890,181	S *	7/2020	Liu	.....	D14/433

D890,759	S *	7/2020	Fan	.....	D14/433
2006/0085584	A1 *	4/2006	Chen	.....	H01R 31/005 710/303
2016/0085272	A1 *	3/2016	Chien	.....	G06F 1/1632 361/679.4

**OTHER PUBLICATIONS**

“USB C Hub”. Found online Oct. 14, 2020 at amazon.com. Reference dated Jul. 24, 2018. Retrieved from <https://www.amazon.ca/MixMart-Type-C-Adapter-MacBook-Delivery/dp/B07FTCQZ62>. (Year: 2018).\*

“HyperDrive Duo USB C Hub”. Found online Oct. 14, 2020 at hypershop.com. Reference dated Jul. 22, 2018. Retrieved from <https://www.hypershop.com/products/hyperdrive-duo-hub-for-usb-c-macbook-pro-13-and-15-2016-2017-2018?variant=41421336460>. (Year: 2018).\*

“USB C Hub HDMI Adapter”. Found online Oct. 14, 2020 at amazon.com. Reference dated Dec. 19, 2017. Retrieved from <https://www.amazon.com/MOKiN-MicroSD-3-Ports-Pass-Through-Adapter/dp/B078HZGWYX>. (Year: 2017).\*

\* cited by examiner

*Primary Examiner* — Kendra Leslie Hamilton

*Assistant Examiner* — Amanda Christensen

(57) **CLAIM**

The ornamental design for an adapter, as shown and described.

**DESCRIPTION**

FIG. 1 is a top, front, left side perspective view of an adapter showing my new design;

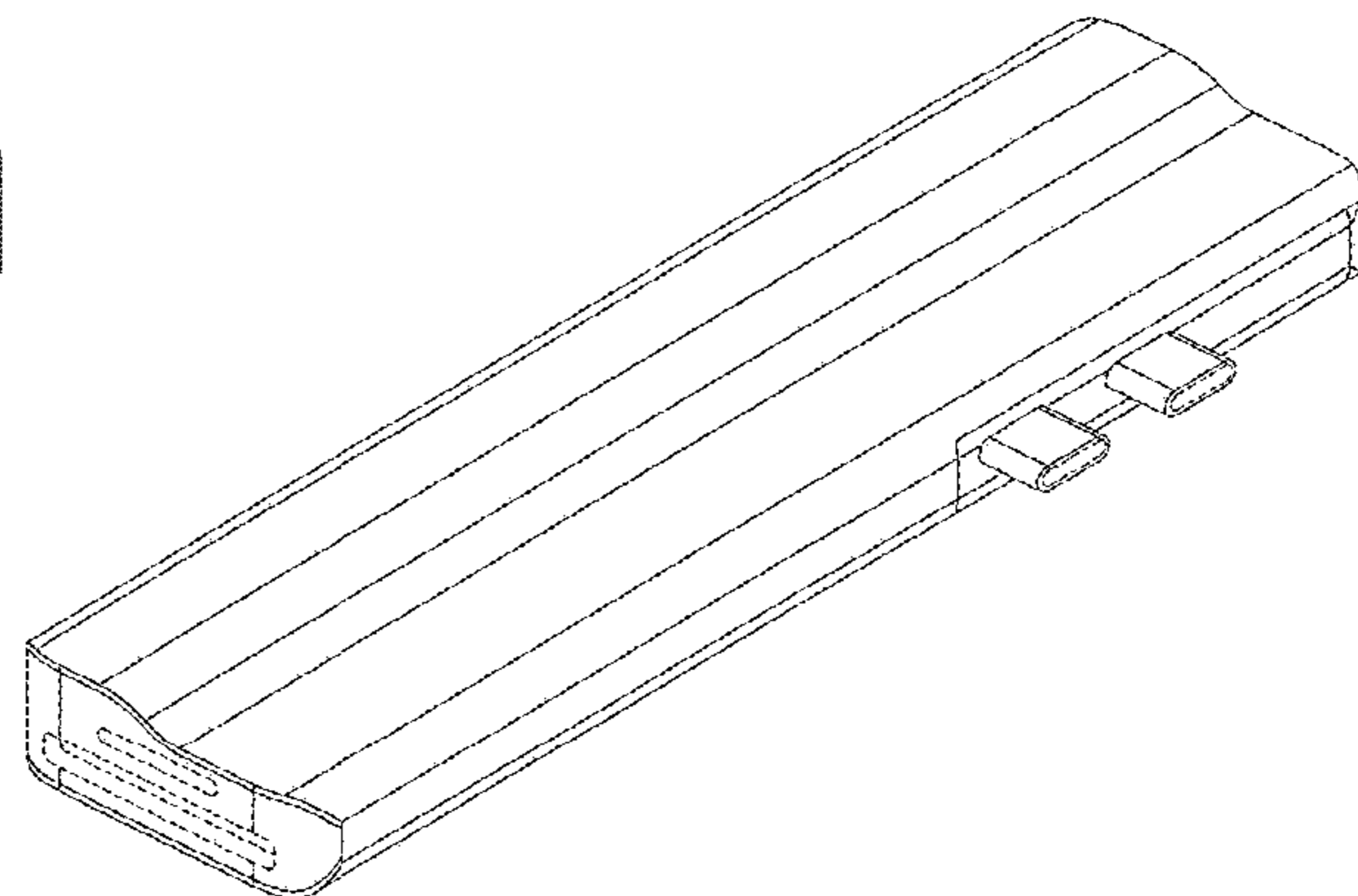
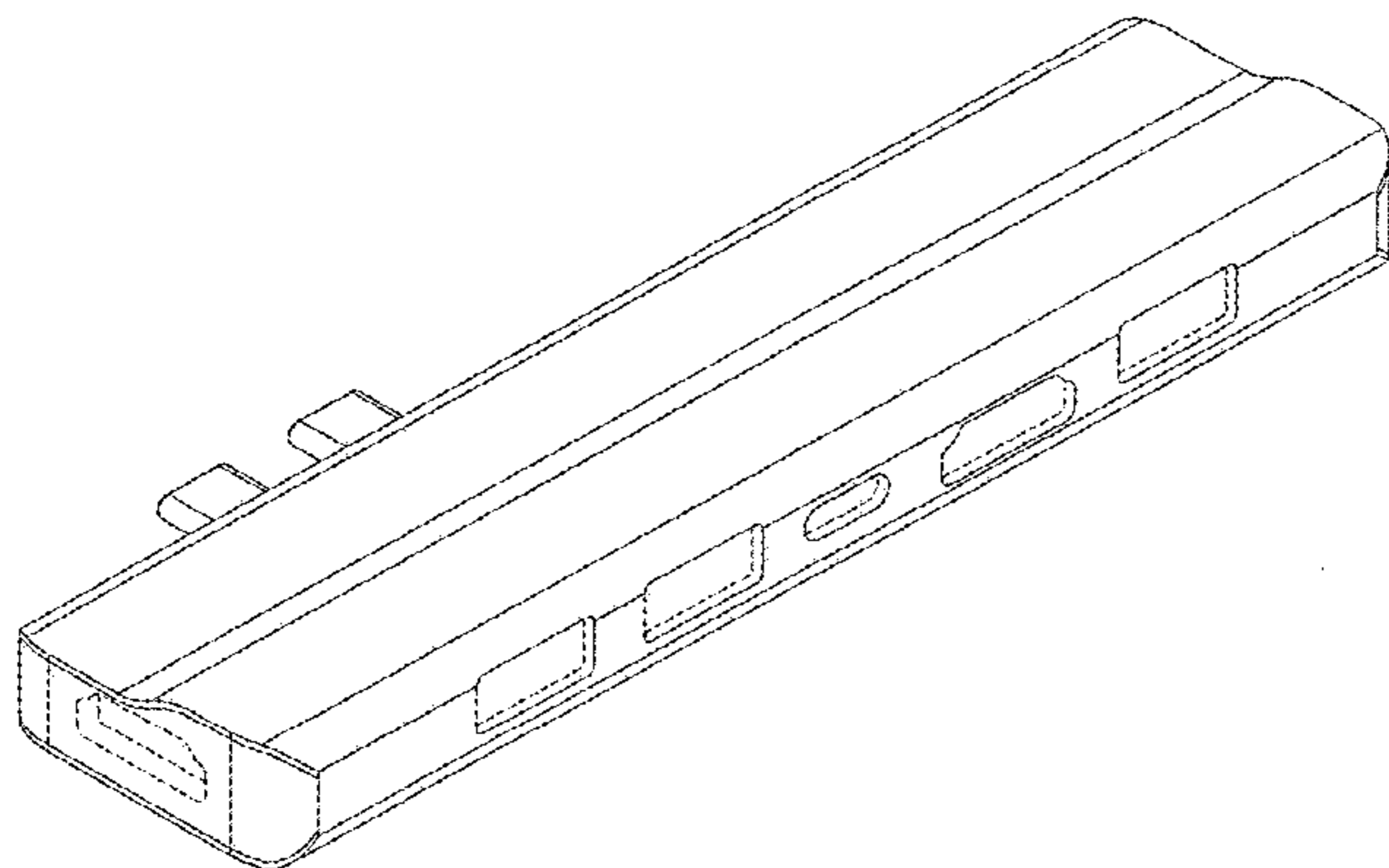
FIG. 2 is a bottom, front, right side perspective view thereof;

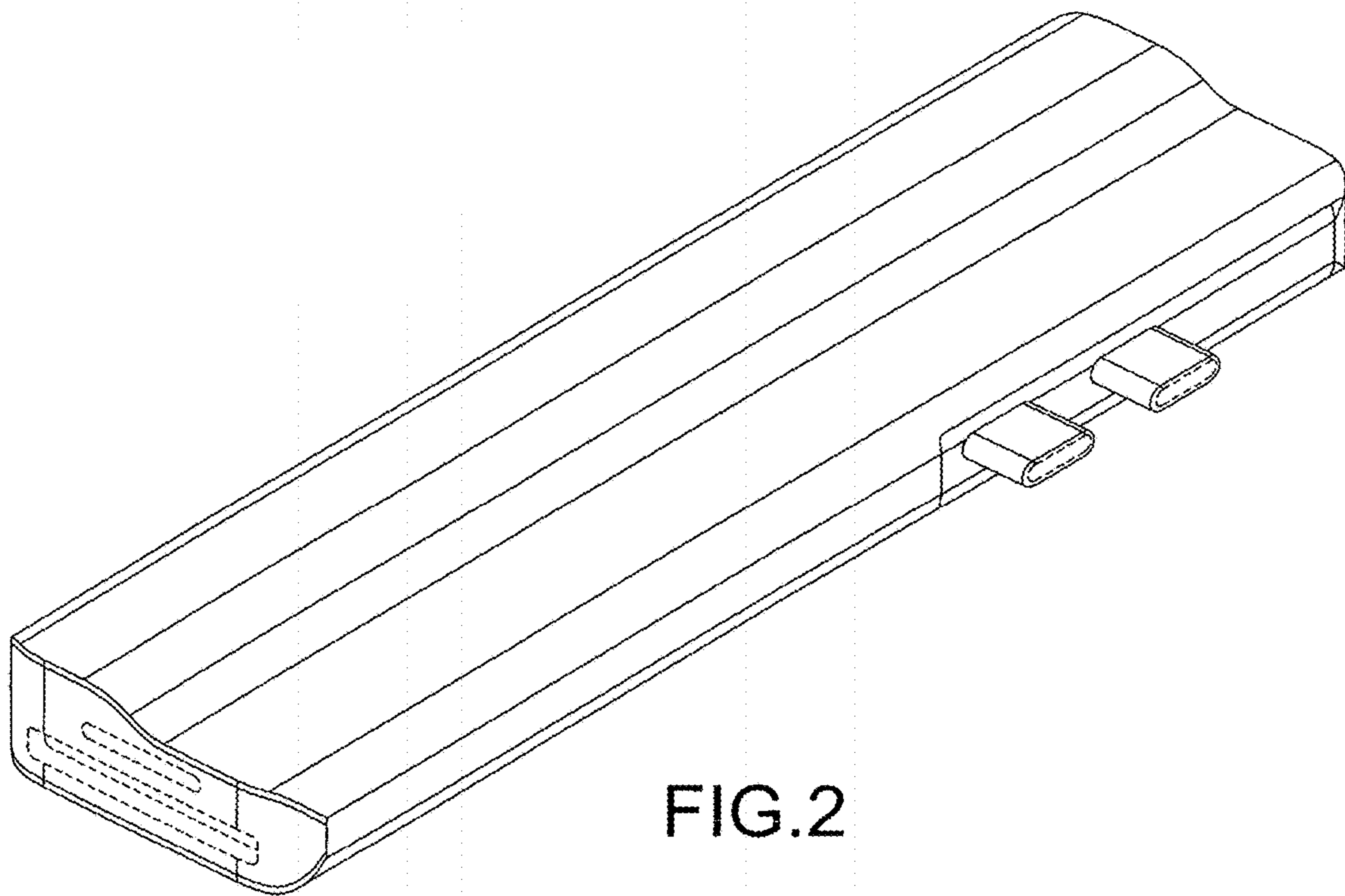
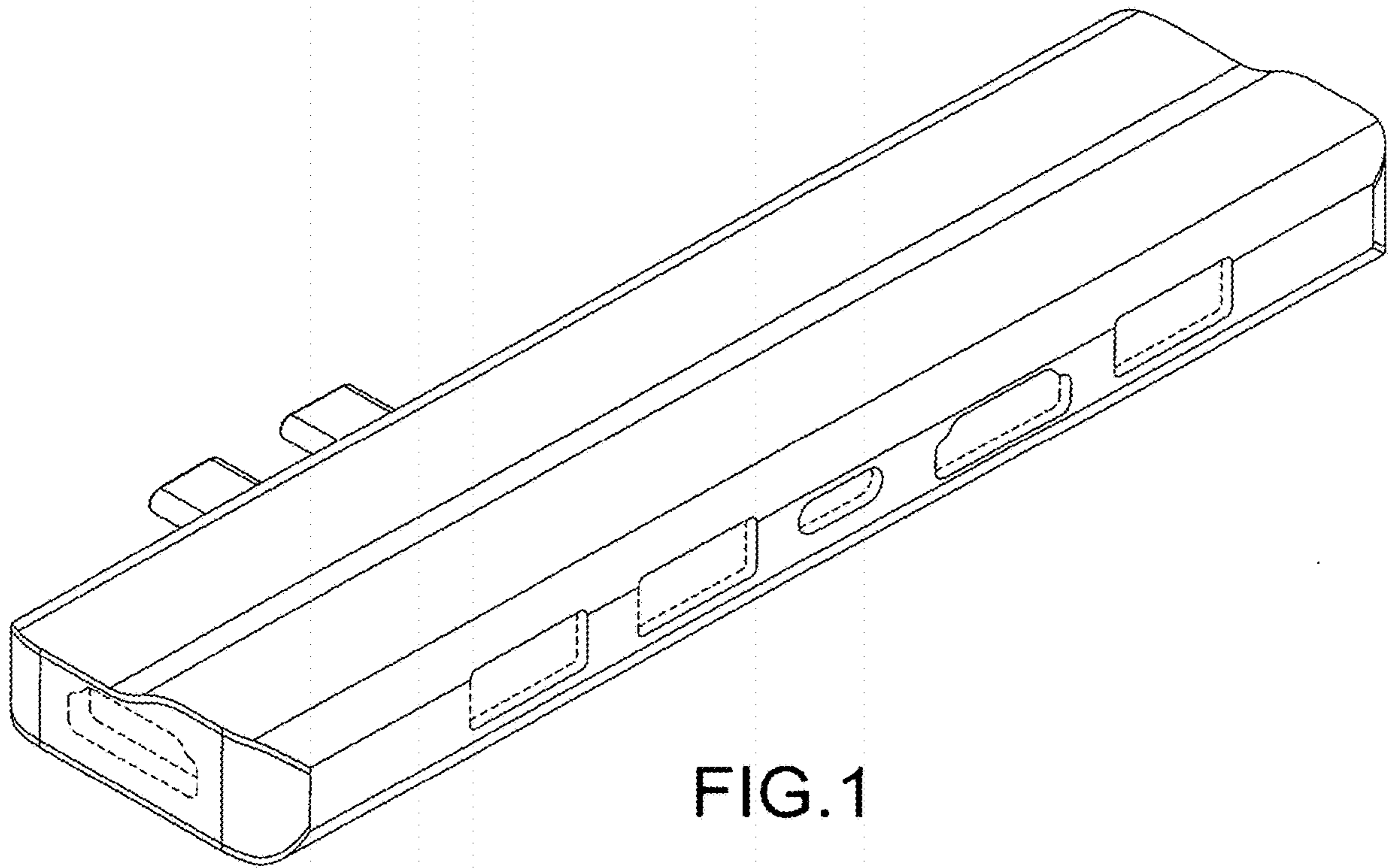
FIG. 3 is a front elevation view thereof; and,

FIG. 4 is a rear elevation view thereof.

The equal-length broken lines depict portions of the adapter that form no part of the claimed design.

**1 Claim, 2 Drawing Sheets**





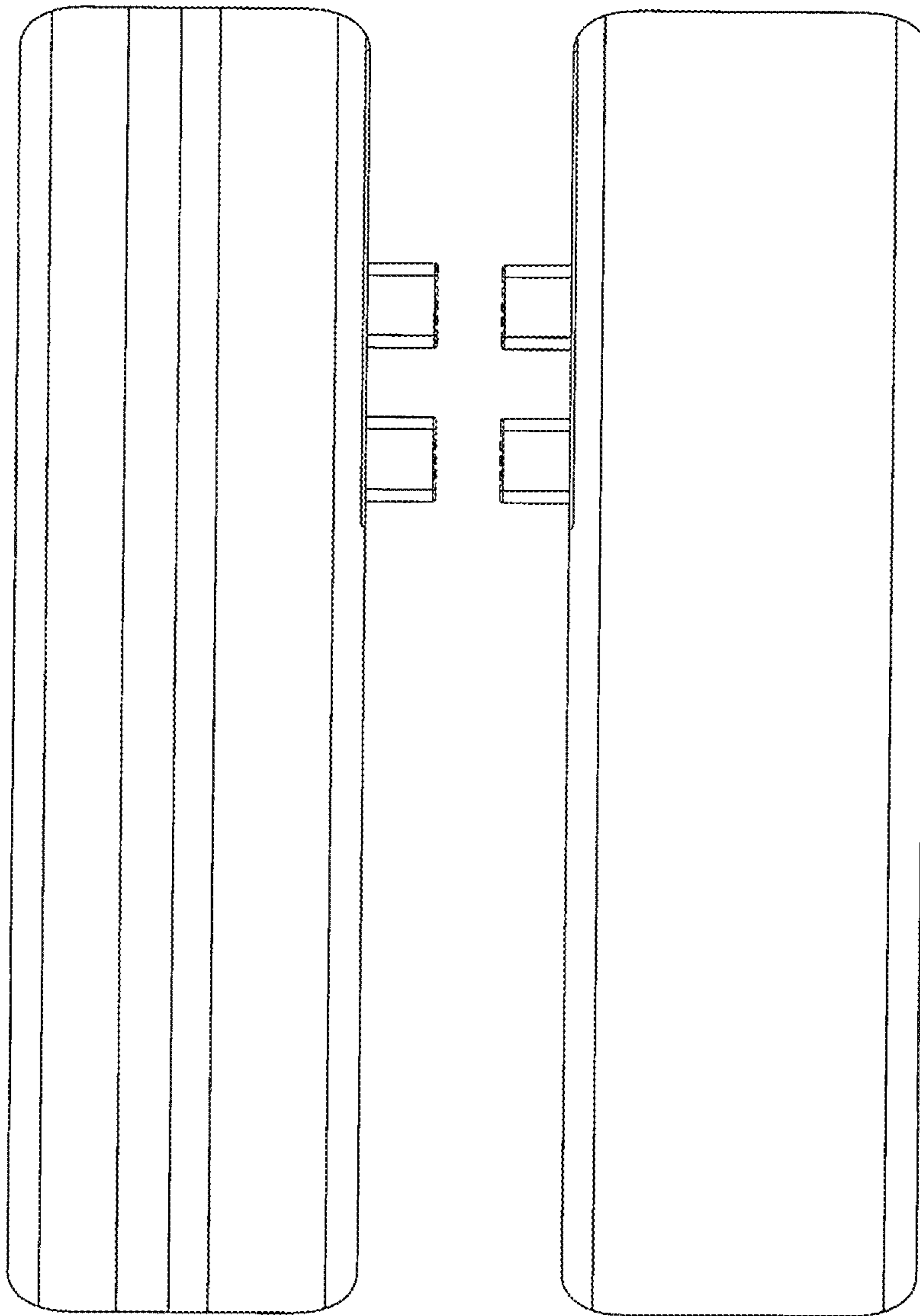


FIG.3

FIG.4