



US00D928158S

(12) **United States Design Patent** (10) **Patent No.:** **US D928,158 S**
Liao (45) **Date of Patent:** **** Aug. 17, 2021**

(54) **MULTI-FUNCTION CONVERTER**
(71) Applicant: **Guangdong Gopod Group Holding Co., Ltd., Shenzhen (CN)**
(72) Inventor: **Zhuowen Liao, Shenzhen (CN)**
(73) Assignee: **Guangdong Gopod Group Holding Co., Ltd., Shenzhen (CN)**

(**) Term: **15 Years**
(21) Appl. No.: **29/676,917**
(22) Filed: **Jan. 16, 2019**

(30) **Foreign Application Priority Data**
Dec. 28, 2018 (CN) 201830764989.2
(51) **LOC (13) Cl.** **14-99**
(52) **U.S. Cl.**
USPC **D14/433**
(58) **Field of Classification Search**
USPC D14/433, 434, 357, 204, 205, 240, 348, D14/356, 358, 363, 435, 480.1, 242, 378, D14/383-386, 435.1, 480.3-480.7; D13/108, 103, 110, 147, 107, 184, 146; D15/5, 9; D18/12, 12.1, 12.3
CPC H01R 25/003; H01R 25/006; H01R 27/02; H01R 31/005; H01R 13/60; H01R 13/6658; H01R 13/72; G06F 1/1607; G06F 1/1632; G06F 1/1684; G06F 1/266; G06F 11/325; G06F 13/00; G06F 13/12; G06F 13/14; G06F 13/20; G06F 13/382; G06F 13/4022; G06F 9/4413; H01F 30/10; H01F 38/20; H01F 38/28; H01F 38/08; H01F 38/42; H01F 21/00; H01F 27/427; H01F 19/06; H01F 29/00; B60L 53/18; B60L 53/00; B60L 53/11; B60L 53/30; B60L 53/31; B60L 53/38; B60L 53/66; B60L 53/60; B60L 53/62; B60L 53/67; B60L 53/50; B60L 53/57; B60L

58/15; B60L 58/14; B60L 2270/32; B60L 2270/30; B60L 2240/72; H04B 1/3883; B60M 7/003; G07F 15/005; G07F 15/003; G07F 15/006
See application file for complete search history.

(56) **References Cited**
U.S. PATENT DOCUMENTS

D828,839 S *	9/2018	Zhang	D14/433
D862,474 S *	10/2019	Liu	D14/433
D864,967 S *	10/2019	Liu	D14/434
D881,888 S *	4/2020	Liao	D14/433
D885,391 S *	5/2020	Chin	D14/433
D886,055 S *	6/2020	Liao	D13/108
D891,433 S *	7/2020	Chin	D14/433
D893,487 S *	8/2020	Liao	D14/433
D893,488 S *	8/2020	Liu	D14/433

(Continued)

Primary Examiner — Nathaniel D. Buckner
(74) *Attorney, Agent, or Firm* — Wolf, Greenfield & Sacks, P.C.

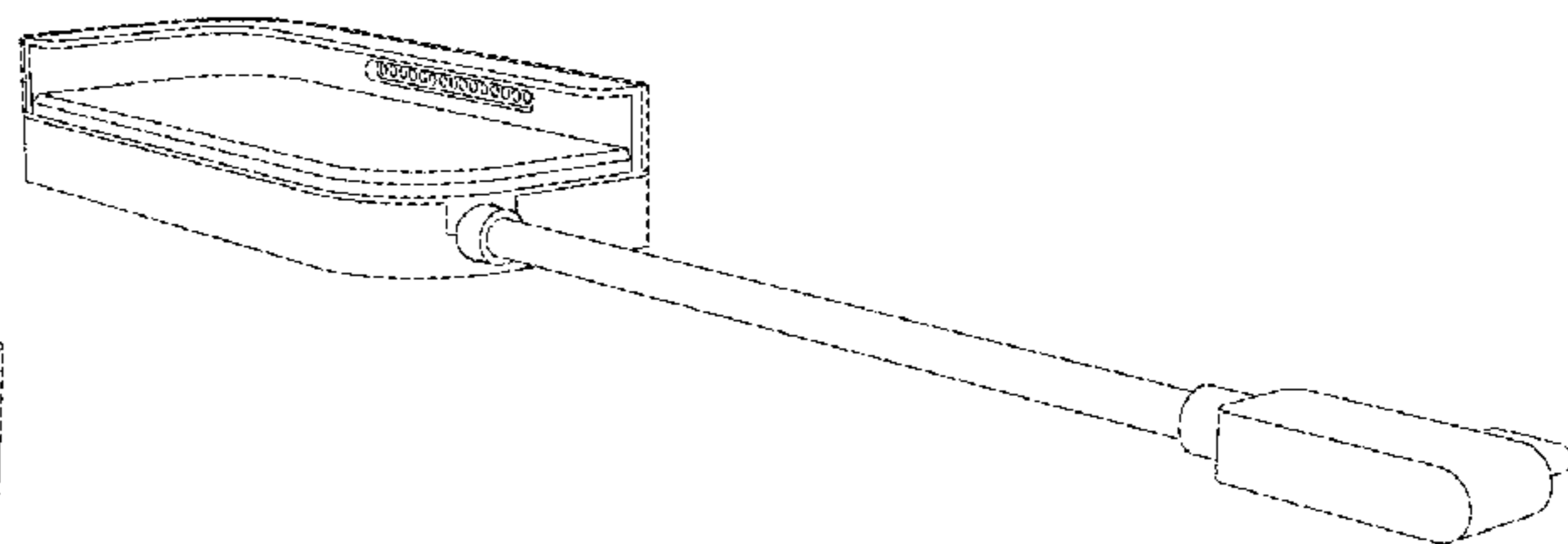
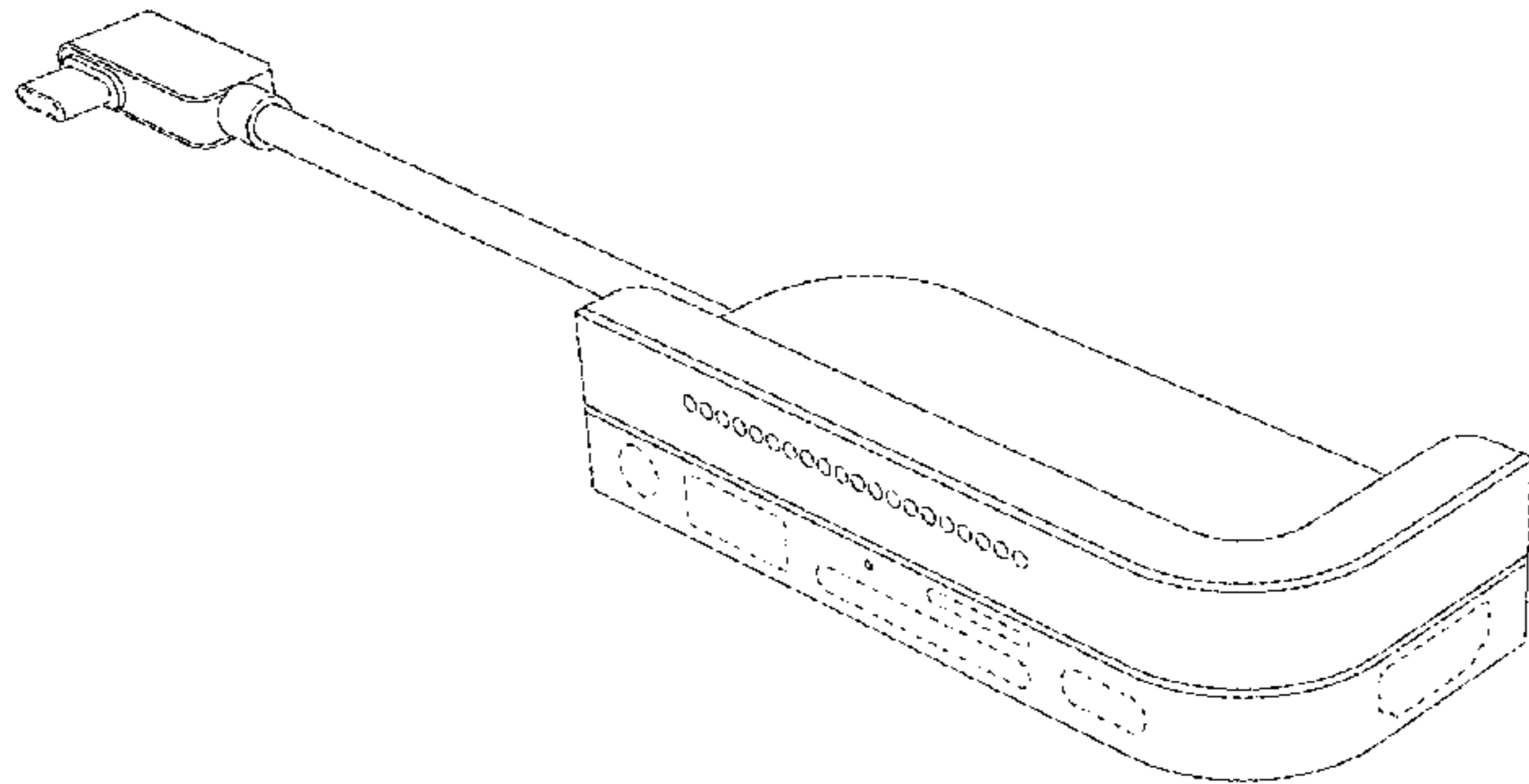
(57) **CLAIM**

The ornamental design for a multi-function converter, as shown and described.

DESCRIPTION

FIG. 1 is a top view of a multi-function converter showing my new design;
FIG. 2 is a left side view thereof;
FIG. 3 is a right side view thereof;
FIG. 4 is a bottom view thereof;
FIG. 5 is a front view thereof;
FIG. 6 is a rear view thereof;
FIG. 7 is a top, rear, left side perspective view thereof; and,
FIG. 8 is a top, front, right side perspective view thereof.
The broken lines shown in the drawings illustrate portions of the multi-function converter that form no part of the claimed design.

1 Claim, 8 Drawing Sheets



(56)

References Cited

U.S. PATENT DOCUMENTS

D899,427 S	*	10/2020	Liao	D14/433
D900,740 S	*	11/2020	Liao	D13/108
D909,386 S	*	2/2021	Turksu	D14/433
D912,056 S	*	3/2021	Liao	D14/433

* cited by examiner

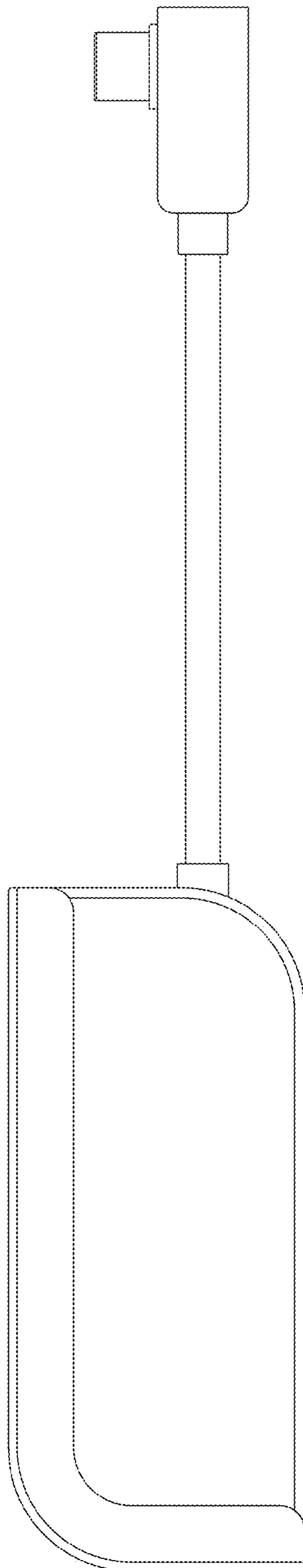


FIG. 1

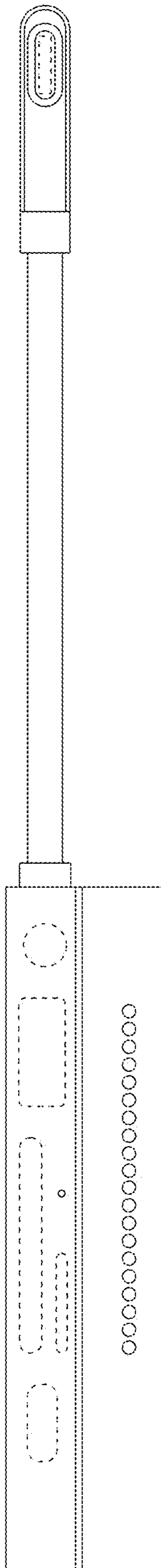


FIG. 2

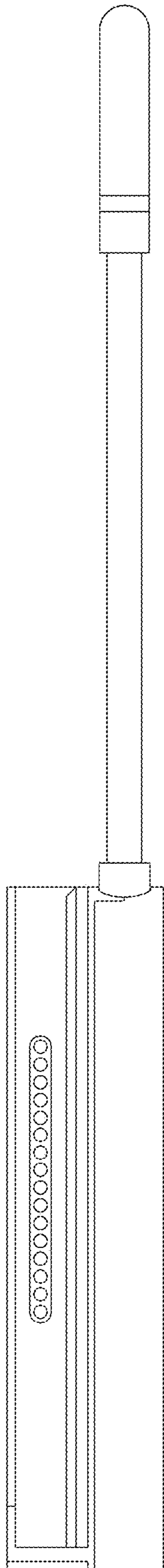


FIG. 3

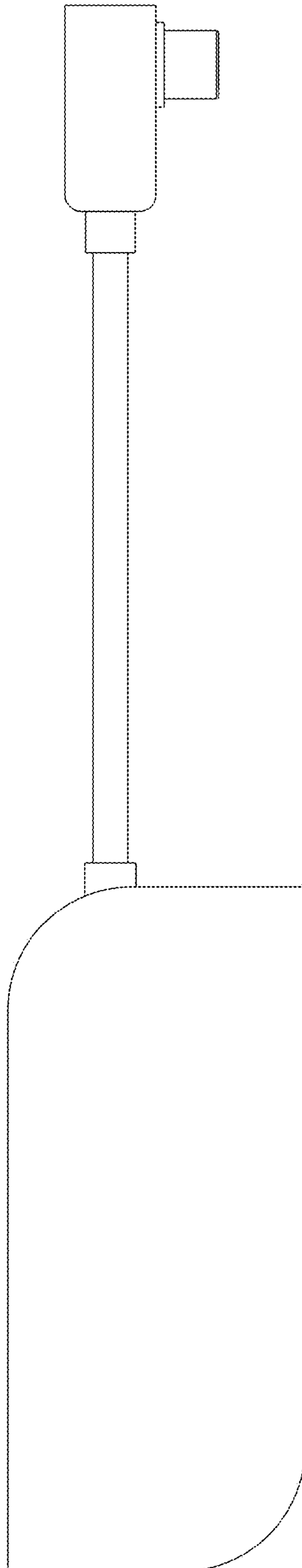


FIG. 4

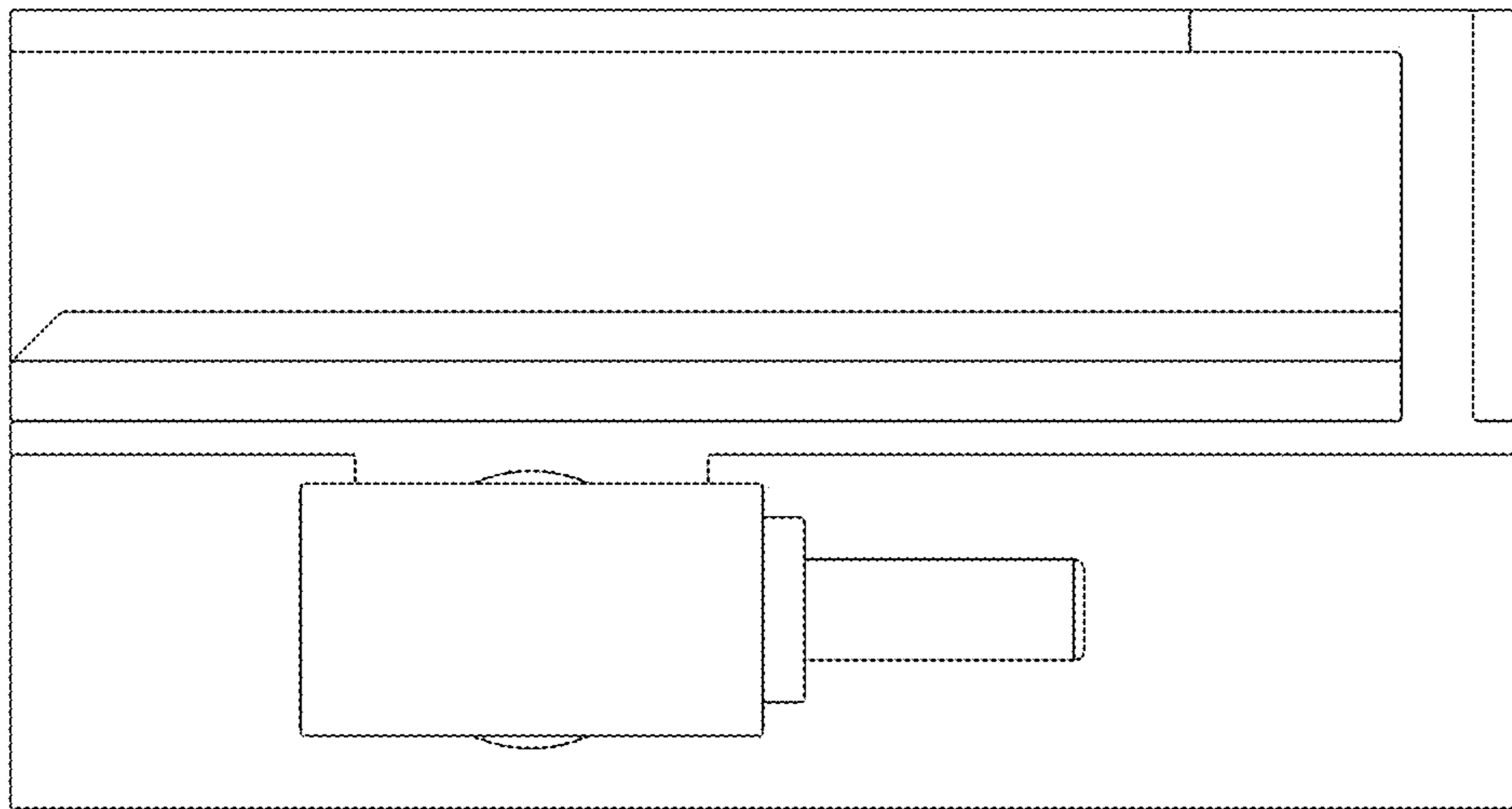


FIG. 5

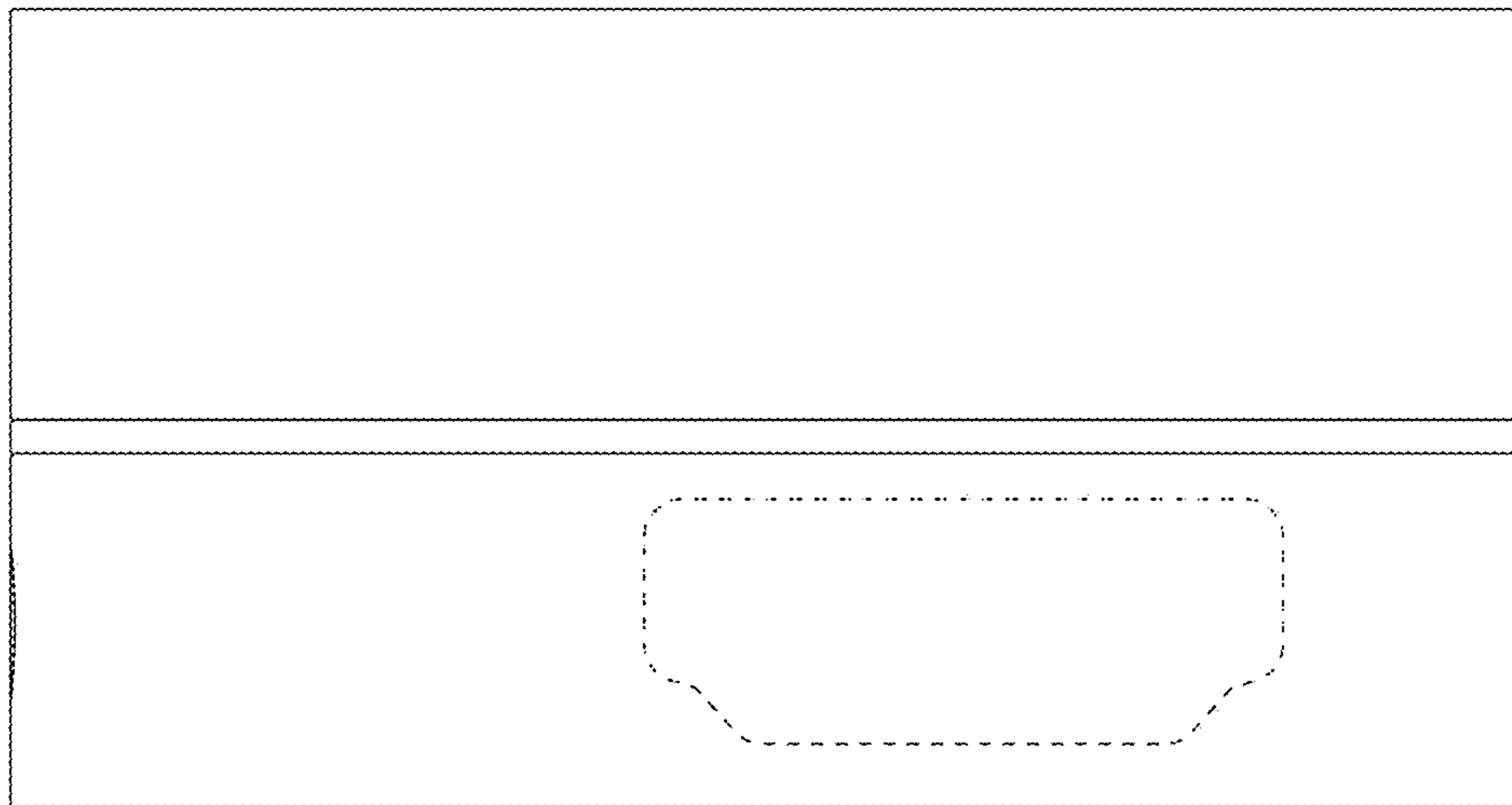


FIG. 6

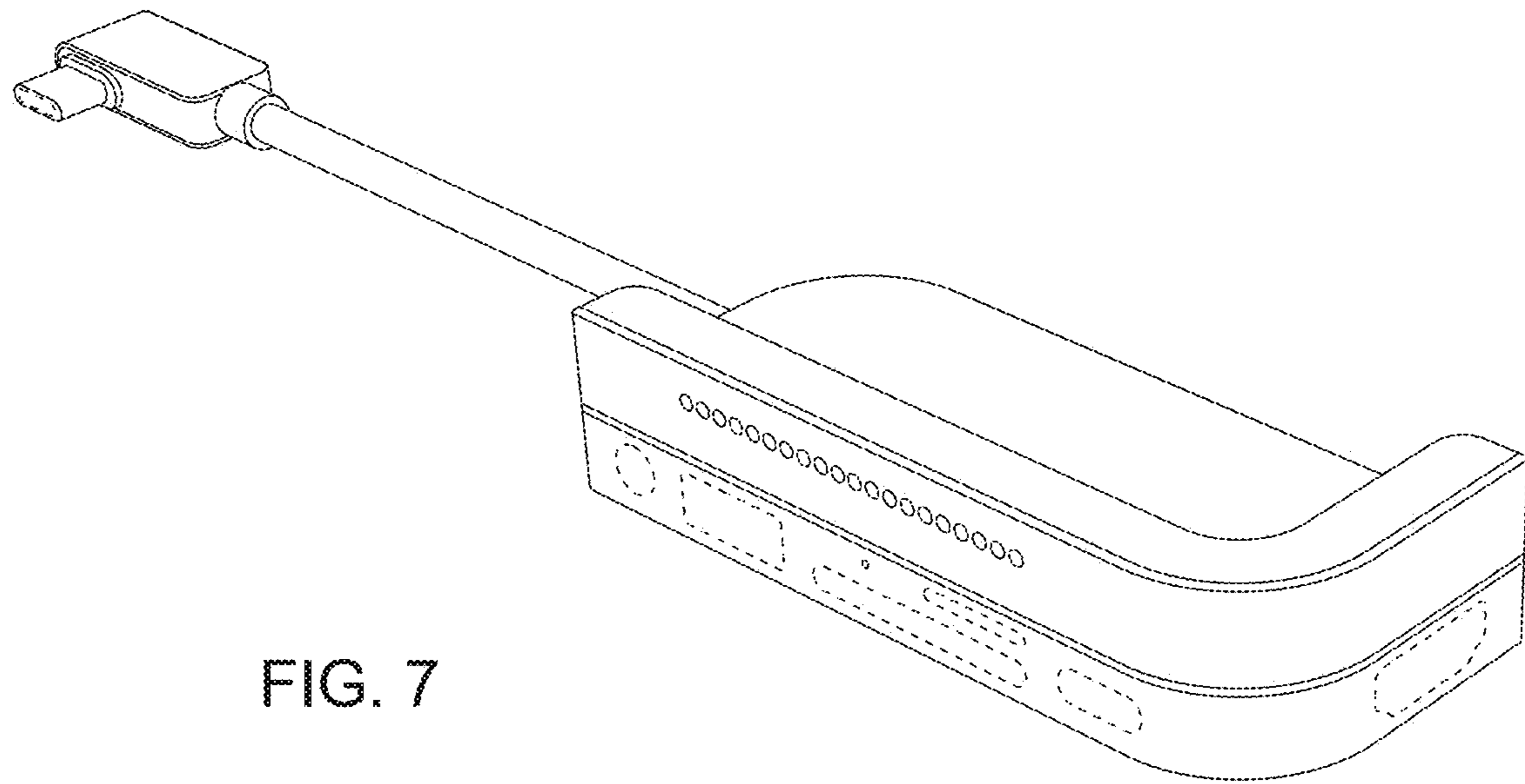


FIG. 7

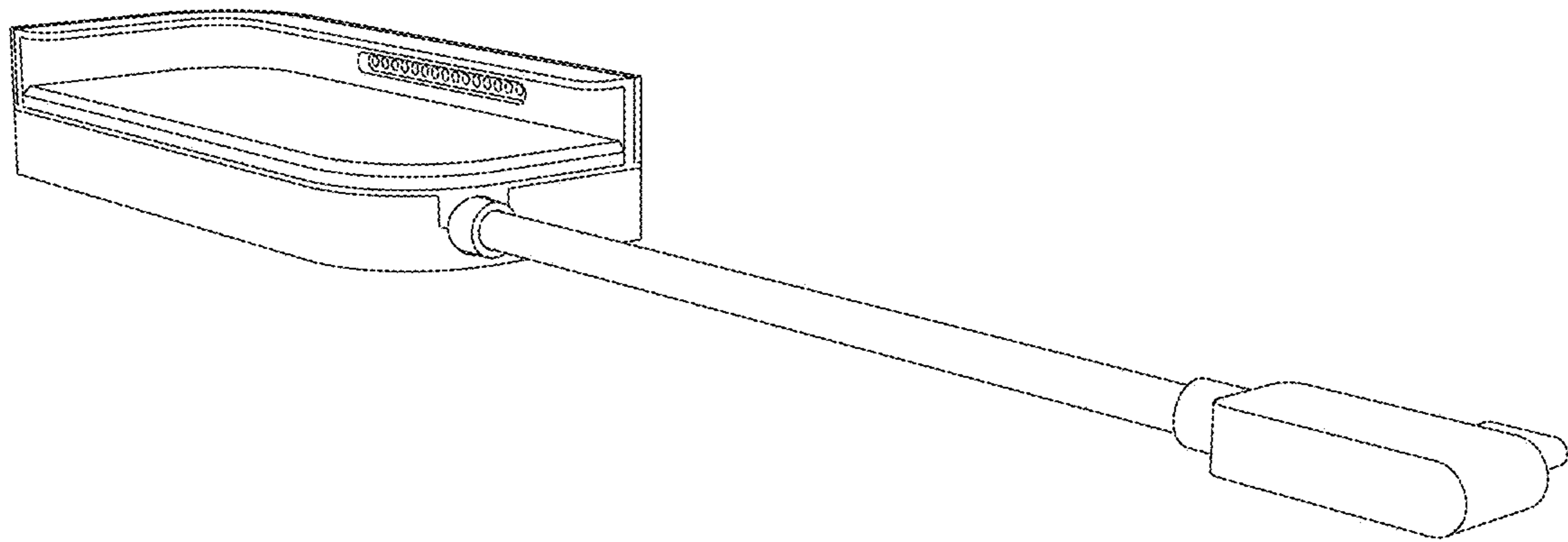


FIG. 8