



US00D928152S

(12) **United States Design Patent**  
**Fong et al.**

(10) **Patent No.:** **US D928,152 S**  
(45) **Date of Patent:** **\*\* Aug. 17, 2021**

(54) **INFORMATION HANDLING SYSTEM  
DISPLAY STAND**

D727,895 S \* 4/2015 Aoki ..... D14/371  
D733,083 S \* 6/2015 Hwangbo ..... D14/126  
D750,066 S \* 2/2016 Lin ..... D14/341

(Continued)

(71) Applicant: **Dell Products L.P.**, Round Rock, TX  
(US)

FOREIGN PATENT DOCUMENTS

(72) Inventors: **Ya Sang Fong**, Taichung (TW);  
**Tzu-Wei Tai**, Taipei (TW); **Eid-Beng  
Goh**, Taipei (TW)

CN 303628140 \* 3/2016  
KR 300656254.0000 \* 8/2012

(73) Assignee: **Dell Products L.P.**, Round Rock, TX  
(US)

OTHER PUBLICATIONS

(\*\*) Term: **15 Years**

Inspiron 24 5000 All-in-One Desktop, dell.com, Dell, author not listed, published Apr. 7, 2020 (c) 2020 Dell, URL: <https://www.dell.com/en-us/shop/desktop-computers/inspiron-24-5000-all-in-one/spd/inspiron-24-5490-aio> (Year: 2020).\*

(Continued)

(21) Appl. No.: **29/681,323**

(22) Filed: **Feb. 25, 2019**

*Primary Examiner* — Lakiya G Rogers

(51) **LOC (13) Cl.** ..... **14-02**

*Assistant Examiner* — Altaira J Swangin

(52) **U.S. Cl.**  
USPC ..... **D14/376**

(74) *Attorney, Agent, or Firm* — Zagorin Cave LLP;  
Robert W. Holland

(58) **Field of Classification Search**  
USPC ..... D14/371, 376, 315–327, 479, 150, 168,  
D14/203.4, 203.6, 247, 305–307, 331,  
D14/345–346, 374–377, 391–399, 401,  
D14/429, 434, 440, 455–457, 477, 507,  
D14/509; D3/900–901; 361/679.08,  
361/679.09, 679.11, 679.26, 679.27;  
D21/324, 409, 512, 515  
CPC ..... B41J 5/00; B41J 5/10; B41J 5/12; F16M  
11/10; G06F 3/0219; G06F 3/02  
See application file for complete search history.

(57) **CLAIM**

We claim the ornamental design for an information handling system display stand, as shown and described.

**DESCRIPTION**

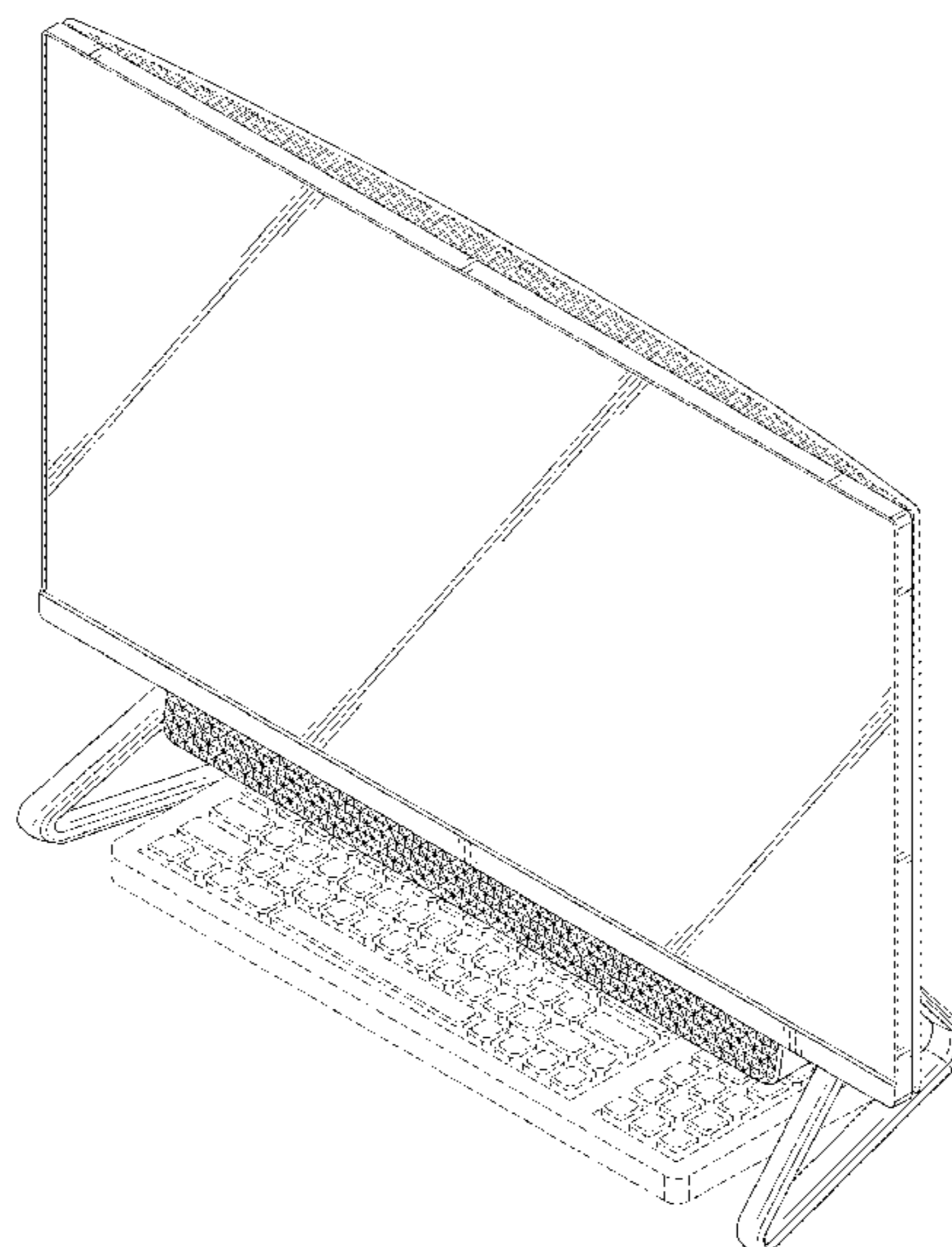
FIG. 1 is a front perspective view of the information handling system display stand comprising the present invention;  
FIG. 2 is a front elevation view thereof;  
FIG. 3 is a rear elevation view thereof;  
FIG. 4 is a right side view thereof;  
FIG. 5 is a left side view thereof;  
FIG. 6 is a top view thereof;  
FIG. 7 is a bottom view thereof; and,  
FIG. 8 is a rear perspective view thereof.  
Broken lines shown in the drawings illustrate portions of the information handling system display stand, and form no part of the claimed design.

(56) **References Cited**

U.S. PATENT DOCUMENTS

D599,792 S \* 9/2009 Lin ..... D14/331  
D686,583 S \* 7/2013 Yoo ..... D14/126  
D686,584 S \* 7/2013 Yoo ..... D14/126  
D686,585 S \* 7/2013 Yoon ..... D14/126  
D705,225 S \* 5/2014 Huh ..... D14/374  
D723,029 S \* 2/2015 Seoc ..... D14/336

**1 Claim, 7 Drawing Sheets**



(56)

References Cited

U.S. PATENT DOCUMENTS

D767,517 S \* 9/2016 Gomi ..... D14/126  
 D786,812 S \* 5/2017 McManigal ..... D14/126  
 D797,736 S \* 9/2017 Chu ..... D14/374  
 D817,329 S \* 5/2018 Chu ..... D14/374  
 D821,395 S \* 6/2018 Thetard ..... D14/374  
 10,194,546 B2 \* 1/2019 Hori ..... G09F 9/00  
 D848,970 S \* 5/2019 Lim ..... D14/126  
 D867,312 S \* 11/2019 McManigal ..... D14/126  
 D871,395 S \* 12/2019 Yang ..... D14/336  
 10,514,729 B2 \* 12/2019 Quijano ..... G06F 1/1656  
 D874,468 S \* 2/2020 Skinner ..... D14/451  
 D888,054 S \* 6/2020 Tai ..... D14/374  
 D894,141 S \* 8/2020 Kim ..... D14/126  
 D899,387 S \* 10/2020 Lee ..... D14/126  
 D908,797 S \* 1/2021 Lim ..... D20/10  
 D912,047 S \* 3/2021 Wang ..... D14/371  
 2017/0329364 A1 \* 11/2017 Kim ..... F16M 11/22  
 2020/0409410 A1 \* 12/2020 Kawaguchi ..... H04R 5/02

OTHER PUBLICATIONS

Inspiron 24 All-in-One Desktop, mysmartprice.com, Dell, author not listed, published by Asif Iqbal Shaik on Jun. 1, 2019 © 2018

MySmartPrice Web Technology Private Limited, URL: <https://www.mysmartprice.com/gear/dell-unveils-new-inspiron-11-2-1-inspiron-13-inspiron-15-xps-13-2-1> . . . (Year: 2019).\*

Inspiron 24 5000 All-in-One, Dell, topics-cdn.dell.com, author and date not listed © Dell, online, site visited Nov. 19, 2019. Available at URL: [https://topics-cdn.dell.com/pdf/inspiron-24-5477-aio\\_setup-guide\\_en-us.pdf](https://topics-cdn.dell.com/pdf/inspiron-24-5477-aio_setup-guide_en-us.pdf) (Year: 2019).\*

Inspiron 7790 27" All-in-One Desktop Computer, microcenter.com, Dell, author not listed, published Feb. 26, 2020 per wayback machine © 2020 Dell, URL: <https://www.dell.com/en-us/shop/desktop-computers/inspiron-24-5000-all-in-one/spd/inspiron-24-5490-aio> (Year: 2020).\*

Design U.S. Appl. No. 29/647,255, filed May 11, 2018, entitled "Display Stand".

Lenovo, "PC De Bureau Tout-En-Un Lenovo V530," downloaded from [https://static.lenovo.com/shop/emea/content/pdf/ThinkCentre/Essential%20AIO/2018/V530\\_AIO/Lenovo\\_V530\\_AIO\\_DS\\_FR.pdf](https://static.lenovo.com/shop/emea/content/pdf/ThinkCentre/Essential%20AIO/2018/V530_AIO/Lenovo_V530_AIO_DS_FR.pdf) on May 29, 2019, 4 pages.

HP, "HP Pavilion All-in-One-27-xa0025xt," downloaded from <https://store.hp.com/us/en/mdp/desktops/pavilion-27-all-in-one#!&tab=vao> on May 29, 2019, 6 pages.

\* cited by examiner

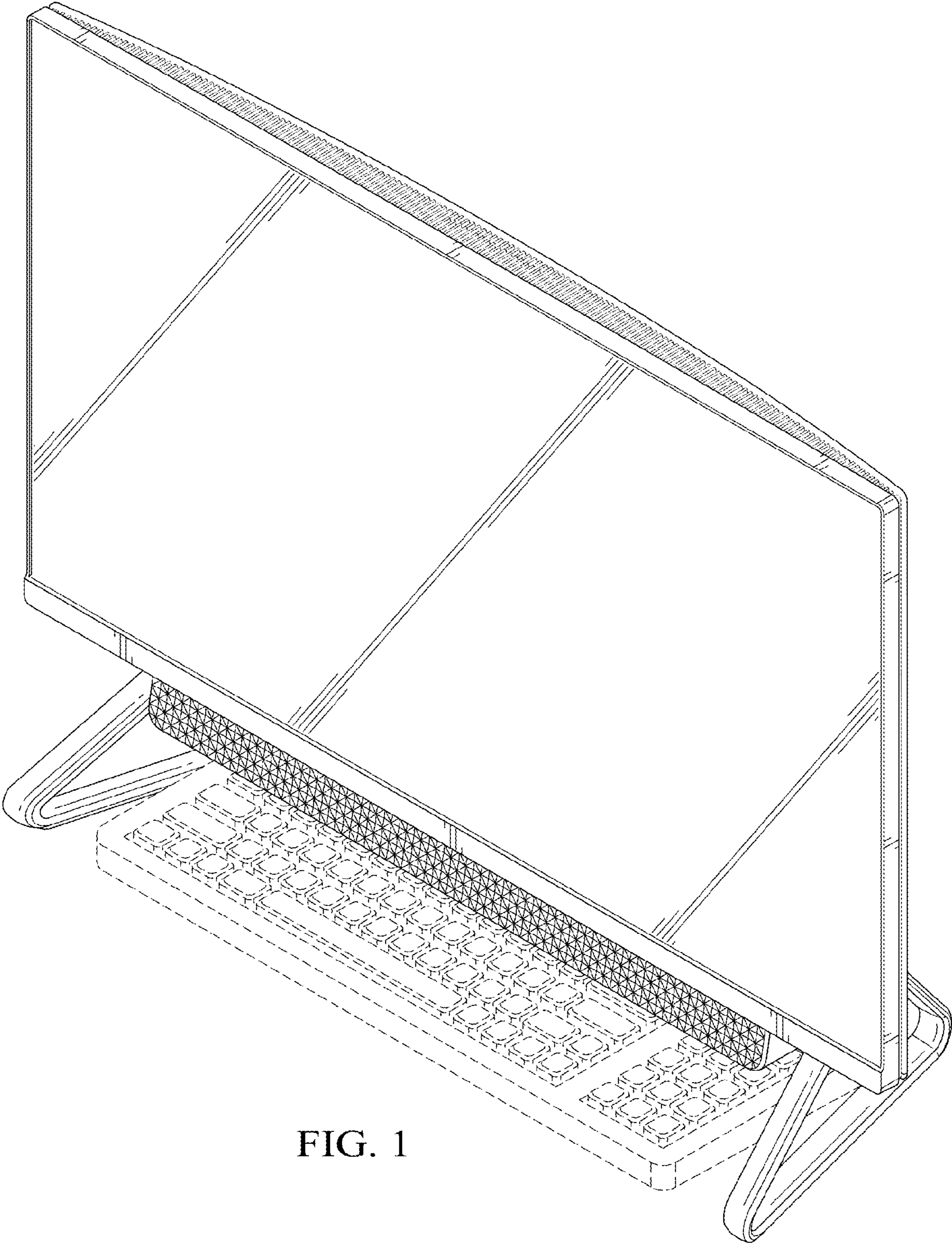


FIG. 1

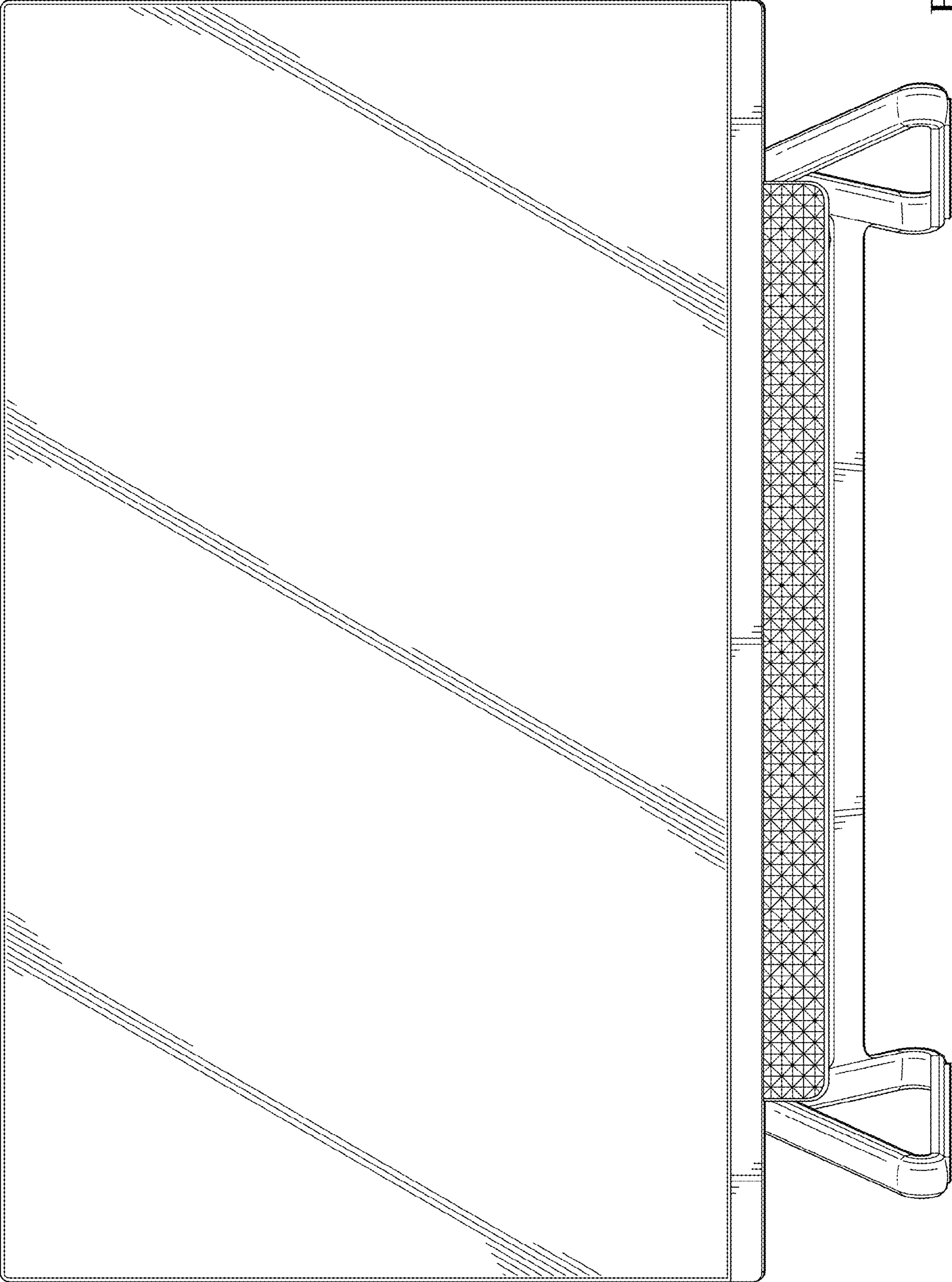


FIG. 2

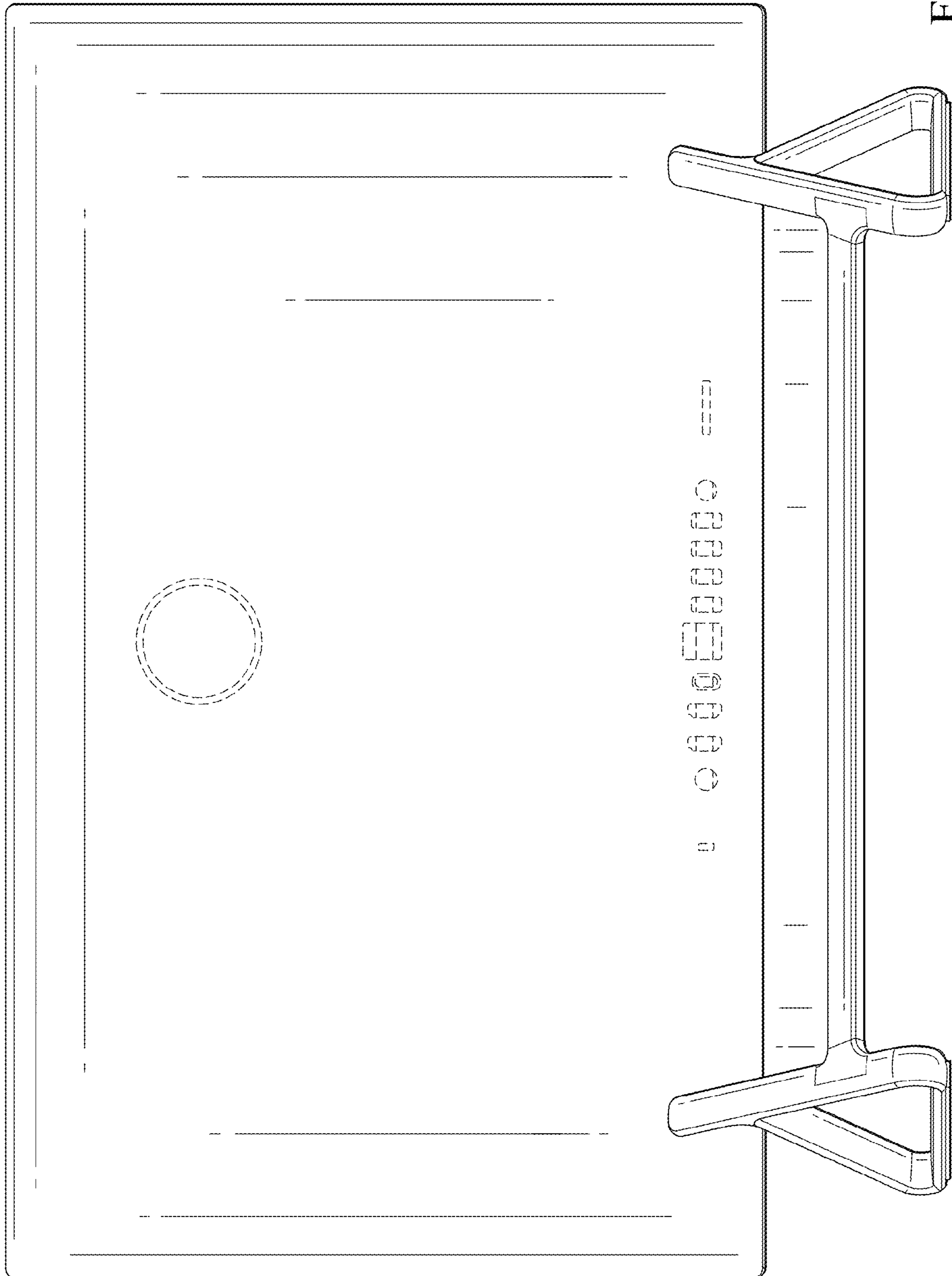


FIG. 3

FIG. 5

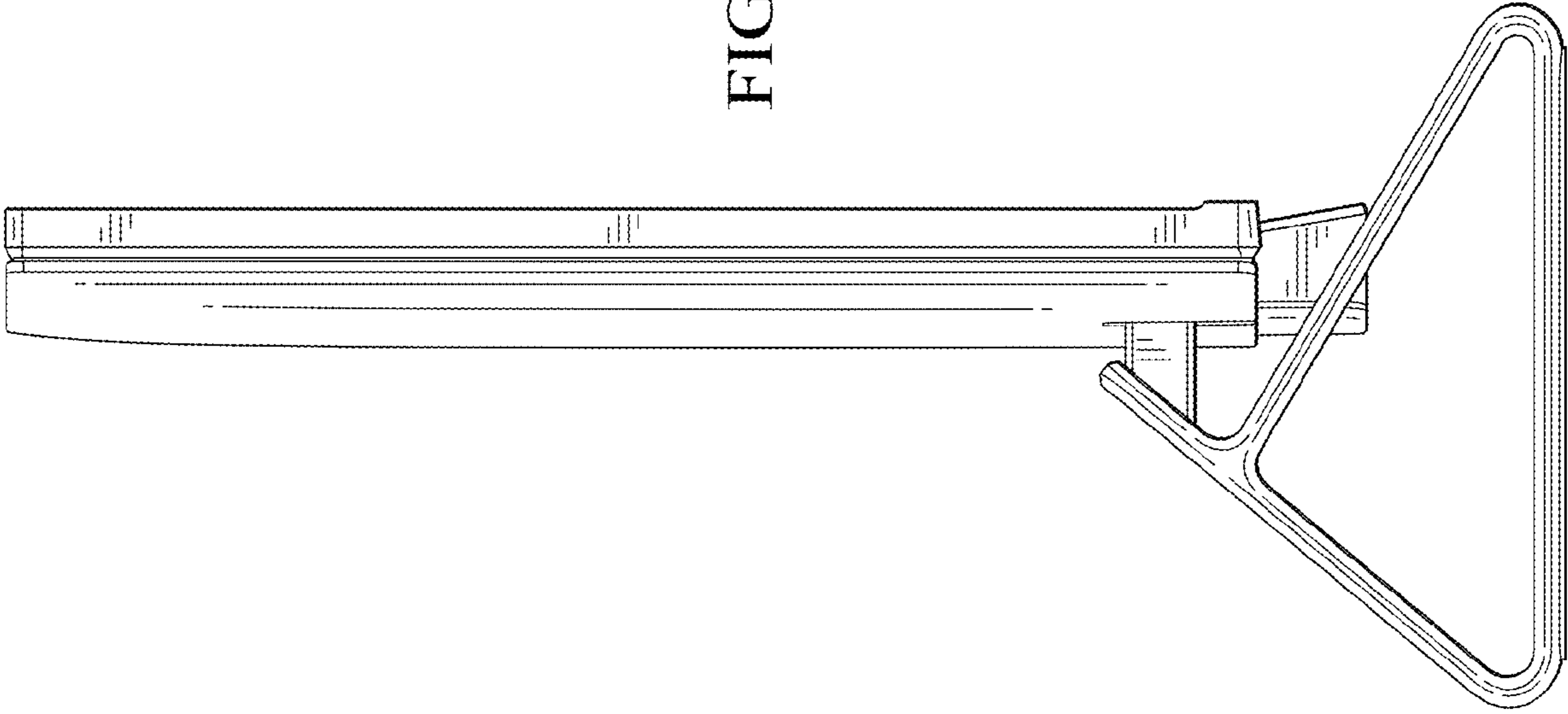
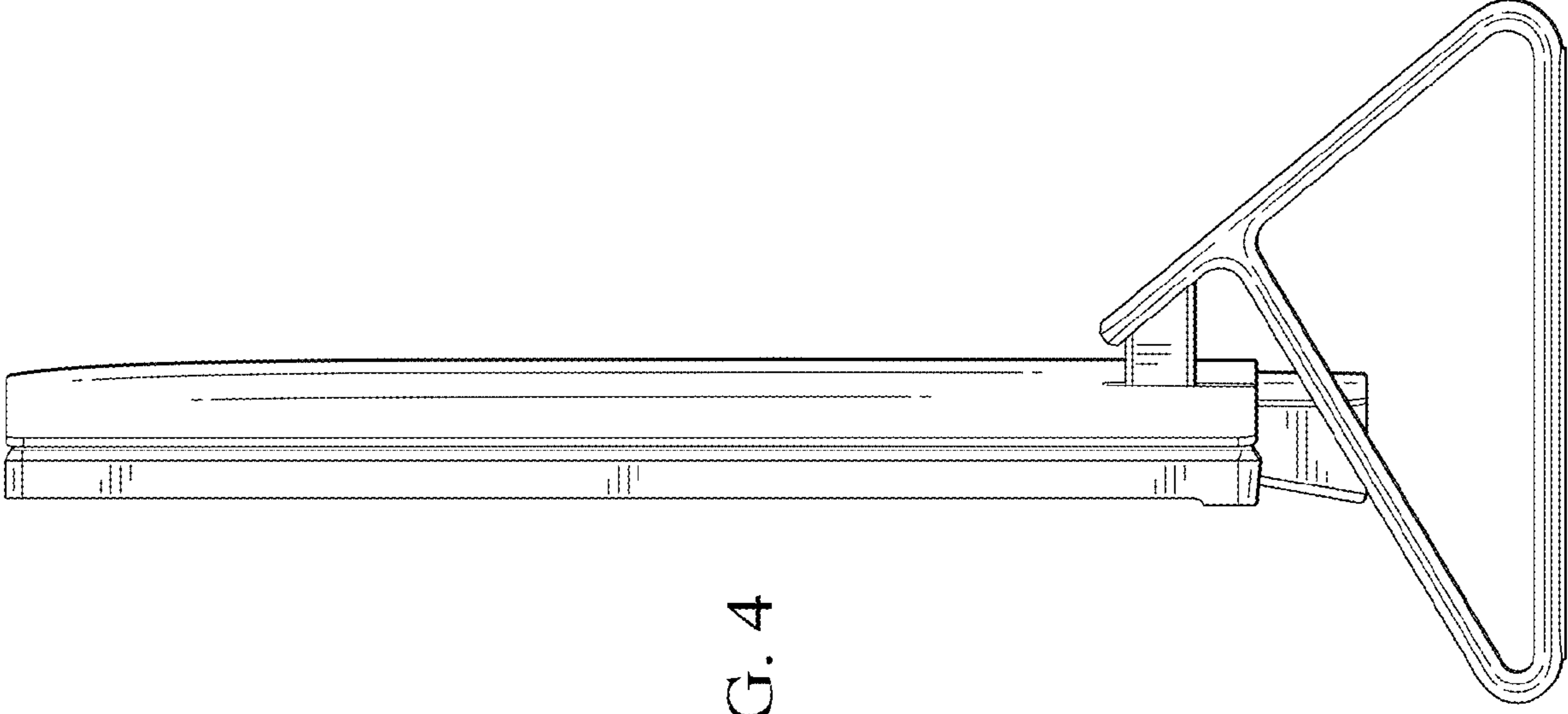


FIG. 4



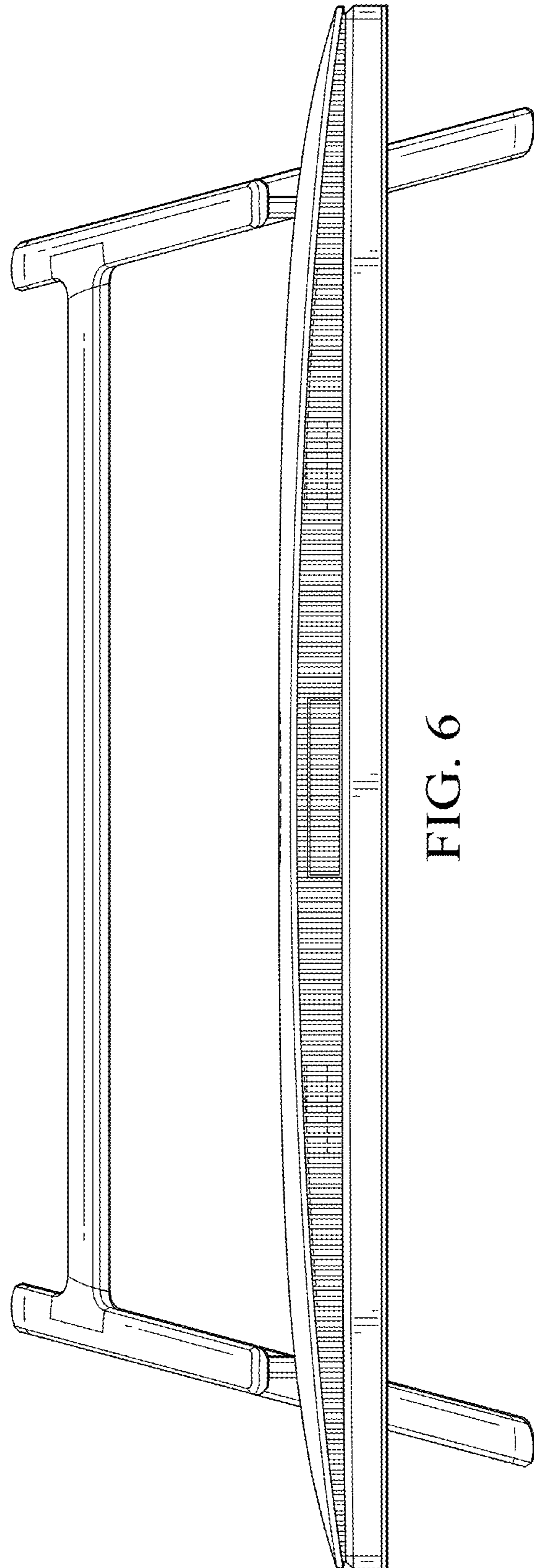


FIG. 6

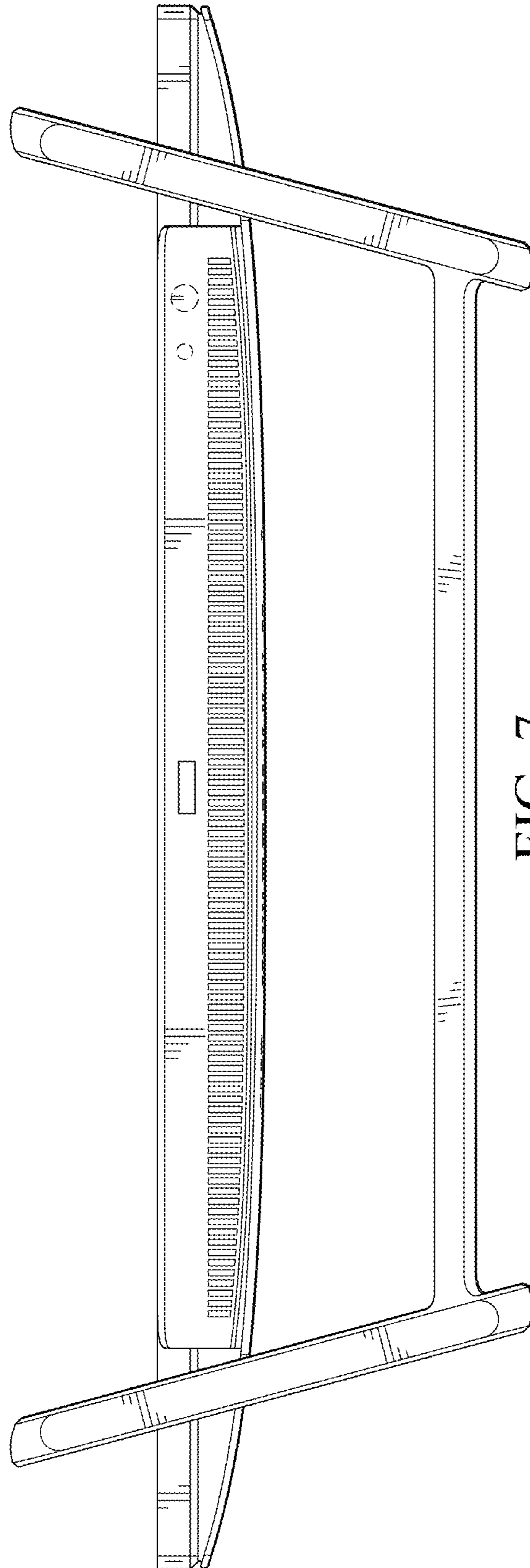


FIG. 7



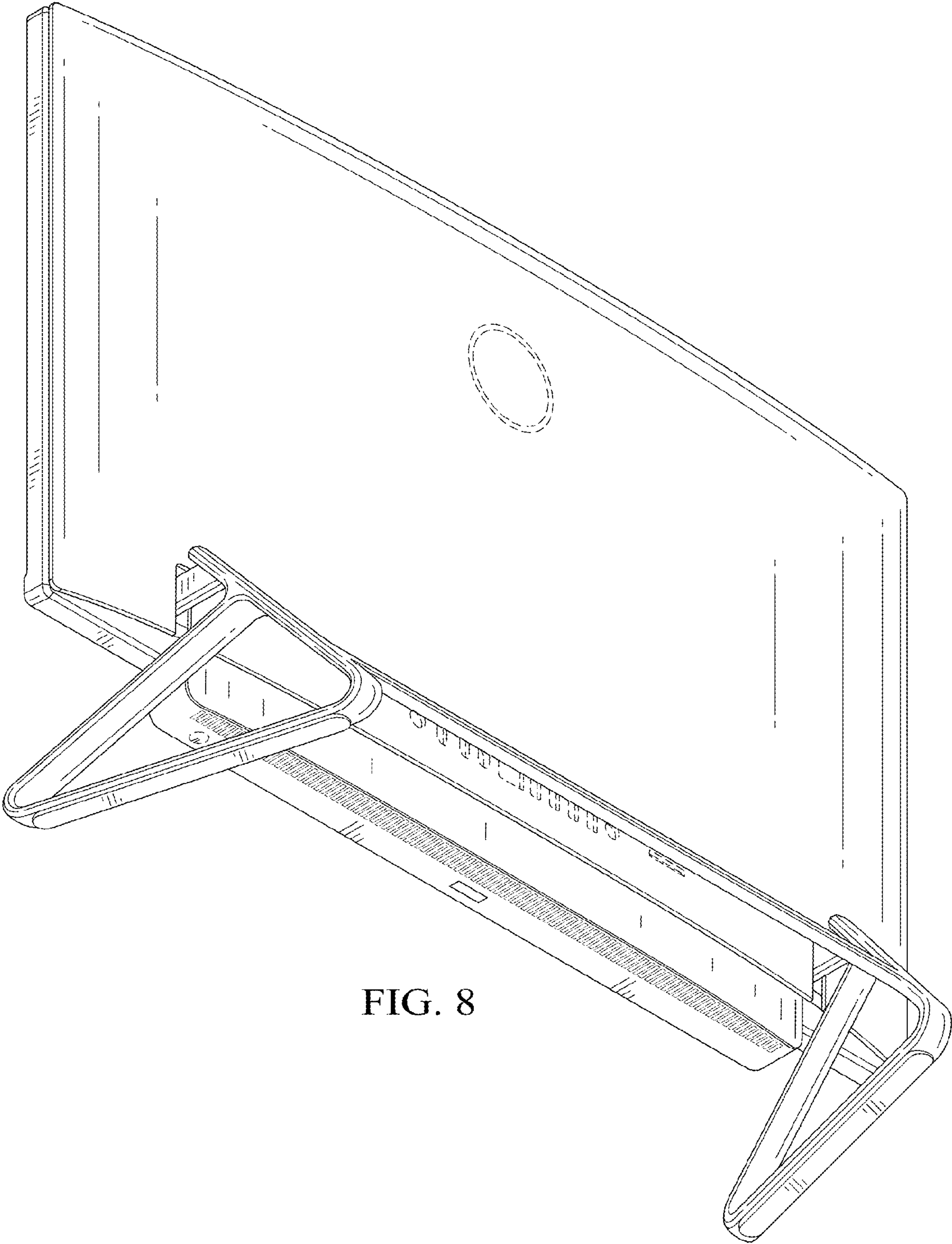


FIG. 8