



US00D928150S

(12) **United States Design Patent**
Maruyama et al.

(10) **Patent No.:** **US D928,150 S**

(45) **Date of Patent:** **** Aug. 17, 2021**

(54) **DATA INPUT DEVICE**

(71) Applicant: **NINTENDO CO., LTD.**, Kyoto (JP)

(72) Inventors: **Kazuhiro Maruyama**, Kyoto (JP);
Wakana Ohori, Kyoto (JP); **Yuki Taniguchi**, Kyoto (JP); **Yoshitaka Tamura**, Kyoto (JP); **Masaya Takei**, Kyoto (JP)

(73) Assignee: **Nintendo Co., Ltd.**, Kyoto (JP)

(**) Term: **15 Years**

(21) Appl. No.: **29/714,334**

(22) Filed: **Nov. 22, 2019**

(30) **Foreign Application Priority Data**

May 24, 2019 (JP) 2019-011405

(51) **LOC (13) Cl.** **14-02**

(52) **U.S. Cl.**
USPC **D14/358**; D24/186; D21/333; D10/70

(58) **Field of Classification Search**
USPC D14/388, 218, 454, 299, 496, 400, 401,
D14/203.1, 203.3, 203.6, 432, 420, 421,
D14/453, 356, 357, 344; D13/168;
D21/333, 324; D10/104.1, 65, 70;
D24/165, 167, 168, 186
CPC G06F 3/015; G06F 1/1694; G06F
2221/2111; A61B 5/4809
See application file for complete search history.

(56) **References Cited**

U.S. PATENT DOCUMENTS

D221,818 S * 9/1971 Chardack D24/167
D230,608 S * 3/1974 Winston D14/202
D325,582 S * 4/1992 Emmons D14/218
D331,060 S * 11/1992 Emmons D14/218
5,243,430 A * 9/1993 Emmons H04B 1/202
340/12.22

D362,070 S * 9/1995 Willis D24/186
D371,793 S * 7/1996 Patton D14/218
D391,944 S * 3/1998 Han D14/356
D396,852 S * 8/1998 Chao D14/358
D414,476 S * 9/1999 Hibino D14/358
D435,045 S * 12/2000 Treadwell D14/402
D440,163 S * 4/2001 Callis D10/31
D442,570 S * 5/2001 Arjomand D14/203.6
D451,039 S * 11/2001 King D10/70
D453,329 S * 2/2002 Muramatsu D14/230
D466,896 S * 12/2002 Cheng D14/356

(Continued)

OTHER PUBLICATIONS

DataInput-ScanningDevice. (Design—© Questel) orbit.com. [online PDF of Foreign references] 20 pgs. Print Dates range Aug. 27, 2019-Sep. 29, 2020 [Retrieved Apr. 7, 2021] <https://www.orbit.com/export/QPTUJ214/pdf2/b5be02a3-a1f4-461d-91be-ac60ba167428-215501.pdf>.*

(Continued)

Primary Examiner — Marie D. Fast Horse
(74) *Attorney, Agent, or Firm* — Nixon & Vanderhye PC

(57) **CLAIM**

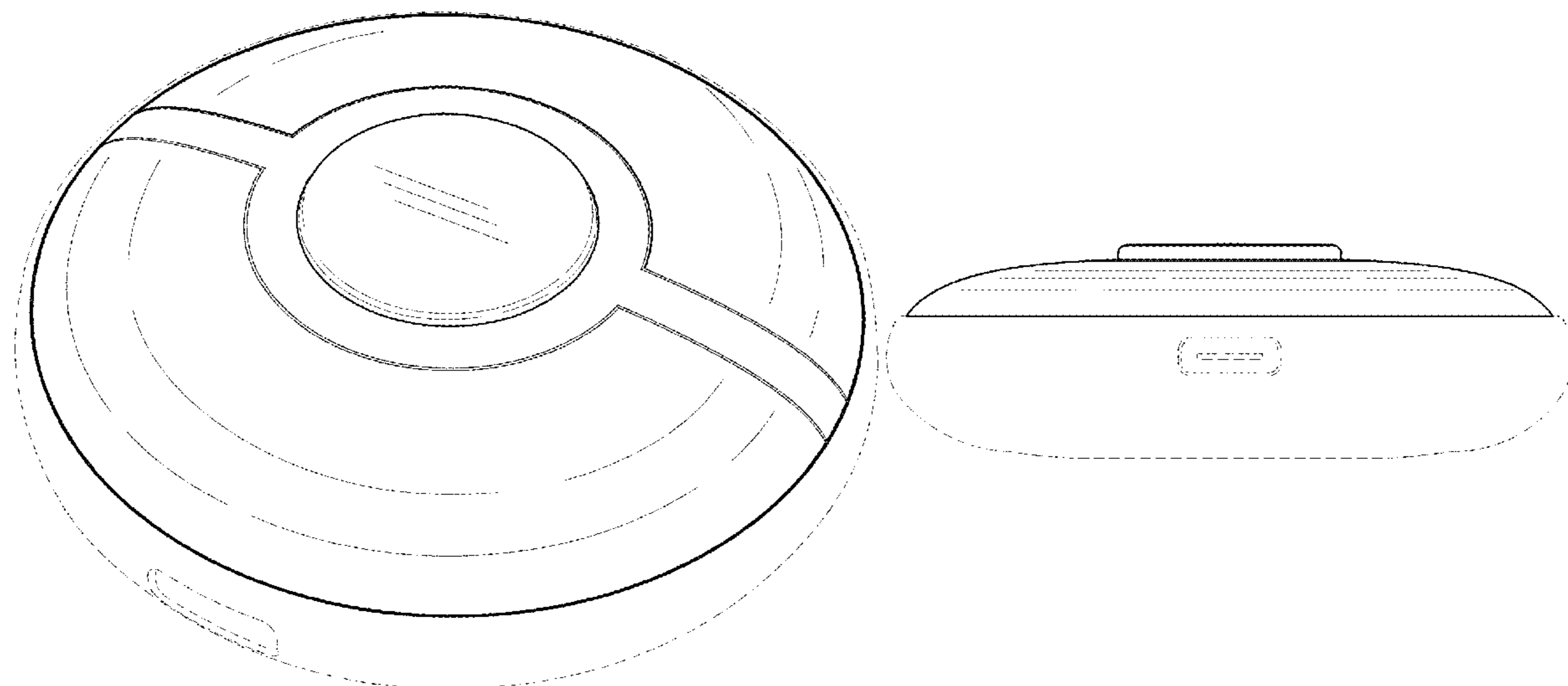
The ornamental design for a data input device, as shown and described.

DESCRIPTION

FIG. 1 is a front side perspective view of a data input device showing our new design;
FIG. 2 is a back side perspective view thereof;
FIG. 3 is a front view thereof;
FIG. 4 is a back view thereof;
FIG. 5 is a top view thereof;
FIG. 6 is a bottom view thereof;
FIG. 7 is a right view thereof; and,
FIG. 8 is a left view thereof.

The broken lines in the drawings depict portions of the data input device that form no part of the claimed design.

1 Claim, 8 Drawing Sheets



(56)

References Cited

U.S. PATENT DOCUMENTS

- D467,892 S * 12/2002 Lewis D14/203.6
D496,004 S * 9/2004 Borsboom D13/168
D507,569 S * 7/2005 Tagliabue D14/356
D512,417 S * 12/2005 Hirakawa D14/223
D514,122 S * 1/2006 Rodarte D14/203.6
D519,454 S * 4/2006 Christianson D13/133
D519,504 S * 4/2006 Tagliabue D14/356
D526,916 S * 8/2006 Oas D10/70
D531,159 S * 10/2006 Park D14/203.3
D550,297 S * 9/2007 Luciano, Jr. D13/171
D550,299 S * 9/2007 Luciano, Jr. D13/171
D554,614 S * 11/2007 Lin D14/509
D556,268 S * 11/2007 Luciano, Jr. D21/369
D561,113 S * 2/2008 Samhammer D13/162
D568,304 S * 5/2008 Park D14/240
D596,815 S * 7/2009 Baek D32/21
D598,018 S * 8/2009 Sumii D14/301
D601,564 S * 10/2009 Maeno D21/333
D605,305 S * 12/2009 Carter D24/231
D622,724 S * 8/2010 Burke D14/400
D626,147 S * 10/2010 Goddard D14/496
D627,306 S * 11/2010 Charleux D13/168
D630,112 S * 1/2011 Maruyama D10/70
D631,475 S * 1/2011 Burke D14/400
D632,265 S * 2/2011 Choi D13/168
D632,281 S * 2/2011 Hoehn D14/218
D636,394 S * 4/2011 Burke D14/400
D638,001 S * 5/2011 Nakhjiri D14/242
RE42,686 E * 9/2011 Shimizu D13/168
D645,818 S * 9/2011 Guccione D13/108
D652,898 S * 1/2012 Flowers D23/252
D659,093 S * 5/2012 Schmid D13/108
D683,636 S * 6/2013 Levanen D10/70
D683,843 S * 6/2013 Cudworth D24/109
D700,571 S * 3/2014 Guccione D13/108
D700,904 S * 3/2014 Miller D14/218
D717,674 S * 11/2014 Vu D10/65
D725,034 S * 3/2015 Chen D13/108
D732,033 S * 6/2015 Sakaguchi D14/388
D747,494 S * 1/2016 Tamsiran D24/186
D755,396 S * 5/2016 Rechberg D24/186
D755,750 S * 5/2016 Chen D14/172
D757,946 S * 5/2016 Kikuchi D24/186
D760,221 S * 6/2016 Maruyama D14/357
D765,256 S * 8/2016 Bates D24/186
D768,114 S * 10/2016 Hou D14/218
D772,873 S * 11/2016 Kowal D14/358
D773,437 S * 12/2016 Lee D14/223
D773,947 S * 12/2016 Scarcella D10/104.1
D775,233 S * 12/2016 Beck D14/496
D776,285 S * 1/2017 Dinger D24/186
D782,485 S * 3/2017 Cai D14/433
D783,838 S * 4/2017 Zhao D24/186
D784,287 S * 4/2017 Murray D14/168
D796,046 S * 8/2017 Sadot D24/186
D796,355 S * 9/2017 Cho D10/70
D796,682 S * 9/2017 Falk D24/186
D803,410 S * 11/2017 Im D24/187
D804,531 S * 12/2017 Beck D14/496
D805,926 S * 12/2017 Im D10/57
D806,254 S * 12/2017 Im D24/186
D806,711 S * 1/2018 Sakaguchi D14/388
D807,512 S * 1/2018 Raisanen D24/186
D809,951 S * 2/2018 Yang D10/104.1
D810,698 S * 2/2018 Hahn D13/156
D810,952 S * 2/2018 Hsu D24/200
D813,761 S * 3/2018 Balaresque D12/174
D820,238 S * 6/2018 Boshernitzan D14/218
D822,717 S * 7/2018 Lim D14/496
D824,034 S * 7/2018 Pushpala D24/186
D826,738 S * 8/2018 Liao D10/52
D826,748 S * 8/2018 Kim D10/70
D827,831 S * 9/2018 Fong D24/167
D827,840 S * 9/2018 Sobczyk D24/186
D829,714 S * 10/2018 Robinson D14/356
D831,189 S * 10/2018 Fang D24/107
D833,023 S * 11/2018 Maletic D24/186
D834,200 S * 11/2018 Bates D24/186
D834,560 S * 11/2018 Hardi D14/218
D838,372 S * 1/2019 Goering D24/186
D839,111 S * 1/2019 Krishnan D10/78
D839,189 S * 1/2019 Miller D13/108
D840,357 S * 2/2019 Zhao D24/186
D840,358 S * 2/2019 Zhao D24/186
D840,361 S * 2/2019 Gassner D13/168
D849,704 S * 5/2019 Kim D14/137
D853,382 S * 7/2019 Haigh D14/358
D854,168 S * 7/2019 He D24/187
D855,567 S * 8/2019 Cai D13/108
D858,463 S * 9/2019 Nien D13/168
D860,198 S * 9/2019 Engwall D14/356
D861,176 S * 9/2019 Yoon D24/186
D861,644 S * 10/2019 Sohn D14/218
D863,256 S * 10/2019 Lindof D14/217
D864,961 S * 10/2019 Sakaguchi D14/388
D865,543 S * 11/2019 Lumme D10/70
D865,760 S * 11/2019 Beristain D14/344
D866,553 S * 11/2019 Miura D14/388
D870,896 S * 12/2019 Komaki D24/186
D875,555 S * 2/2020 Komulainen D24/186
D877,344 S * 3/2020 Munger D24/186
D878,325 S * 3/2020 Paterson D14/357
D879,053 S * 3/2020 Yu D13/168
D879,969 S * 3/2020 Sandt D24/186
D882,432 S * 4/2020 Yee A61B 5/0024
D890,752 S * 7/2020 Huang D14/358
D898,024 S * 10/2020 Lai D14/371
D899,524 S * 10/2020 Maruyama D21/300
D900,812 S * 11/2020 Friedman D14/357
D901,431 S * 11/2020 Paterson D14/357
D903,125 S * 11/2020 Burns D24/186
D910,598 S * 2/2021 Kass G06F 1/1656
D913,512 S * 3/2021 Zhang D14/218
2016/0058366 A1 * 3/2016 Choi A61B 5/4806
2019/0358533 A1 * 11/2019 Takei G06F 3/016
2020/0114253 A1 * 4/2020 Maruyama A63F 13/23
2020/0398155 A1 * 12/2020 Niwa A63F 13/23

OTHER PUBLICATIONS

Pokemon GO Plus, (online) 3 pgs. Available May 28, 2019 [Retrieved Apr. 7, 2021] https://pokemongo.fandom.com/wiki/Pok%C3%A9mon_GO_Plus%2B.*

* cited by examiner

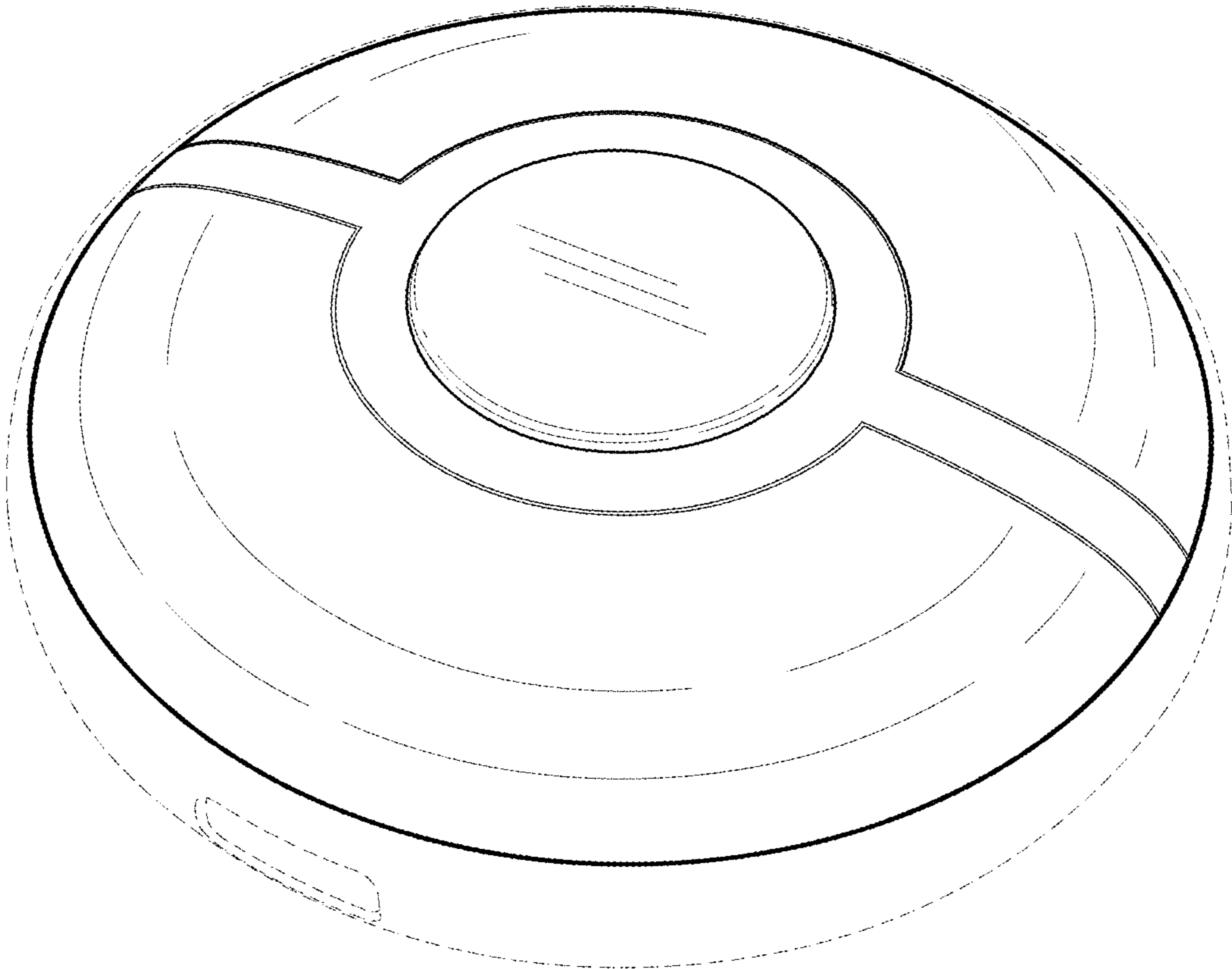


FIG. 1

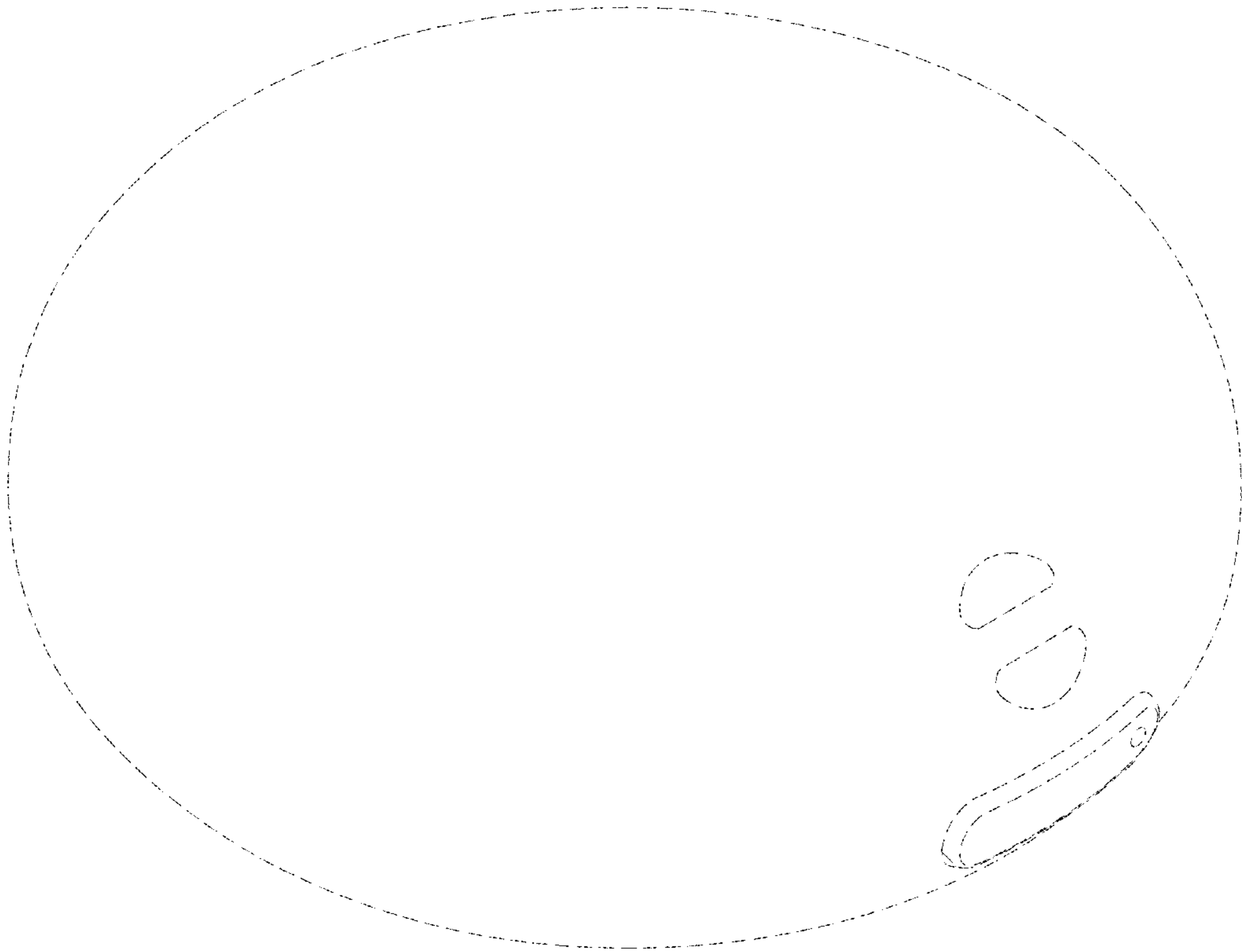


FIG. 2

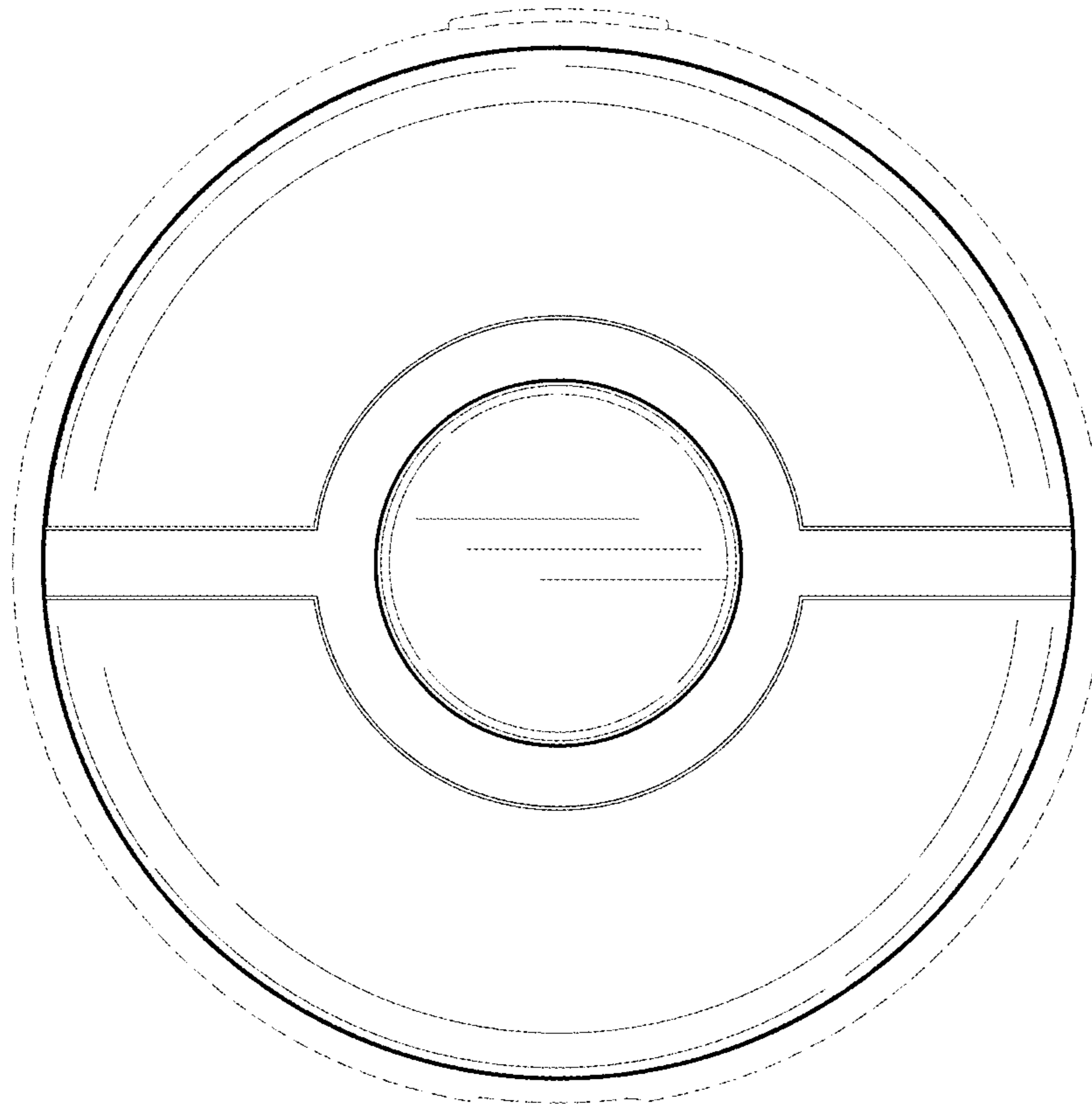


FIG. 3

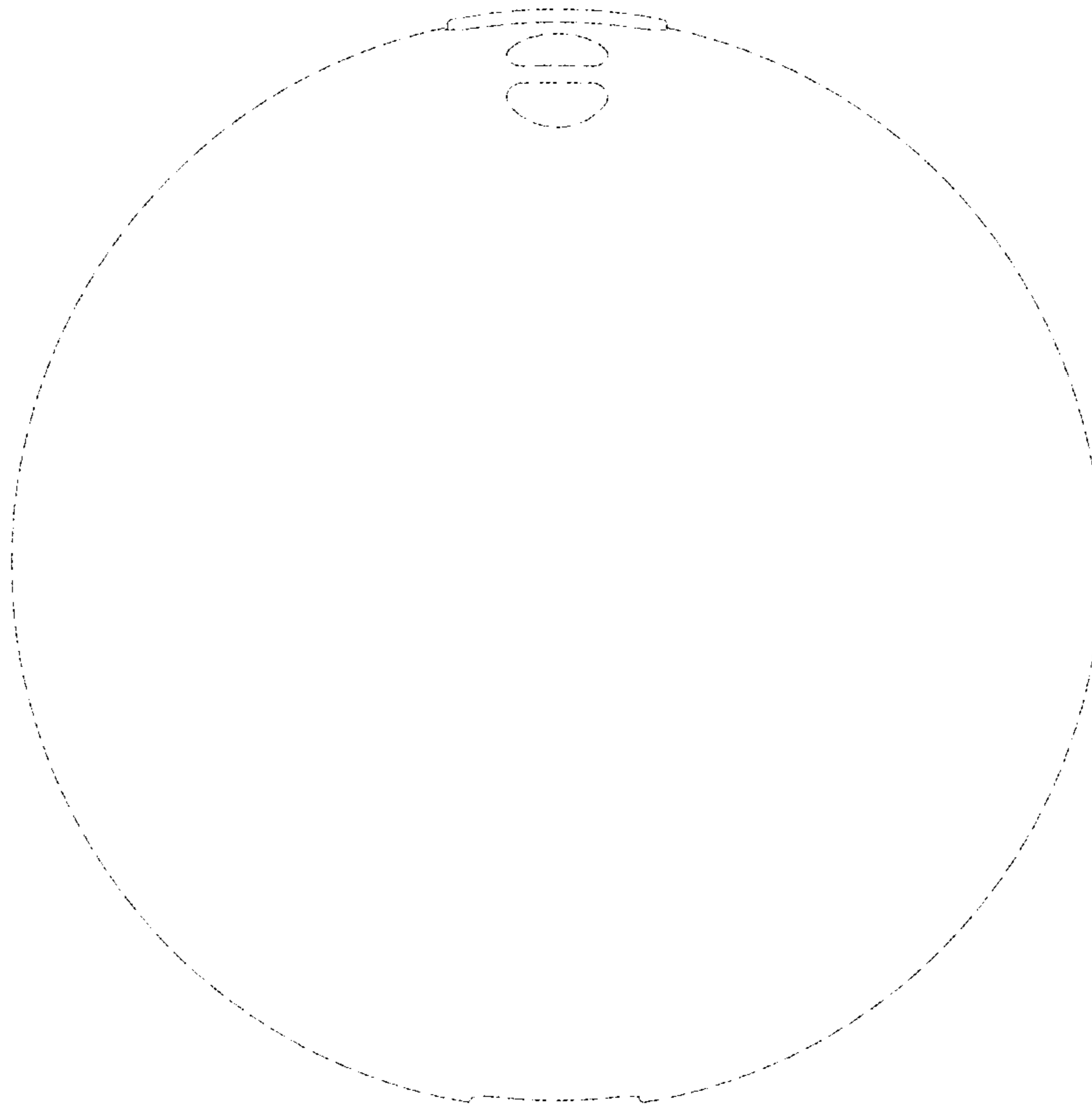


FIG. 4

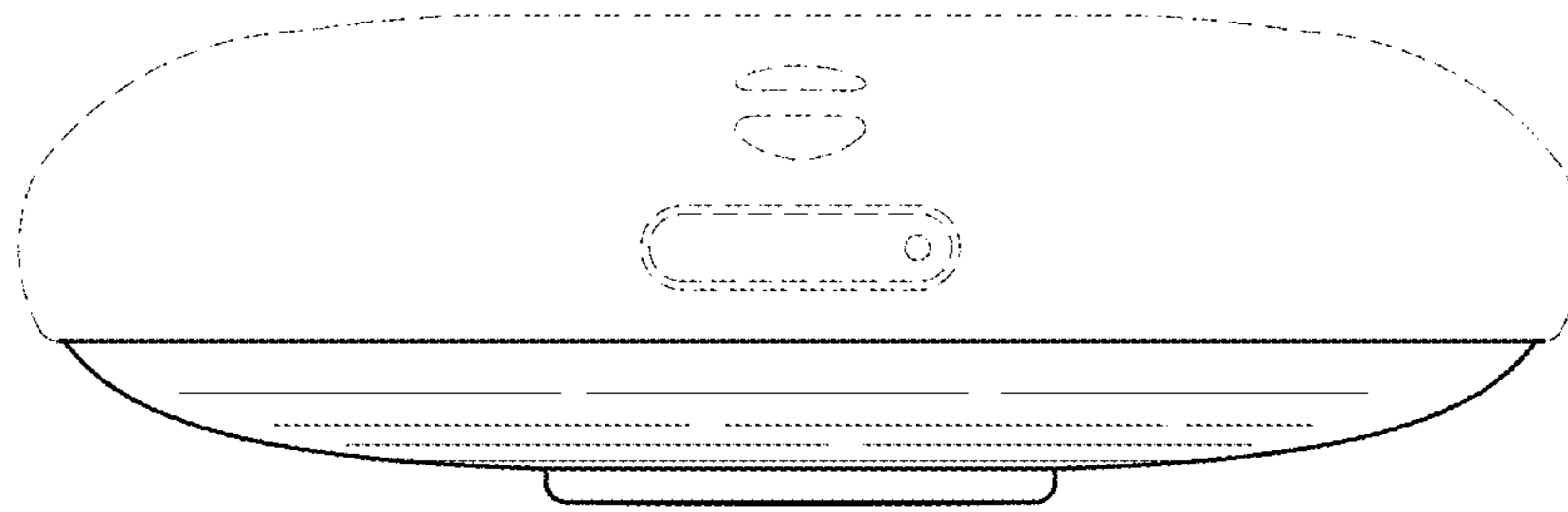


FIG. 5

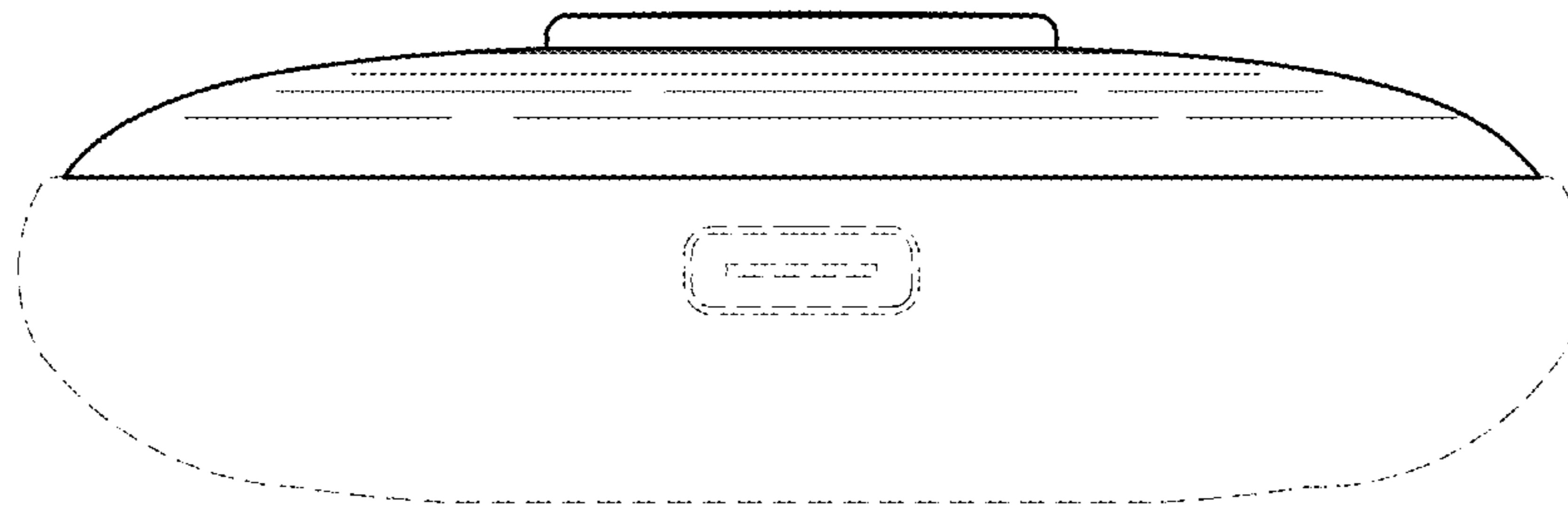


FIG. 6

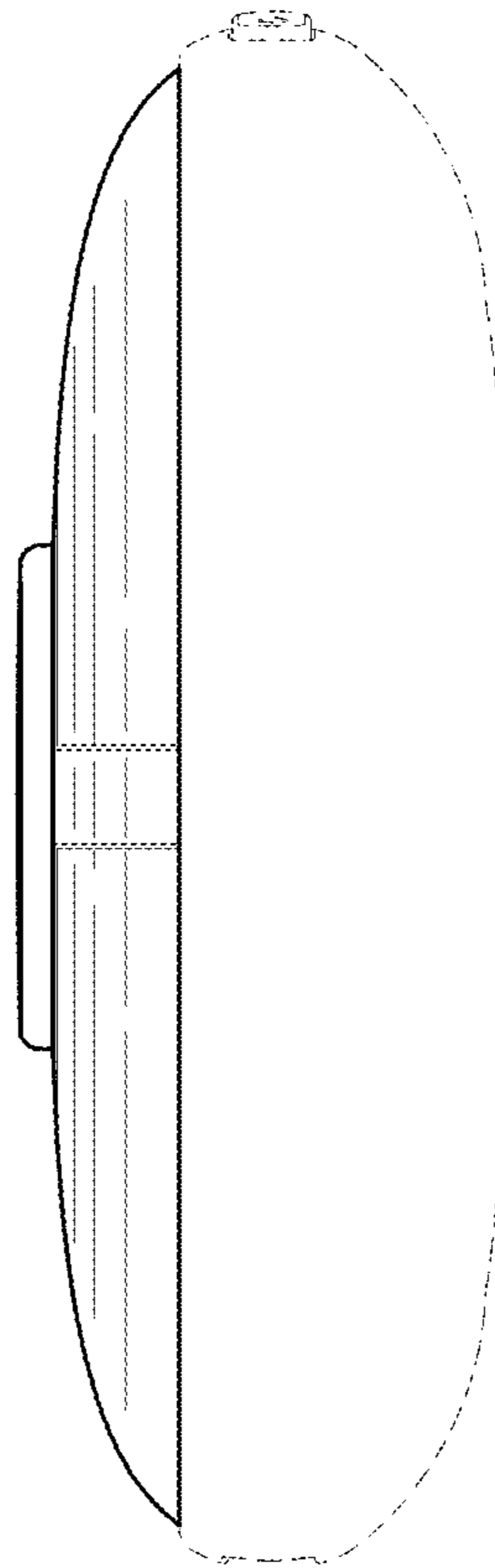


FIG. 7

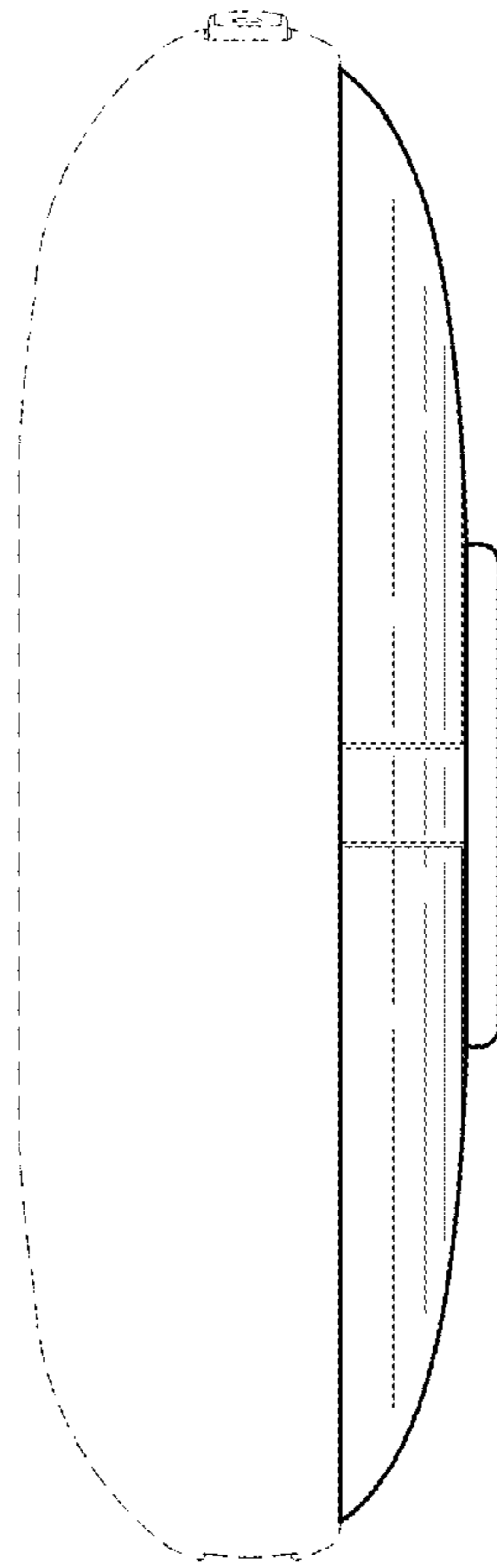


FIG. 8