



US00D928148S

(12) **United States Design Patent** (10) **Patent No.:** **US D928,148 S**  
**Wu** (45) **Date of Patent:** **\*\* Aug. 17, 2021**

(54) **SMARTWATCH**

(71) Applicant: **SHENZHEN DO INTELLIGENT TECHNOLOGY CO., LTD.**,  
Guangdong (CN)

(72) Inventor: **Dajun Wu**, Guangdong (CN)

(73) Assignee: **SHENZHEN DO INTELLIGENT TECHNOLOGY CO., LTD.**,  
Guangdong (CN)

(\*\*) Term: **15 Years**

(21) Appl. No.: **29/721,585**

(22) Filed: **Jan. 22, 2020**

(30) **Foreign Application Priority Data**

Nov. 27, 2019 (CN) ..... 201930658382.0

(51) **LOC (13) Cl.** ..... **14-02**

(52) **U.S. Cl.**  
USPC ..... **D14/344**

(58) **Field of Classification Search**  
USPC ... D14/126-130, 138, 138 R, 144, 300, 341,  
D14/344, 358, 388, 485-495, 218;  
D10/30-39, 40, 41, 46, 70, 79, 98, 106.5,  
D10/106.6, 106.92, 106.94, 114.6, 123,  
D10/125-128, 131; D11/1-4, 26, 40-41,  
D11/93, 94, 78.1, 79, 86; D24/167-169,  
D24/186-187, 164; D21/324-329  
CPC ..... A41D 1/002; A41D 19/0034; G06F 1/08;  
G06F 1/10; G06F 1/14; G06F 1/1626;  
G06F 1/1628; G06F 1/163; G06F 1/1635;  
G06F 1/3203; G06F 1/1613; G06F  
2200/1633; G06F 3/0488; G06F 3/04886;  
G06F 3/044; G06F 3/0412; G06F 3/0416;  
G06Q 20/10; G06Q 20/12; G06Q 20/108;  
G06Q 20/145; H04B 1/3833; H04B  
1/385; H04B 1/3888;

(Continued)

(56) **References Cited**

U.S. PATENT DOCUMENTS

D771,036 S \* 11/2016 Akana ..... D14/344  
D828,352 S \* 9/2018 Akana ..... D14/344

(Continued)

FOREIGN PATENT DOCUMENTS

CN 202030160878.8 \* 4/2020

OTHER PUBLICATIONS

AIKELA Smart Watch, first available Oct. 29, 2020, amazon.com,  
[online], [site visited Jan. 21, 2021], Available from internet URL:  
[https://www.amazon.com/dp/B08L91GVTR/ref=sspa\\_dk\\_detail\\_6?psc=1&pd\\_rd\\_i=B08L91GVTR&pd\\_rd\\_w=JpAWz&pf\\_rd\\_p=45e679f6-d55f-4626-9%E2%80%A6](https://www.amazon.com/dp/B08L91GVTR/ref=sspa_dk_detail_6?psc=1&pd_rd_i=B08L91GVTR&pd_rd_w=JpAWz&pf_rd_p=45e679f6-d55f-4626-9%E2%80%A6) (Year: 2020).\*

(Continued)

*Primary Examiner* — Samantha Q Lawrence

*Assistant Examiner* — Holly M Rodriguez

(74) *Attorney, Agent, or Firm* — Ballard Spahr LLP

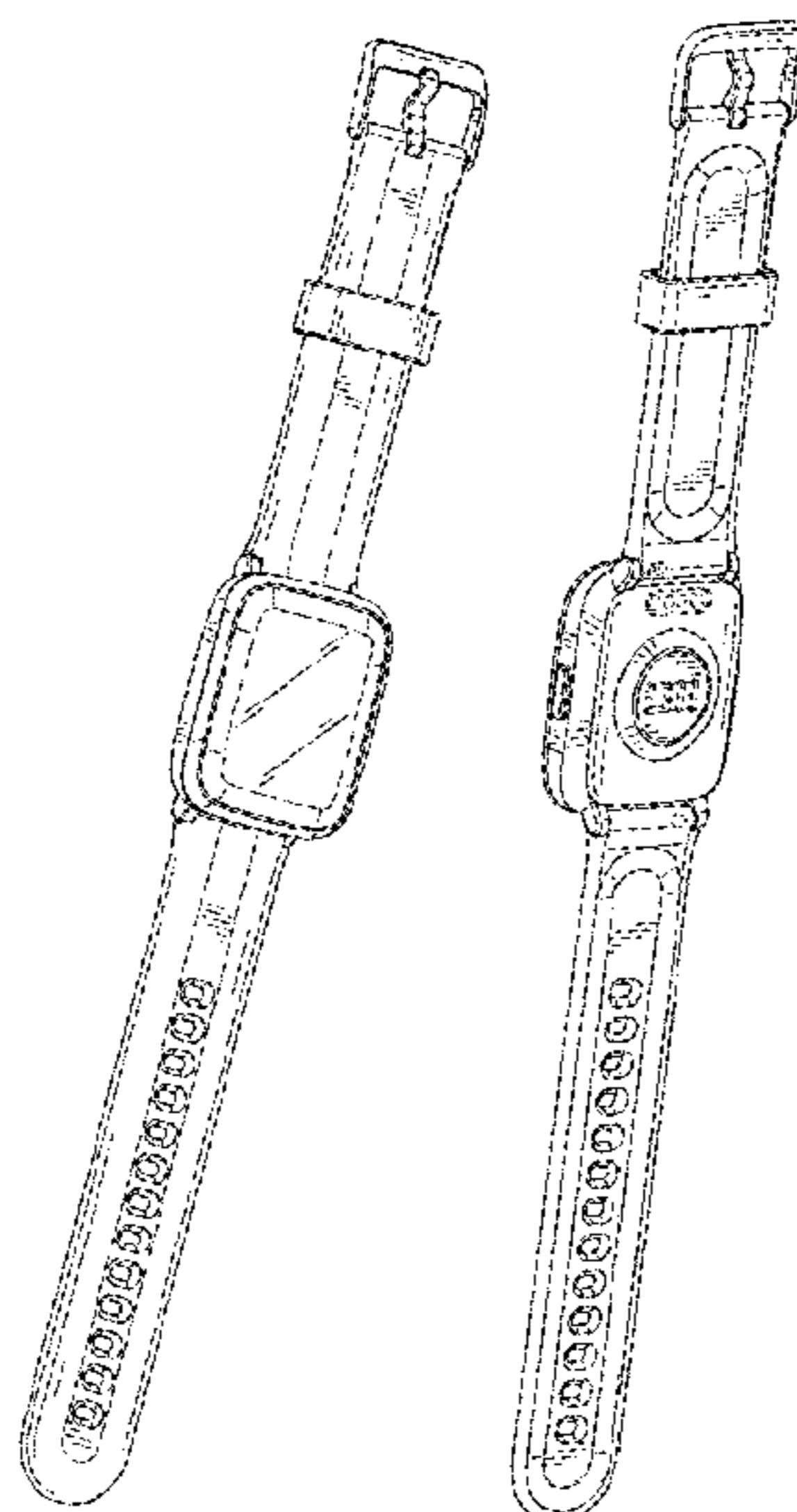
(57) **CLAIM**

The ornamental design for a smartwatch, as shown and described.

**DESCRIPTION**

FIG. 1 is a front elevational view showing my new design;  
FIG. 2 is a rear elevational view thereof;  
FIG. 3 is a left side elevational view thereof;  
FIG. 4 is a right side elevational view thereof;  
FIG. 5 is a top plan view thereof;  
FIG. 6 is a bottom plan view thereof;  
FIG. 7 is a front and left side perspective view thereof;  
FIG. 8 is a rear and right side perspective view thereof; and,  
FIG. 9 is a front and right side perspective view thereof.  
In the drawings, the broken lines depict environmental subject matter only and form no part of the claim.

**1 Claim, 8 Drawing Sheets**



(58) **Field of Classification Search**

CPC ..... H04M 1/02; H04M 1/03; H04M 1/04;  
H04M 1/05; H04M 1/667; H04M 1/6058;  
Y02B 60/1217

See application file for complete search history.

(56) **References Cited**

U.S. PATENT DOCUMENTS

D839,753	S	*	2/2019	Domke	.....	D10/30
D852,648	S	*	7/2019	Chen	.....	D10/32
D854,432	S	*	7/2019	Akana	.....	D10/70
D869,461	S	*	12/2019	Ke	.....	D14/344
D876,244	S	*	2/2020	Park	.....	D10/32
D883,977	S	*	5/2020	Akana	.....	D14/344
D900,809	S	*	11/2020	Gao	.....	D14/344
D900,810	S	*	11/2020	Ke	.....	D14/344
D901,493	S	*	11/2020	Gao	.....	D14/344
D909,369	S	*	2/2021	Wu	.....	D14/344

OTHER PUBLICATIONS

Waterproof Smart Watch T82, amazon.com, [online], [site visited Feb. 4, 2021], Available from internet URL: [https://www.aliexpress.com/item/4001315085359.html?spm=a2g0o.productlist.0.0.4da77309YInG2K&algo\\_pvid=050f7963-4f31-4956-b29f-03965002%E2%80%A6](https://www.aliexpress.com/item/4001315085359.html?spm=a2g0o.productlist.0.0.4da77309YInG2K&algo_pvid=050f7963-4f31-4956-b29f-03965002%E2%80%A6) (Year: 2020).\*

LEMFO DTX ECG Smart Watch, amazon.com, [online], [site visited Feb. 4, 2021], Available from internet URL: [https://www.aliexpress.com/item/1005001333542212.html?spm=a2g0o.productlist.0.0.4da77309YInG2K&algo\\_pvid=27708633-ab08-46bc-81e6-5d%E2%80%A6](https://www.aliexpress.com/item/1005001333542212.html?spm=a2g0o.productlist.0.0.4da77309YInG2K&algo_pvid=27708633-ab08-46bc-81e6-5d%E2%80%A6) (Year: 2020).\*

\* cited by examiner

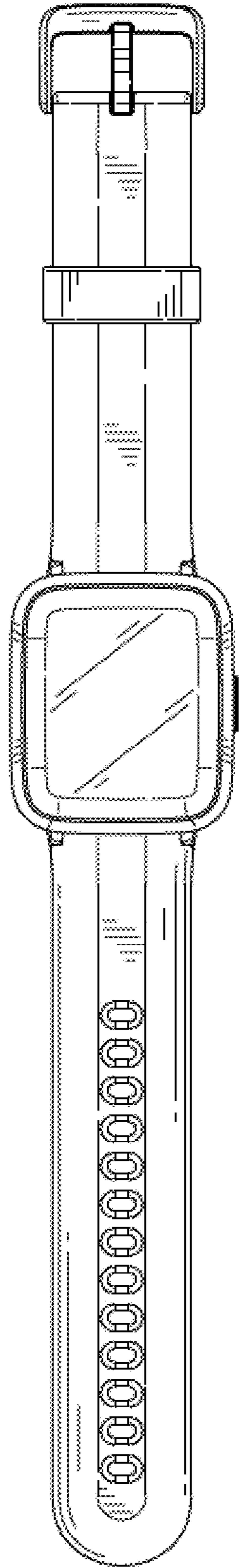


FIG. 1

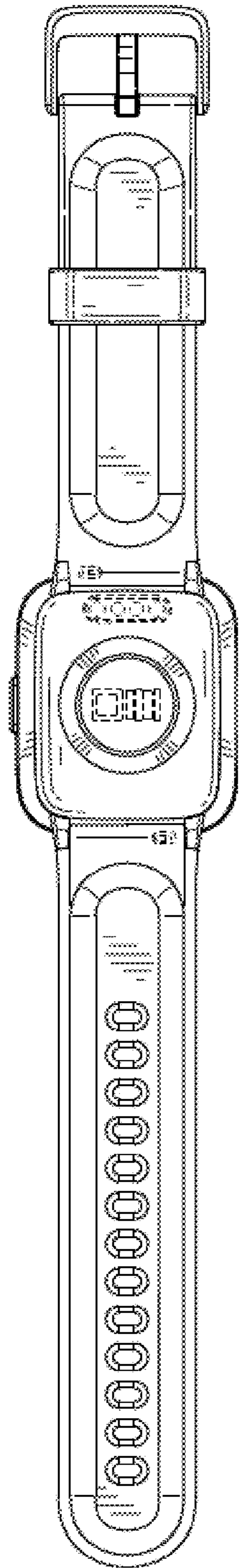


FIG. 2

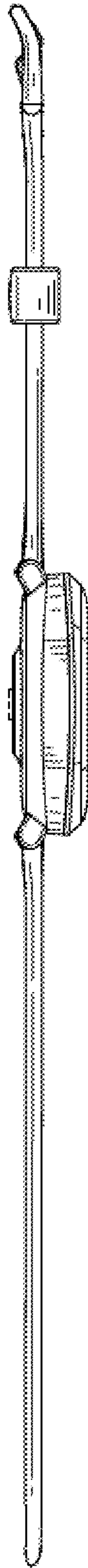


FIG. 3

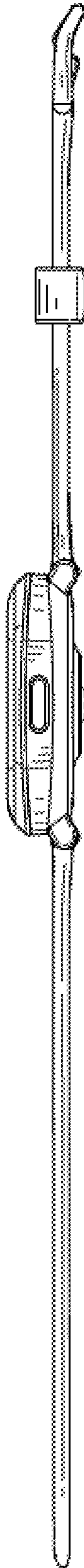


FIG. 4

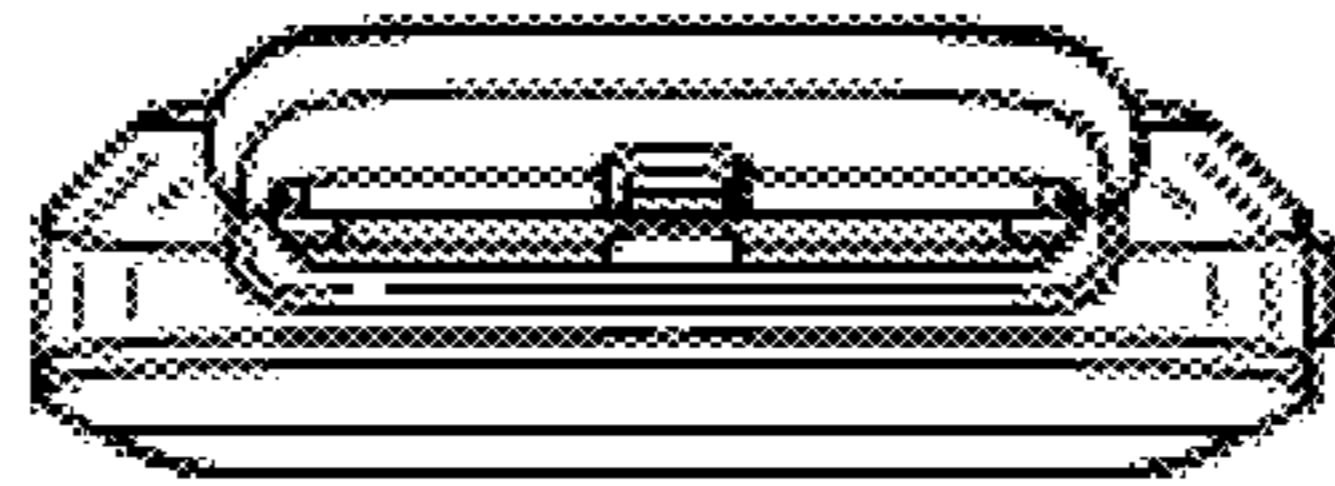


FIG. 5



FIG. 6

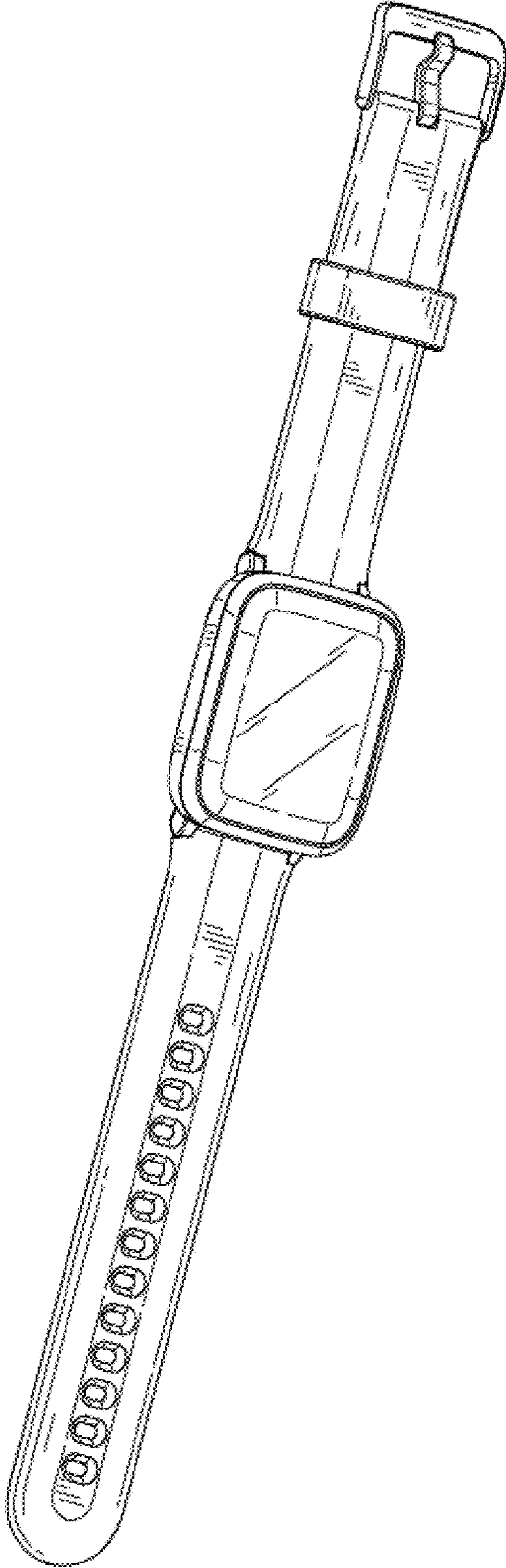


FIG. 7



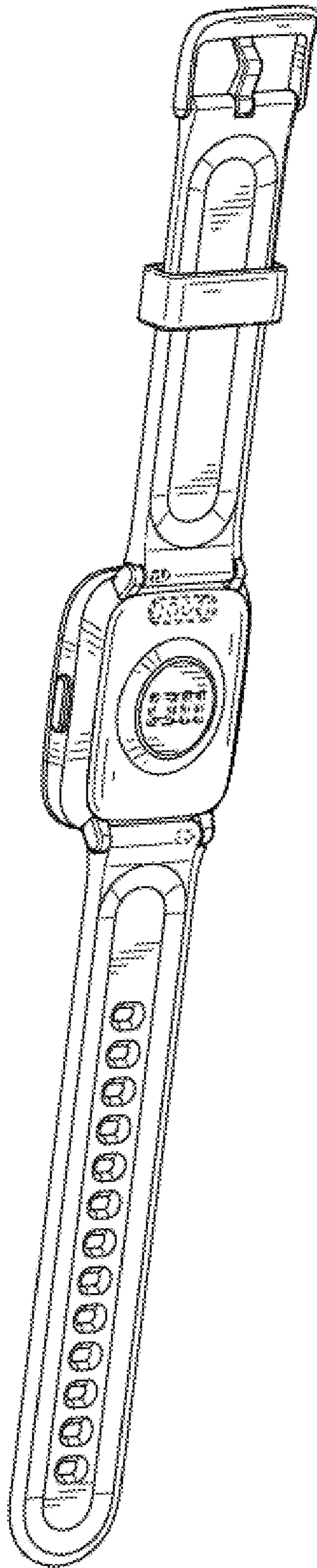


FIG. 8

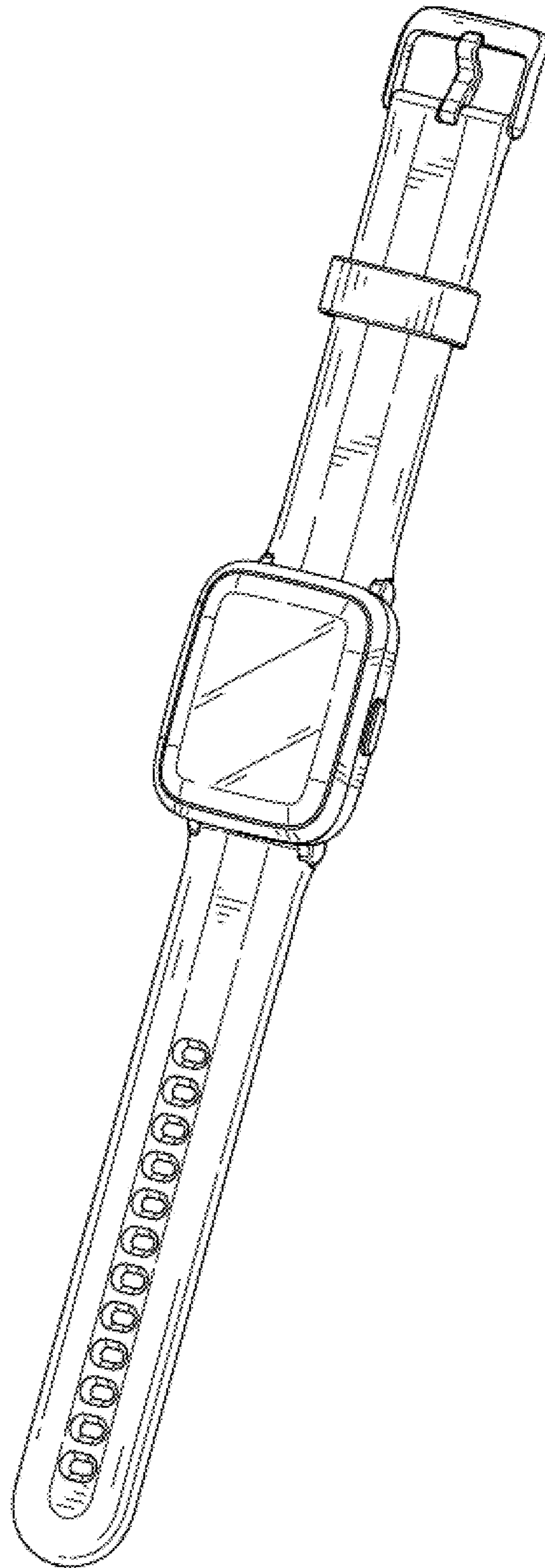


FIG. 9